

MicroMetl accessories simplify and minimize installation procedures on rooftop applications. Read these instructions completely before beginning. These installation instructions pertain to the 0537 series roofcurbs, the corresponding concentric package, ducts and diffusers.

Care must be exercised in locating the unit's roofcurb and roof opening. The HVAC system should cross enough roof supports to safely distribute the system's weight over the roof.

**Pages 1, 2..... Roofcurb instructions**

**Pages 3, 4..... Adjustable pitched curb instructions**

**Page 5..... Flexduct concentric instructions (optional)**

**Page 6..... Standard side-by-side duct instructions**

**Page 6, 7..... Hard duct concentric instructions (optional)**

*The following is a list of materials pertaining to your MicroMetl roofcurb purchase.*

### ROOFCURB LIST OF MATERIALS

MicroMetl Part Number	Height	Customer Part Number	Roofcurb Part Number	Side	End	Deckpan	Support	Gasketing
0537-008A	8"	N/A	N/A	2	2	4	2	25 ft.
0537HJ36CRB	11"	N/A	N/A					
0537-014A	14"	CRBAP14-TC0407	CRRFCURB001A00					
0537-024A	24"	N/A	CRRFCURB002A00					

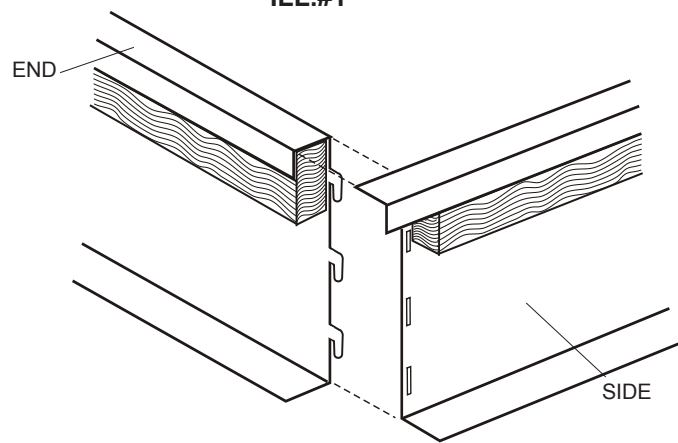
### INSTRUCTIONS:

1. Unpackage curb and locate all parts.
2. Bring together (1) curb side and (1) curb end. Insert tabs on curb end into slots on curb side. Press together until tab locks in place. It may be necessary to firmly step on top of curb end to lock tab in place. Repeat for all (4) corners.
3. If lifting curb after it has been assembled, hammer all corner tabs over to side.
4. Install (4) deck pans on compressor end of curb. Note the location of deck pan with electrical hole (next page).
5. Install (2) duct supports on duct end of curb (see next

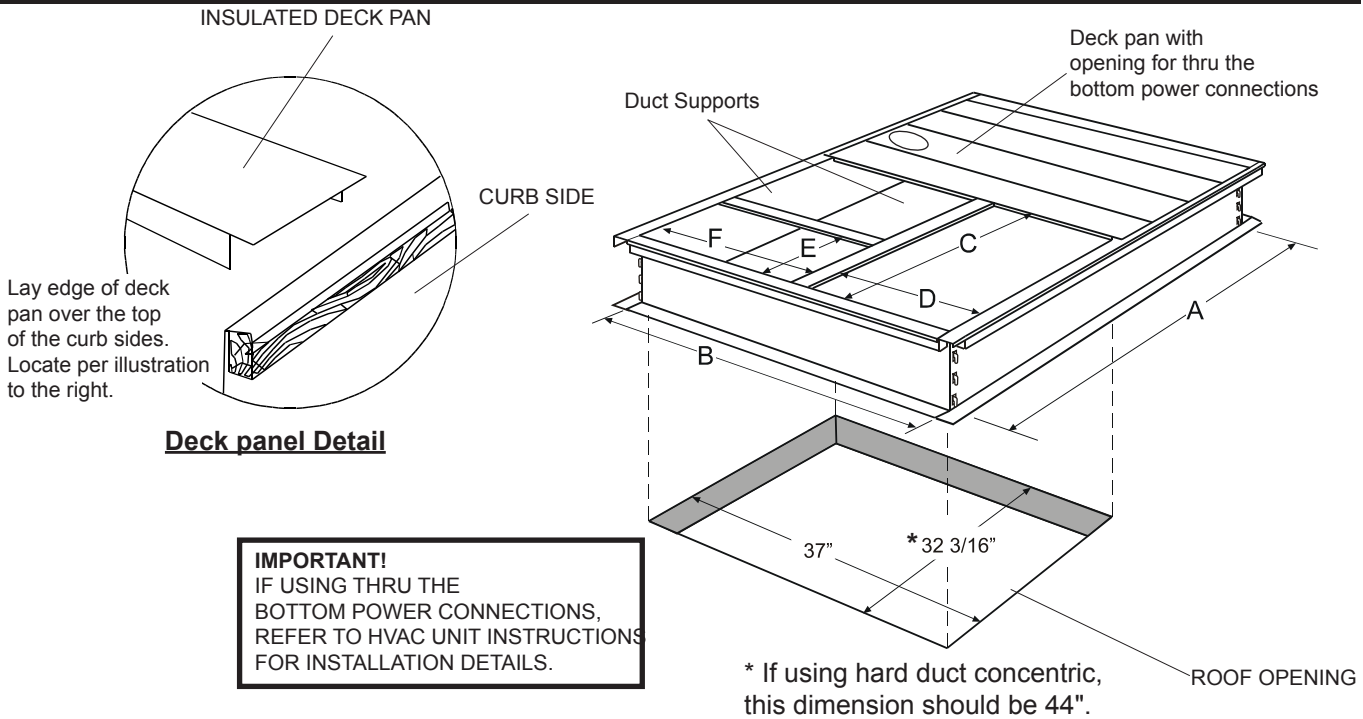
page for dimensions).

6. Square up curb by measuring diagonally across curb corners. Set curb in place over roof opening.
7. Manufacture duct and drop onto curb. Install gasketing around top perimeter of curb and around top duct flanges.

**ILL.#1**



# 0537-014A ROOFCURB ASSEMBLY



## SPECIFICATIONS (in inches)

Roofcurb Part Number	MicroMetl Curb Part Number	A	B	C	D	E	F
CRRFCURB001A00	CRBAP, 0537 Series	67 3/8"	37 3/16"	32 1/16"	13 5/8"	13 7/8"	20 1/4"

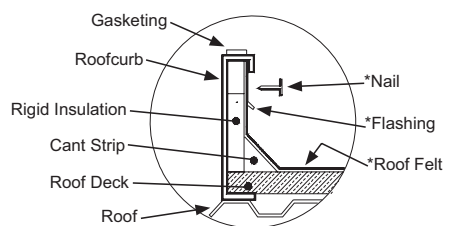
## ROOFCURB INSTALLATION

### INSTRUCTIONS:

1. Cut roof opening to specified size and place curb over opening (See above illustration).

**CAUTION:**  
Make sure curb is square.

2. Insulate and add cant strip to the curb. Follow the suggested roofing procedures or acceptable procedures for applying roofing. Be sure the roofing extends up to the tack strip and is secured under proper counter flashing. (See illustration below).



**ILL #3**  
**Roofing Detail**

# ADJUSTABLE PITCH / ADJUSTABLE HEIGHT CURBS INSTRUCTIONS

**This MicroMetl Adjustable Pitch Curb is for roofs with pitches up to 1" in 12".**

1. Unpackage roofcurb. Separate parts for top section, bottom section and decks / supports.

2. **Bottom section:** Assemble the (2) sides and (2) ends. The attachment flanges on the ends go to the inside of the sides.

Use (2) 3/4" long tek screws in each corner to assemble. The screws are inserted from outside the curb inwards.

3. **Top section:** Assemble the (2) sides and (2) ends. The attachment flanges on the ends go to the inside of the sides.

Use (3) 3/4" tek screws in each corner to assemble. The top screw will go into the wood nailer. The screws are inserted from inside the curb outward.

4. Install the deck pans and duct supports to the top of the top section. See Figure 2. Gasket the top 1 3/4" perimeter and around the duct openings.

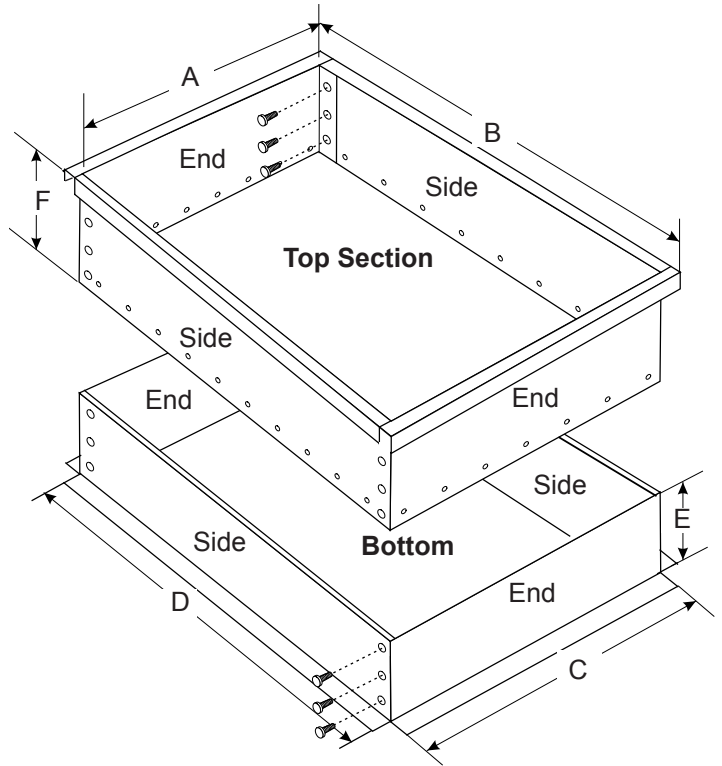


Figure 1

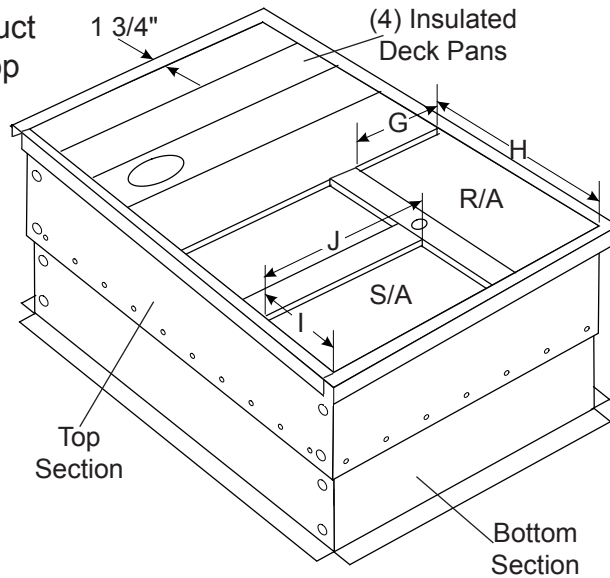


Figure 2

Table 1

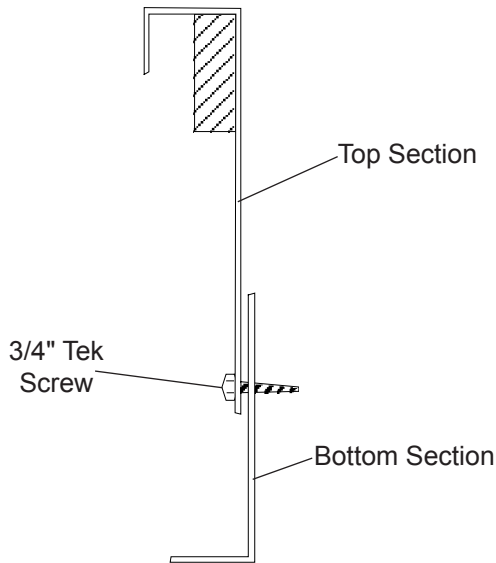
							Return		Supply	
	A	B	C	D	E	F	G	H	I	J
0537HJ36APCRB	37 3/16"	67 3/8"	36 7/8"	67"	6 1/2"	11"	13 5/8"	32 1/16"	13 7/8"	20 1/4"
AP537-102-00010						14"				
CRBAP14-TC0407						14"				

## ADJUSTABLE PITCH / ADJUSTABLE HEIGHT CURBS (CONT.)

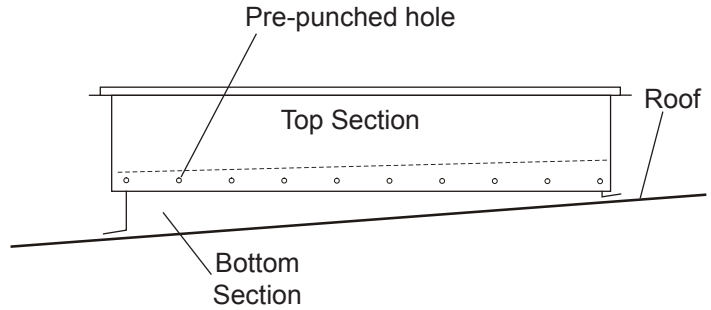
5. Locate the bottom section assembly over the roof openings. The roof opening sizes listed in the HVAC unit specifications are appropriate (unless using a hard duct type concentric diffuser package). Secure the bottom section to the roof.
6. Slide the top section over the bottom section. Level the top section and prop-up in place.

**NOTE:**

***This curb can be used on roofs with a pitch up to 1" in 12". If curb is pitched on the short side, the roof pitch can be even greater.***



**Figure 4  
Detail**



**Figure 3**

7. Through the pre-punched holes along the bottom base of the top section, insert 3/4" tek screws. This will secure the top section to the bottom section.

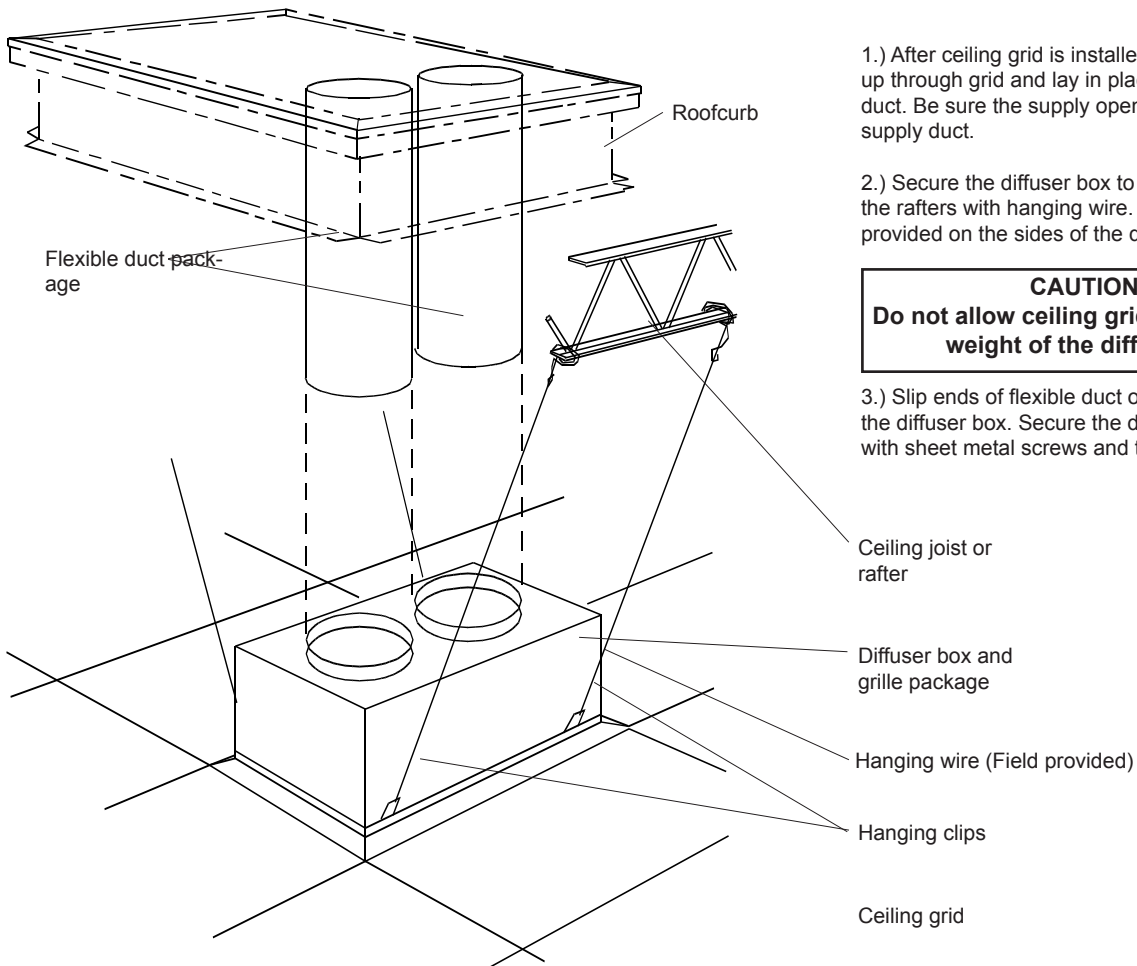
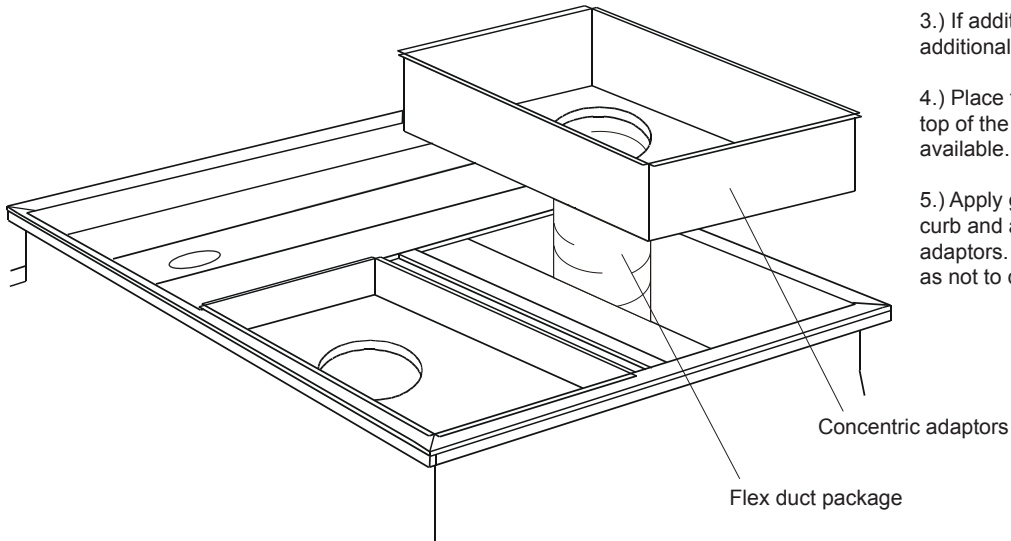
The pre-punched holes are 6" apart. **It is important that you install the screws through every hole.**

8. Roof in the curb according to the local or other appropriate codes.
9. Manufacture the supply and return duct according to the dimensions shown in Table 2.

Table 2	Duct Sizes	
	<i>Return Duct</i>	<i>Supply Duct</i>
<b>0537HJ36APCRB</b> <b>AP537-102-00010</b> <b>CRBAP14-TC0407</b>	12 13/16" x 31 1/8"	13 1/8" x 19 3/8"

## FLEX TYPE CONCENTRIC INSTALLATION

- 1.) Remove 0817-5374 concentric adaptors and flexible duct from their cartons.
- 2.) Slip flex duct over the collars on the bottom of the adaptors. Next, secure duct to collar with 3 or 4 sheet metal screws and tape.
- 3.) If additional length is necessary, attach additional ducts together with screws and tape.
- 4.) Place flexible duct and adaptor through top of the curb, then attach to diffuser box if available.
- 5.) Apply gasketing to the top perimeter of curb and across each additional side of the adaptors. Carefully set the unit on the curb so as not to damage the gasketing.



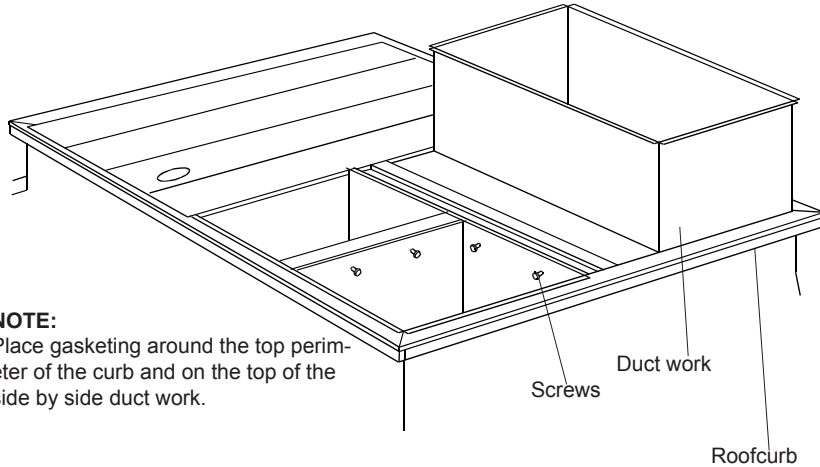
1.) After ceiling grid is installed, push diffuser box up through grid and lay in place under the flex duct. Be sure the supply opening is under the supply duct.

2.) Secure the diffuser box to the ceiling joists or the rafters with hanging wire. Hanging clips are provided on the sides of the diffuser box.

**CAUTION !**  
Do not allow ceiling grid to support the weight of the diffuser box.

3.) Slip ends of flexible duct over the collars on the diffuser box. Secure the duct to the collars with sheet metal screws and tape.

## SIDE BY SIDE DUCT INSTALLATION



**NOTE:**

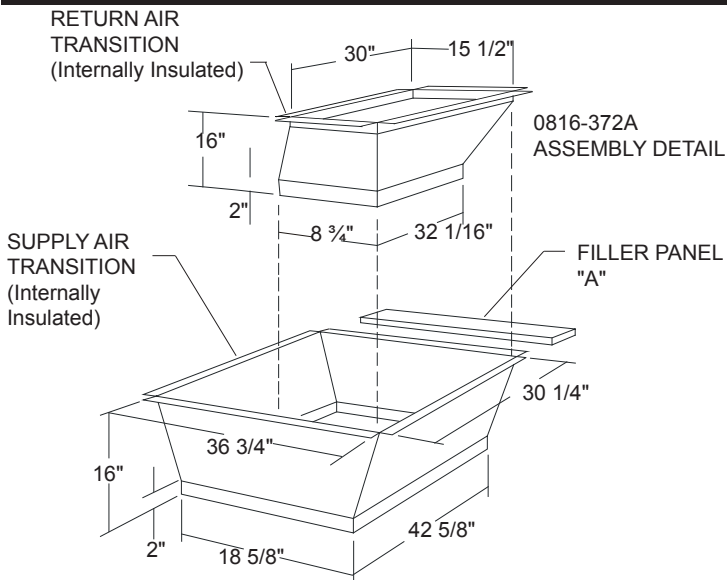
Place gasketing around the top perimeter of the curb and on the top of the side by side duct work.

- 1.) When flexible duct is not desired, metal or fiberboard duct may be installed.
- 2.) The duct must conform to all local building codes.
- 3.) The duct may be formed and hung from the top edges of the roofcurb and secured to the inside of the curb with sheet metal screws, as shown.

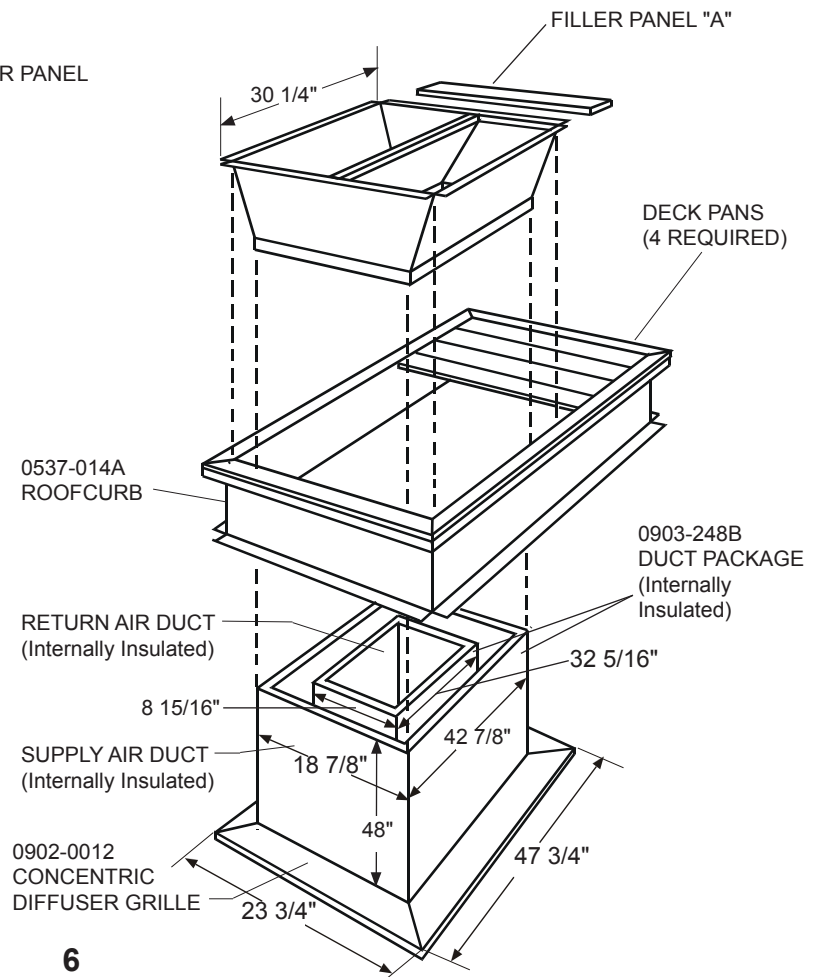
**CAUTION !**  
There must not be any screws in the top rails of the roofcurb.

- 4.) When the duct is fabricated. It should be large enough to cover the openings for the return and supply sides of the unit.

## HARD DUCT CONCENTRIC INSTALLATION



1. Assemble and locate roofcurb.
2. Assemble supply air transition per dimensions above. Insulation will be on the inside.
3. Install supply transition into roofcurb opening (as shown at right).
4. Assemble return air transition per dimensions above. Insulation will be on the inside.
5. Slide the return air transition down inside the supply transition per illustration at right. Screw in place.
6. Install filler panel "A" in curb.



# HARD DUCT CONCENTRIC INSTALLATION (CONT.)

7. If duct work is provided by Micro Metl, assemble per detail. Supply air duct is insulated on the inside. The Return air duct is insulated on the inside.

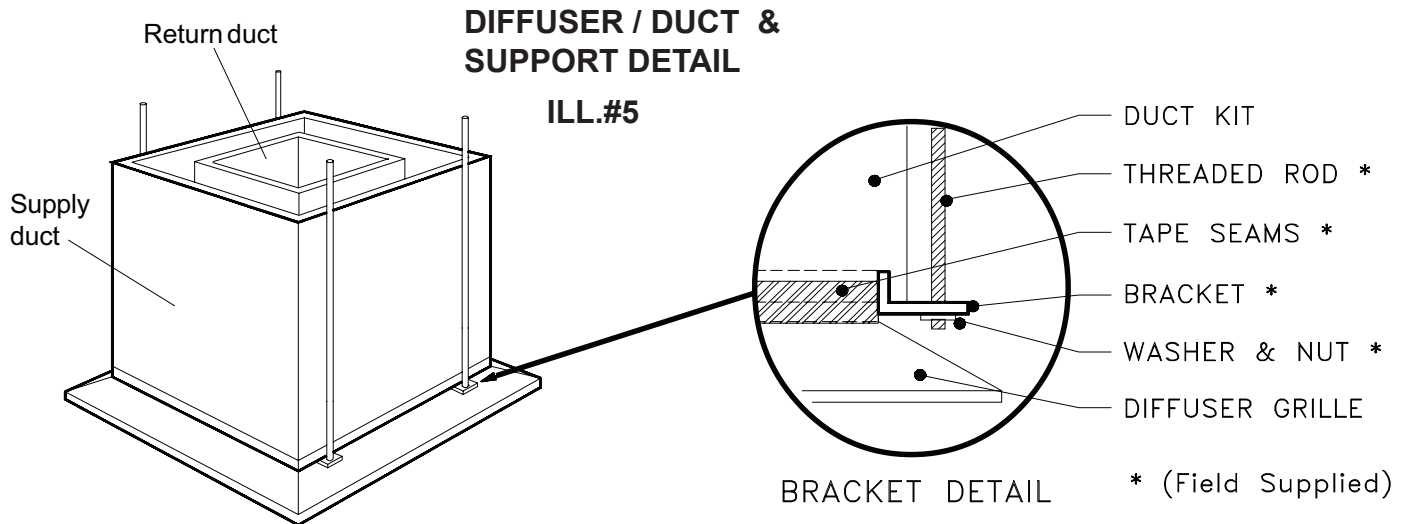
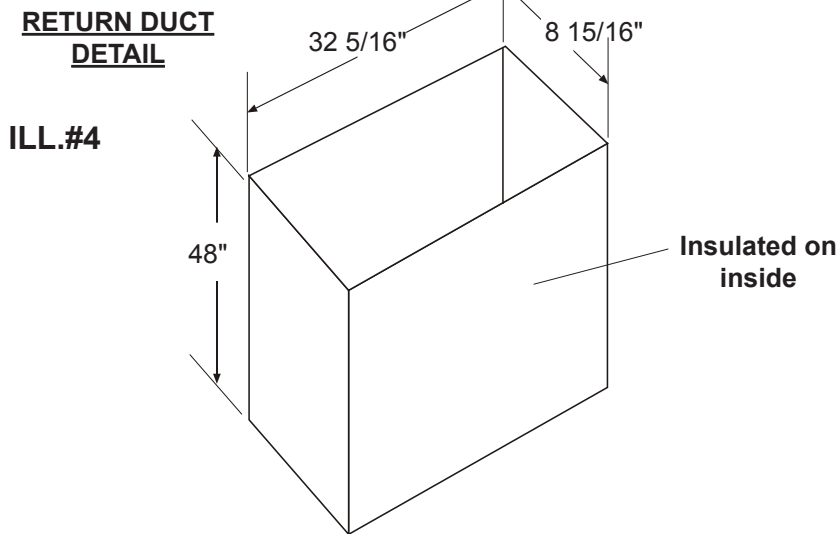
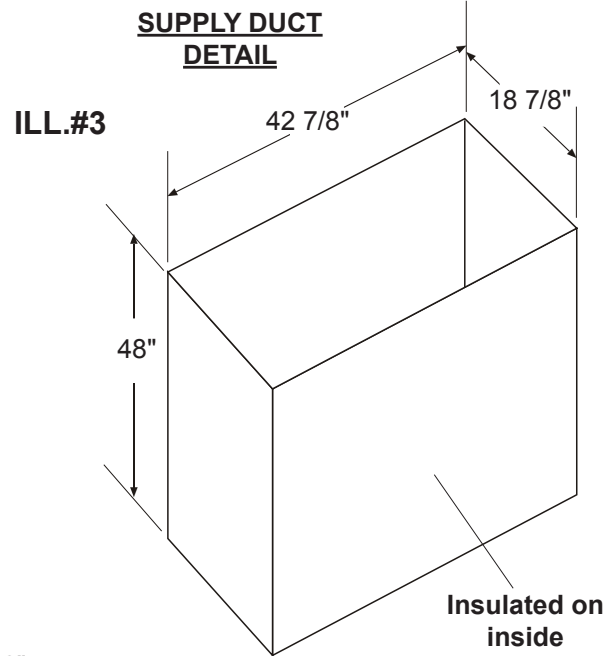
8. Duct kits may be field cut to length, as required.

9. Secure return air duct to return air collar on diffuser. Secure supply air duct to supply air collar on diffuser.

*NOTE: On flush mount diffusers return duct mounts to inside of return collar.*

10. Hoist diffuser / duct assembly into position and support as shown in Fig. #5. Attach duct to adaptor & transition. Screw and caulk in place.

11. Install gasketing on roof curb and set unit in place. Roof in curb per local codes.



**MicroMetl Indianapolis**  
3035 N. Shadeland Ave., Suite 300, Indianapolis, IN 46226

**1-800-MMC-HVAC**

**MicroMetl West**  
905 Southern Way Sparks, Nevada 89431

**1-800-884-4662**

Manufacturer reserves the right to discontinue, or change at any time, specifications, designs and prices without notice and without incurring obligations.  
Form No. 2422-5P