

Job Name/Location:

Tag #:

Date:

For:	File	Resubmit
	Approval	Other

PO No.:

Architect: GC:

Engr: Mech:

Rep: (Company) (Project Manager)



LS180HEV2
Single Zone Mega Wall Mount
Outdoor Unit (ODU) - LSU180HEV2, Indoor Unit (IDU) - LSN180HEV2

Performance:

Cooling:

Cooling Capacity (Min~Rated~Max) (Btu/h)	3,685 ~ 18,000 ~ 18,493
SEER	19.00
EER	12.00

SEER - Seasonal Energy Efficiency Ratio EER - Energy Efficiency Ratio

Heating:

Heating Capacity (Min~Rated~Max) (Btu/h)	3,685 ~ 19,000 ~ 22,997
Max. Heating @ Indoor 70°F DB	
Outdoor 19°F DB / 17°F WB	15,270
HSPF	10.0

HSPF - Heating Seasonal Performance Factor
Cooling Nominal Test Conditions: Indoor: 80°F DB / 67°F WB Outdoor: 95°F DB / 75°F WB
Heating Nominal Test Conditions: Indoor: 70°F DB / 60°F WB Outdoor: 47°F DB / 43°F WB

Electrical:

Power Supply (V/Hz/Ø)	208-230/60/1
-----------------------	--------------

Outdoor Unit:

MOP (A)	20
MCA (A)	15
Cooling Rated Amps (A)	10.4
Heating Rated Amps (A)	10.4
Compressor (A)	10.0
Fan Motor (A)	0.4

MOP - Maximum Overcurrent Protection MCA - Minimum Circuit Ampacity

Total Power Input:

Cooling Power Input (kW)	1.5
Heating Power Input (kW)	1.583

Piping:

Liquid Line (in., O.D.)	1/4
Vapor Line (in., O.D.)	1/2
Additional Refrigerant (oz./ft.)	0.26
Min. / Max. Pipe Length (ft.) ²	9.8 / 65.6
Piping Length (no add'l refig., ft.)	24.6
Max. Elevation (ft.)	32.8

Controls Features:

- 24-Hour on/off timer
- 2-Way (up / down) auto swing
- Auto changeover
- Auto restart
- Jet cool/Jet heat
- Condensate sensor connection
- Energy saving
- Inverter (variable speed compressor)
- Self-cleaning indoor coil
- Sleep mode
- Ultra quiet operation

Operating Range:

Outdoor Unit:

Cooling (°F DB)	14 ~ 118
Heating (°F WB)	14 ~ 65

Indoor Unit:

Cooling (°F WB)	53 ~ 75
Heating (°F DB)	60 ~ 86

System Data:

Refrigerant Type	R410A
Refrigerant Control	EEV
Refrigerant Charge (lbs.)	2.975
ODU Sound Pressure (Cooling / Heating) (±1 dB[A]) ³	55 / 55
IDU Sound Pressure	
Cooling (H/M/L/Sleep) (±1 dB[A]) ³	48 / 43 / 38 / 32
Heating (H/M/L) (±1 dB[A]) ³	48 / 43 / 38 / 32
ODU Net / Shipping Weight (lbs.)	98.1 / 108
IDU Net / Shipping Weight (lbs.)	26 / 30
Heat Exchanger Coating	GoldFin™

Fan:

ODU Type	Propeller
IDU Type	Cross Flow
Fan Speeds (Fan/Cool/Heat)	6 / 6 / 6
Quantity (ODU + IDU)	1 + 1
Motor/Drive	Brushless Digitally Controlled/Direct
ODU Max. Air Flow Rate (CFM)	1,730
IDU Air Flow	
Cooling, Max/H/M/L (CFM)	689 / 512 / 459 / 371
Heating, Max/H/M/L (CFM)	653 / 565 / 477 / 388
Dehumidification (pts./hr.)	3.38

Notes:

1. Acceptable operating voltage: 187V-253V.
2. Piping lengths are equivalent.
3. Sound Pressure levels are tested in an anechoic chamber under ISO Standard 3745.
4. All communication / connection (power) cable from the outdoor unit to the indoor unit is field supplied and must be a minimum of four-conductor, 14 AWG, stranded, shielded or unshielded (if shielded, it must be grounded to the chassis of the outdoor unit only), and must comply with applicable local and national codes.
5. See Engineering Manual for sensible and latent capacities.
6. Power wiring cable size must comply with the applicable local and national code.
7. The indoor unit comes with a dry helium charge.
8. This data is rated 0 ft. above sea level, with 24.6 ft. of refrigerant line and a 0 ft. level difference between outdoor and indoor units.
9. Must follow installation instructions in the applicable LG installation manual.



For a complete list of available accessories, contact your LG representative.

For continual product development, LG reserves the right to change specifications without notice.

© LG Electronics U.S.A., Inc., Englewood Cliffs, NJ. All rights reserved. "LG Life's Good" is a registered trademark of LG Corp. /www.lghvac.com

SB_SZ_Mega_WallMount_LS180HEV2_2019_08_26_112837

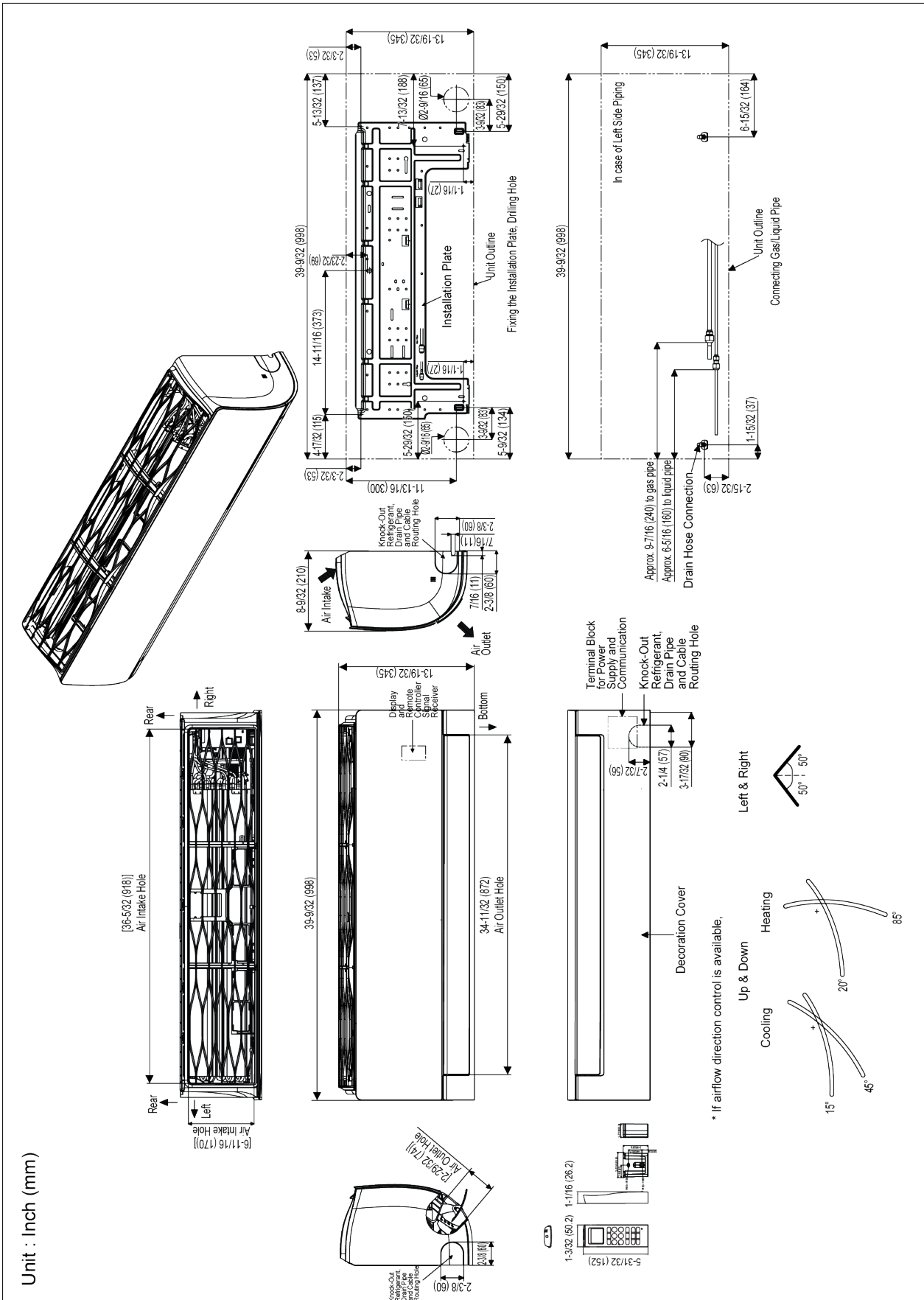
LS180HEV2
 Single Zone Mega Wall Mount
 Outdoor Unit (ODU) - LSU180HEV2, Indoor Unit (IDU) - LSN180HEV2



Tag No.: _____

Date: _____

PO No.: _____



LS180HEV2

Single Zone Mega Wall Mount

Outdoor Unit (ODU) - LSU180HEV2, Indoor Unit (IDU) - LSN180HEV2



Tag No.: _____

Date: _____

PO No.: _____

