

Submittal Data: CROWN09HP230V1A 9,000 BTU/H Wall Mounted Heat- Pump System

Job Name	Location	Date
----------	----------	------

Purchaser	Engineer
-----------	----------

Submitted To	For <input type="checkbox"/> Reference <input type="checkbox"/> Approval <input type="checkbox"/> Construction
--------------	--

Unit Designation	Schedule No.
------------------	--------------

GENERAL FEATURES

- Variable Speed (Inverter) Two-Stage Compressor
- Low Ambient Heating (down to -20° F)
- Wi Fi Controls
- 7 Indoor Fan Speeds
- 4 Way Airflow Operation
- Wireless Remote with LCD Display
- I-FEEL Function
- 5 year Limited Parts Warranty
- 7 year Limited Compressor Warranty



System Ratings	Indoor Unit Data
-----------------------	-------------------------

Cooling		
Rated Capacity		9,000 BTU/H
Capacity Range		1,535-12,966 BTU/H
Power Input (Max)		1,400 W
Dehumidification		
		1.69 pt/hr
SEER		30.5
EER		15.7

Fan Motor	Type	Cross-flow
	Output Power	20 W
	FLA	0.2 A
Airflow	(Low/High)	206/412 CFM
Air Throw	(Max)	29.5 ft
Sound Pressure Level		
	Cooling (Low/High)	22/41 db(A)
	Heating (Low/High)	22/41 db(A)
Dimensions & Weights		
	Unit Dimensions (LxHxD)	37.8 x 12.6 x 8.1-in
	Weight (Net/Shipping)	31/37 LBS

Heating at 47° F		
Rated Capacity		9,000 BTU/H
Capacity Range		2,388-13,648 BTU/H
Power Input (Max)		1,500 W
HSPF		10.5
COP		4.2

Heating at 17° F		
Rated Capacity		5,500 BTU/H
Capacity (Max)		9,180 BTU/H
Power Input (Max)		1,009 W
COP		2.8

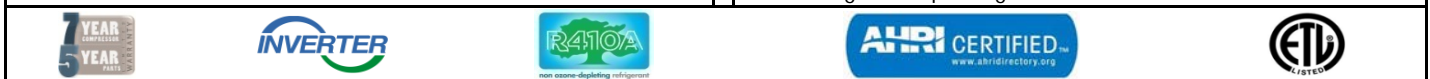
Operating Range		
Cooling	(Max)	129°F (54 C)
	(Min)	0°F (-18 C)
Heating	(Max)	75°F (24 C)
	(Min)	-22°F (-30 C)

Power Supply		
Normal Operational Voltage		208/230 V, 1 Phase, 60 Hz
Voltage Range		187 - 253 V
Main Power Wire Size		14-2 AWG
Interconnecting Cable Wire Size		14-4 AWG
MCA		12 A
MOCP/Breaker Size		15 A

Outdoor Unit Data

Refrigerant Type	R410A	
Compressor	Type	DC Inverter Driven 2-Stage Rotary
	FLA	8.5A
Fan Motor	Output Power	30 W
	FLA	0.36 A
Sound Pressure	53 db(A)	
Dimensions & Weights		
	Unit Dimensions (LxHxD)	35.4 x 23.5 x 14.9-in
	Weight (Net/Shipping)	99/106 LBS

Refrigerant Piping Data		
	Gas Pipe Size (OD)	1/2-in
	Liquid Pipe Size (OD)	1/4-in
	Connection Method	Flared
	Max Refrigerant Pipe Length	49-ft
	Min Refrigerant Pipe Length	10-ft
	Min Refrigerant Pipe Height Difference	33-ft



COOLING PERFORMANCE (BtuH)*

Outdoor Ambient Temperature (DB)	Indoor Entering Air Temperatures							
	65°F DB		68°F DB		73°F DB		79°F DB	
	55°F WB		57°F WB		61°F WB		64°F WB	
	TC	SHC	TC	SHC	TC	SHC	TC	SHC
5°F	5,030	3,940	5,480	4,290	5,810	4,560	6,200	4,860
14°F	5,240	4,110	5,740	4,500	6,070	4,760	6,480	5,080
23°F	5,850	4,590	6,290	4,930	6,730	5,280	7,170	5,620
32°F	6,160	4,840	6,630	5,190	7,090	5,560	7,550	5,920
41°F	6,470	5,080	6,970	5,450	7,450	5,840	7,930	6,220
50°F	6,780	5,330	7,310	5,710	7,810	6,120	8,310	6,520
59°F	7,100	5,570	7,630	5,980	8,160	6,400	8,690	6,820
68°F	8,100	6,350	8,640	6,780	9,180	7,200	9,540	7,480
77°F	8,000	6,270	8,540	6,700	9,080	7,120	9,450	7,410
86°F	7,580	5,940	8,120	6,370	8,660	6,790	9,090	7,130
95°F	7,150	5,610	7,680	6,030	8,220	6,450	8,750	6,870
104°F	6,770	5,310	7,310	5,730	7,850	6,150	8,380	6,570
113°F	6,400	5,020	6,940	5,440	7,470	5,860	8,010	6,280
122°F	6,210	4,870	6,750	5,290	7,200	5,650	7,740	6,070

HEATING PERFORMANCE (BtuH)*

Outdoor Ambient Temperature (DB)	Indoor Entering Air Temperatures							
	65°F DB		68°F DB		73°F DB		79°F DB	
	55°F WB		57°F WB		61°F WB		64°F WB	
	TC	SHC	TC	SHC	TC	SHC	TC	SHC
-22°F	8,330	8,330	8,080	8,080	8,000	8,000	7,920	7,920
-4°F	8,710	8,710	8,450	8,450	8,360	8,360	8,280	8,280
0°F	9,280	9,280	9,000	9,000	8,910	8,910	8,820	8,820
6°F	9,470	9,470	9,180	9,180	9,090	9,090	9,000	9,000
10°F	9,470	9,470	9,180	9,180	9,090	9,090	9,000	9,000
16°F	9,470	9,470	9,180	9,180	9,090	9,090	9,000	9,000
19°F	9,470	9,470	9,180	9,180	9,090	9,090	9,000	9,000
24°F	9,470	9,470	9,180	9,180	9,090	9,090	9,000	9,000
32°F	9,470	9,470	9,180	9,180	9,090	9,090	9,000	9,000
41°F	9,470	9,470	9,180	9,180	9,090	9,090	9,000	9,000
43°F	9,470	9,470	9,180	9,180	9,090	9,090	9,000	9,000
47°F	9,470	9,470	9,180	9,180	9,090	9,090	9,000	9,000
53°F	9,570	9,570	9,280	9,280	9,180	9,180	9,090	9,090
59°F	9,780	9,780	9,490	9,490	9,390	9,390	9,300	9,300
64°F	9,990	9,990	9,690	9,690	9,590	9,590	9,500	9,500
70°F	10,180	10,180	9,870	9,870	9,770	9,770	9,680	9,680
75°F	10,320	10,320	10,010	10,010	9,910	9,910	9,810	9,810
78°F	10,420	10,420	10,100	10,100	10,000	10,000	9,900	9,900
78°F	10,420	10,420	10,100	10,100	10,000	10,000	9,900	9,900

* Maximum system capacity

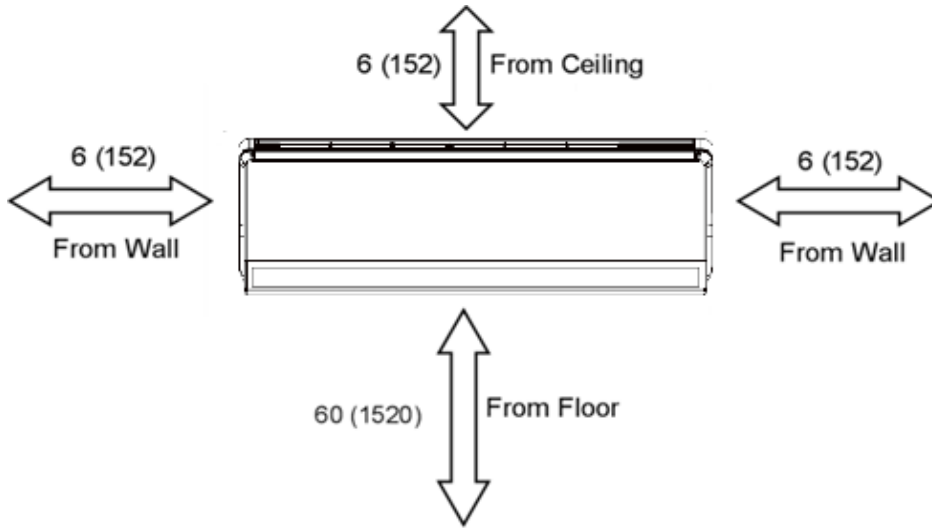
TC- Total Capacity (BtuH)
 SHC- Sensible Capacity (BtuH)



MINIMUM SPACING REQUIREMENTS

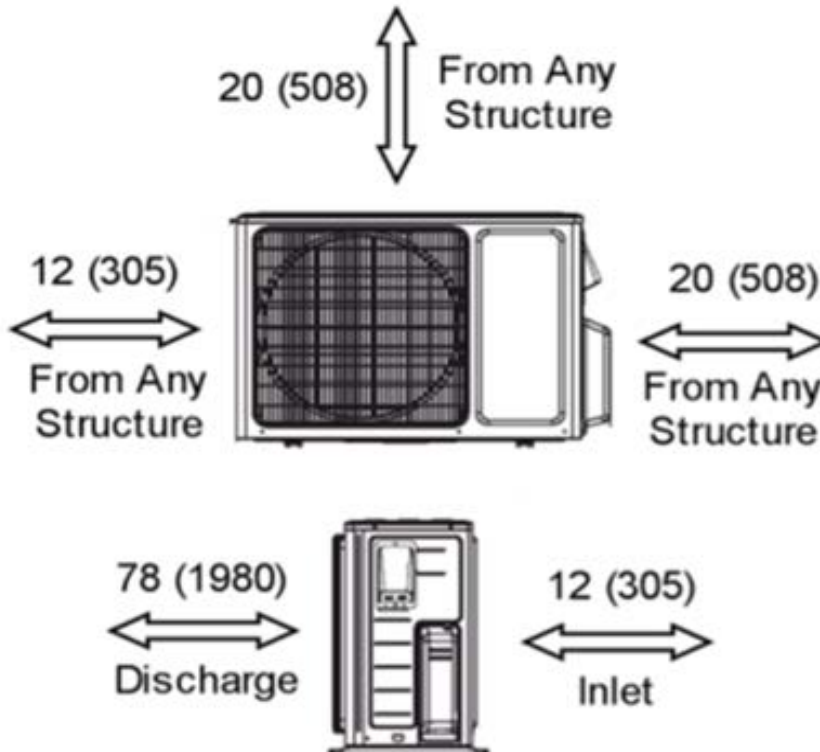
Units: inch (mm)

INDOOR



Units: inch (mm)

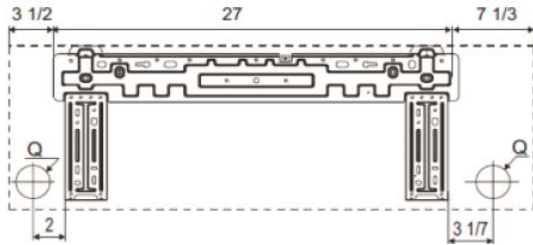
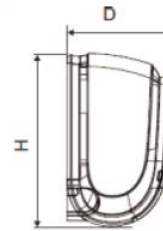
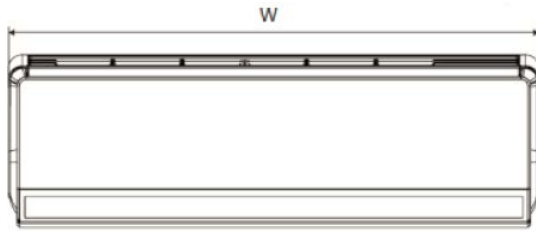
OUTDOOR



INDOOR UNIT DIMENSIONS

Units: inch

Model No: CROWN09HP230V1AH

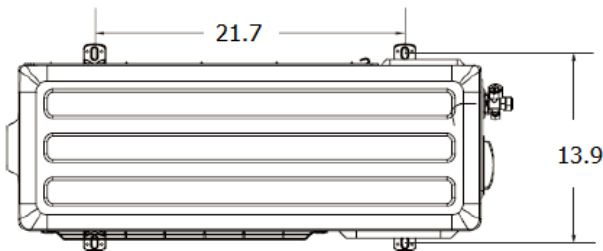
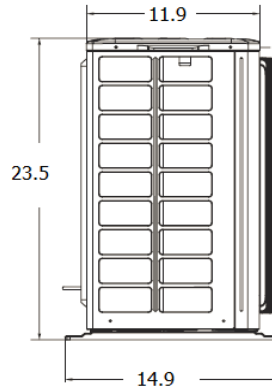
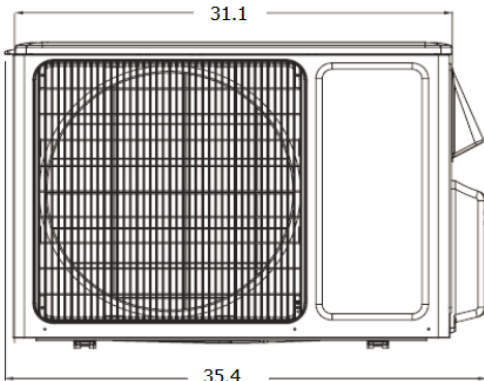


Liquid Line Valve	1/4-in OD Flared
Gas Line Valve	1/2-in OD Flared
Drain Connector	5/8-in OD

OUTDOOR UNIT DIMENSIONS

Units: inch

Model No: CROWN09HP230V1AO



Liquid Line Valve	1/4-in OD Flared
Gas Line Valve	1/2-in OD Flared

Notes:

1. Recommended Interconnecting Cable Type Stranded Bare Copper Conductors THHN 600V Wire
2. Power wiring cable size must comply with applicable national and local codes.
3. Test conditions are based on AHRI 210/240.



Specifications are subject to change without notice. Manufacturer reserves the right to discontinue or modify specifications or designs without notice or without incurring obligations. All rights reserved.