

KSACN0101AAA

**Wired Remote Controller (with Timer Function)
For Ductless Systems**

Installation Instructions




NOTE: Read the entire instruction manual before starting the installation.

TABLE OF CONTENTS

	PAGE
SAFETY CONSIDERATIONS	2
COMPATIBILITY TABLE	5
INSTALLATION	7
PART LIST	8
DIMENSIONS	9
CONNECTION DIAGRAM	9
INSTALLATION	10

SAFETY CONSIDERATIONS

Read these instructions thoroughly and follow all warnings or cautions included in the literature and attached to the unit. Consult local building codes and National Electrical Code (NEC) for special requirements. Recognize safety information.

This is the safety-alert symbol . When you see this symbol on the unit and in instructions or manuals, pay attention to the potential for personal injury. Understand these signal words: DANGER, WARNING, and CAUTION. These words are used with the safety-alert symbol. DANGER identifies the most serious hazards which will result in severe personal injury or death. WARNING signifies hazards which could result in personal injury or death. CAUTION is used to identify unsafe practices which may result in minor personal injury or product and property damage. NOTE is used to highlight suggestions which **will** result in enhanced installation, reliability, or operation.



WARNING

INSTALLATION

Entrust the distributor or authorized professionals to install the unit. Installation by unskilled persons may lead to improper installation, electric shock, or fire. Re-installation must be performed by authorized professionals. Non-compliance may lead to electric shock or fire.



CAUTION

EQUIPMENT DAMAGE HAZARD

Failure to follow this warning may result in equipment damage. Do not install the wired controller in an area subjected to excessive steam, oil, or sulfide gas. Doing so may cause the controller to deform and/or fail.



WARNING

ELECTRICAL SHOCK HAZARD

Failure to follow this warning could result in personal injury or death.

Before beginning any modification or installation of this kit, be sure the main electrical disconnect is in the OFF position. Ensure power is disconnected to the fan coil unit.

On some systems both the fan coil and the outdoor unit may be on the same disconnect. Tag the disconnect switch with a suitable warning label. There may be more than one disconnect.

COMPATIBILITY TABLE

Table 1 – Compatibility

INDOOR UNIT		
HIGH WALL	40MAQB09B--1	619PAQ009BBMA
	40MAQB12B--1	619PAQ012BBMA
	40MAQB09B--3	619PEQ009BBMA
	40MAQB12B--3	619PEQ012BBMA
	40MAQB18B--3	619PEQ018BBMA
	40MAQB24B--3	619PEQ024BBMA
	40MAQB30B--3	619PEQ030BBMA
	40MAQB36B--3	619PEQ036BBMA
CASSETTE	40MBQB09C--3	619REQ009CBMA
	40MBQB12C--3	619REQ012CBMA
	40MBQB18C--3	619REQ018CBMA
DUCTED	40MBQB09D--3	619REQ009DBMA
	40MBQB12D--3	619REQ012DBMA
	40MBQB18D--3	619REQ018DBMA
	40MBQB24D--3	619REQ024DBMA
	40MBQB36D--3	619REQ036DBMA
	40MBQB48D--3	619REQ048DBMA
FLOOR CONSOLE	40MBQB09F--3	619REQ009FBMA
	40MBQB12F--3	619REQ012FBMA
HIGH WALL	40MFC009---1	DHCMA-S109-1AAA
	40MFC012---1	DHCMA-S112-1AAA
	40MFC012---3	DHCMA-S112-3AAA
	40MFC018---3	DHCMA-S118-3AAA
	40MFC022---3	DHCMA-S122-3AAA
	40MFQ009---1	DHQMA-S109-1AAA
	40MFQ012---1	DHQMA-S112-1AAA
	40MFQ012---3	DHQMA-S112-3AAA
	40MFQ017---3	DHQMA-S117-3AAA
	40MFQ022---3	DHQMA-S122-3AAA
HIGH WALL	40MKCB18B--3	
	40MKCB22B--3	
	40MKCB28B--3	
	40MKCB32B--3	
	40MKCB32B--3	
	40MKCB32B--3	
	40MKQB24B--3	
40MKQB28B--3		

COMPATIBILITY TABLE (CONT)

INDOOR UNIT	
CASSETTE	40MKCB18C--3
	40MKCB34C--3
	40MKCB34C--3
	40MKCB34C--3
	40MKCB34C--3
	40MKCB34C--3
	40MKQB34C--3
	40MKQB34C--3
	40MKQB34C--3
	40MKQB34C--3
	40MKQB34C--3
	40MKQB34C--3
UNDERCEILING - FLOOR CONSOLE	40MKCB18F--3
	40MKCB34F--3
	40MKCB34F--3
	40MKCB34F--3
	40MKCB34F--3
	40MKCB34F--3
	40MKCB54F--3
	40MKCB54F--3
	40MKCB54F--3
	40MKCB54F--3
	40MKCB54F--3
	40MKCB54F--3
	40MKCB54F--3
	40MKCB54F--3
	40MKCB54F--3
	40MKCB54F--3
	40MKQB36F--3
	40MKQB36F--3
40MKQB36F--3	
40MKQB36F--3	
40MKQB36F--3	
40MKQB48F--3	
40MKQB48F--3	
40MKQB48F--3	

INSTALLATION

Installation precautions for the wired remote controller:

- Do not install in a location near heavy oil, vapor or sulfurated gas otherwise this product will deform which will lead to a system malfunction.
- Do not install the unit in a location near flammable gas leaks. Once flammable gases leak and are left near the wired controller, a fire may occur. Do not operate with wet hands. Do not allow water to enter the wired controller otherwise an electric shock may occur.
- The wiring should conform to the wired controller current otherwise electric leakage or heating may occur which may result in fire. Use the correct cables for wiring. No external force may be applied to the terminal otherwise wire cuts and heating may occur and result in a fire.
- This manual contains the installation method for the wired controller. Refer to the wiring diagram in this manual to connect the wired controller to the indoor unit.
- The wired controller operates in a low voltage loop circuit. Do not connect the 208–230V power directly to the thermostat. Do not wire this type of wire in the same loop. The wiring clearance between the configured tubes should maintain a range of 12 – 20 inches (305–508mm) or more.
- The wired controller shielded wire must be well grounded.
- The wired controller connective cable should not be longer than 66 feet (20 meters).

This manual provides a detailed description of the precautions that should be taken during operation. To ensure correct service of the wired controller, read this manual carefully before using the unit. After reading this manual thoroughly, keep it for future reference.

PARTS LIST

Kit Contents: Confirm that all the following parts are included.

Table 2 – Supplied Parts

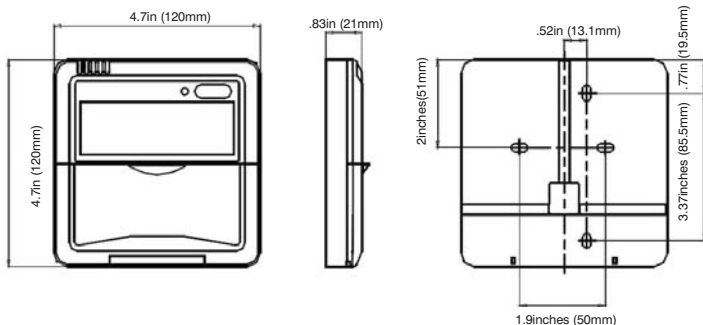
No.	DESCRIPTION	Qty.	REMARKS
1	Wired Remote Controller	1	n/a
2	Installation and owner's manual	1	n/a
3	Screws	3	M4X20 (for mounting on the wall)
4	Wall plugs	3	For wall mounting
5	Screws	2	M4X25 (for mounting on the wall)
6	Plastic screw bars	2	For fixing on the switch box
7	The connective wires group	1	24AWG

Field Supplied Components: Prepare the following on site.

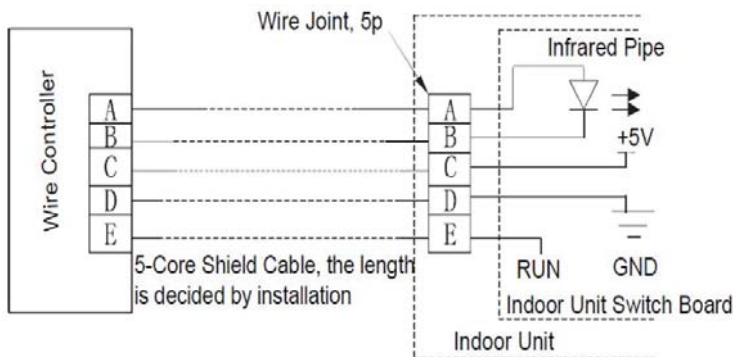
Table 3 – Field Supplied Components

DESCRIPTION	Qty.	TYPE	REMARKS
Switch Box	1	n/a	n/a
Wiring Tube (insulating sleeve and tightening screw)	1	n/a	n/a

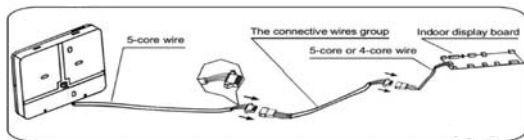
DIMENSIONS



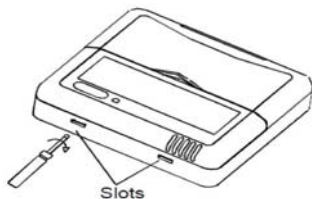
CONNECTION DIAGRAM



INSTALLATION



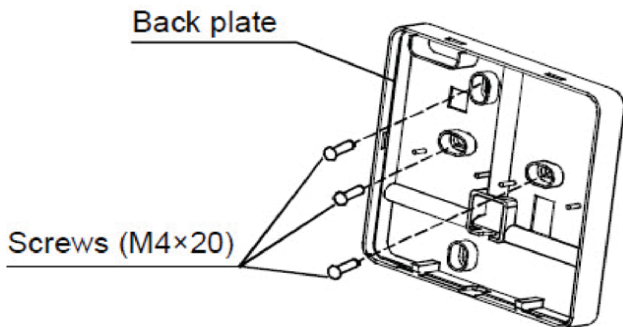
1. Connect the female joint of the wires group from the main board to the male joint of the connective wires group.
2. Connect the other side of the connective wires group with the male joint of the wires group leads from the wired controller.
3. Remove the upper part of the wired controller.
4. Insert a slot screwdriver into the slots of the lower part of the wired controller (2 places), and remove the upper controller.



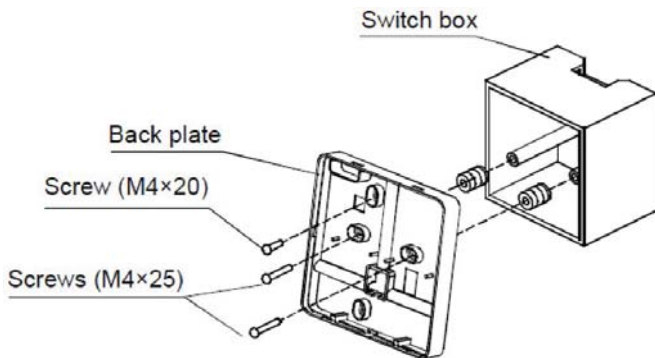
WARNING

The PCB is mounted in the upper part of the wired controller. Be careful not to damage the board with the slot screwdriver.

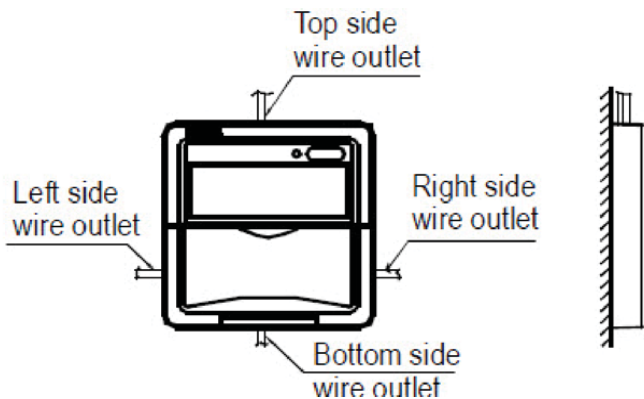
5. Fasten the back plate of the wired controller.
6. For exposed mounting, fasten the back plate on the wall with the 3 screws (M4x20) and plugs.



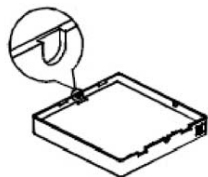
7. For flush-mounting, fasten the back plate of the switch box with 2 screws (M4x25) and then fasten it to the wall with 1 screw (M4x20).



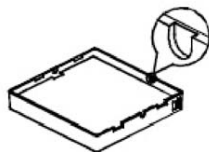
NOTE: Place on a flat surface. Be careful not to distort the back plate of the wired controller by over tightening the mounting screws.



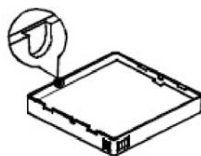
8. For exposed mounting there are four outlet positions and three require cutting.



Cutting place of top side wire outlet

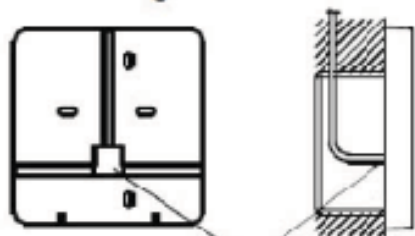


Cutting place of left side wire outlet



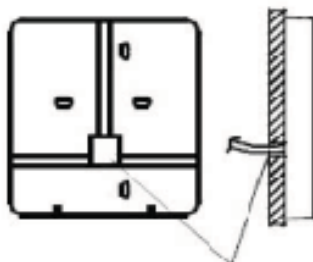
Cutting place of right side wire outlet

Embedded switch box wiring



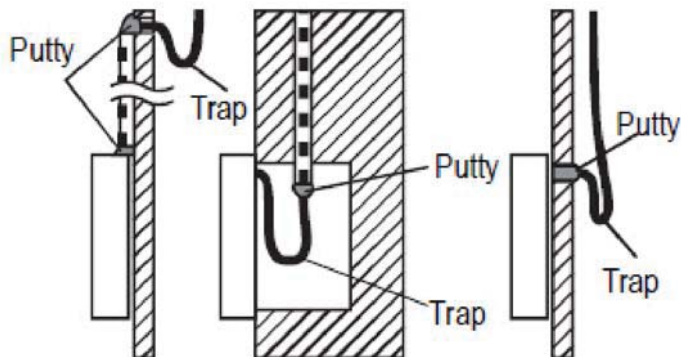
Wiring hole

Wiring through the wall



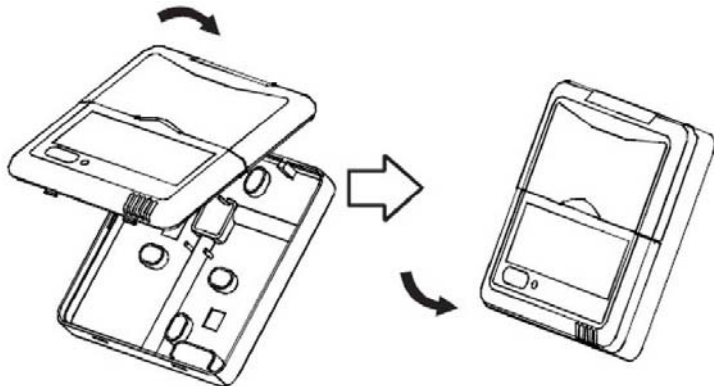
Wall hole and wiring hole

Diameter of wall hole : 0.75 in (20mm)



NOTE: To keep water from entering the wired remote controller, use a trap and putty to seal the wired connectors during the wiring installation. During installation, reserve a certain length of the connecting wire to make removing the wired remote controller easier during maintenance.

9. Re-attach the upper part of the wired controller.
10. After adjusting the upper case, buckle the upper case. Avoid clamping the wiring during installation.



NOTE: The pictures in this manual are for illustration purposes only. Your wired controller may differ slightly.