

**Rooftop Units
Gas Heating/Electric Cooling
3 to 12¹/₂ Tons
Flue Discharge Deflector Accessory**

Installation Instructions

Part No. CRFLUEDS001A00

CONTENTS

	Page
PACKAGE CONTENTS	1
MODEL USAGE	1
SAFETY CONSIDERATIONS	1
INSTALLATION	1-3
3 to 12-1/2 Ton Units with R-410A Refrigerant	1
3 to 12-1/2 Ton Units with R-22 Refrigerant Produced After April 3, 1995	2
SERVICE	2

IMPORTANT: Read these instructions completely before attempting to install this accessory.

PACKAGE CONTENTS

QTY	CONTENTS
1	Flue Stack
2	Mounting Brackets
6	10 -16 x 1 in. Self-Drilling Screws
1	Adapter Plate (Part no. 50HJ502222)
1	Adapter Plate (Part no. 50HJ502223)

MODEL USAGE

ACCESSORY PART NUMBER	USAGE
CRFLUEDS001A00	48TC*04-14
	48HC*04-12
	48LC*04-07
	48KC*04-06
	580J*04-14
	581J*04-12
	582J*04-06
	RGS036-150
	RGH036-120
	RGX036-060


NOTE: This accessory can only be installed on units produced after January 1992.

SAFETY CONSIDERATIONS

Installation and servicing of air-conditioning equipment can be hazardous due to system pressure and electrical components. Only trained and qualified service personnel should install, repair, or service air-conditioning equipment.

Untrained personnel can perform the basic maintenance functions. All other operations should be performed by trained service personnel. When working on air-conditioning equipment, observe precautions in the literature, tags, and labels attached to the unit, and other safety precautions

that may apply. Follow all safety codes. Wear safety glasses and work gloves.

Recognize safety information. This is the safety-alert symbol . When you see this symbol on the unit and in instructions or manuals, be alert to the potential for personal injury.

Understand the signal words DANGER, WARNING, and CAUTION. These words are used with the safety-alert symbol. DANGER identifies the most serious hazards which **will** result in severe personal injury or death. WARNING signifies a hazard which **could** result in personal injury or death. CAUTION is used to identify unsafe practices which **may** result in minor personal injury or product and property damage. NOTE is used to highlight suggestions which **will** result in enhanced installation, reliability, or operation.

⚠ WARNING

ELECTRICAL SHOCK HAZARD

Failure to follow this warning could result in personal injury and/or death.

Before beginning any modification, be certain that the main-line electrical disconnect switch is in the OFF position. Close the main gas supply shutoff valve. Tag disconnect switch and gas valve with suitable warning labels.

⚠ CAUTION

CUT HAZARD

Failure to follow this caution may result in personal injury. Sheet metal parts may have sharp edges or burrs. Use care and wear appropriate protective clothing, safety glasses, and gloves when handling parts and servicing furnaces.

INSTALLATION

3 to 12¹/₂ Ton Units with R-410A Refrigerant

1. Remove first screw from bottom of center post on unit. Save screw for later use.
2. Small Chassis Units (length 74-3/8 in. [1888 mm])
Install adapter plate (part no. 50HJ502223 — see Fig. 1) by sliding it over the existing flue duct. Secure the adapter plate using the screw removed by Step 1. Screw should be installed through hole in adapter plate.

All Other Units

Install adapter plate (part no. 50HJ502222 — see Fig. 1) by sliding it over the existing flue duct. Secure the

adapter plate using the screw removed in Step 1. Screw should be installed through hole in adapter plate.

NOTE: Part no. 50HJ502222 has larger diameter "A" holes than part no. 50HJ502223.

3. Attach mounting brackets to flue stack. See Fig. 2. **Bracket A** — Position as shown in Fig. 2. Remove fourth screw from top of flue stack and save. Fasten the bracket to the flue stack with screw that was just removed. The slotted portion of the bracket should be pointed away from the installer.

Bracket B — Position as shown in Fig. 2. Remove top screw from the flue stack and save. Fasten the bracket to the flue stack with screw that was just removed. The slotted portion of the bracket should be pointed away from the installer.

4. Remove the two screws in the center post that are attached to the top cover. Remove the second screw from the bottom on the center post. Save all screws. See Fig. 3.

5. Mount the flue discharge deflector to unit by fastening the horizontal leg of the flue stack to the adapter plate using three supplied no. 10 self-drilling screws. Line up the slots in brackets A and B with the holes from the screws removed in Step 4. Reinstall screws from Step 4.

3 to 12¹/₂ Ton Units with R-22 Refrigerant Produced After April 3, 1995

1. Remove first screw from bottom of center post on unit. Save screw for later use.

2. 3 to 6 Ton Units

Install adapter plate (part no. 50HJ502223 — see Fig. 1) by sliding it over the existing flue duct. Secure the adapter plate using the screw removed by Step 1. Screw should be installed through hole in adapter plate.

All Other Units

Install adapter plate (part no. 50HJ502222 — see Fig. 1) by sliding it over the existing flue duct. Secure the adapter plate using the screw removed in Step 1. Screw should be installed through hole in adapter plate.

NOTE: Part no. 50HJ502222 has larger diameter "A" holes than part no. 50HJ502223.

3. Attach mounting brackets to flue stack. See Fig. 2. **Bracket A** — Position as shown in Fig. 2. Remove fourth screw from top of flue stack and save. Fasten the bracket to the flue stack with screw that was just removed. The slotted portion of the bracket should be pointed away from the installer.

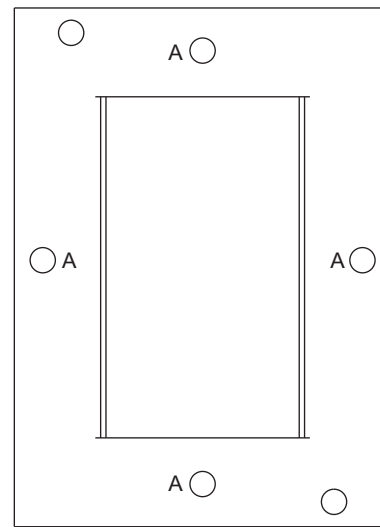
Bracket B — Position as shown in Fig. 2. Remove top screw from the flue stack and save. Fasten the bracket to the flue stack with screw that was just removed. The slotted portion of the bracket should be pointed away from the installer.

4. Remove the two screws in the center post that are attached to the top cover. Remove the second screw from the bottom on the center post. Save all screws. See Fig. 3.

5. Mount the flue discharge deflector to unit by fastening the horizontal leg of the flue stack to the adapter plate using three supplied no. 10 self-drilling screws. Line up the slots in brackets A and B with the holes from the screws removed in Step 4. Reinstall screws from Step 4.

SERVICE

Remove and clean screen periodically to ensure proper air-flow and heating efficiency. Inspect full length of flue stack for any blockages which could impair flue performance. Inspect every fall, and periodically during heating season.



Part Number	Dia. "A"
50HJ502222	0.280 (7.11)
50HJ502223	0.154 (3.91)

NOTE: Dimensions are in inches. Dimensions in () are in millimeters.

Fig. 1 — Adapter Plate—Diameter "A" Details

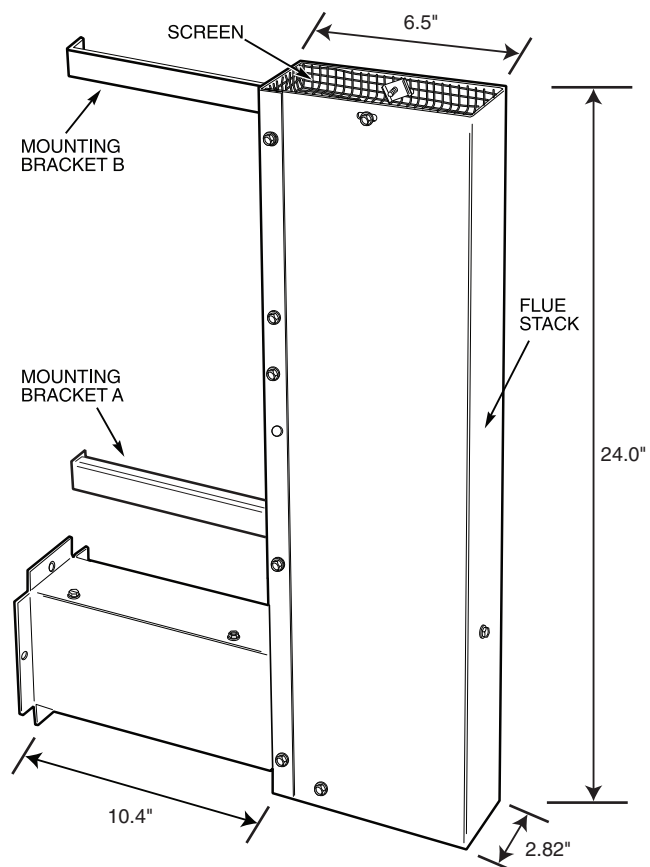


Fig. 2 — Flue Discharge Deflector Assembly

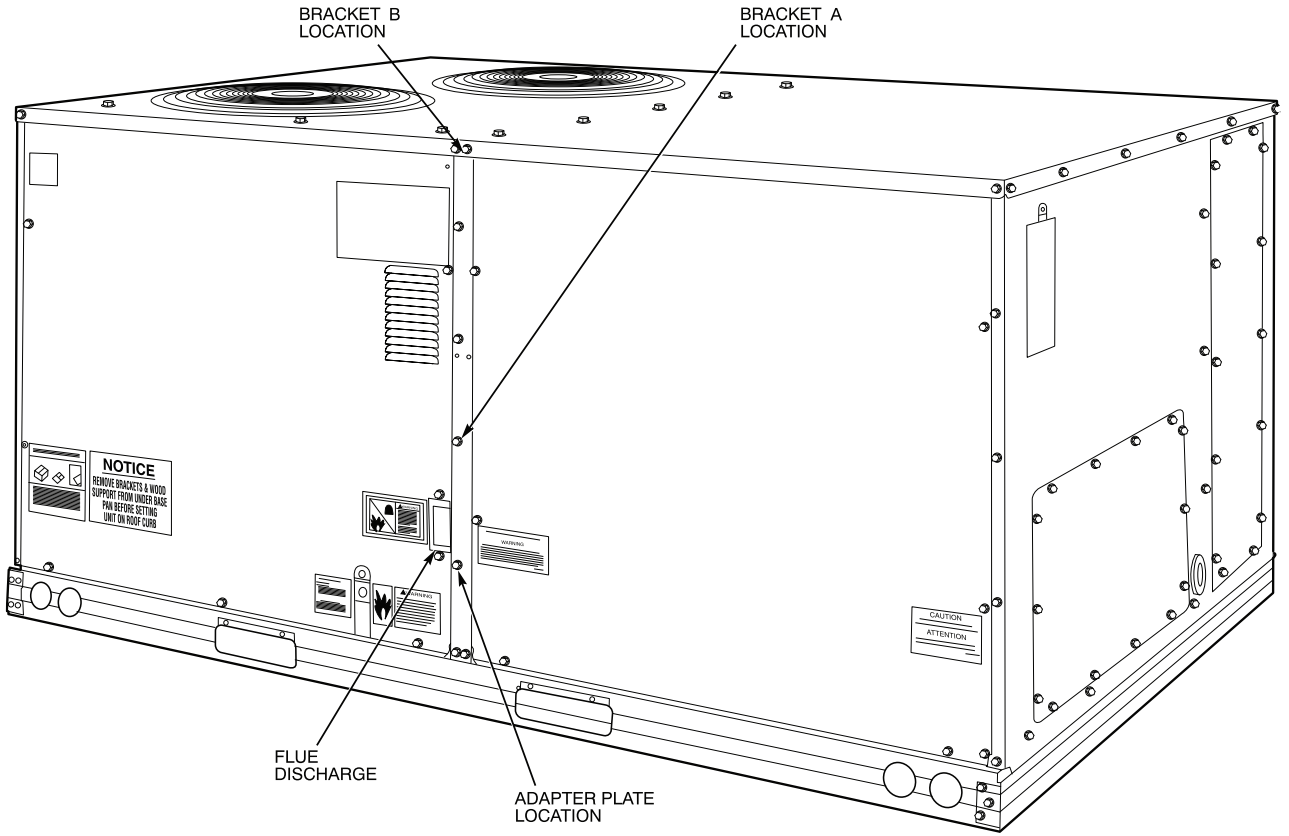


Fig. 3 — Flue Discharge Deflector Mounting Position

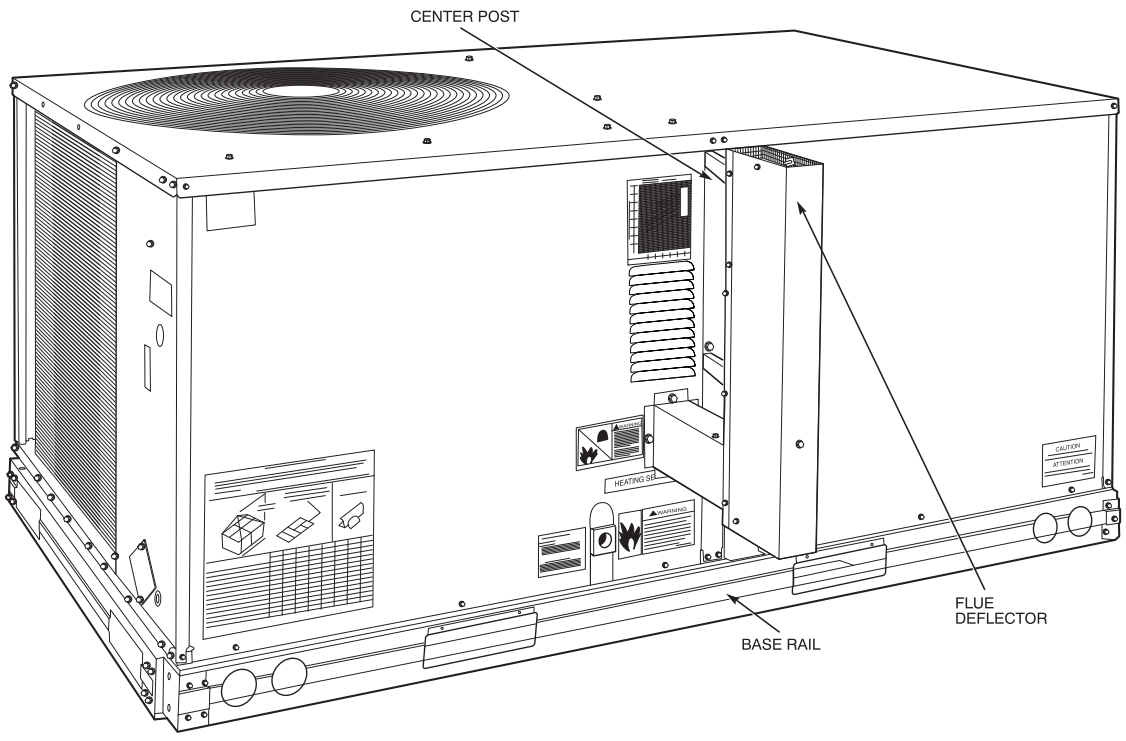


Fig. 4 — Installation of Flue Discharge Deflector on 3 to 12¹/₂ Ton Units

