

1	2	3	4	5	6	7	8	9	10	11	12	13	14	15	16	17	18
4	0	R	U	A	A	0	8	A	1	A	6	-	0	A	0	A	0

Model Type
Packaged Air-Handling Unit
Puron

Type of Coil
A - Standard DX Puron Coil
S - Chilled Water Coil

Type of Coil
A - Standard DX Puron Coil
S - Chilled Water Coil

Nominal Tonnage
07 - 6.0 Ton (RUA Only) 14 - 12.5 Ton
08 - 7.7 Ton 16 - 15.0 Ton
10 - 8.5 Ton (RUS) Only 25 - 20.0 Ton
12 - 10.0 Ton 28 - 25.0 Ton
 30 - 30.0 Ton

Fan Motor Speed Controller
A - None - Standard
T - 2 Speed Fan Controller (VFD)

Indoor Fan Motor Options - Belt Drive
1 - Standard Motor / Standard Drive
2 - Standard Motor / Medium Drive
3 - High Motor / High Drive **
4 - High Efficient Motor / Standard Drive
5 - High Efficient Motor / Medium Drive
6 - High Efficient Motor / High Drive

Coil Options
A - Standard Aluminum Fin / Copper Tube

Packaging
0 - Standard

Future Use
A - Standard

Cabinet Paint
0 - None
1 - Painted

Future Use
A - Standard

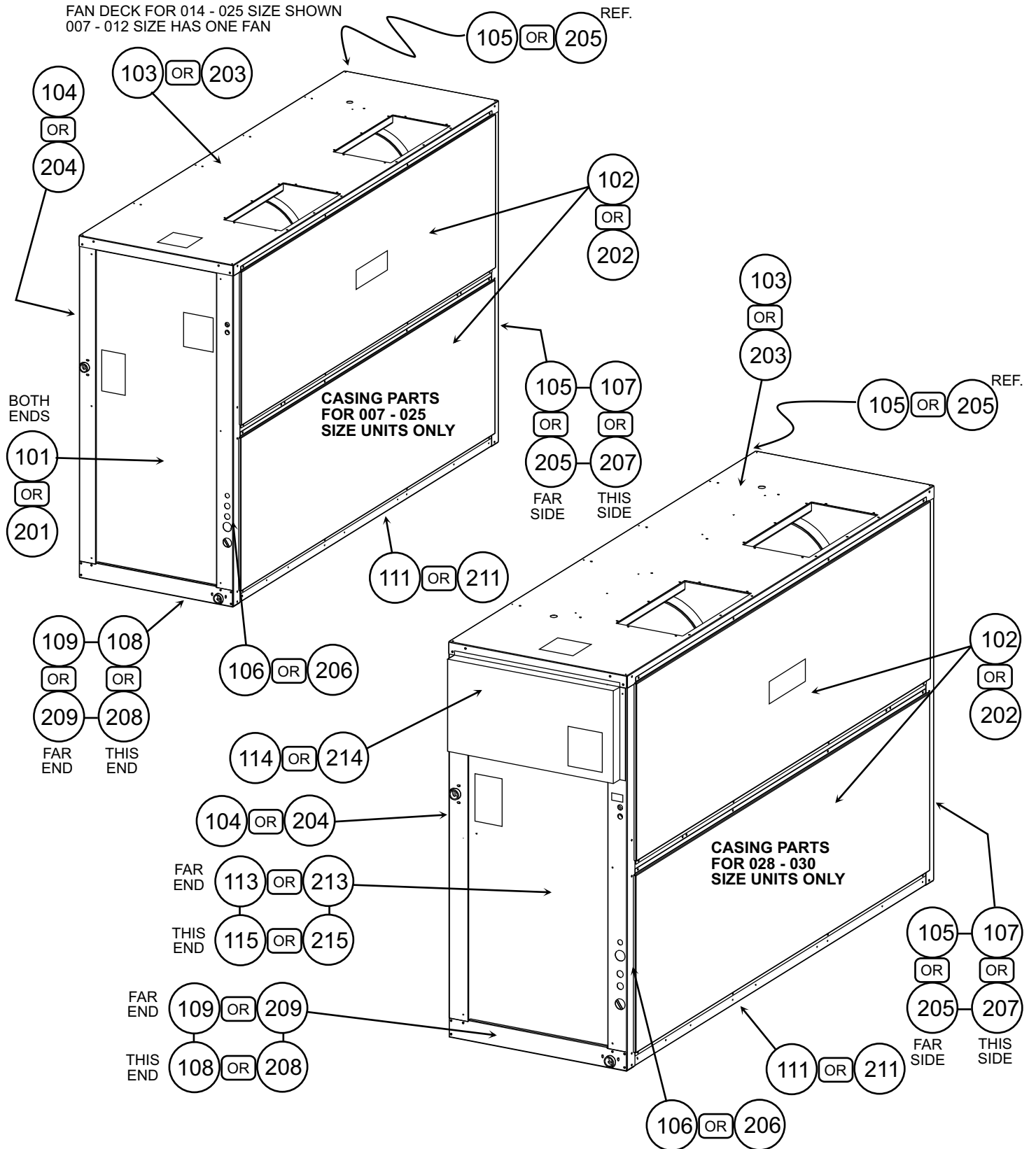
Future Use
0 - Standard

Revision
- - Original

Voltage
1 - 575-3-60
3 - 208/230-1-60
5 - 208/230-3-60 (Applies to
size 16 with High Motor/Drive
6 - 208/230/460-3-60 *
(Triple voltage for sizes 07-14 and
16 with standard motor)
9 - 400-3-50

Notes:

** 30 size models & single-phase 07, 08 and 10 sizes designate standard motor and high static drive.
* All 40RU*07 through 14 units with a "6" voltage designation are triple voltage; i.e., 208/230/460-3-60.
Size 40RU*16 is also triple voltage in the "6" configuration unless the High Static motor option is used that is discrete 460-3-60.



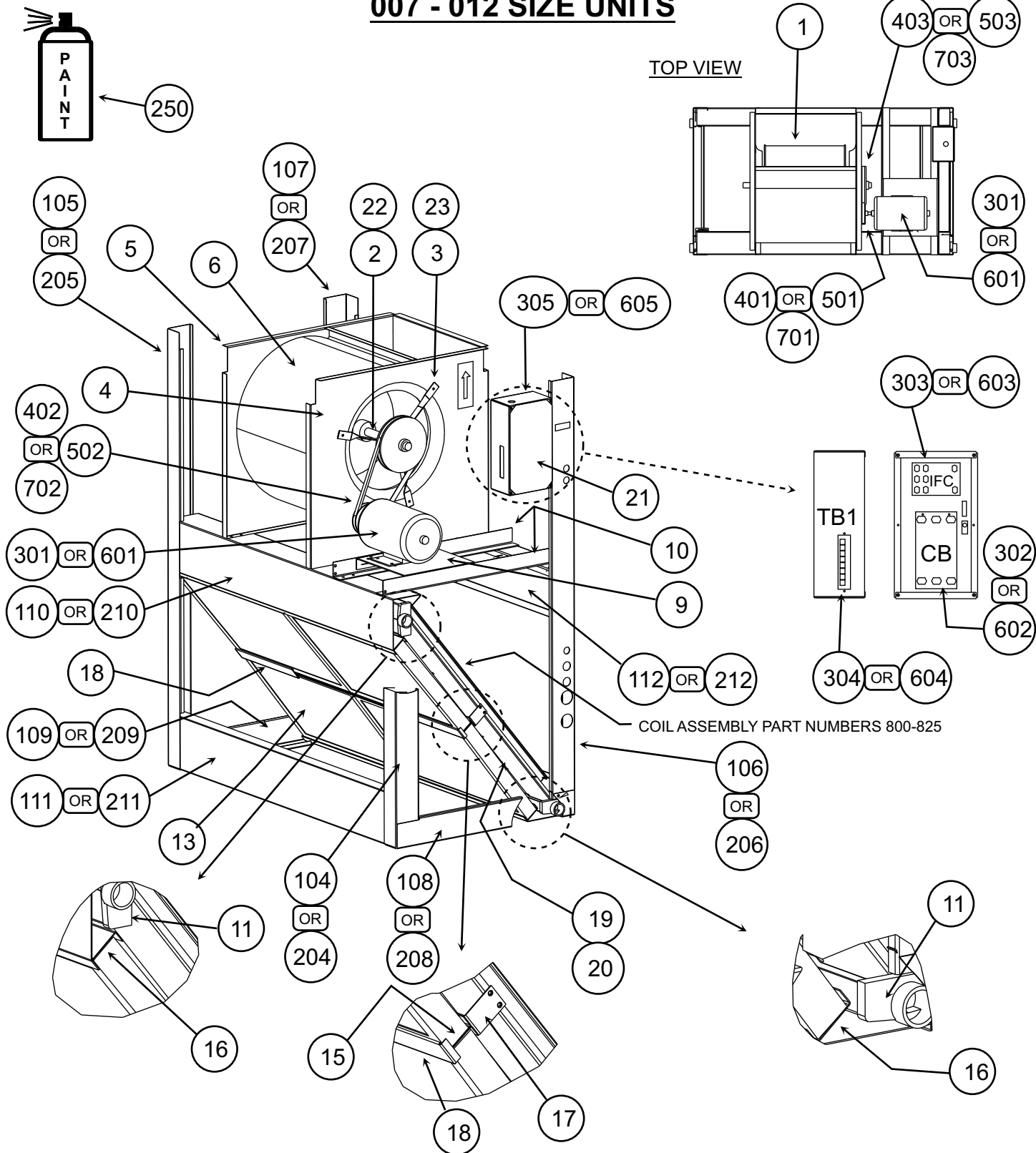
Replacement Components Division

PACKAGED AIR HANDLING UNIT FAN COIL

40RU

SIZE: 007-034 SERIES: 0

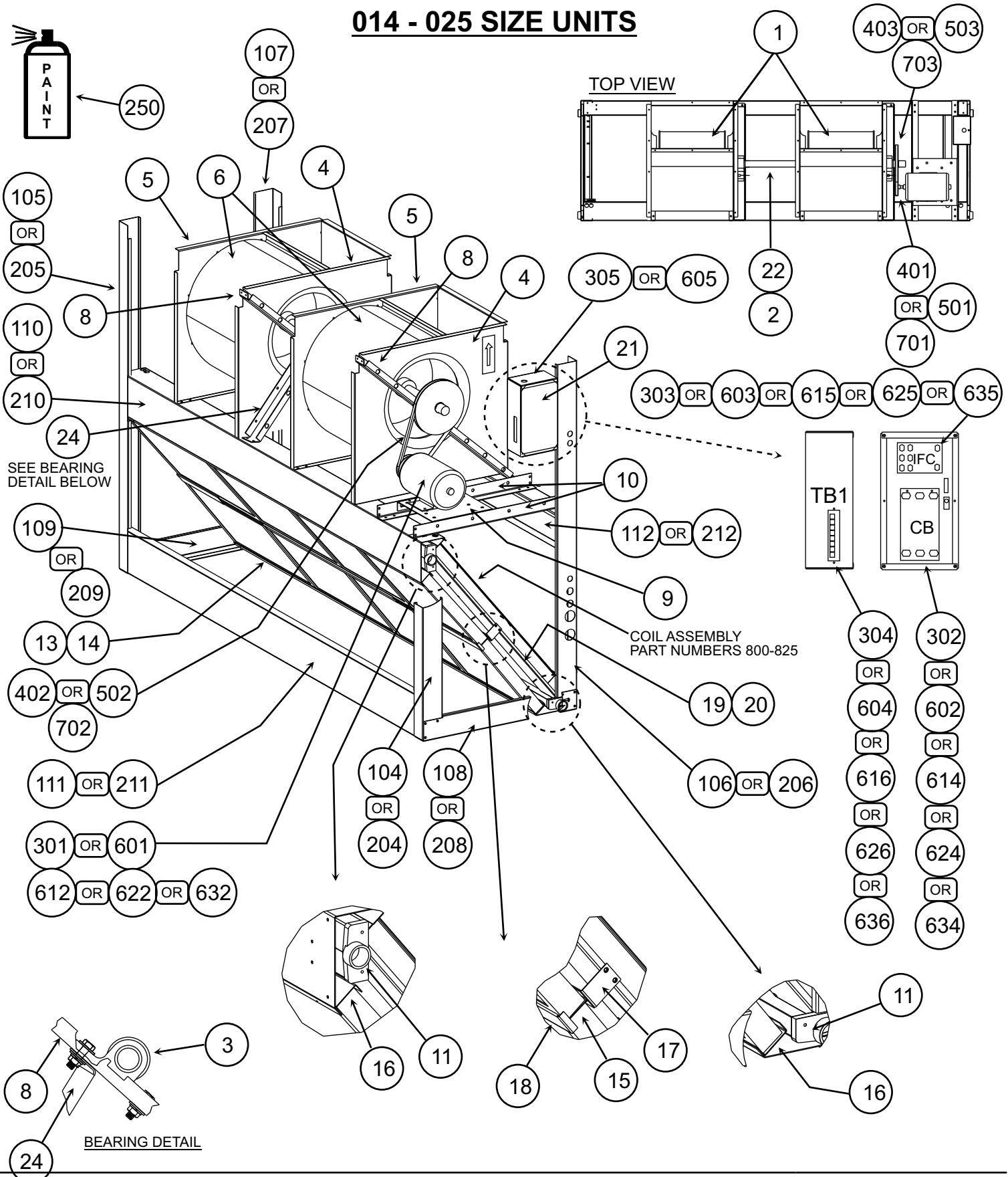
007 - 012 SIZE UNITS

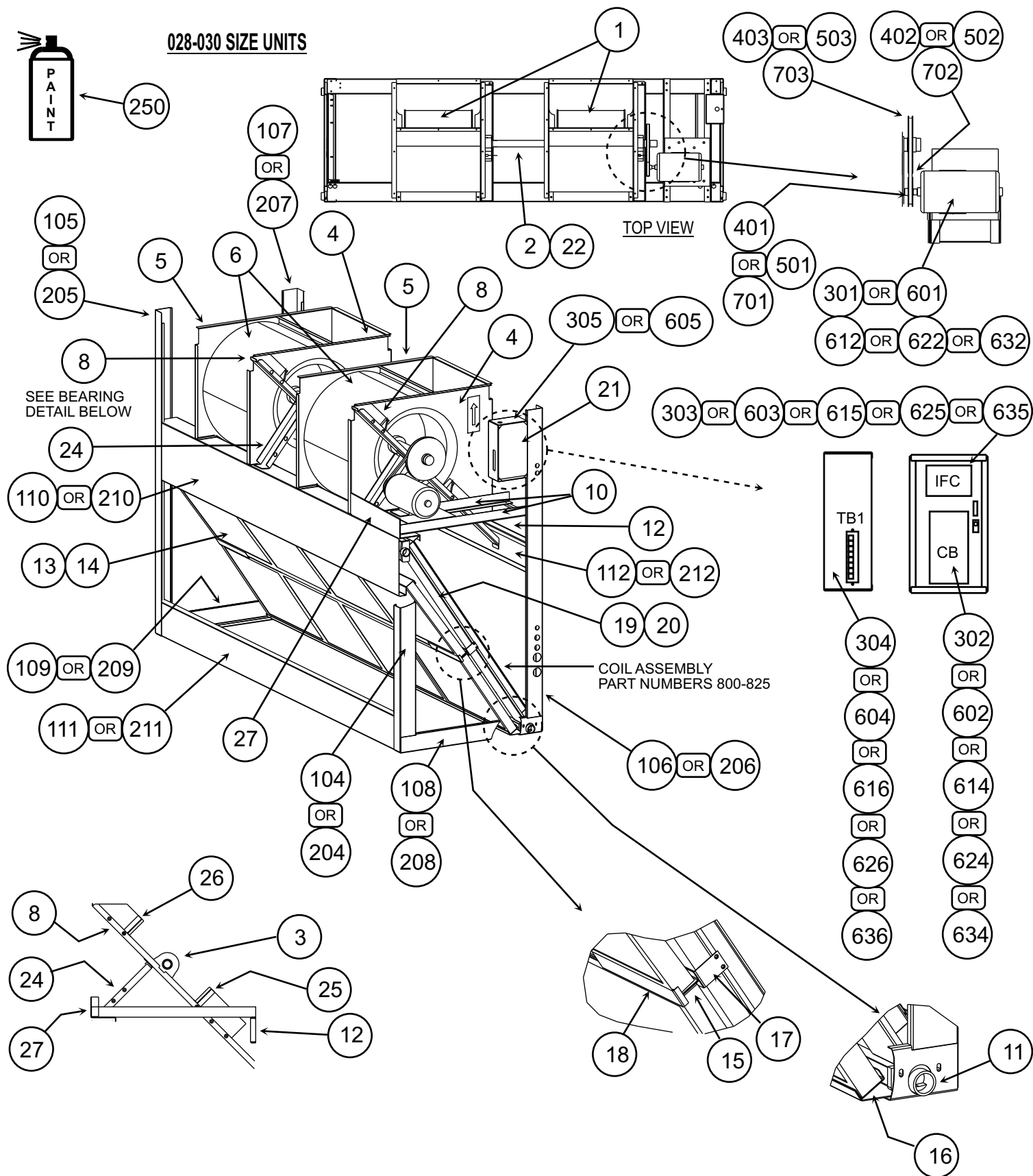


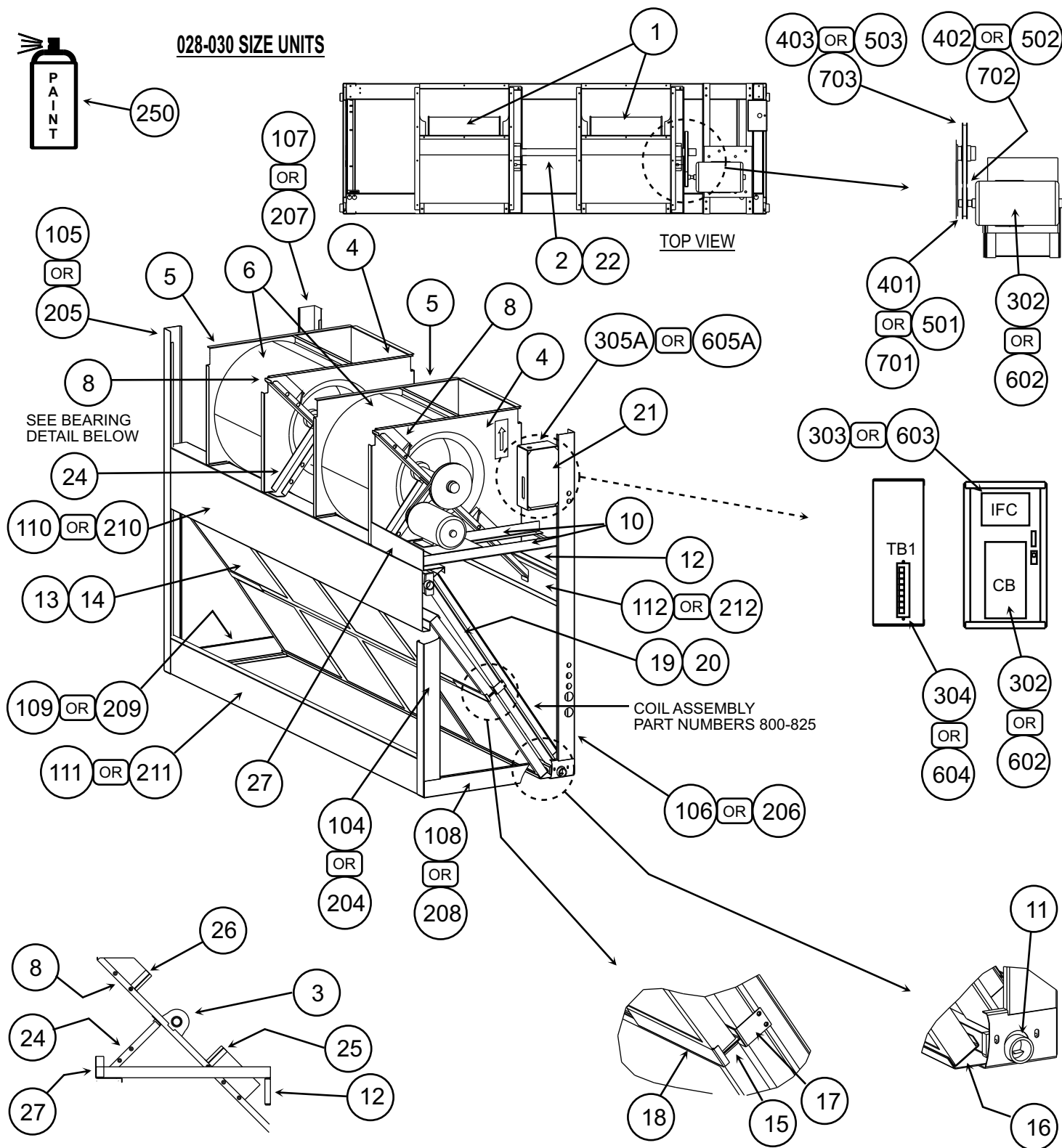
Graphics Page: 3
Litho in U.S.A



014 - 025 SIZE UNITS







Model 40RUAA14A.A6..A

Description FAN COIL, 208/230/460

Itm#	Qty	Rec	Part Number	Description
1	2	C	LA22LA143	WHEEL,BLOWER
2	1	C	40RM500107	SHAFT,FAN
3A	2	C	KT63ZZ118	BEARING (PSN 5114XXXXXX)
3B	2	C	KT63CZ110	BEARING (SSN 5114XXXXXX)
4	2	-	40RM500072	PLATE,SIDE, BLOWER HOUSING
5	2	-	40RM500077	PLATE,SIDE, BLOWER HOUSING
6	2	-	40RM500356	SCROLL,FAN
8	2	-	40RM500131	SUPPORT,BEARING
9	1	-	40RM500128	PLATE, MOTOR MOUNTING
10	2	-	40RM500129	RAIL, MOTOR MOUNTING
11	2	-	40RM500075	PAN,CONDENSATE
13	4	-	KH01AA580	FILTER
14	4	-	KH01AA587	FILTER
15	2	-	40RM500351	TRACK,FILTER, MIDDLE
16	1	-	40RM500352	TRACK,FILTER, LOWER/UPPER
17	2	-	40RM500365	SUPPORT,TRACK
18	2	-	48EJ500886	RETAINER,FILTER
19	1	-	40RM500253	BAFFLE, HEADER END
20	1	-	40RM500255	BAFFLE, HAIRPIN END
21	1	-	40RM500138	COVER, CONTROL BOX
22	1	R	AW01ZA220	KEY
24	1	-	40RM501034	CHANNEL, BEARING SUPPORT
29	1	-	CU000034	LOGO
100	1	-	40RM400415	OPTION #1 UNPAINTED EXT.
101	2	-	40RM500081	> END PANEL
101A	2	-	99KK310802120514	> INSULATION REQ. FOR ITEM 101
102	4	-	40RM501644	> SIDE PANEL
102A	4	-	99KK310802440838	> INSULATION REQ. FOR ITEM 102
103	1	-	40RM400284	> FAN DECK
104	1	-	40RM400288	> POST W/DRAIN, MOTOR END
105	1	-	40RM400290	> POST W/DRAIN, OPPOSITE END
106	1	-	40RM400292	> POST W/ELEC. CONN., MOTOR END
107	1	-	40RM400294	> POST W/ELEC. CONN., OPP. END
108	1	-	40RM400304	> BASE RAIL, MOTOR END
109	1	-	40RM400306	> BASE RAIL, OPPOSITE END
110	1	-	40RM400313	> RAIL,MIDDLE
111	2	-	40RM400316	> RAIL,MIDDLE
112	1	-	40RM500061	> RAIL,MIDDLE
112A	1	-	99KK310800610866	> INSULATION REQ. FOR ITEM 112
200	1	-	40RM400418	OPTION #2 PAINTED EXT.
201	2	-	40RM501616	> END PANEL
201A	2	-	99KK310802120514	> INSULATION REQ. FOR ITEM 201
202	4	-	40RM501646	> SIDE PANEL
202A	4	-	99KK310802440838	> INSULATION REQ. FOR ITEM 202
203	1	-	40RM400285	> FAN DECK
204	1	-	40RM400289	> POST W/DRAIN, MOTOR END
205	1	-	40RM400291	> POST W/DRAIN, OPPOSITE END
206	1	-	40RM400293	> POST W/ELEC. CONN., MOTOR END
207	1	-	40RM400295	> POST W/ELEC. CONN., OPP. END
208	1	-	40RM400305	> BASE RAIL, MOTOR END
209	1	-	40RM400307	> BASE RAIL, OPPOSITE END
210	1	-	40RM400382	> RAIL MIDDLE
211	2	-	40RM400385	> RAIL,MIDDLE
212	1	-	40RM501634	> RAIL,MIDDLE
212A	1	-	99KK310800610866	> INSULATION REQ. FOR ITEM 212
247	2	-	KA56HR138	GROMMET (CABINET/TUBING) (1-3/8")

Itm#	Qty	Rec	Part Number	Description
248	2	-	KA56BR320	GROMMET (CABINET/TUBING) (1-1/8")
249	2	-	KA51BH010	PLUG BUTTON (CABINET/TUBING) (3/4")
250	1	-	313974-751	TOUCH-UP PAINT
300	1	-	40RM401149	OPTION #1 OR #2 STD MOTOR PKG (REF.): Used on models with "1 or 2" in the 10th position of model number.
300A	1	-	40RM401526	> HARNESS ASY
301A	1	C	HD58FK651	> MOTOR(PSN 2712UXXXXX)
301B	1	C	HD58FR233	> MOTOR(SN 2712-1915UXXXXX)
301D	1	C	HD58FE651	> MOTOR(SSN 1915UXXXXX)
301G	1	-	40RM401528	> CONTROL BOX ASY(REF)
303	1	C	HN53CC024	> > CONTACTOR
304	1	R	HY84HA090	> > TERMINAL BOARD
305	1	-	40RM500140	> > CONTROL BOX
400	1	-	40RM400463	OPTION #1 OR #4 STANDARD DRIVE (REF.): Used on models with "1 or 4" in the 10th position of model number.
401	1	R	P461-3708	> PULLEY,MOTOR
402	1	R	P463-A41	> BELT
403	1	R	KR51BJ419	> PULLEY,FAN
500	1	-	40RM400598	OPTION #2 OR #5 MEDIUM DRIVE (REF.): Used on models with "2 or 5" in the 10th position of model number.
501	1	R	P461-3706	> PULLEY,MOTOR
502	1	R	P463-A40	> BELT
503	1	R	KR51BH619	> PULLEY,FAN
600	1	-	40RM401151	OPTION #3 HIGH MOTOR PKG (REF.): Used on models with "3" in the 10th position of model number.
600A	1	-	40RM401536	> HARNESS ASY
601A	1	C	HD60FK651	> MOTOR(PSN 2712UXXXXX)
601B	1	C	HD58FR232	> MOTOR(SN 2712-1915UXXXXX)
601D	1	C	HD60FE655	> MOTOR(SSN 1915UXXXXX)
601E	1	-	40RM401528	> CONTROL BOX ASY(REF)
603	1	R	HN53CC024	> > CONTACTOR
604	1	R	HY84HA090	> > TERMINAL BOARD
605	1	-	40RM500140	> > CONTROL BOX
700	1	-	40RM400464	OPTION #3 & #6 HIGH DRIVE (REF.): Used on models with "3 or 6" in the 10th position of model number.
701	1	R	P461-3706	> PULLEY,MOTOR
702	1	R	P463-B38	> BELT
703	1	R	KR51BG419	> PULLEY,FAN
800	1	C	40RU400004	COIL,EVAPORATOR W/TXV
801	2	-	40RU400013	> DISTRIBUTOR ASY
803	1	-	EA07LD216	> > DISTRIBUTOR
804	1	-	EA19CY903	> > NOZZLE
805	2	C	EA36UC050	> VALVE,TXV
900	1	-	CAPLENUM002A00	DISCHARGE PLENUM, UNPAINTED
900A	2	-	9600126	> GRILLE, FOR DISCHARGE PLENUM
901	1	-	CAPLENUM005A00	DISCHARGE PLENUM, PAINTED
902	1	-	CASTCOIL002A00	STEAM COIL, UNPAINTED
903	1	-	CASTCOIL005A00	STEAM COIL, PAINTED
904	1	-	CAHWCOIL002A00	HOT WATER COIL, UNPAINTED
905	1	-	CAHWCOIL005A00	HOT WATER COIL, PAINTED
906	1	-	CARAGRIL002A00	RETURN AIR GRILLE, UNPAINTED
907	1	-	CARAGRIL005A00	RETURN AIR GRILLE, PAINTED
908	1	-	CASUSPEN001A00	OVERHEAD SUSPENSION PACKAGE
909	1	-	CASUBASE001A00	FLOOR MOUNT BASE, UNPAINTED
910	1	-	CASUBASE003A00	FLOOR MOUNT BASE, PAINTED
911	1	-	CAECOMZR002A00..	ECONOMIZER. UNPAINTED
912	1	-	CAECOMZR005A00..	ECONOMIZER, PAINTED
913	1	-	CAECOMZR001B00..	ECONOMIZER-TEMP DRY BULB-STD LEAK
914	1	-	CAECOMZR008A00..	ECONOMIZER-TEMP DRY BULB-ULTRA LOW LEAK
915	1	-	HH57AC081	ENTHALPY CONTROL-ULTRA LOW LEAK CONTROL

Itm#	Qty	Rec	Part Number	Description
916	1	-	CAELHEAT001A00..	HEATER ACCESSORY,5KW-240V
917	1	-	CAELHEAT002A00..	HEATER ACCESSORY,5KW-480V
918	1	-	CAELHEAT003A00..	HEATER ACCESSORY,5KW-575V
919	1	-	CAELHEAT004A00..	HEATER ACCESSORY,10KW-240V
920	1	-	CAELHEAT005A00..	HEATER ACCESSORY,10KW-480V
921	1	-	CAELHEAT006A00..	HEATER ACCESSORY,10KW-575V
922	1	-	CAELHEAT007A00..	HEATER ACCESSORY,15KW-240V
923	1	-	CAELHEAT008A00..	HEATER ACCESSORY,15KW-480V
924	1	-	CAELHEAT009A00..	HEATER ACCESSORY,15KW-575V
925	1	-	CAELHEAT010A00..	HEATER ACCESSORY,25KW-240V
926	1	-	CAELHEAT011A00..	HEATER ACCESSORY,25KW-480V
927	1	-	CAELHEAT012A00..	HEATER ACCESSORY,25KW-575V
928	1	-	CAELHEAT013A00..	HEATER ACCESSORY,35KW-240V
929	1	-	CAELHEAT014A00..	HEATER ACCESSORY,35KW-480V
930	1	-	CAELHEAT015A00..	HEATER ACCESSORY,35KW-575V
931	1	-	CAELHEAT016A00..	HEATER ACCESSORY,10KW-240V
932	1	-	CAELHEAT017A00..	HEATER ACCESSORY,10KW-480V
933	1	-	CAELHEAT018A00..	HEATER ACCESSORY,10KW-575V
934	1	-	CAELHEAT019A00..	HEATER ACCESSORY,20KW-240V
935	1	-	CAELHEAT020A00..	HEATER ACCESSORY,20KW-480V
936	1	-	CAELHEAT021A00..	HEATER ACCESSORY,20KW-575V
937	1	-	CAELHEAT022A00..	HEATER ACCESSORY,30KW-240V
938	1	-	CAELHEAT023A00..	HEATER ACCESSORY,30KW-480V
939	1	-	CAELHEAT024A00..	HEATER ACCESSORY,30KW-575V
940	1	-	CAELHEAT025A00..	HEATER ACCESSORY,50KW-240V
941	1	-	CAELHEAT026A00..	HEATER ACCESSORY,50KW-480V
942	1	-	CAELHEAT027A00..	HEATER ACCESSORY,50KW-575V
943	1	-	CAELHEAT028A00..	HEATER ACCESSORY,20KW-240V
944	1	-	CAELHEAT029A00..	HEATER ACCESSORY,20KW-480V
945	1	-	CAELHEAT030A00..	HEATER ACCESSORY,20KW-575V
946	1	-	CAELHEAT031A00..	HEATER ACCESSORY,40KW-240V
947	1	-	CAELHEAT032A00..	HEATER ACCESSORY,40KW-480V
948	1	-	CAELHEAT033A00..	HEATER ACCESSORY,40KW-575V
949	1	-	CAELHEAT034A00..	HEATER ACCESSORY,50KW-240V
950	1	-	CAELHEAT035A00..	HEATER ACCESSORY,50KW-480V
951	1	-	CAELHEAT036A00..	HEATER ACCESSORY,50KW-575V
952	1	-	CAELHEAT037A00..	HEATER ACCESSORY,70KW-240V
953	1	-	CAELHEAT038A00..	HEATER ACCESSORY,70KW-480V
954	1	-	CAELHEAT039A00..	HEATER ACCESSORY,70KW-575V
1000	1	-	33CSAS--01	AIRFLOW SENSOR SWITCH(ACC)
1001	1	-	33ZCSENCO2	CO2 ROOM SENSOR ACCY(WALL/DUCT MOUN
1002	1	-	33ZCASPCO2	ASPIRATOR BOX ACCY
1004	1	-	33CSSN2-WC	TSTAT,NON-PRG,2 STG HT/CL,G/E & HP
1005	1	-	33CSSP2-WC	TSTAT,PROG,2 STG HT/CL,G/E & HP
1007	1	-	33CS400-01	TSTAT,NON-PRG,2 STG HT/COOL,HP OR G/E
1008	1	-	33CS420-01	TSTAT,7 DAY PROG/NON PROG
1009	1	-	33CS450-01	TSTAT,7 DAY PROG/NON PROG
1010	1	-	33CS220-FS	TSTAT,7 DAY PROG
1011	1	-	33CS250-FS	TSTAT,7 DAY PROG
1012	1	-	33CS250-RC	TSTAT,7 DAY PROG,2 STG HT/CL,AUTO CNGOVR
1013	1	-	33CS250-RE	WIRELESS RECEIVER-MUST USE W/33CS250-RC