



# Wiring Diagram

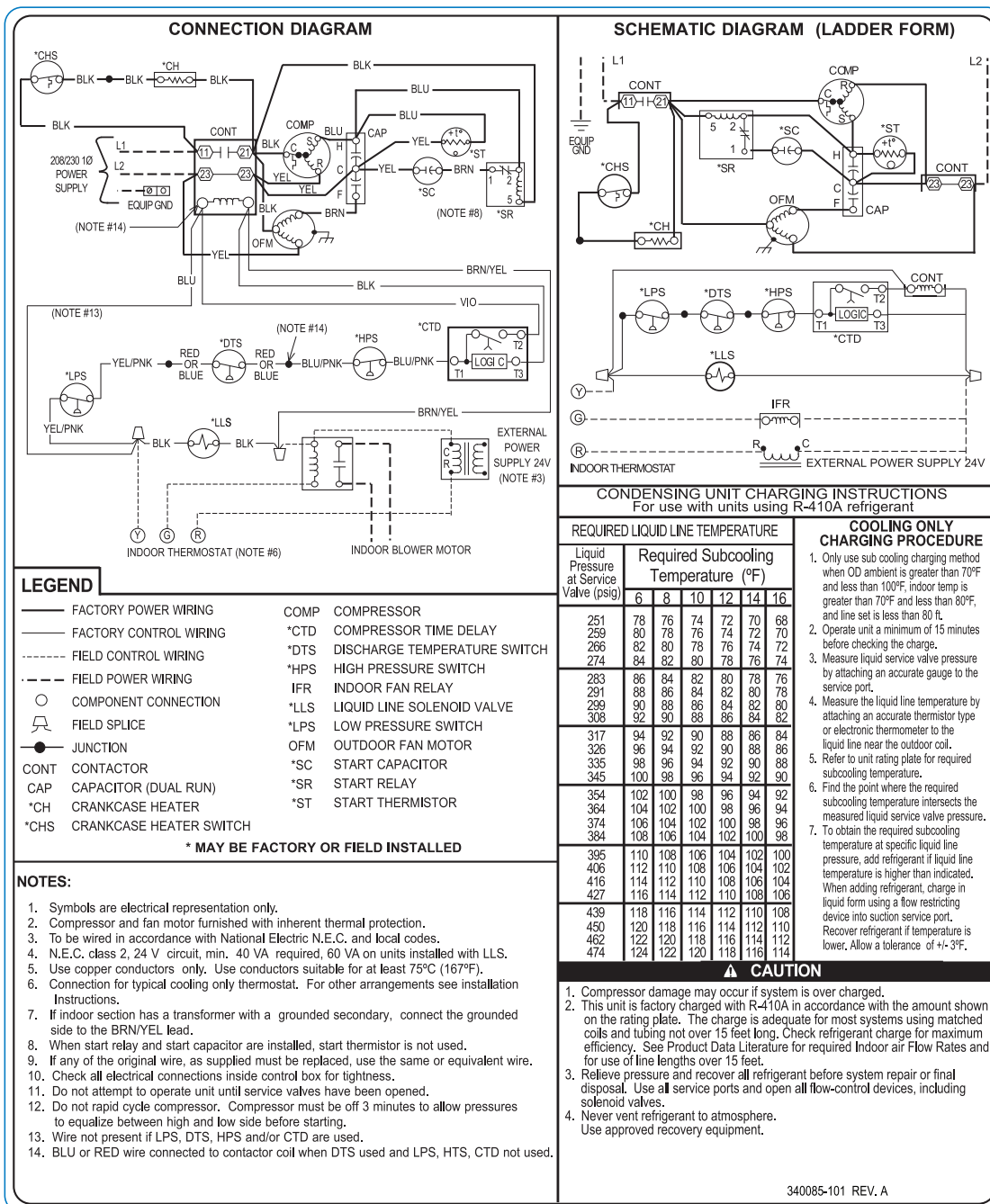


Fig. 1 – Wiring Diagram — Model sizes 1-1/2 - 5 tons, 208/230-1

