

DUCT FREE SPLIT SYSTEM – HIGH WALL

Efficient 13 SEER Air Conditioners and 7.7 HSPF Heat Pumps

¾ THRU 3 TONS

- TS Compressor technology for enhanced efficiency in 2, 2½, & 3 ton models
- Rotary compressors in ¾, 1, & 1½ ton models
- “Air Care” advanced purifying technology
- Wireless remote sensor for enhanced functionality
- Programmable for 3 time/temperature settings in 24-hour period
- 30 VDC (¾ – 1½ ton) Indoor units for better safety and savings on installation costs
- Factory charged with R-22 refrigerant
- 1 year No Hassle replacement limited warranty
- 5 year limited compressor, 5 year limited coil and parts warranties



Rated in accordance with ARI Standard 210 and/or 240. Certification applies only when used with proper components as listed with ARI.

No hassle

REPLACEMENT WARRANTY
see warranty certificate for details

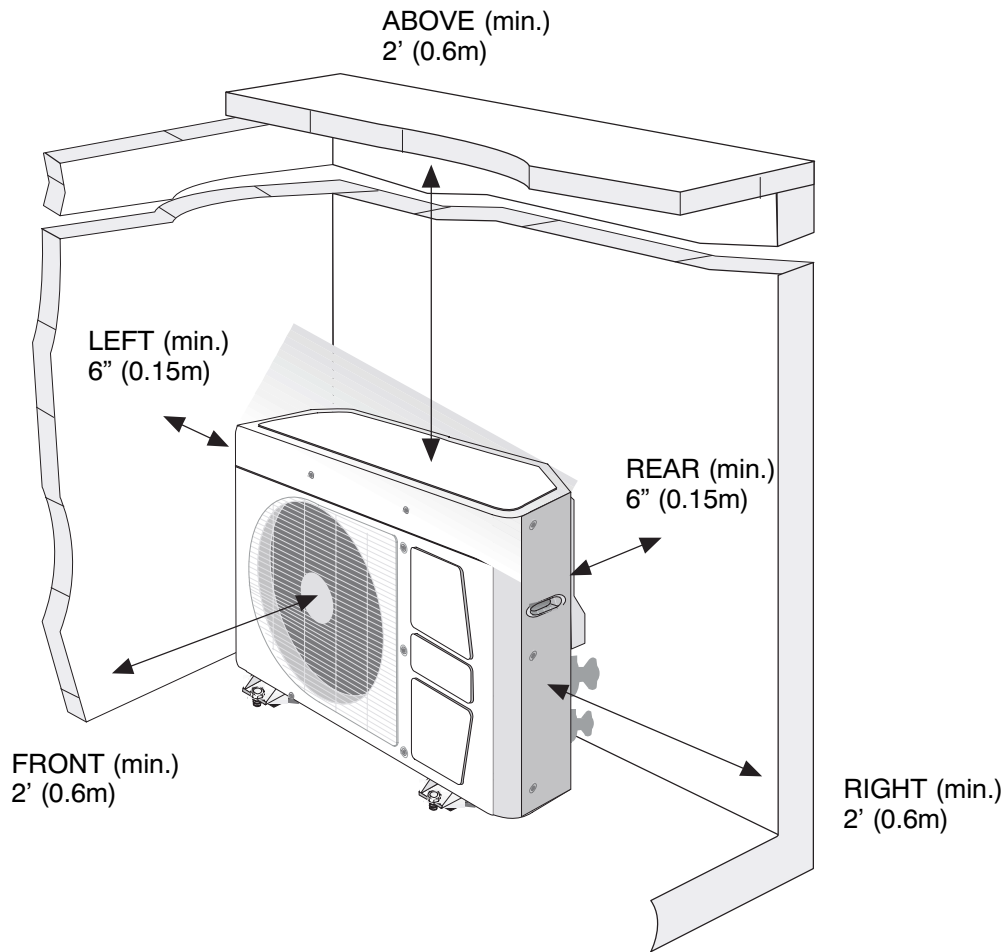
Air Conditioners		
Outdoor Section	Size (tons)	Dimensions W x H x D (in)
Indoor Section		
DFC2A309J1A	¾	28¾ x 21¼ x 10 ⁷ / ₁₆
DFF2AH09J1A	¾	32 ³ / ₃₂ x 10¼ x 7 ⁹ / ₃₂
DFC2A312J1A	1	35 ⁷ / ₁₆ x 25 ³ / ₁₆ x 12 ¹⁹ / ₃₂
DFF2AH12J1A	1	32 ³ / ₃₂ x 10¼ x 7 ⁹ / ₃₂
DFC2A318K1A	1½	43 ⁵ / ₁₆ x 25 ³ / ₁₆ x 12 ¹⁹ / ₃₂
DFF2AH18J1A	1½	42½ x 11 ⁵ / ₈ x 7 ⁹ / ₃₂
DFC2A324K1A	2	43 ⁵ / ₁₆ x 25 ³ / ₁₆ x 12 ¹⁹ / ₃₂
DFF2AH24K1A	2	42½ x 11 ⁵ / ₈ x 7 ⁹ / ₃₂
DFC2A330K1A	2½	44 ⁷ / ₈ x 25 ³ / ₁₆ x 15¾
DFF2AH30K1A	2½	54 ⁷ / ₈ x 12 ³ / ₁₆ x 9
DFC2A336K1A	3	44 ⁷ / ₈ x 25 ³ / ₁₆ x 15¾
DFF2AH36K1A	3	54 ⁷ / ₈ x 12 ³ / ₁₆ x 9
DFC2A318J2A*	1½	35 ⁷ / ₁₆ x 50 ¹³ / ₃₂ x 12 ¹⁹ / ₃₂
DFF2AH09J1A*	2 x ¾	32 ³ / ₃₂ x 10¼ x 7 ⁹ / ₃₂
DFC2A324J2A*	2	35 ⁷ / ₁₆ x 50 ¹³ / ₃₂ x 12 ¹⁹ / ₃₂
DFF2AH12J1A*	2 x 1	32 ³ / ₃₂ x 10¼ x 7 ⁹ / ₃₂

* Dual Zone Model

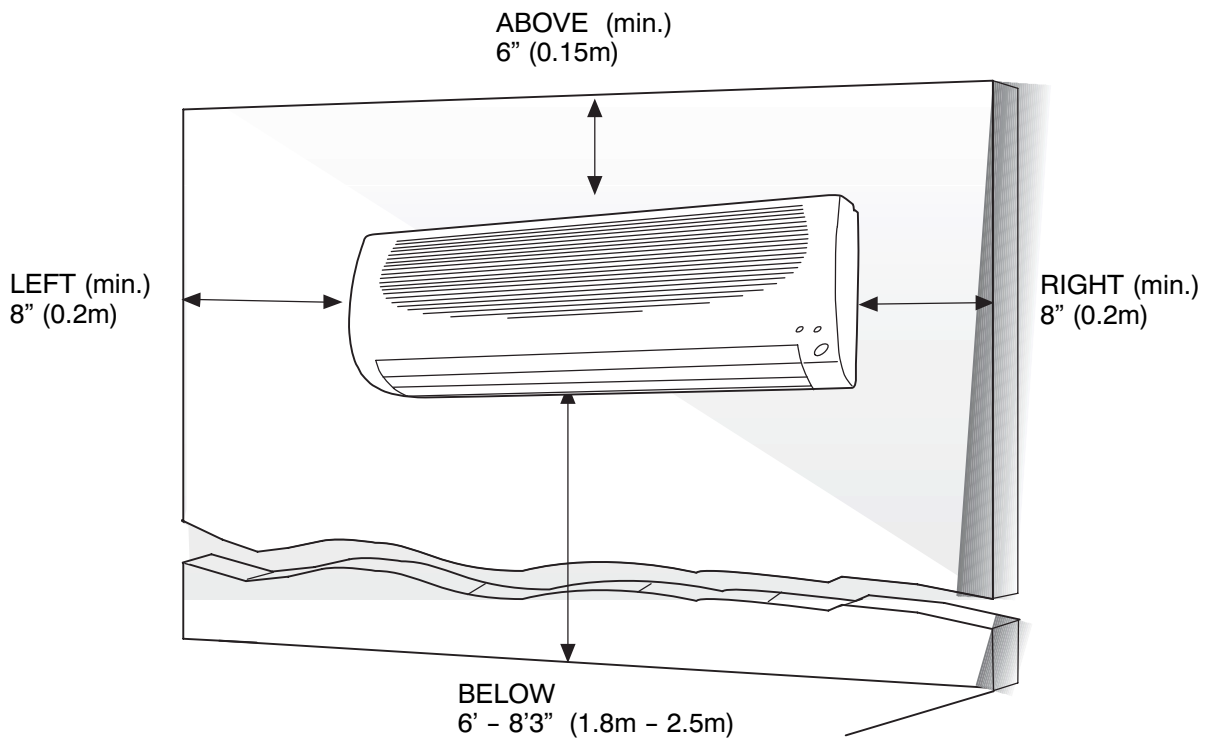
Heat Pumps		
Outdoor Section	Size (tons)	Dimensions W x H x D (in)
Indoor Section		
DFC2H309J1A	¾	28¾ x 21¼ x 10 ⁷ / ₁₆
DFF2HH09J1A	¾	32 ³ / ₃₂ x 10¼ x 7 ⁹ / ₃₂
DFC2H312J1A	1	35 ⁷ / ₁₆ x 25 ³ / ₁₆ x 12 ¹⁹ / ₃₂
DFF2HH12J1A	1	32 ³ / ₃₂ x 10¼ x 7 ⁹ / ₃₂
DFC2H318K1A	1½	43 ⁵ / ₁₆ x 25 ³ / ₁₆ x 12 ¹⁹ / ₃₂
DFF2HH18J1A	1½	42½ x 11 ⁵ / ₈ x 7 ⁹ / ₃₂
DFC2H324K1A	2	43 ⁵ / ₁₆ x 25 ³ / ₁₆ x 12 ¹⁹ / ₃₂
DFF2HH24K1A	2	42½ x 11 ⁵ / ₈ x 7 ⁹ / ₃₂
DFC2H330K1A	2½	44 ⁷ / ₈ x 25 ³ / ₁₆ x 15¾
DFF2HH30K1A	2½	54 ⁷ / ₈ x 12 ³ / ₁₆ x 9
DFC2H336K1A	3	44 ⁷ / ₈ x 25 ³ / ₁₆ x 15¾
DFF2HH36K1A	3	54 ⁷ / ₈ x 12 ³ / ₁₆ x 9
DFC2H318J2A*	1½	35 ⁷ / ₁₆ x 50 ¹³ / ₃₂ x 12 ¹⁹ / ₃₂
DFF2HH09J1A*	2 x ¾	32 ³ / ₃₂ x 10¼ x 7 ⁹ / ₃₂
DFC2H324J2A*	2	35 ⁷ / ₁₆ x 50 ¹³ / ₃₂ x 12 ¹⁹ / ₃₂
DFF2HH12J1A*	2 x 1	32 ³ / ₃₂ x 10¼ x 7 ⁹ / ₃₂

* Dual Zone Model

Required CLEARANCES, Outdoor



Required CLEARANCES, Indoor



Outdoor Model Size	09J1A	12J1A	18K1A	24K1A	30K1A	36K1A	18J2A	24J2A
Indoor Model Size	09J1A	12J1A	18J1A	24K1A	30K1A	36K1A	2 x 09J1A	2 x 12J1A
PHYSICAL DATA – Air Conditioner								
Cooling Capacity (BTU/hr)	9,000	11,600	19,000	22,800	29,000	33,000	2 x 9,000	2 x 11,600
SEER	13.0	13.0	13.0	13.0	14.0	13.0	13.0	13.0
Moisture Removal (pints/hr)	2.6	4.5	5.3	5.0	7.0	8.0	2 x 2.6	2 x 4.5
Indoor Fan CFM (High speed)	350	400	670	726	860	860	2 x 350	2 x 400
Indoor Sound Rating (dBA High – dBA Low)	55 – 45	60 – 48	62 – 50	64 – 50	65 – 53	65 – 53	2 x 55-45	2 x 60-48
Outdoor Sound Rating (dBA)	68	72	74	76	76	76	74	76
Liquid Line Connection Size – Flare (in.)	1/4	1/4	3/8	3/8	3/8	3/8	2 x 1/4	2 x 1/4
Vapor Line Connection Size – Flare (in.)	1/2	1/2	5/8	5/8	3/4	3/4	2 x 1/2	2 x 1/2
Maximum Vertical Separation (ft.) Indoor Higher than Outdoor	30	30	30	65	65	65	30	30
Maximum Vertical Separation (ft.) Indoor Lower than Outdoor	30	30	30	75	75	75	30	30
Maximum Line-set Length (ft.)	50	50	50	130	130	130	50	50
Factory Charge R-22 (lbs.) *	2.7	3.1	4.1	4.2	6.06	5.9	2 x 2.7	2 x 3.1
* Units are factory charged for 25' of line set. Add or remove 0.3 oz. of charge per foot if line set length is different.								
Net Weight, Outdoor (lbs.)	73	114	136	187	198	198	136	228
Net Weight, Indoor (lbs.)	19	19	27.5	27.5	51	51	2 x 19	2 x 19
OUTDOOR ELECTRICAL DATA – Air Conditioner								
Required Supply Voltage	115-1-60 AC		208/230-1-60 AC				115-1-60 AC	
Control Voltage	30 VDC			24 VAC				
Minimum Circuit Ampacity – MCA (amps)	9.0	11.6	10.7	11.0	13.7	17.7	19.8	24.6
Maximum OverCurrent Protective device – MOCP (amps)	15	20	20	20	20	30	25	30
Compressor RLA (Rated Load Amps) LRA (Locked Rotor Amps)	6.1 42	7.6 58	6.5 42	8.6 60	10.0 76	12.9 73	7.2 42	9.3 58
Fan Motor Amps	0.90	1.00	0.88	0.87	0.94	0.94	1.00	1.00
INDOOR ELECTRICAL DATA – Air Conditioner								
Required Supply Voltage	30 DC ¹			208/230-1-60 AC			30 DC ¹	
Control Voltage	30 VDC			24 VAC				
FLA (Full Load Amps)	1.8	1.8	2.4	0.6	0.6	0.6	2 x 1.8	2 x 1.8
Minimum Circuit Ampacity – MCA (amps)	N/A ¹	N/A ¹	N/A ¹	0.46	0.55	0.55	N/A ¹	N/A ¹
Maximum OverCurrent Protective device – MOCP (amps)	N/A ¹	N/A ¹	N/A ¹	15 ²	15 ²	15 ²	N/A ¹	N/A ¹

- 30VDC is generated by the outdoor unit and delivered through low voltage wiring to power the indoor unit. Separate disconnect or over-current protection device not required at indoor unit.
- If indoor unit is powered from outdoor terminal block, the MOCP for the outdoor unit covers both units.

Outdoor Model Size	09J1A	12J1A	18K1A	24K1A	30K1A	36K1A	18J2A	24J2A
Indoor Model Size	09J1A	12J1A	18J1A	24K1A	30K1A	36K1A	2 x 09J1A	2 x 12J1A
PHYSICAL DATA – Heat Pump								
Cooling Capacity (BTU/hr)	9,000	11,600	19,000	22,800	29,000	33,000	2 x 9,000	2 x 11,600
SEER	13.0	13.0	13.0	13.0	14.0	13.0	13.0	13.0
Heating Capacity (BTU/hr)	8,600	11,800	18,300	22,600	28,000	32,000	2 x 8,600	2 x 11,800
HSPF	7.7	7.7	7.7	7.7	8.4	8.4	7.7	7.7
Moisture Removal (pints/hr)	2.6	4.5	5.3	5.0	7.0	8.0	2 x 2.6	2 x 4.5
Indoor Fan CFM (High speed)	350	400	670	726	860	860	2 x 350	2 x 400
Indoor Sound Rating (dBA High – dBA Low)	55 – 45	60 – 48	62 – 50	64 – 50	65 – 53	65 – 53	2 x 55-45	2 x 60-48
Outdoor Sound Rating (dBA)	68	72	74	76	76	76	74	76
Liquid Line Connection Size – Flare (in.)	1/4	1/4	3/8	3/8	3/8	3/8	2 x 1/4	2 x 1/4
Vapor Line Connection Size – Flare (in.)	1/2	1/2	5/8	5/8	3/4	3/4	2 x 1/2	2 x 1/2
Maximum Vertical Separation (ft.) Indoor Higher than Outdoor	30	30	30	65	65	65	30	30
Maximum Vertical Separation (ft.) Indoor Lower than Outdoor	30	30	30	75	75	75	30	30
Maximum Line-set Length (ft.)	50	50	50	130	130	130	50	50
Factory Charge R-22 (lbs.) *	2.7	3.1	4.1	4.2	6.06	5.9	2 x 2.7	2 x 3.1
* Units are factory charged for 25' of line set. Add or remove 0.3 oz. of charge per foot if line set length is different.								
Net Weight, Outdoor (lbs.)	73	114	136	187	198	198	136	228
Net Weight, Indoor (lbs.)	19	19	27.5	27.5	51	51	2 x 19	2 x 19
OUTDOOR ELECTRICAL DATA – Heat Pump								
Required Supply Voltage	115-1-60 AC		208/230-1-60 AC				115-1-60 AC	
Control Voltage	30 VDC			24 VAC				
Minimum Circuit Ampacity – MCA (amps)	9.0	11.6	10.7	11.0	13.7	17.7	19.8	24.6
Maximum OverCurrent Protective device – MOCP (amps)	15	20	20	20	20	30	25	30
Compressor RLA (Rated Load Amps) LRA (Locked Rotor Amps)	6.1 42	7.6 58	6.5 42	8.6 60	10.0 76	12.9 73	7.2 42	9.3 58
Fan Motor Amps	0.90	1.00	0.88	0.87	0.94	0.94	1.00	1.00
INDOOR ELECTRICAL DATA – Heat Pump								
Required Supply Voltage	30 DC ¹			208/230-1-60 AC			30 DC ¹	
Control Voltage	30 VDC			24 VAC				
FLA (Full Load Amps)	1.8	1.8	2.4	0.6	0.6	0.6	2 x 1.8	2 x 1.8
Minimum Circuit Ampacity – MCA (amps)	N/A ¹	N/A ¹	N/A ¹	0.46	0.55	0.55	N/A ¹	N/A ¹
Maximum OverCurrent Protective device – MOCP (amps)	N/A ¹	N/A ¹	N/A ¹	15 ²	15 ²	15 ²	N/A ¹	N/A ¹

- 30VDC is generated by the outdoor unit and delivered through low voltage wiring to power the indoor unit. Separate disconnect or over-current protection device not required at indoor unit.
- If indoor unit is powered from outdoor terminal block, the MOCP for the outdoor unit covers both units.

ACCESSORIES		
Part Number	Description	Used On Model Size
NADA001DK	Condensate Pump	9, 12, 2 x 9, 2 x 12
NADA002DK	Condensate Pump	18, 24
NADA003DK	Condensate Pump	30, 36
NADA001LA	Low Ambient Kit *	ALL
NADA001CH	Crankcase Heater (120V)	9, 12, 2 x 9, 2 x 12
NADA002CH	Crankcase Heater (240V)	18, 24, 30, 36
1173540	Isolation Relay (120V) *	9, 12, 2 x 9, 2 x 12
1174662	Isolation Relay (240V) *	18, 24, 30, 36
NADA001TW	Wired Control	ALL

* When Low Ambient Kit is used with Heat Pump, additional Isolation Relay is required.

DUCT FREE SPLIT SYSTEM MODEL NUMBER IDENTIFICATION GUIDE – OUTDOOR									
	DFC	2	A	3	09	J	1	A	1
DFC = Duct Free Condenser									
2 = R-22									
4 = Environmentally Sound R-410A REFRIGERANT									
A = Air Conditioner									
H = Heat Pump									
TYPE									
3 = 13									
4 = 14									
NAMEPLATE SEER									
09 = 9,000 BTUH = ¾ ton									
12 = 12,000 BTUH = 1 ton									
18 = 18,000 BTUH = 1½ tons									
24 = 24,000 BTUH = 2 tons									
30 = 30,000 BTUH = 2½ tons									
36 = 36,000 BTUH = 3 tons									
NOMINAL CAPACITY									
J = 115-1-60									
K = 208/230-1-60									
SUPPLY VOLTAGE									
1 = Single Zone									
2 = Dual Zone									
3 = Tri Zone									
SALES CODE / FEATURES									
Sales Code									
Engineering Revision									

DUCT FREE SPLIT SYSTEM MODEL NUMBER IDENTIFICATION GUIDE – INDOOR									
	DFF	2	A	H	09	J	1	A	1
DFF = Duct Free Fan Coil									
2 = R-22									
4 = Environmentally Sound R-410A REFRIGERANT									
A = Air Conditioner									
H = Heat Pump									
TYPE									
H = High Wall									
U= Under Ceiling									
C = Cassette									
APPLICATION									
09 = 9,000 BTUH = ¾ ton									
12 = 12,000 BTUH = 1 ton									
18 = 18,000 BTUH = 1½ tons									
24 = 24,000 BTUH = 2 tons									
30 = 30,000 BTUH = 2½ tons									
36 = 36,000 BTUH = 3 tons									
NOMINAL CAPACITY									
J = 115-1-60									
K = 208/230-1-60									
SUPPLY VOLTAGE									
1 = Single Zone									
2 = Dual Zone									
3 = Tri Zone									
SALES CODE / FEATURES									
Sales Code									
Engineering Revision									