

Active control, more features and an all-new exclusive media design make the Models 4200/4300/4400 the newest innovation in whole-home air cleaning.

Cabinet Features

- Models 4200/4300/4400 are whole home air cleaners.
- Units operation is completely silent.
- Only maintenance required is replacement of the disposable media.
- Outer housing is heavy gauge, preassembled galvanized steel, with an electrostatic painted finish.
- Self-aligning door easily snaps into place every time.
- Product and media are UL classified.
- Warranted for five (5) years from the date of installation to be free from defects in materials or workmanship. Media is disposable and does not apply to warranty.
- Narrow 6.75" cabinet for easier installations and more flexible applications.

Replacement MERV 13 Media Features

- Traps and permanently removes 75% of virus sized particles (.3 to 1 micron) and over 90% of dust sized particles (1.0 to 3.0 microns).
- Traps and permanently removes over 90% of pollen, mold and spore sized particles (3.0 to 10.0 microns).
- Collapsible media with self spacing pleats installs in seconds.
- Media replacement is recommended after one to two years depending on air flow.
- SelfSeal™ dramatically reduces air bypass, improving filter performance.
- Exclusive media design protects your replacement media business.

Air Cleaner Control Features

- Clean the home's air when it needs cleaning not only with a call for heating or cooling. Four settings to choose from:
 - Constant Clean (24 hour continuous performance)
 - Automatic (30 minute run-time every hour)
 - Event Clean (3 hour run-time only)
 - Allergies (24 hour run-time only)
- Control can be customized with your name and phone number
- Control can be installed in living space or next to equipment

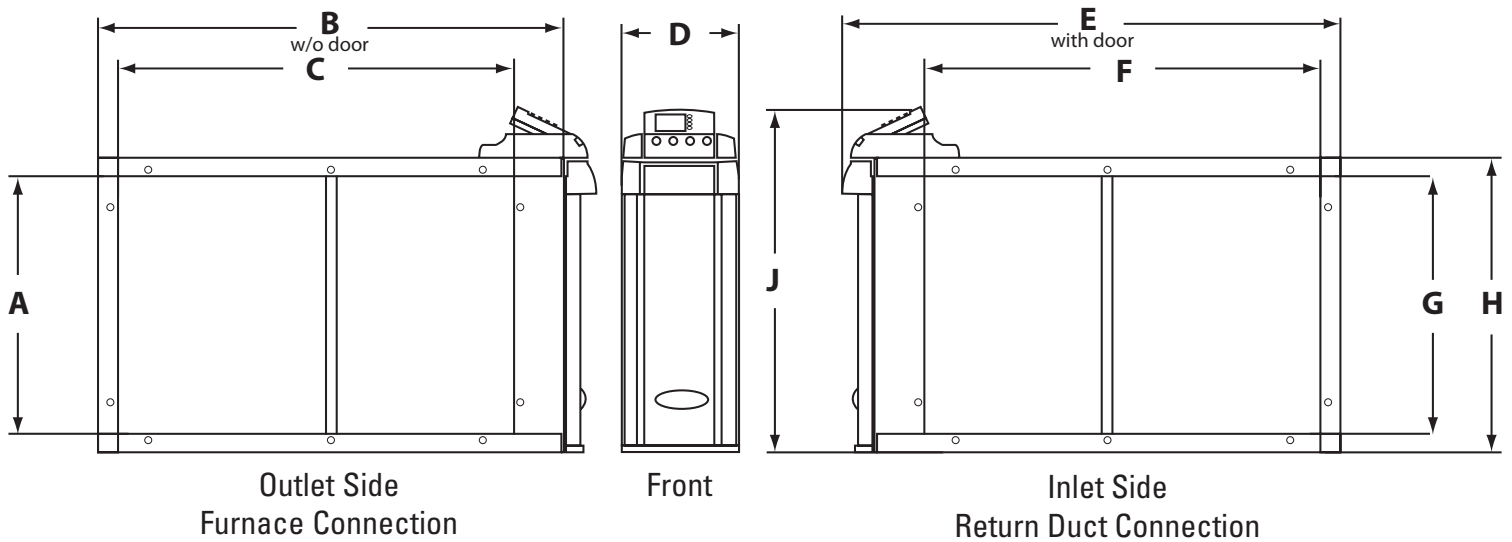


4200/4300/4400 UNITS

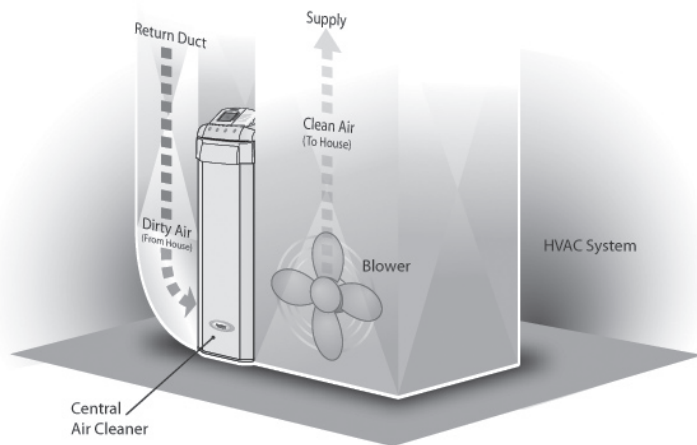
213/313/413 REPLACEMENT MEDIA (MERV 13)

	Resistance @ Airflow Volume (inches w.c. @CFM)	Shipping Weight	Filtering Media Area			Resistance @ Airflow Volume (inches w.c. @CFM)	Shipping Weight	Filtering Media Area
Model 4200	.06"@600 .20"@1400 .09"@800 .25"@1600 .12"@1000 .30"@1800 .16"@1200 .35"@2000	19 lbs.	31.4 sq. ft.		Model 213	.06"@600 .20"@1400 .09"@800 .25"@1600 .12"@1000 .30"@1800 .16"@1200 .35"@2000	29.4 lbs.	31.4 sq. ft.
Model 4300	.09"@600 .13"@800 .18"@1000 .23"@1200	16 lbs.	19.4 sq. ft.		Model 313	.09"@600 .13"@800 .18"@1000 .23"@1200	20.9 lbs.	19.4 sq. ft.
Model 4400	.06"@600 .22"@1400 .09"@800 .26"@1600 .13"@1000 .31"@1800 .17"@1200 .37"@2000	18 lbs.	28.3 sq. ft.		Model 413	.06"@600 .22"@1400 .09"@800 .26"@1600 .13"@1000 .31"@1800 .17"@1200 .37"@2000	28.8 lbs.	28.3 sq. ft.

APRILAIRE MODEL 4200/4300/4400 MEDIA AIR CLEANERS



Dimension	Description	Model 4200	Model 4300	Model 4400
A	Outlet Opening Height	19.75"	18.06"	15.44"
B	Outer Housing Depth Without Door	25.38"	20.06"	28.06"
C	Outlet Opening Width	21.19"	15.88"	23.88"
D	Unit Width	6.75"	6.75"	6.75"
E	Outer Housing Depth With Door	27.38"	22.06"	30.06"
F	Inlet Opening Width	21.19"	15.88"	23.88"
G	Inlet Opening Height	19.75"	18.06"	15.44"
H	Unit Height	22.06"	20.38"	17.75"
J	Unit Height with Electronic Control	25.19"	23.50"	20.88"



REPLACEMENT MEDIA

MODEL 4200 - APRILAIRE PART # 213

MODEL 4300 - APRILAIRE PART # 313

MODEL 4400 - APRILAIRE PART # 413

Aprilaire®
Your Partners in Comfort™

RESEARCH PRODUCTS RESERVES THE RIGHT TO CHANGE SPECIFICATIONS WITHOUT NOTICE.

RESEARCH PRODUCTS CORPORATION • PO Box 1467 • Madison, WI 53701-1467 • Phone 800/334-6011 • Fax 608/257-4357 • www.aprilairepartners.com