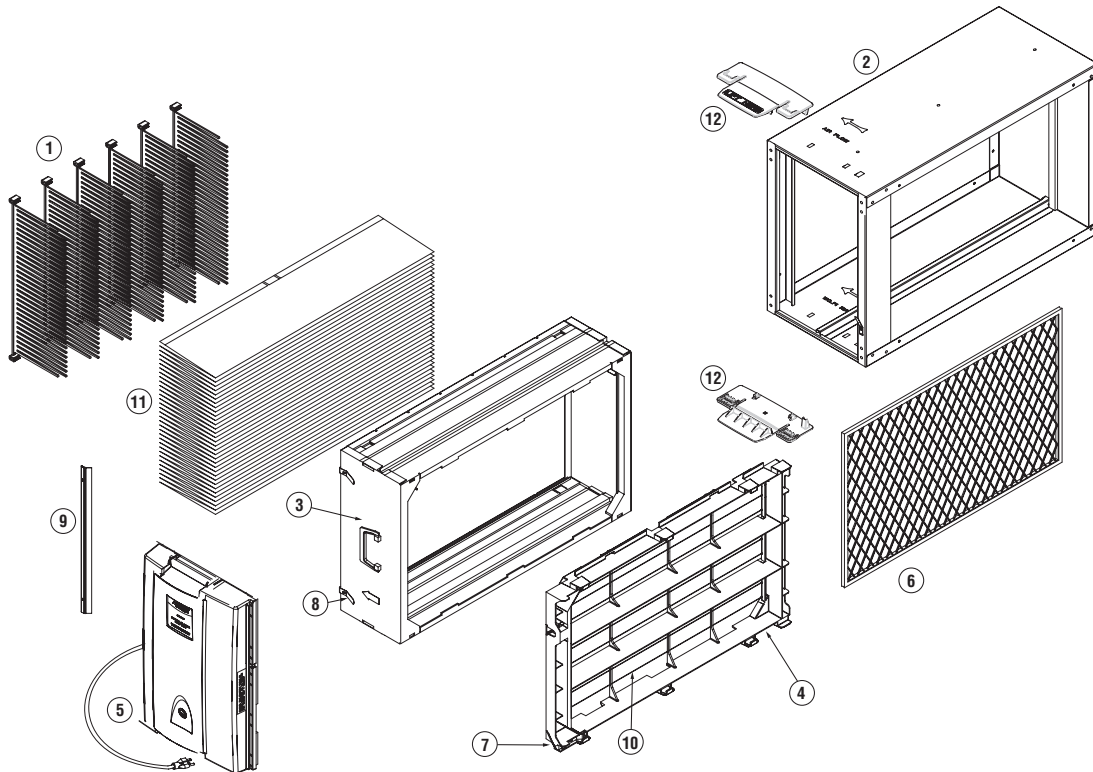


Air Cleaners Dealer Parts List

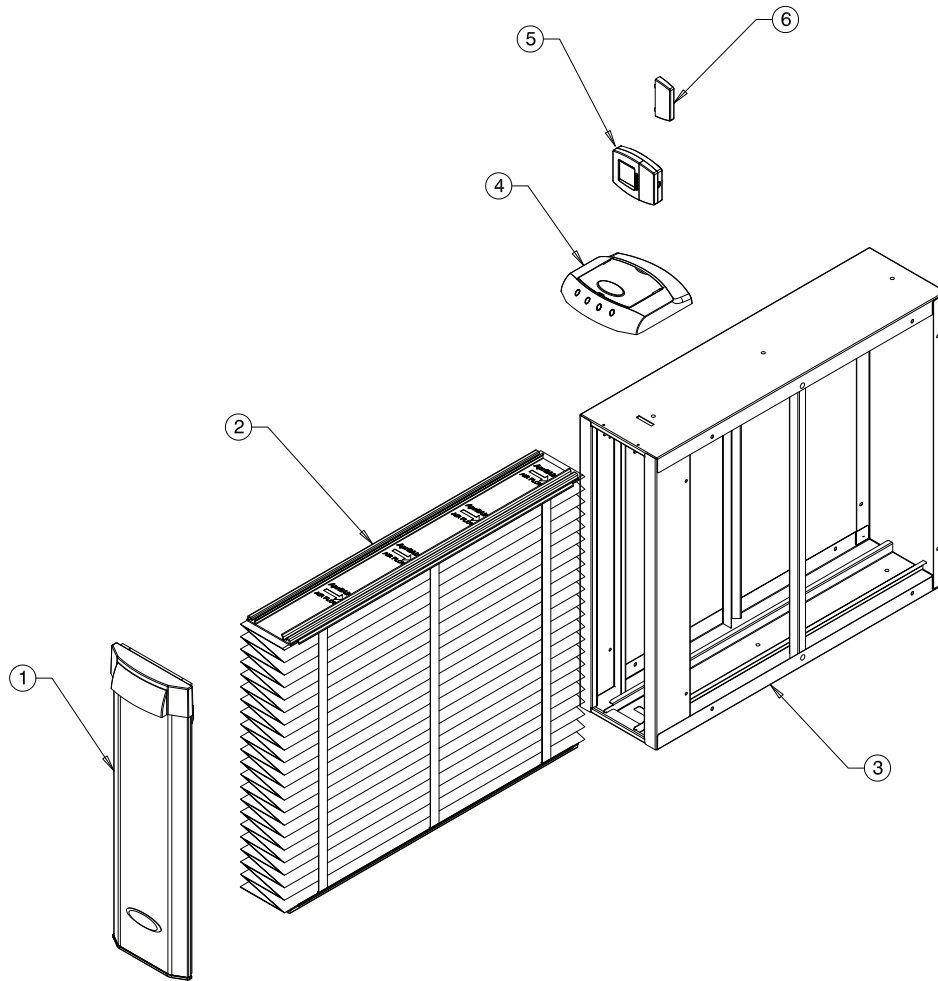
Aprilaire® Model 5000 Air Cleaner



NO.	PART NAME	Release Date May 2005		Release Date Prior May 2005	
		QTY/CTN	PART NO.	QTY/CTN	PART NO.
1	Pleat Spacer	6	4270	6	4270
2	Outer Housing - Almond	1	4597	1	4307
2	Outer Housing - Gray	1	4826	N/A	N/A
3	Inner Housing with Seals (Includes 6 Pleat Spacers)	1	4308	1	4308
4	Ionizer Frame Assembly	1	4598	1	4598
5	Power Pack/Door Assembly - Almond	Obsolete*		1	4310
5	PowerPack/Door Assembly - Gray (Release Date July 2008)	1	4827	N/A	N/A
6	Control Electrode	1	4311	1	4311
7	Ground Contact	1	4599	1	4599
8	Media Ground Contact	1	4313	1	4313
9	Media Ground Assembly	1	4314	1	4314
10	Ionizer Wire	3	4602	3	4315
11	Media (Individually Packaged)	10	501	10	501
12	Door Latch Replacement Kit	1	4600	N/A	N/A
13	LED Base for Air Cleaner Control	1	4830	N/A	N/A
14	Air Cleaner Control Battery Cover	1	4836	N/A	N/A
15	Air Cleaner Control & LED Base	1	4838	N/A	N/A
OTHER PARTS					
	Seal Kit	1	4704	1	4704
	Air Cleaner Control	1	4829	N/A	N/A

*Replaced by Part No. 4827

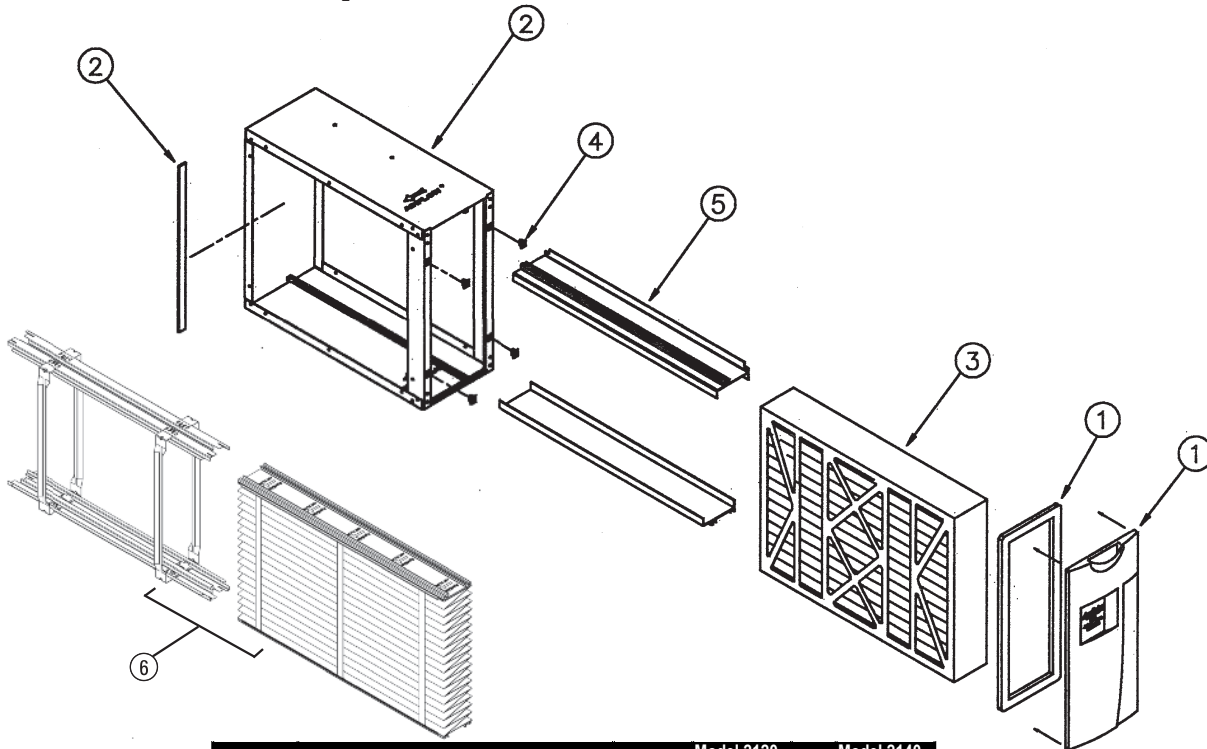
Aprilaire® Model 2210/2310/2410 and 4200/4300/4400 Air Cleaner



NO.	PART NAME	QTY/CTN	Model 1210		Model 1310		Model 1410	
			PART NO.	PART NO.	PART NO.	PART NO.		
1	Replacement Door	1	4867		4962		4868	
2	Aprilaire Replacement Media - MERV 13	8	213		313		413	
2	Aprilaire Replacement Media - MERV 11	8	210		310		410	
3	Replacement Housing	1	5334		5335		5336	

NO.	PART NAME	QTY/CTN	Model 4200		Model 4300		Model 4400	
			PART NO.	PART NO.	PART NO.	PART NO.		
1	Replacement Door	1	4867		4962		4868	
2	Aprilaire Replacement Media - MERV 13	8	213		313		413	
2	Aprilaire Replacement Media - MERV 11	8	210		310		410	
3	Replacement Housing	1	4834		4965		4835	
4	LED Base for Air Cleaner Control	1	4830		4830		4830	
5	Air Cleaner Control	1	4829		4829		4829	
4&5	Air Cleaner, Control & LED Base	1	4838		4838		4838	
6	Replacement Battery Cover	1	4836		4836		4836	

Aprilaire® Model 2120/2140 Air Cleaner

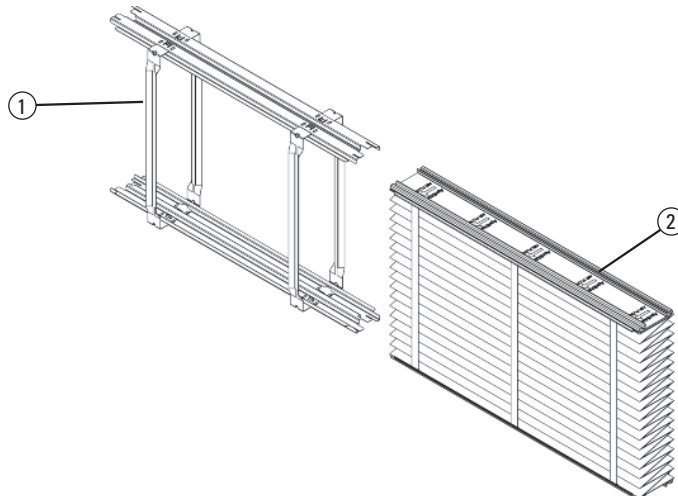


NO.	PART NAME	QTY/CTN	Model 2120	Model 2140
			PART NO.	PART NO.
1	Door	1	4623	4624
2	Outer Housing	N/A	N/A	N/A
3	Filter Cartridge	5	102	104
4	Latches	4	4349	4349
5	Cartridge Channels		Obsolete	4635
6	Upgrade Kit	6	1213	1413
OTHER PARTS				
	Styrofoam Door Seal for Upgrade Kit 1213	20	4895	N/A
	Styrofoam Door Seal for Upgrade Kit 1413	20	N/A	4896

*Each Carton

**Replaced by Part No. 1413 Upgrade Kit

Competitive Upgrade Kits

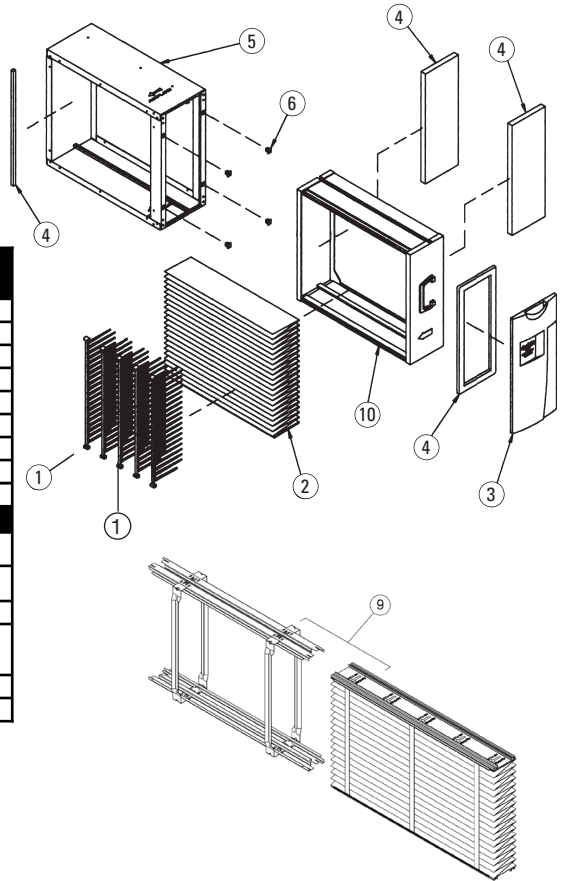


	PART NAME	QTY/CTN	PART NO.
1	Conversion Frame	1	4897
2	610 Media, 16" x 25" Merv 11	1	610
2	613 Media, 16" x 25" Merv 13	1	613
2	810 Media, 20" x 25" Merv 11	1	810
2	813 Media, 20" x 25" Merv 13	1	813

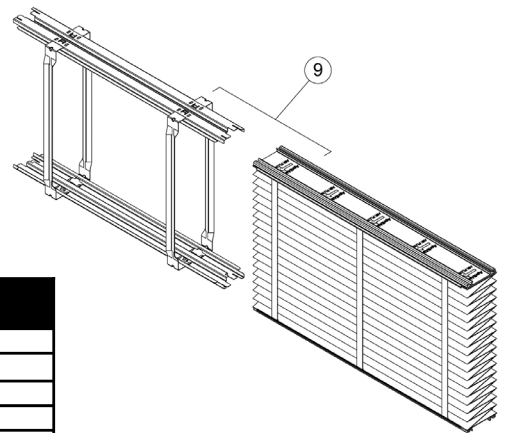
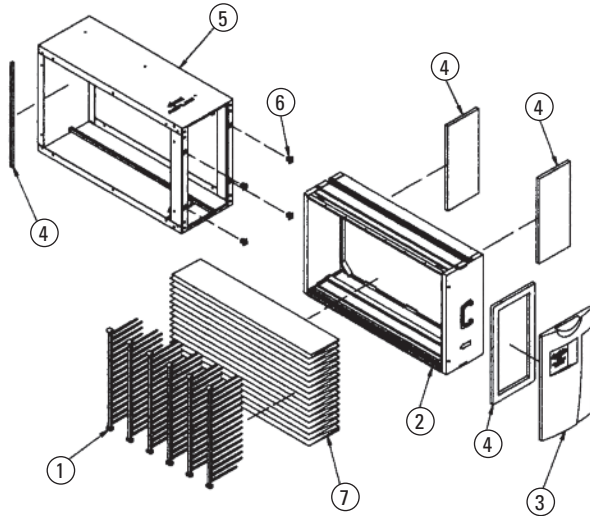
Aprilaire® Model 2200 Air Cleaner

NO.	PART NAME	Release Date May 2002		Release Date Prior May 2002	
		QTY/CTN	PART NO.	QTY/CTN	PART NO.
1	Pleat Spacer	5	4119	5	4119
2	Media	10	201	10	201
3	Plastic Door with Seal - Almond	1	4344	1	4207
	Plastic Door with Seal - Grey	1	4822	N/A	N/A
4	Seal Kit	1	4725	1	4725
5	Outer Housing	N/A	N/A	N/A	N/A
6	Latches	4	4349	N/A	N/A
7A	Door Retainer and Spacers (Screw-In)	1	4208	1	4208
7B	Door Retainer and Spacers (Snap-In)	N/A	N/A	1	4268
OTHER PARTS					
9	Media Upgrade Kit	6	1213	6	1213
10	Plastic Inner Housing w/Seals (4114)	Obsolete - Please see Part No. 1213, Media Upgrade Kit			
	Styrofoam Door Seal for Upgrade Kit 1213	20	4895	N/A	N/A
	Holding Brackets	2	4121	2	4121
	Seal for Metal Door	1	4210	1	4210
	Control Upgrade Kit	1	4838	1	4838

*Aprilaire suggests upgrading to Part No. 1213 Upgrade Kit to replace pleat spacer for ultimate performance of Model 2200.



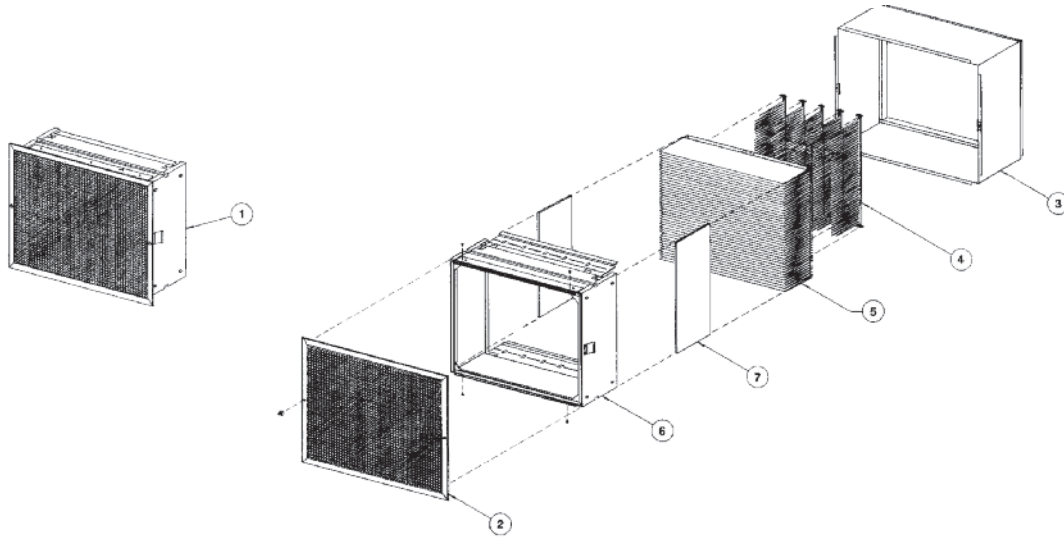
Aprilaire® Model 2400 Air Cleaner



NO.	PART NAME	Release Date May 2002		Release Date Prior May 2002	
		QTY/CTN	PART NO.	QTY/CTN	PART NO.
1	Pleat Spacer	6 Pak	4270	6	4270
2	Plastic Inner Housing w/Seals (4272)	Obsolete - Please see Part No. 1413, Media Upgrade Kit			
3	Plastic Door with Seal - Almond	1	4347	1	4271
	Plastic Door with Seal - Grey	1	4824	N/A	N/A
4	Seal Kit	1	4724	1	4724
5	Outer Housing	N/A	N/A	N/A	N/A
6	Latches	4	4349	N/A	N/A
7	Media	10	401	10	401
OTHER PARTS					
9	Media Upgrade Kit	6	1413	6	1413
	Styrofoam Door Seal for Upgrade Kit 1413	20	4896	N/A	N/A
	Control Upgrade Kit	1	4838	1	4838

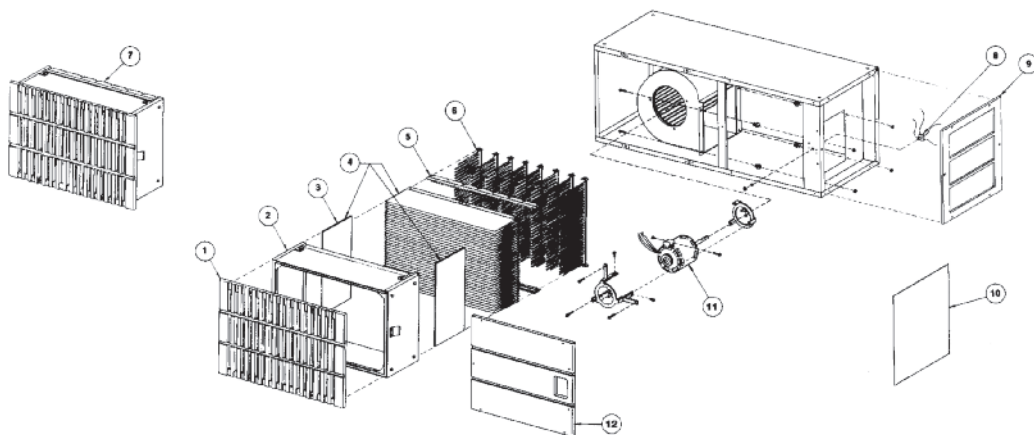
*Aprilaire suggests upgrading to Part No. 1413 Upgrade Kit to replace pleat spacer for ultimate performance of Model 2400.

Aprilaire® Model 2250 Air Cleaner



NO.	PART NAME	QTY/CTN	PART NO.
1	Complete Grille Assembly	1	4130
2	Grille	1	4132
3	Rough-In-Box	1	4133
4	Pleat Spacers**	5	4119
5	Media	10	201
6	Housing Without Grille (Includes 5 Pleat Spacers)	1	4131
7	Inner Housing Seal Kit	1	4168
OTHER PARTS			
	Holding Brackets	2	4121

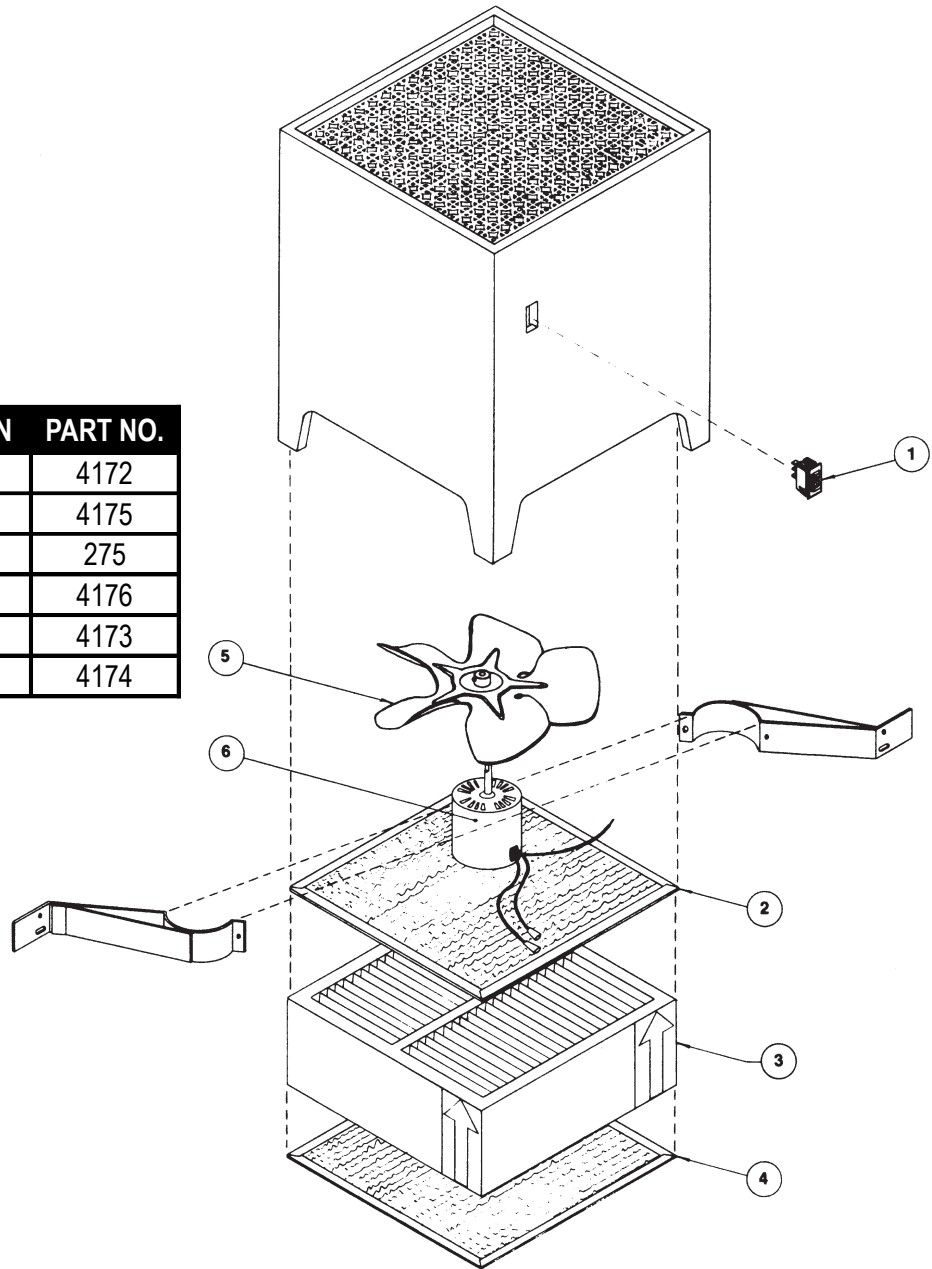
Aprilaire® Model 2600 Air Cleaner



NO.	PART NAME	QTY/CTN	PART NO.
1	Grille Without Housing	1	4145
2	Inner Housing With Seals	1	4177
3	Inner Housing Seals	2	4168
4	Media and 2 Seals	10	261
5	Holding Brackets	2	4125
6	Pleat Spacers**	4	4120
7	Inlet Cover Assembly	1	4135
8	Master Switch	1	4134
9	Outlet Frame Assembly	1	4169
10	Grille Cloth Only	1	4158
11	Motor	1	4138
12	Motor Access Door	1	4178

Aprilaire® Model 2275 Air Cleaner

NO.	PART NAME	QTY/CTN	PART NO.
1	Switch	1	4172
2	Safety Screen	1	4175
3	Media	10	275
4	Pre-Filter	1	4176
5	Fan Blade	1	4173
6	Motor	1	4174



Aprilaire®