

Aprilaire Dehumidifier Troubleshooting Manual

Models 1830, 1850, 1870

Table of Contents

Troubleshooting Diagnostic Codes	2
E1	2
E2, E3.....	3
E4.....	4
E5, E6.....	7
E7, E8.....	8
E9.....	9
Verifying Capacity.....	10
Water Leaks	15
Fan Does Not Function	15
Circuit Breaker Trips	16
Defrost, E8, Noise.....	17
Parts Lists.....	18
Electrical Schematics	22

Instruments you will need to complete troubleshooting:

1. Digital Multi-Meter (DMM) capability of measuring
 - AC and DC voltage
 - Resistance
 - Capacitance

Minimum tools needed to complete troubleshooting:

1. Torx T20 and T25 screwdrivers or driver bits
2. Small (terminal) flat head screwdriver
3. Needle nose pliers
4. Level (to troubleshoot water leak claims)



WARNING: 120-volts can cause serious injury or death. Do not touch live, exposed 120-volt wiring or wiring terminals.

Troubleshooting must be performed by a qualified HVAC service person trained to take the proper safety precautions when performing service on 120-volt equipment.

Troubleshooting Diagnostic Codes

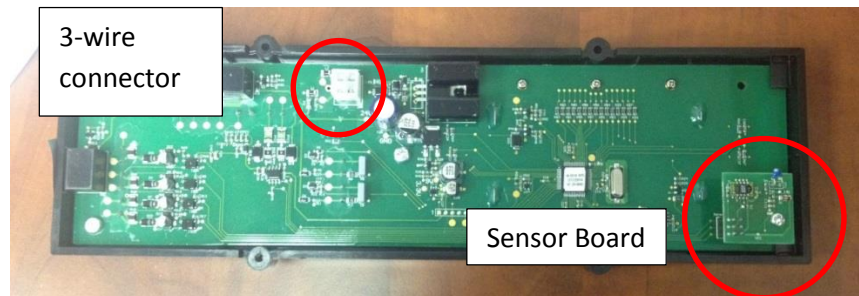
The display on the dehumidifier will show the diagnostic code and “SERVICE REQUIRED” when the unit is turned ON. If more than one code is detected, they are displayed consecutively:

E1 - Internal %RH/Temperature Sensor Failure: The User Interface Assembly is not receiving a good signal from the temperature/RH sensor.

1. If the unit was built before the 21st week of 2015 and/or has a user interface board with Version V2.3 or earlier, determine if the unit is installed in conditions where the potential for condensation on the sensor board could occur (see note below photos). If the unit does not have the board with the E1 code change, replace the user interface assembly (5445).



2. Turn off power to the dehumidifier using the ON/OFF toggle switch. Remove the User Interface Assembly by first removing the four screws securing it to the housing. Carefully pull the User Interface Assembly away from the housing and disconnect the three wire cable from the back of the User Interface Assembly to be able to pull the User Interface Assembly totally away from the dehumidifier. The small circuit board screwed to the back of the User Interface Assembly is the sensor board. Replace the RH Sensor board (5460).



NOTE E1 Code Change: Beginning with serial number 212015A16241 the code was changed to V2.4. E1 and E8 will no longer occur when in External & Single Zone Mode. When in this mode combination, the dehumidifier will not check the inlet air condition and will not use the on board sensor board to sample the indoor temperature or humidity. This change is to eliminate issues in geographic regions where the dehumidifier is installed with external control, in an environment that has periods of cold temperatures and there is still a dehumidification demand. Condensation can form on the sensor board and sensors, causing an E1 fault.

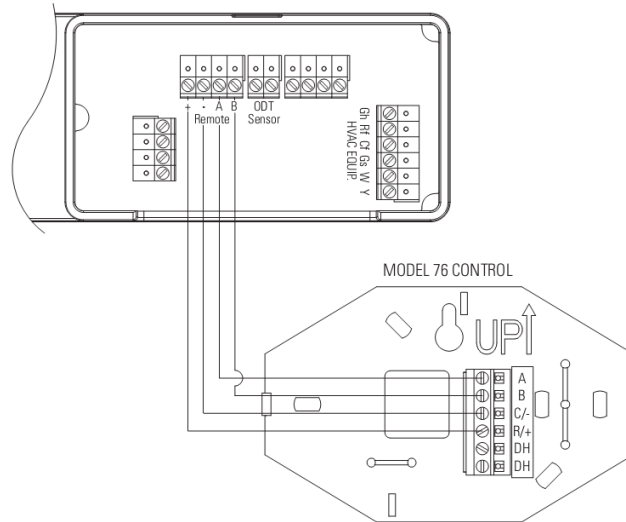
E2 – High Refrigeration Pressure: The temperature of the discharge line exceeds 190°F. This is self-correcting unless it occurs for five consecutive compressor starts. This is usually caused by the inlet air temperature being too high (i.e. greater than 100°F), or very low airflow through the dehumidifier.

1. Turn the ON/OFF toggle switch OFF to reset the diagnostic code.
2. If the fan is not working, see “Fan does not Function” section on page 15.
3. Consider the following for the application:
 1. If ducting to the HVAC system, make sure the inlet to the dehumidifier is not ducted to the supply side of the HVAC system.
 2. Attic installations – Inspect the ductwork attached to the inlet of the dehumidifier for leaks if the ambient temperature is high.
 3. Ventilation applications – High temperatures may be offset by mixing air from the home into the dehumidifier.

E3 – Model 76 Remote Control Communication Loss: A Model 76 control, wired to the Remote terminals of the User Interface Assembly, had communication, but has now stopped communicating.

Note: For E3 to be displayed, the method of control had to have been set up for a Remote control. This is done by selecting Remote Enabled in the set-up menu.

1. Use the color of the wire connected to the A, B, + and – (on the Model 76, the “+” and “-“ terminals are labeled “R/+” and “C/-“) terminals on both the base of the Model 76 and the dehumidifier User Interface Assembly to verify that they are wired correctly. Make sure the terminal screws on both the User Interface Assembly and the Model 76 base are tight.
2. Remove the Remote terminal block from the User Interface Assembly and measure the DC voltage across the + and – pins on the User Interface Assembly – this should read approximately 35 V DC ($\pm 3V$ for voltage variation and load). If there is 0 volts, the User Interface Assembly (5445) must be replaced. If in range, reinstall the Remote terminal block.
3. If connections are correct and secure, turn off the dehumidifier and remove the Model 76 control. Use a short section of 4-wire cable to reconnect the Model 76 to the User Interface Assembly to see if there is a problem with the existing wire. Turn the dehumidifier back on. If the “E3” code continues, the Model 76 must be replaced, if the code is gone, then the wire between the Model 76 and the dehumidifier must be replaced.



E4 – Insufficient Capacity: The temperature of the suction line, as sensed by the Frost Sensor, has not dropped at least 5°F in 20 minutes from the temperature it was when the compressor started. One reason this would happen is if the dehumidifier went from a cold condition to a warm condition very quickly (e.g. coming off a cold truck into a warm home) AND there was little airflow through the unit prior to the compressor starting. If this is possibly the case, then allow the dehumidifier to acclimate to the conditions for one hour before restarting.

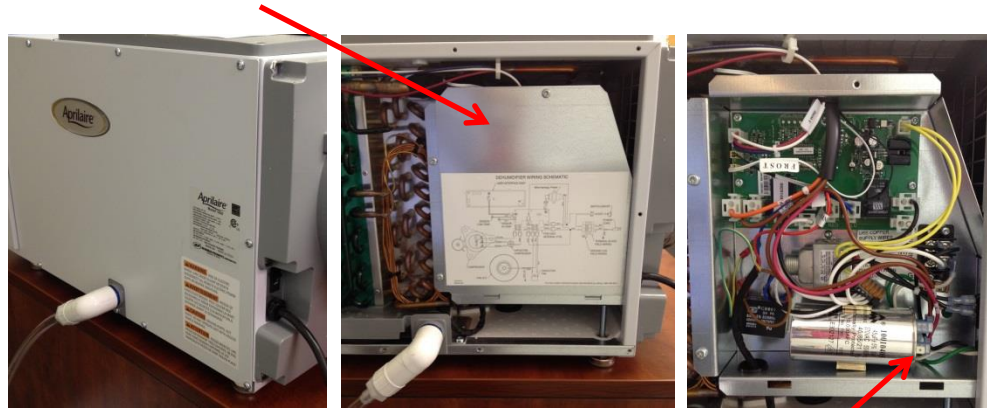
Other reasons this code would be displayed is if the compressor is not running or if the refrigeration system is not operating properly.

1. Use the ON/OFF button on the User Interface Assembly to turn the mode to OFF, then flip the ON/OFF toggle switch to OFF, to reset the diagnostic code.
2. Turn the ON/OFF toggle switch back ON. With the mode still OFF, Press and hold the MODE button and ON/OFF button to enter the Installer Test Mode.
3. The fan will run for 3 minutes with the display showing “AIR SAMPLING” and “TEST”, and the inlet air RH. After three minutes, the “DEHUMIDIFYING” will replace “AIR SAMPLING” on the display and the compressor will start – you should be able to hear this. The compressor will run for one minute, and then the display will show “TEST DONE” and return to the OFF mode.

If the compressor didn’t start (go to step 4), there is an electrical issue to address. **If the compressor did start (go to step 5),** then you will need to verify that the refrigeration system is working properly.

4. If the compressor doesn't start

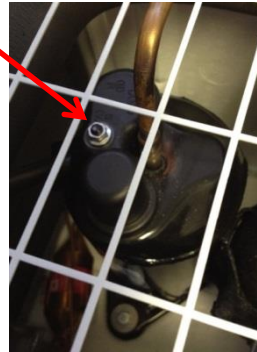
- a. Turn the ON/OFF toggle switch to OFF.
- b. Remove the panel on the side of the dehumidifier where the drain tube comes out, and then remove the insulation piece. Inside the dehumidifier, remove the electrical box cover.



Run Capacitor Poles

- c. Verify that the brown and orange wires are connected to the Internal Control board. Verify that two brown wires are connected to one pole of the run capacitor and one red wire is connected to the other pole. Give each wire a light tug to make sure all connections are sound.
 - **If any of the wires were disconnected**, place the side panel back on (do not secure with screws yet), and repeat steps 2 and 3 above. If it starts, go to step 5 to verify the performance of the refrigeration system before leaving. If it still does not start, continue to the next step (d.).
 - **If none were disconnected**, continue to the next step (d.).
- d. Turn the ON/OFF toggle switch back ON. With the side panel still off, stay clear of the fan motor and repeat steps 2 and 3 above.
- e. **If the COMP LED is on but the compressor is not**, remove the locking tab connectors from the compressor BRN and ORG terminals and measure the voltage at the pins on the Internal Control board:
 - **If the voltage is 120VAC** (nominal) then the problem lies with the run capacitor, the connections at the compressor or the current limiting switch under the compressor cap. Turn the ON/OFF toggle switch OFF and unplug the unit.
 - Disconnect the wires connected to the run capacitor and the orange wire connected to the Internal Control board. Measure the capacitance of the run capacitor – it should be 45 microfarads \pm 5% for the 70/95pt or 50 microfarads \pm 5% for the 130pt. If not, replace the capacitor (5458 70/95pt or 5594 130pt).
 - Measure the resistance across the compressor harness wires. Actual measurements may be a little different, but should be approximately:

Orange – Red: 1.1Ω, Orange – Brown: 1.9Ω, Red – Brown: 2.7Ω. If the Orange-Red **and** Orange-Brown measurements are open (infinite) but the Red-Brown measurement is normal, then the compressor overload switch (5547 70pt / 5548 95pt / 5574 130pt) under the compressor cap needs to be replaced. If just one is open, then it is likely a connection at the compressor has come loose – remove the compressor cap and check the terminal connections.



- **If the voltage is 0 VAC**, replace the Internal Control board (5444).

5. **If the compressor does start**, there are four reasons why an E4 diagnostic code would appear: the system has lost refrigerant, sudden changes to the environment, turning on too soon after having turned off or the Frost sensor and high temperature sensor are reversed.
- If applicable, disconnect the duct from the discharge of the dehumidifier. Verify that the flap damper on the outlet of the dehumidifier opens/closes freely.
 - Verify that there is not a lengthy amount of ductwork (more than 50 feet) attached to the inlet side, that the ductwork is free of obstructions and kinks and that the filter is clean – remove the filter for this test if dirty.
 - Ensure all of the dehumidifier panels are in place and assembled with screws. **DO NOT REMOVE PANELS DURING THIS TEST.**
 - Turn the ON/OFF toggle switch ON and have the mode set to OFF.

IMPORTANT: MAKE SURE THE AIR ENTERING THE DEHUMIDIFIER IS WARMER THAN 50°F AND COOLER THAN 100°F TO GET USEFUL INFORMATION

- Turn the mode to ON using the ON/OFF button. Lower the RH setting to as low as it will go. The fan will run for three minutes and then the compressor will turn on.
- After two minutes (one minute before the compressor turns on), press and hold the MODE and UP buttons for three seconds then release. Use the UP or DOWN buttons to scroll through the inlet air temperature (display shows value and “AIR SAMPLING”), inlet air RH (display shows value and “% RH”) and suction line

temperature (display shows value only). The inlet air temperature and suction line temperature should be within a few degrees of each other.

- g. Perform the same series of button presses again after 15 minutes of compressor run time to determine if the suction line temperature has dropped fifteen degrees (15°F) or more. If the inlet air temperature is cold (i.e. around 60°F or below) or the air is very humid (i.e. 60% or higher) the drop may be less than 15°F, but should be more than 10°.
- **If there is a temperature rise** then the Frost Sensor and High Temperature sensor have been reversed. Switch the connection on the internal power board.
 - **If there is no temperature drop** then there is likely a refrigerant leak and the unit will need to be replaced.
 - **If the temperature drop is 15° or more**, then the reason for the E4 diagnostic code was likely that there was a sudden change in environment or the unit was cycled too quickly. The dehumidifier records the temperature of the suction line just prior to the compressor starting, and compares this value to the suction line temperature 20 minutes after the compressor has been running. If the initial reading were artificially low, the difference between initial and final would also be artificially low. During normal operation, the environment does not change quickly enough for this to be an issue, but can be on initial installation or if turning the unit on/off using the ON/OFF button to override normal time between cycles.

On first installation, allow the dehumidifier to acclimate to the environment before completing the installation. Use the ON/OFF button to turn the unit on. Press the MODE and UP buttons to check the inlet air temperature, inlet air RH and suction line temperature. If the suction line temperature is not within a few degrees of the inlet air temperature, allow the unit to sit for at least one hour and then recheck.

If cycled too rapidly, the suction line will not have adequate time to reach room conditions. After completing system checkout, allow the dehumidifier to sit for at least 15 minutes before turning it on to the desired operating setting.

E5 or E6 – Temperature Thermistor Failure: The signal from the High Temperature Thermistor (E5) or Low Temperature Thermistor (E6) is open or shorted. The most likely reason for this code is a loose connection at the Internal Control board or a failed sensor.

1. Turn the ON/OFF toggle switch OFF. Remove the side panel, insulation and electrical box cover.
2. Remove the connectors for the “Frost Sensor” and “Hi Temp” and measure the resistance across the terminals of the connector and make sure it is in the range shown in the table at the right depending on the temperature in the space.



Temp (°C)	Temp (°F)	Resistance (kΩ)
0	32	32.6
10	50	19.8
20	68	12.5
30	86	8.1
40	104	5.3
60	140	2.5

3. Reinstall the sensor connectors on the Internal Control board and turn ON/OFF toggle switch ON to reset the code.

E7 – Float Switch Open: The Float Switch input to the User Interface Assembly is open. This will occur if there is a float switch installed, and there is sufficient water in the secondary drain pan to cause the float switch to open, or if the installed float switch is faulty or not the appropriate type (must be a normally open switch that is not powered). If a float switch is not installed, the jumper in the Float Switch terminals is missing or not properly seated.



1. Leave the unit ON with the code showing. It will self-correct without having to turn the unit OFF to reset when the source that initiated the code has been repaired.
2. If a float switch is installed, drain any water out of the secondary drain pan.
3. Remove the Float Switch terminal block from the User Interface Assembly and inspect the terminal block to ensure the wires are properly seated. If a float switch is installed, do a continuity check between the float switch terminals – there should be continuity. Reset/replace the float switch if needed.
4. If a jumper is installed, remove the jumper and reinstall paying particular attention to the retention of the wire within the terminal.

E8 – Inlet Air Temperature Out of Range: The temperature of the incoming air is less than 50°F or is higher than 104°F, or the dew point is below 40°F when the compressor is attempting to start. The most likely cause for this diagnostic code is that the dehumidifier is installed in an application with temperatures outside of the specification for this product or there are leaks in the ductwork causing temperature extremes at the dehumidifier inlet. THIS CODE IS SELF-CORRECTING AND WILL RETURN TO NORMAL OPERATION THE NEXT TIME THE AIR IS SAMPLED AND IS WITHIN THE ALLOWABLE RANGE. NOTE: This fault will not occur if set to

External Control and Single Zone. If this is event driven (i.e. used for ventilation and the outdoor air is particularly hot, or used for crawl space dehumidification and the outdoor air is particularly cold), simply allow the unit to reset itself. To reset the code the before it resets itself and/or to investigate the cause:

1. Turn the ON/OFF toggle switch OFF and to reset the diagnostic code.
2. Consider the following for the application:
 - All installations – If ducting to the HVAC system, make sure the inlet to the dehumidifier is not ducted to the supply side of the HVAC system.
 - Attic installations – Inspect the ductwork attached to the inlet of the dehumidifier for leaks if the ambient temperature is high.
 - Basement installations – Low temperature may be offset by mixing air from the home into the dehumidifier.
 - Crawlspace space applications – The dehumidifier will correct itself when the low temperature conditions stop.
 - Ventilation applications – High or low temperatures may be offset by mixing air from the home into the dehumidifier.

E9 – Outdoor Temperature Sensor Failure: The signal from the Outdoor Temperature Sensor is out of range. This will show only if the ventilation feature has been enabled, and temperature limits have been selected. While this code is self-correcting, it was likely initiated by a problem that must be fixed. The most likely reason for this diagnostic code is a loose connection at the User Interface Assembly or a failed sensor.

1. Remove the wiring access cover of the User Interface Assembly located next to the display.
2. Remove the ODT Sensor terminal and measure the resistance across the terminals to make sure it is in the range shown in the table below depending on the temperature outside. If the sensor is shorted (zero resistance) or open (infinite resistance), replace the outdoor temperature sensor (8052).



Temp (°C)	Temp (°F)	Resistance (kΩ)
0	32	32.6
10	50	19.8
20	68	12.5
30	86	8.1
40	104	5.3
60	140	2.5

3. Reinstall the terminal block on the User Interface Assembly and turn ON/OFF toggle switch ON to reset the code.

Verifying Capacity

If the unit is functioning properly, and there are no diagnostic codes present, this procedure can be used if there is concern that the dehumidifier is not removing sufficient moisture. **This procedure requires that the external static pressure of the dehumidifier be known and that the user has measuring equipment capable of measure air conditions between 50°F – 100°F, and 5% RH to 70% RH.** If ducted from the return to the supply of the HVAC system, make sure the HVAC system is not operating during this test; the HVAC system must be on if the unit is ducted return to return. If the unit is not ducted to the HVAC system, then it does not matter. Use the graphs and airflow performance tables provided to convert the inlet/outlet air conditions and airflow to air moisture removal rates. If the inlet air conditions are not within those listed on the table(s), contact Aprilaire Technical Support Monday through Friday from 7:00 a.m. to 5:00 p.m. CST at (800) 334-6011 for assistance in determining performance.

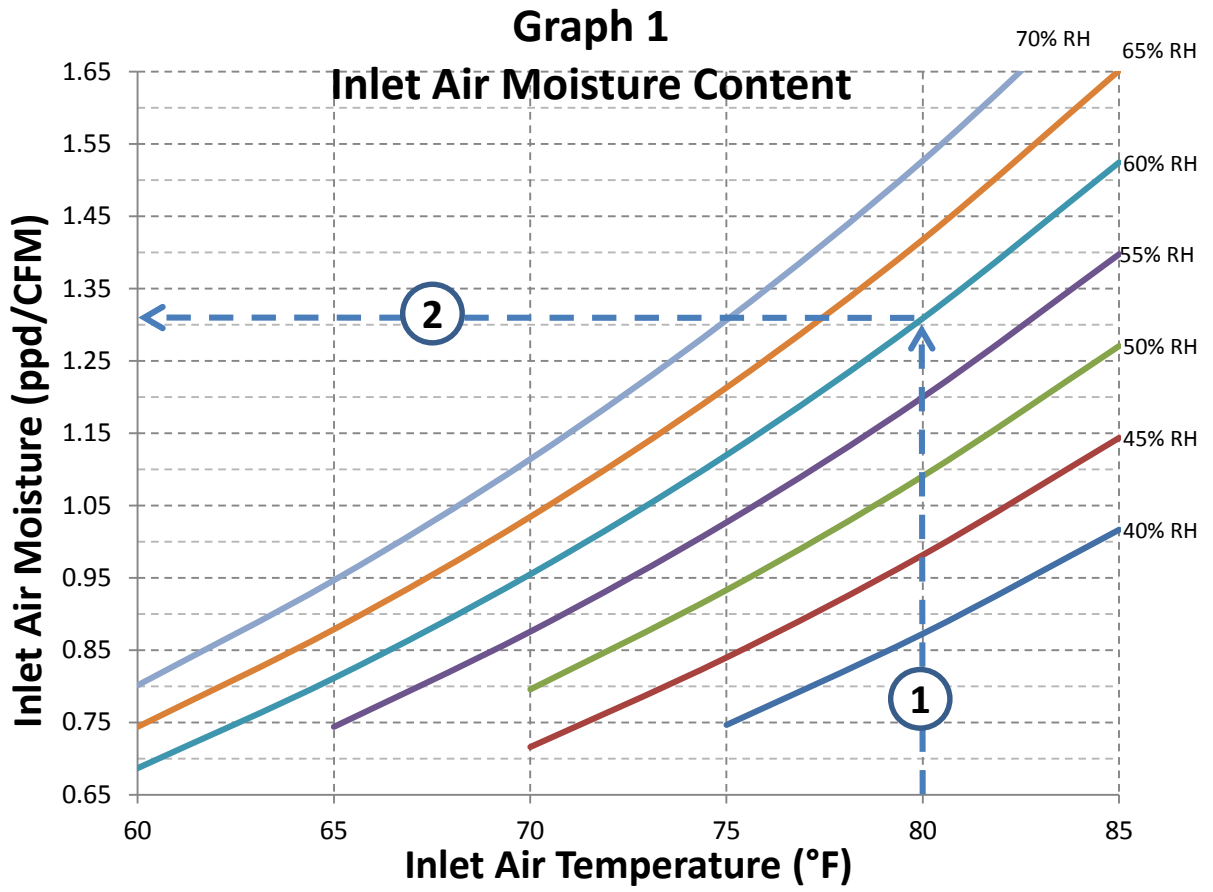
1. Verify that the flap damper on the outlet of the dehumidifier opens/closes freely.
2. Verify that the ductwork is free of obstructions and kinks and that the filter is clean – remove the filter for this test if dirty.
3. Ensure that all panels are in place and assembled with screws. **DO NOT REMOVE PANELS DURING THIS TEST.**
4. Adjust the control lowest setting 40% (do not put the unit in TEST mode as this will allow the compressor to run for only one minute) to initiate a dehumidifier call. **Note:** If the dew point of the air is below 40°F, the dehumidifier compressor will not turn on.
5. Measure the static pressure between the inlet and outlet of the dehumidifier and record the corresponding airflow from the tables below (use an 1830 @ 0.20" w.c. static for example):

Static Pressure ("w.c.)	Airflow (CFM)
0.0	160
0.1	140
0.2	120
0.3	100

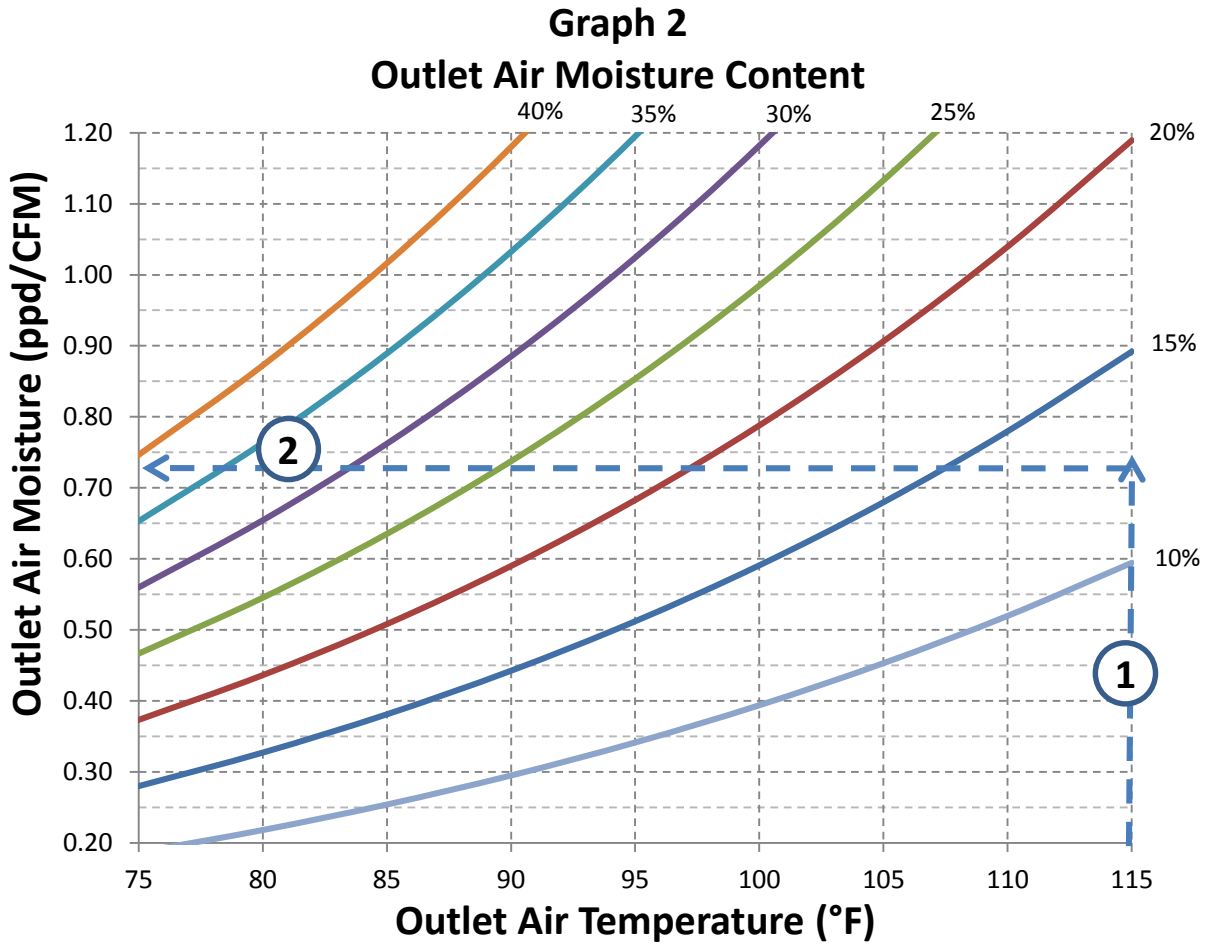
Static Pressure ("w.c.)	Airflow (CFM)
0.0	245
0.1	230
0.2	215
0.3	200

Static Pressure ("w.c.)	Airflow (CFM)
0.0	310
0.1	290
0.2	270
0.3	250

6. Allow the dehumidifier to run long enough to get a good, stable reading – 15 minutes minimum.
7. Press and hold the MODE button and UP button for 3 seconds. Use the UP or DOWN button to scroll to and record the inlet air temperature (display shows "AIR SAMPLING" along with the value) and RH of the inlet air.
8. Find the inlet air moisture content in Graph 1 below. Locate the inlet air temperature at the bottom of the graph and draw a straight line up until you meet the inlet air RH curve then read the moisture content at the left (1.31 ppd/CFM @ 80°, 60% RH for Model 1830 example shown).



9. Move a temperature/humidity measuring instrument to the outlet of the dehumidifier.
10. Allow time for the measuring instrument to get a good, stable reading.
11. Record the outlet air temperature and RH.
12. Find the outlet air moisture content in Graph 2 below. Locate the outlet air temperature at the bottom of the curve and draw a straight line up until you meet the outlet air RH curve then read the moisture content where the two intersect at the left (.72 ppd/CFM @ 115°, 12% RH example shown).



13. Subtract the outlet air moisture content from the inlet air moisture content to determine the amount of moisture being removed by the dehumidifier.

EXAMPLE:

Measured Static Pressure = 0.2" w.c.

Airflow From Table 1 or 2 = 120 CFM

Inlet Air Temperature = 80°F

Inlet Air %RH = 60%

Inlet Air Moisture Content (Graph 1) = 1.31 ppd/CFM

Measured Outlet Temperature = 115°F

Measured Outlet %RH = 12%

Outlet Air Moisture Content (Graph 2) = 0.72 ppd/CFM

$$\text{Dehumidifier Capacity} = (\text{Inlet Air Moisture Content} - \text{Outlet Air Moisture Content}) * \text{Airflow}$$
$$(1.31 \text{ ppd/CFM} - 0.72 \text{ ppd/CFM}) * 120 \text{ CFM} = 70 \text{ ppd}$$

14. Compare the capacity to the approximate performance in the table below. Performance should be within about 20% of the capacity listed below due to the estimation of airflow through the unit:

1830 Capacity				
Inlet Air RH	Inlet Air Temperature (°F)			
	60	65	70	80
60%	40 ppd	50 ppd	57 ppd	70 ppd

1850 Capacity				
Inlet Air RH	Inlet Air Temperature (°F)			
	60	65	70	80
60%	53 ppd	61 ppd	73 ppd	95 ppd

1870 Capacity				
Inlet Air RH	Inlet Air Temperature (°F)			
	60	65	70	80
60%	xxx ppd	xxx ppd	98 ppd	130 ppd

WORKSHEET:

Measured Static Pressure = _____ "w.c.

Airflow From Table 1 or 2 = _____ CFM

Table 1

Model 1830	
Static Pressure ("w.c.)	Airflow (CFM)
0.0	160
0.1	140
0.2	120
0.3	100

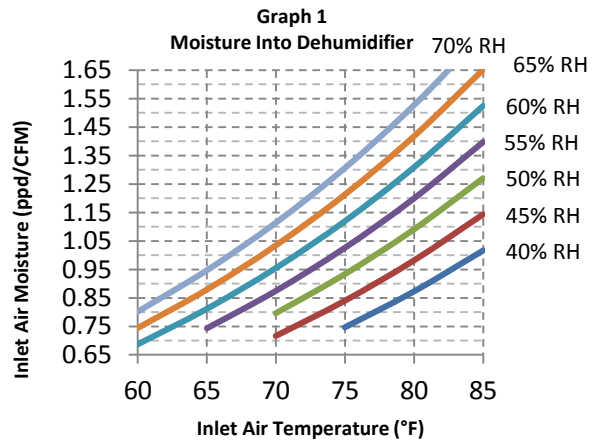
Table 2

Model 1850	
Static Pressure ("w.c.)	Airflow (CFM)
0.0	245
0.1	230
0.2	215
0.3	200

Inlet Air Temperature = _____ °F

Inlet Air %RH = _____ %

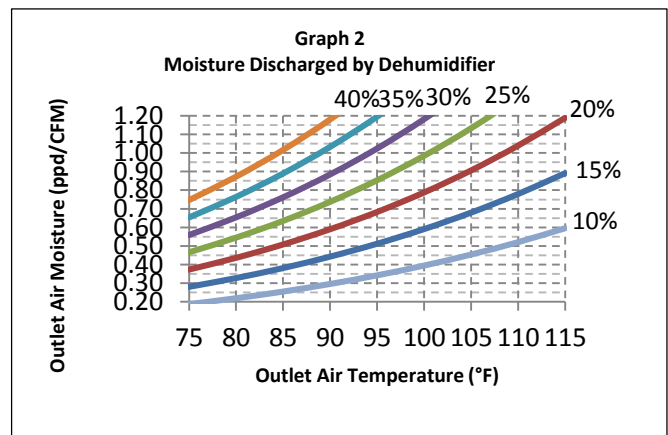
Inlet Air Moisture Content (Graph 1) = _____ ppd/CFM



Measured Outlet Temperature = _____ °F

Measured Outlet %RH = _____ %

Outlet Air Moisture Content (Graph 2) = _____ ppd/CFM



Dehumidifier Capacity = (Inlet Air Moisture Content – Outlet Air Moisture Content) * Airflow

_____ ppd = (_____ ppd/CFM – _____ ppd/CFM) * _____ CFM

Performance should be within about 20% of the capacity listed on the previous page.

Water Leaks

Water collects in the drain pan below the coils and is directed through the drain tube to the outlet at the outlet side of the dehumidifier.

1. **Level the unit front to back, and side to side. Make sure any hard pipe or drain fittings are completely glued to the drain pan outlet.**
2. Clean or replace the drain tubing. The drain tubing must have a continual downward slope to the drain.

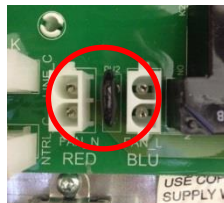
IMPORTANT: If using ½" vinyl tubing for the drain line, ensure that there are no upward bends in the tube that could act as a secondary trap – this will cause an air-lock that could prevent the flow of water to the drain.

3. Remove the side panel (on the same side as the drain tube), slowly pour a pint of water into the drain pan near the return bends of the coils. After the running trap fills, the water should flow out the drain tube to the drain.
4. Plug or raise the drain tube sufficiently high to prevent water from pouring out of the drain tube. Slowly pour in an additional pint of water until the bottom of the drain pan is filled. Allow 15-20 minutes for the water to stand in the drain pan and look for any signs of leaks from the drain pan and drain tube. Unplug the drain and allow the water to drain out.
5. Reinstall the side panel.

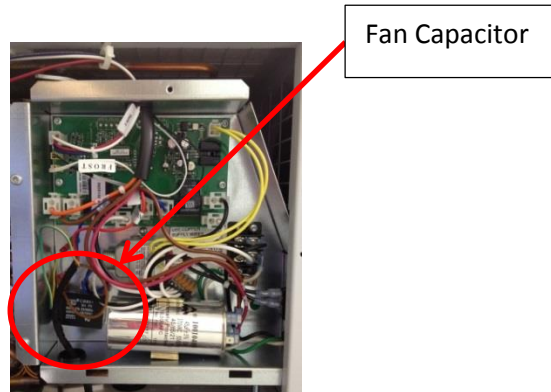
Note: Lab testing showed the potential for condensation to collect under the drain pan when the dehumidifier was running constantly for 2-4 days in 80°F/60% conditions. During this time no water leaked from the dehumidifier. We began insulating the underside of the 70/95pt drain pan the 47th week of 2014. If a customer has a unit built before 472014AXXXX and you can verify that it is a high load/constant run condition, a secondary drain pan is recommended. The constant run condition should only occur when the unit is first installed. Once the space/home has been dried out the dehumidifier will cycle, eliminating the drain pan condensation. All 130pt have insulated drain pans.

Fan Does Not Function

1. Make sure the outlet the dehumidifier is plugged into is live (120 VAC available).
2. Turn the control OFF and the ON/OFF toggle switch OFF.
3. Remove the side panel and disconnect the blue and yellow fan wires from the Internal Control board.
4. Inspect the large disk-like component (this is a varistor and it is usually blue or black in color) on the Internal Control board right next to the fan terminals. If this component looks scorched or cracked, replace the Internal Control board (5444).



5. Turn the ON/OFF toggle switch to ON and the control to ON; the fan should start right away with the display showing "AIR SAMPLING". Measure the AC voltage at the fan terminals on the Internal Control board. Use caution as this is line voltage.
 - **If the FAN LED on the Internal Control board is lit and there is 120 VAC** at the fan terminals, disconnect the fan run capacitor and measure the capacitance – this should be 8 μ F (microfarad) \pm 5% for 1830 with Serial Numbers before 112015A09596, 6 μ F (microfarad) \pm 5% for 1830 with Serial Number 112015A09596 or later, 12 μ F \pm 5% for the 1850, 10 μ F \pm 5% for the 1870, 8 μ F \pm 5% for the 1870F. If the capacitor is bad, replace it (5459 70pt before 112015A09596 / 5582 70pt 112015A09596 or later / 5468 95pt / 5573 1870 / 5459 1870F), if the capacitor is good then replace the fan (5453 70pt / 5467 95pt / 5572 1870 / 5588 1870F).



- **If the FAN LED on the Internal Control board is lit and there is 0 VAC**, the Internal Control board will need to be replaced (5444).
- **If the FAN LED on the Internal Control board is not lit and the display shows "AIR SAMPLING"**, the User Interface Assembly will need to be replaced (5445).

Circuit Breaker Trips

All 1800 series must be plugged into an outlet served by a 15 amp circuit breaker. The 1850 & 1870 dehumidifiers use approximately 8 amps at high load (i.e. hot and humid) conditions and less at low load conditions. The 1830 dehumidifier uses approximately 6 amps at high load and less at low load.

If there are other electrical components that draw a lot of current connected to the same circuit breaker, the circuit may be overloaded and a new circuit should be run to serve the dehumidifier. Consult with a qualified electrical contractor if there are questions as to the suitability of the circuit into which the dehumidifier is plugged.

If the electrical service is sound, there are two primary reasons why a circuit breaker would trip: a wire has disconnected or the compressor run capacitor is faulty.

1. Turn the ON/OFF toggle switch OFF, unplug the dehumidifier, and remove the side panel from the dehumidifier.
2. Inspect the electrical connections at the power switch, Internal Control board and run capacitors.

3. If none of the wires have been disconnected, remove the wires connected to the run capacitor.
4. Measure the capacitance of the compressor run capacitor, it should be 45 μF (microfarad) $\pm 5\%$ for the 70/95pt dehumidifiers and 50 μF (microfarad) $\pm 5\%$ for the 135pt dehumidifier.



Defrost

The defrost feature is in place to protect the dehumidifier from running when the coil is under conditions where frost and eventually ice could occur on the evaporator. If this were to happen the dehumidifier would run to hit a set point but no longer have the capacity to remove moisture from the incoming air, thus running with little potential dehumidification. Defrosting can occur if there is not enough air going through the dehumidifier or if the temperature and/or %RH of the incoming air is too low. Verifying the dehumidifier filter is clean or lightly loaded and external static pressure (or airflow of dehumidifier) is in the acceptable range, will determine if lack of airflow is causing the Defrosting condition. If Defrosting is occurring because the incoming air conditions are too low, the %RH setting is too low for the conditions.

A change to the Defrost operation was made with V1.3 on the internal control board. Beginning with serial number XXXXX, the dehumidifier will enter Defrost Mode when the suction line has been at 32°F for 2 hours. This change was implemented to improve capacity at low load conditions (60°F / 60%RH). If a customer has a unit made prior to XXXX that is constantly cycling on Defrost, replace the Internal Control Board (5444).

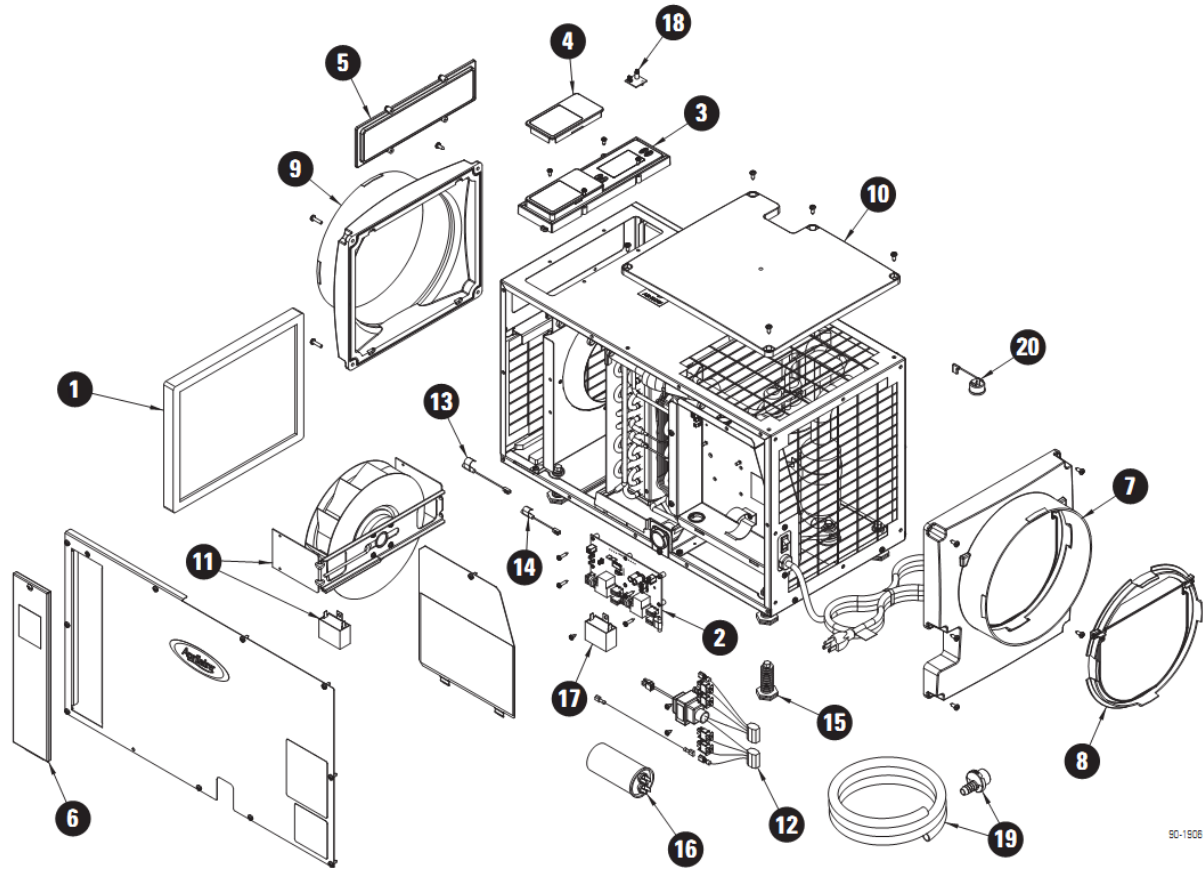
E8

The 50° - 104° temperature range is in place to protect the compressor and the 40° dew point is to protect against inefficient dehumidifier operation. The graph below illustrates how the cost per pint of an 1830 significantly increases at a 40°F dew point. The addition of heat or dry outside air to these spaces during times when the incoming air is approximately at a 40° dew point can help reduce the indoor humidity.

Noise

If noise is not caused by other components such as fan or compressor, check the to verify the screw holding in the filter drier clip is not contacting the surface is mounted on, especially if in a drain pan. Units built prior to 082015AXXXXXX have a screw that will contact the mounting surface if the feet of the dehumidifier are up fully. If this is the case, lower the feet to allow clearance.

1830/1850 Parts List

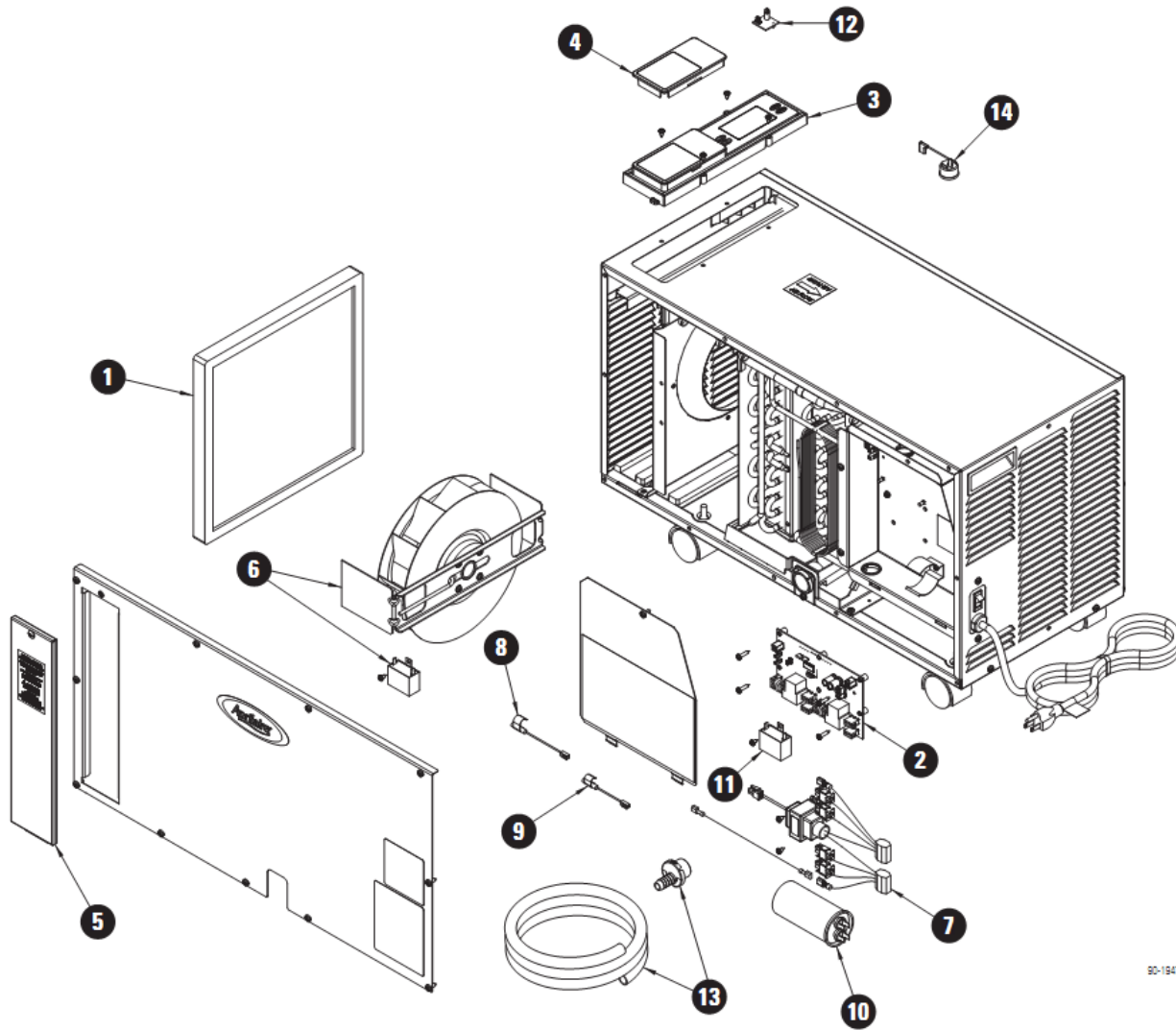


90-1906

No.	Part Description	Part No.
1	Filter 10" x 12" x 1" EZK	5443
2	Internal Control Board	5444
3	User Interface Assembly	5445
4	Wiring Access Door	5446
5	Hole Cover, UI Ctrl	5447
6	Door, Filter Access	5448
7	Outlet Duct Panel	5449
8	Backflow Damper, 10"	5450
9	Inlet Duct Panel	5451
10	Cover, Outlet	5452
11	Fan, 70pt with 6MFD Capacitor	5453
	Fan, 95pt with 12MFD Capacitor	5467

No.	Part Description	Part No.
12	Wire Harness, Power	5454
13	Sensor, Low Temperature	5455
14	Sensor, High Temperature	5456
15	Leveling Foot	5457
16	Capacitor, 45MFD, 370VAC, 70pt/95pt	5458
17	Capacitor, 8MFD, 450VAC, 70pt with Serial Number before 112015A09596	5459
	Capacitor, 6MFD, 450VAC, 70pt with Serial Number 112015A09596 or later	5582
	Capacitor, 12MFD, 450VAC, 95pt	5468
18	RH Sensor, Deh	5460
19	Drain Tube + Fitting	5585
20	Compressor Overload Switch, 70pt	5547
	Compressor Overload Switch, 95pt	5548

1850F Parts List

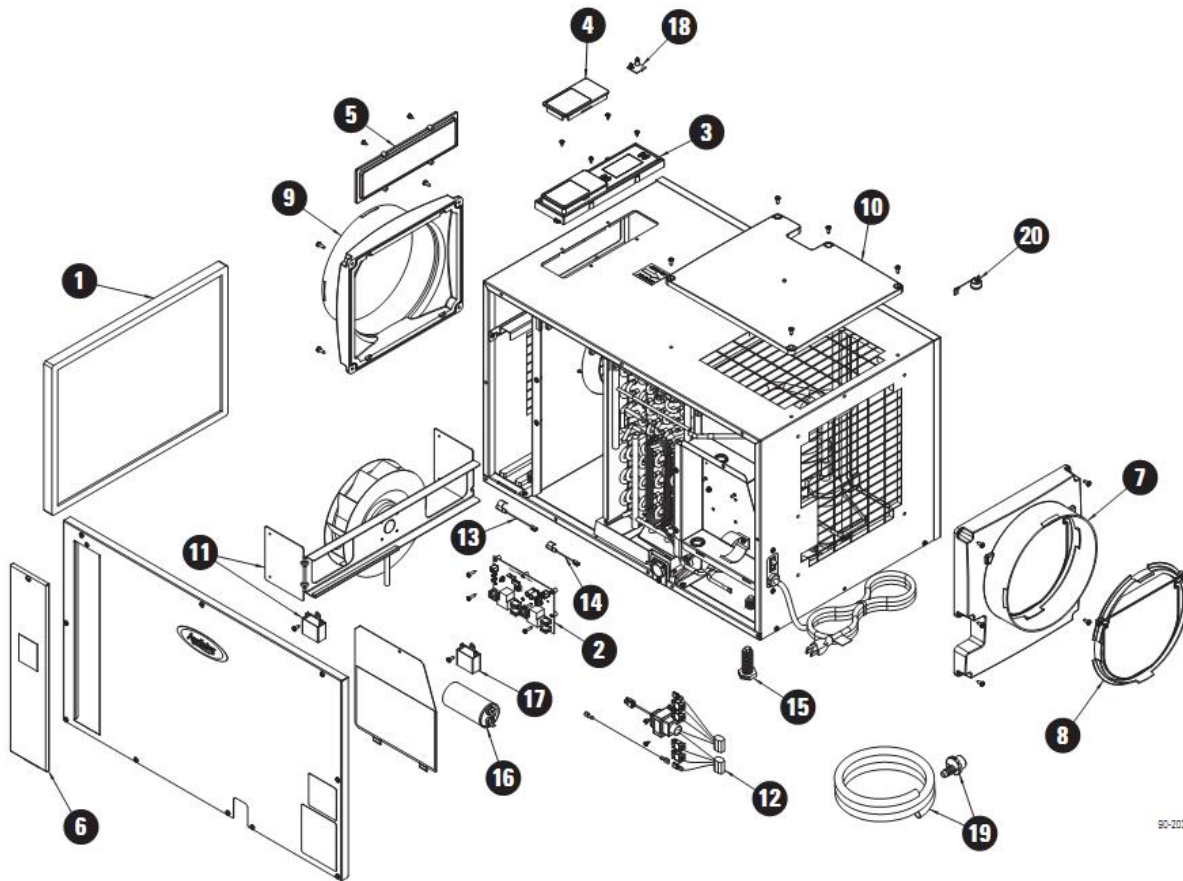


80-1947

No.	Part Description	Part No.
1	Filter 12" x 12" x 1" EZK	5499
2	Internal Control Board	5444
3	User Interface Assembly	5445
4	Wiring Access Door	5446
5	Door, Filter Access	5506
6	Fan, 95pt with 12MFD Capacitor	5467
7	Wire Harness, Power, Deh	5454

No.	Part Description	Part No.
8	Sensor, Low Temperature	5455
9	Sensor, High Temperature	5456
10	Capacitor, 45MFD, 370VAC, 70pt/95pt	5458
11	Capacitor, 12MFD, 450VAC, 95pt	5468
12	RH Sensor	5460
13	Drain Tube + Fitting	5585
14	Compressor Overload Switch	5548

1870 Parts List

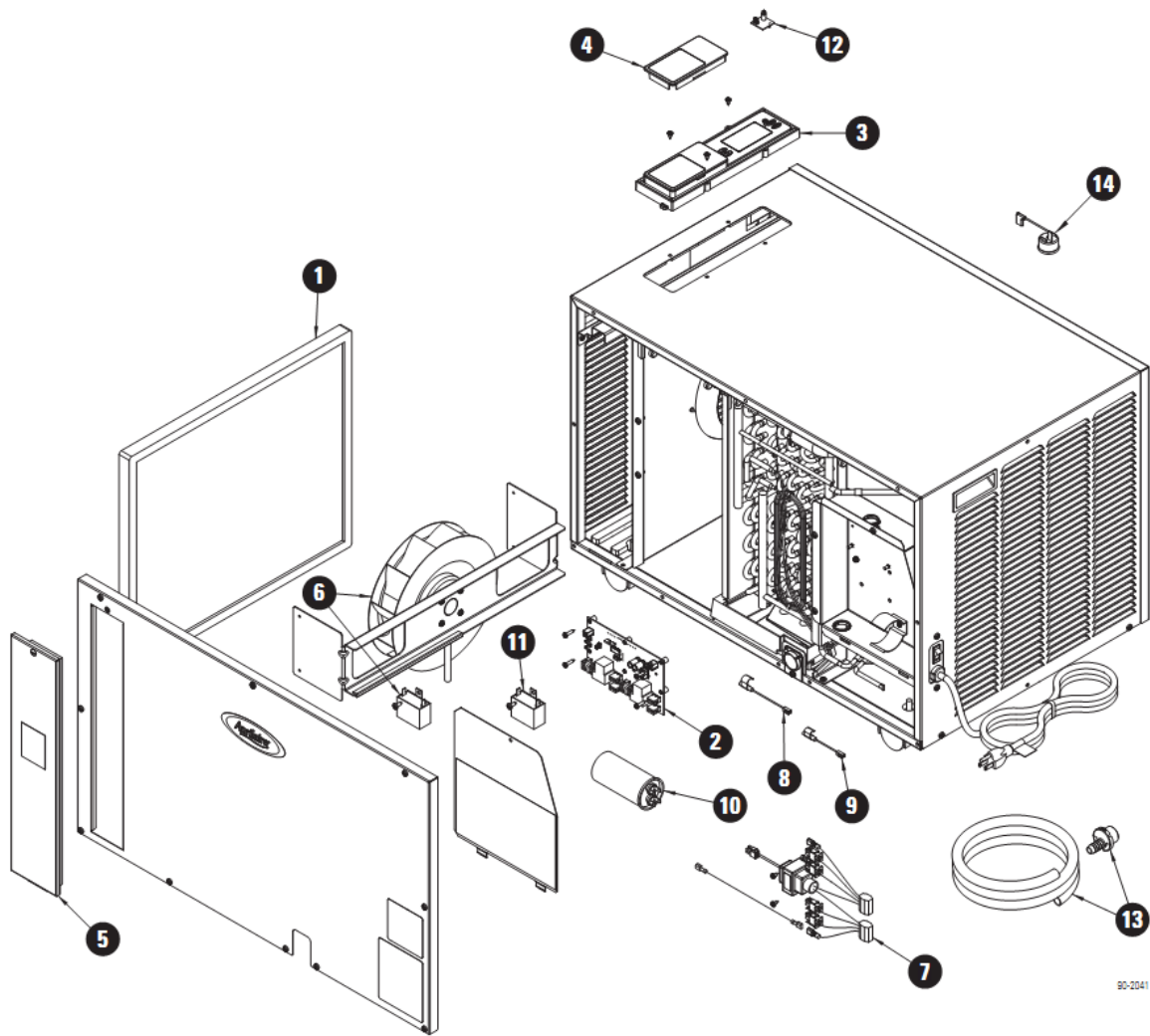


90-2031

No.	Part Description	Part No.
1	Filter 14" x 19" x 1" EZK	5569
2	Internal Control Board	5444
3	User Interface Assembly	5445
4	Wiring Access Door	5446
5	Hole Cover, UI Ctrl	5447
6	Door, Filter Access	5571
7	Outlet Duct Panel	5449
8	Backflow Damper, 10"	5450
9	Inlet Duct Panel	5451
10	Cover, Outlet	5452
11	Fan, 130pt with 10MFD Capacitor	5572

No.	Part Description	Part No.
12	Wire Harness, Power	5454
13	Sensor, Low Temperature	5455
14	Sensor, High Temperature	5456
15	Leveling Foot	5457
16	Capacitor, 50MFD, 370VAC	5594
17	Capacitor, 10MFD, 250VAC	5573
18	RH Sensor, Deh	5460
19	Drain Tube + Fitting	5585
20	Compressor Overload Switch	5574

1870F Parts List

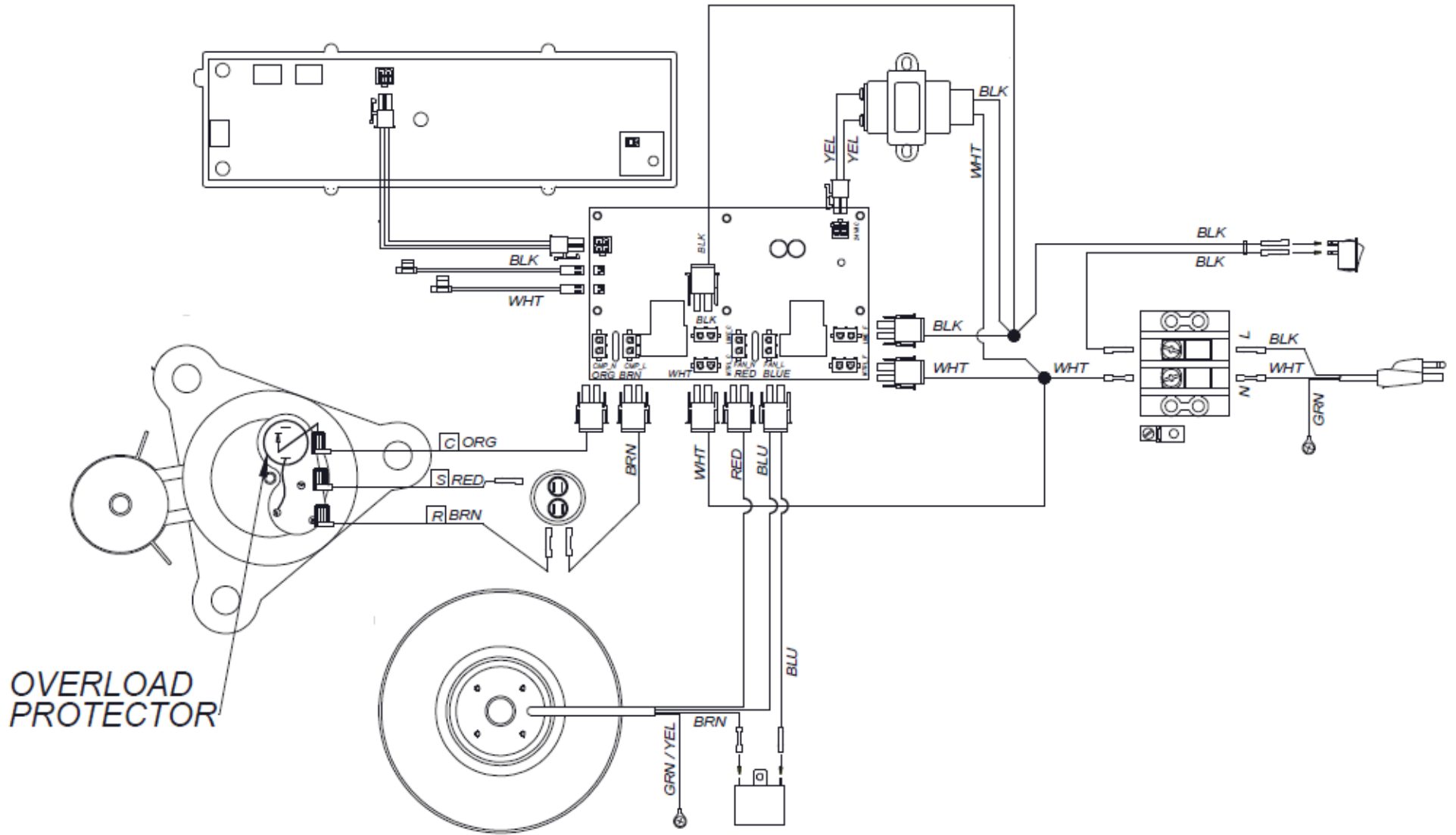


90-2041

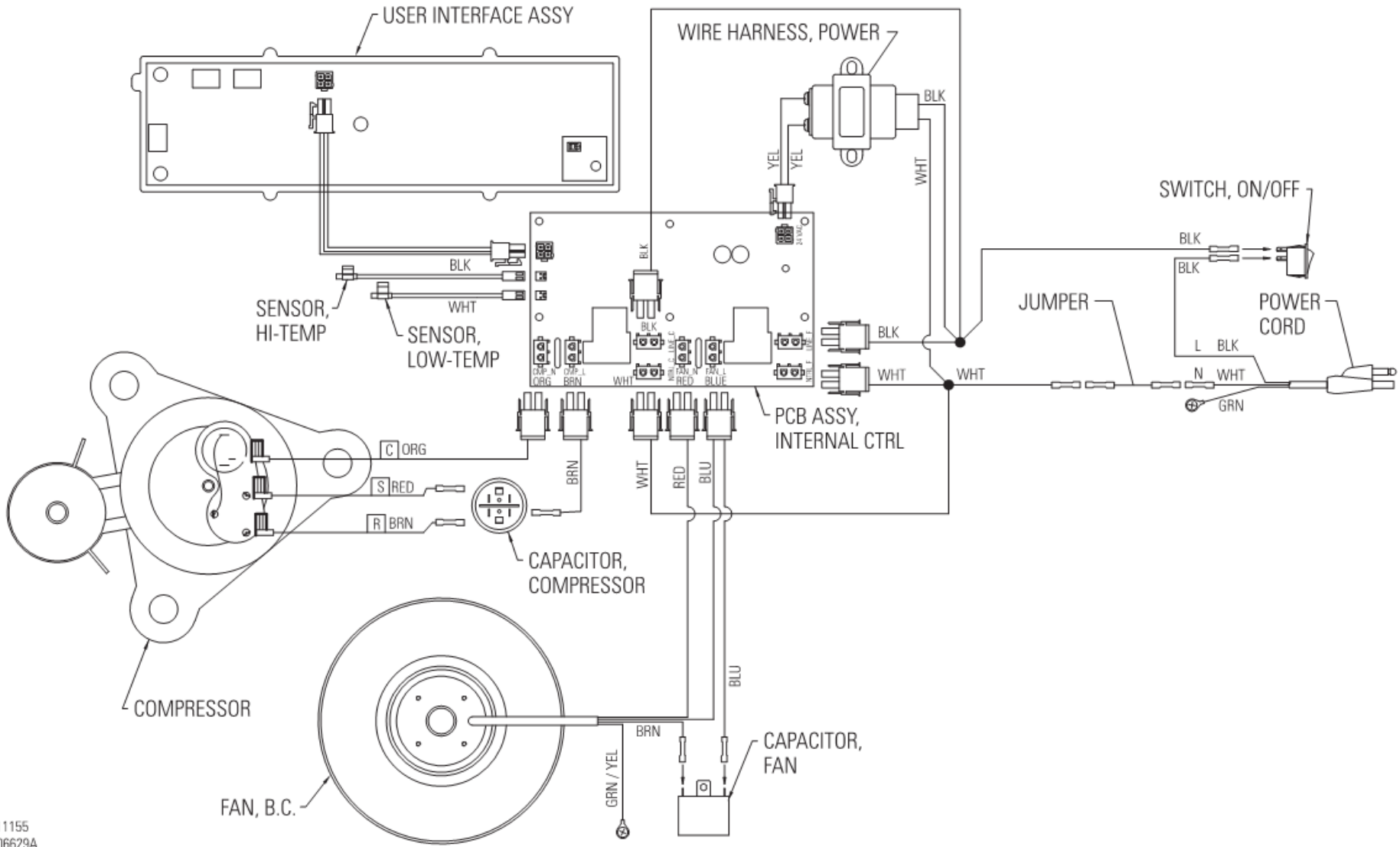
No.	Part Description	Part No.
1	Filter 16" x 19" x 1" EZK	5570
2	Internal Control Board	5444
3	User Interface Assembly	5445
4	Wiring Access Door	5446
5	Door, Filter Access	5571
6	Fan, 130opt with 8MFD Capacitor	5588
7	Wire Harness, Power	5454

No.	Part Description	Part No.
8	Sensor, Low Temperature	5455
9	Sensor, High Temperature	5456
10	Capacitor, 50MFD, 370VAC	5594
11	Capacitor, 8MFD, 450VAC	5459
12	RH Sensor	5460
13	Drain Tube + Fitting	5585
14	Compressor Overload Switch	5574

1830, 1850W & 1870W Wiring Diagrams



1850, 1850F, 1870, 1870F Wiring Diagrams



10011155
B2206629A