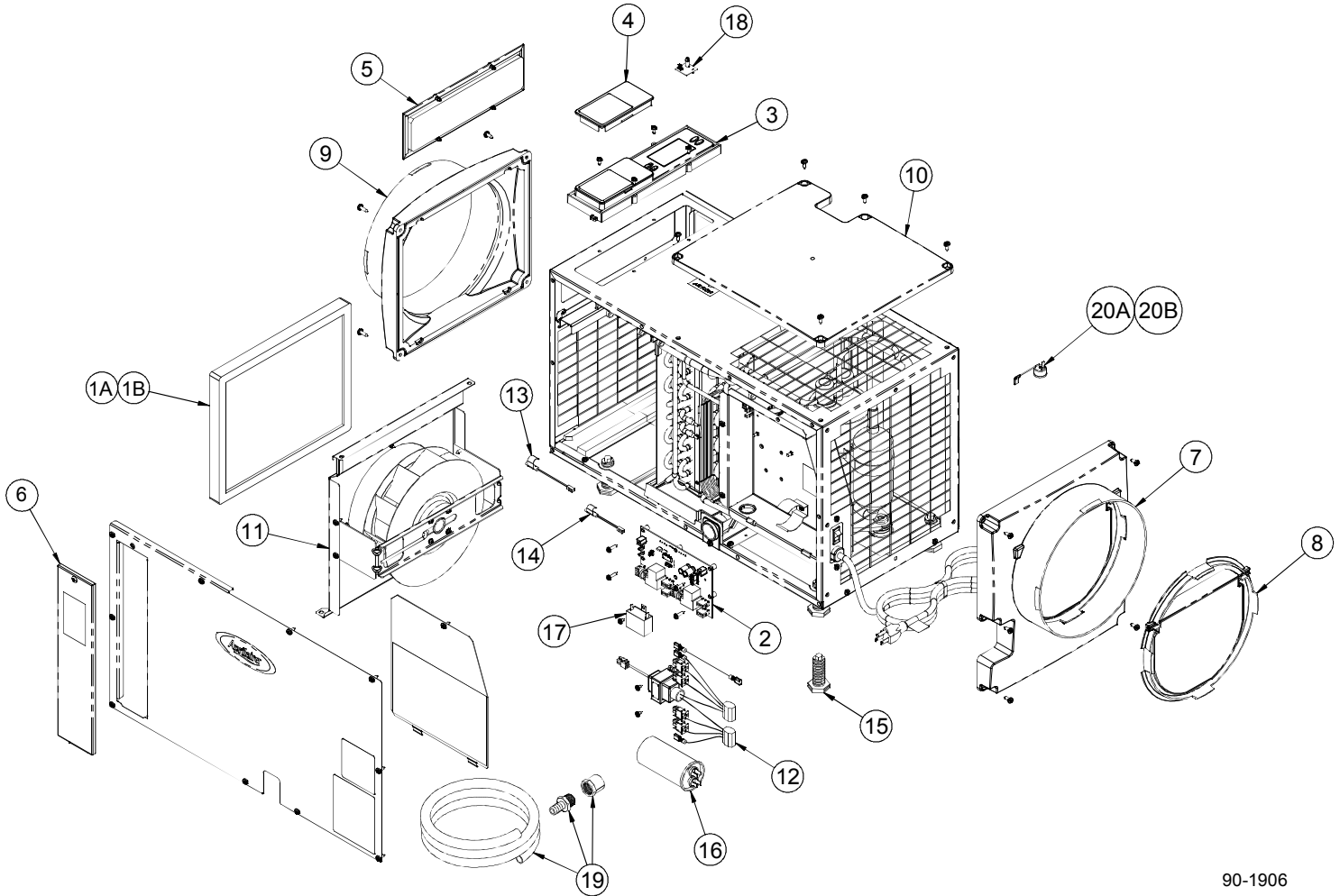


DEALER PARTS LIST DEHUMIDIFIERS

Model 1830/1850/1850F/1850W



90-1906

NO.	PART DESCRIPTION	QTY/CTN	PART NO.
1A	Filter, 10" x 12" x 1" EZK*	1	5443
1B	Filter, 12" x 12" x 1" EZK	1	5499
2	Internal Control Board	1	5444
3	User Interface Assembly	1	5445
4	Wiring Access Door	1	5446
5	UI Control Hole Cover *	1	5447
6	Filter Access Door 1830/1850	1	5448
7	Outlet Duct Panel *	1	5449
8	10" Backflow Damper *	1	5450
9	Inlet Duct Panel *	1	5451
10	Outlet Cover *	1	5452
11	70 Pint Dehumidifier Fan	1	5453
12	95 Pint Dehumidifier Fan	1	5467
12	Transformer and Wire Harness	1	5454

NO.	PART DESCRIPTION	QTY/CTN	PART NO.
13	Low Temperature Sensor	1	5455
14	High Temperature Sensor	1	5456
15	Leveling Foot*	1	5457
16	Compressor Run Capacitor, 70pt/95pt, 45MFD, 370VAC	1	5458
17	Fan Run Capacitor, 70pt, 8MFD, 450VAC	1	5459
17	Fan Run Capacitor, 95pt, 12MFD, 450VAC	1	5468
18	RH & Temp Sensor	1	5460
19	Drain Tube + Fittings**	1	5461
20A	Compressor Overload Switch, 70pt	1	5547
20B	Compressor Overload Switch, 95pt	1	5548
OTHER PARTS (Not Shown)			
	Low Profile Condensate Pump	1	4856
	Basement Kit (2-10" N/O Dampers, 2-10" N/C Dampers & 1 Transformer)	1	5442
	Digital Dehumidifier Control (for all current dehumidifiers)	1	76
	Living Space Duct Kit (25' of insulated flex duct with 2 quick install grilles and 2 reducers)	1	5546

New!
New!

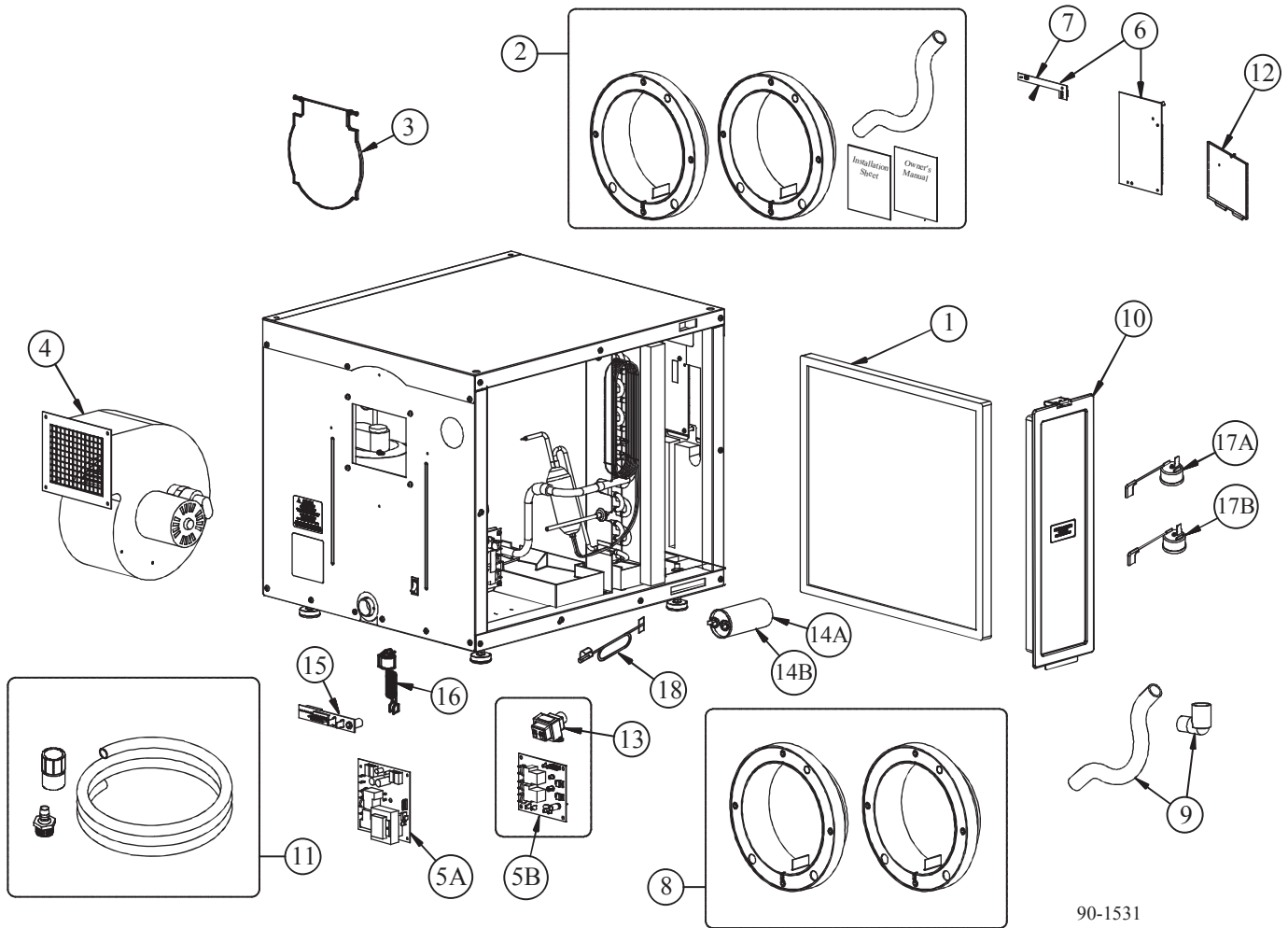
New!

* Not Compatible with 1850F
**Drain tube only included with 1850F



DEALER PARTS LIST DEHUMIDIFIERS

Model 1710A/1750A/1770A



90-1531

NO.	PART DESCRIPTION	QTY/CTN	Model 1710A/1750A/1770A	Model 1700/1710/1720/1750/1770
			PART NO.	PART NO.
1	Filter	1	4510	4510
2	Drain Trap/Collars/Manual	1	4843	4843
3	Backflow Damper *	1	4918	4918
4	Blower/Motor Assembly, 1710A/1750A and 1700/1710/1750	1	4515	4515
	Blower/Motor Assembly, 1770A and 1720/1770	1	4646	4646
5A	Power Supply Board	See Terminal Block Drawing 90-1976 Below		4517
5B	Power Supply Board (new style without integrated transformer)			N/A
6	Control Board Kit ***	1	5353	5353
7	Sensor Board	1	4752	4752
8	Duct Collars	2	4751	4751
9	Drain Trap and PVC Elbow	1	4842	4842
10	Filter Door **	1	4861	N/A
11	Condensate Drain Hose Assembly (included with Model 1710A only)	1	4863	N/A
12	LED Control Door	1	4864	4864
13	10 VA Transformer	1	5262	5262
14A	Capacitor, 60µF (Model 1770A only)	1	5255	N/A
14B	Capacitor, 55µF	1	4922	N/A
15	Daughter Board	1	5264	N/A
16	High Temperature Cutout Switch	1	4924	N/A
17A	Compressor Overload Switch, 1710A/1750A	1	5324	N/A
17B	Compressor Overload Switch, 1770A	1	5325	N/A
18	Frost Sensor	1	5422	N/A
OTHER PARTS				
	External Control ****	1	76	70
	Convertible Installation Kit (2-N/O 8" Damper, 2-N/C 8" Damper and Transformer)	1	4522	4522
	Distributor and nozzle, 1710A/1750A	1	4903	N/A
	Low Profile Condensate Pump (condensate pump with 20' condensate hose)	1	4856	4856
	Living Space Duct Kit (25' Of 8" Insulated Flex Duct With 2 Quick Install Grilles)	1	4857	4857
	Living Space Duct Kit (25' of insulated flex duct with 2 quick install grilles and 2 reducers)	1	5546	5546

* The backflow damper (Part No. 4918) is compatible with all Models 1730A, 1770A, but only with Model 1750A with Serial Numbers greater than 2610AA147015.

** Part 4861 is the blue/gray door; the almond colored doors are no longer available.

*** If control board being replaced is currently used with a Model 70 Control, the control must be replaced with a Model 76 Control.

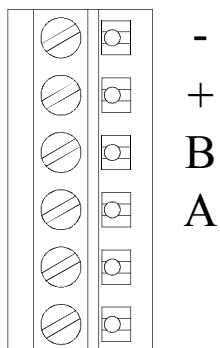
**** Only use a Model 70 Control to replace an existing Model 70 control with units produced before Serial Number 4610AAXXXXXX.

Table 1: Power Supply Board Part Number		Models 1710A, 1750A & 1770A		
NO.	PART DESCRIPTION	Compatible With	QTY/CTN	PART NO.
5A	Power Supply Board	Control Board without DH Terminal	1	4517
5B	Power Supply Board (new style without integrated transformer)	Control Board with DH Terminal ¹	1	5260

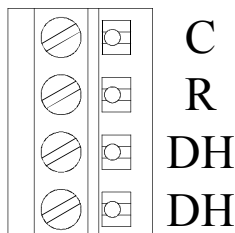
¹ DH Terminal implemented on all units with Serial Number 4610AAXXXXXX or later.

Identifying Type of Control by Terminal Block

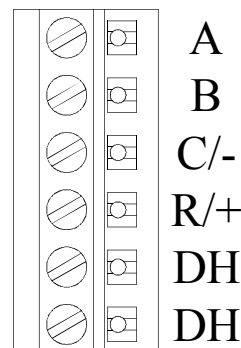
MODEL 70



MODEL 75



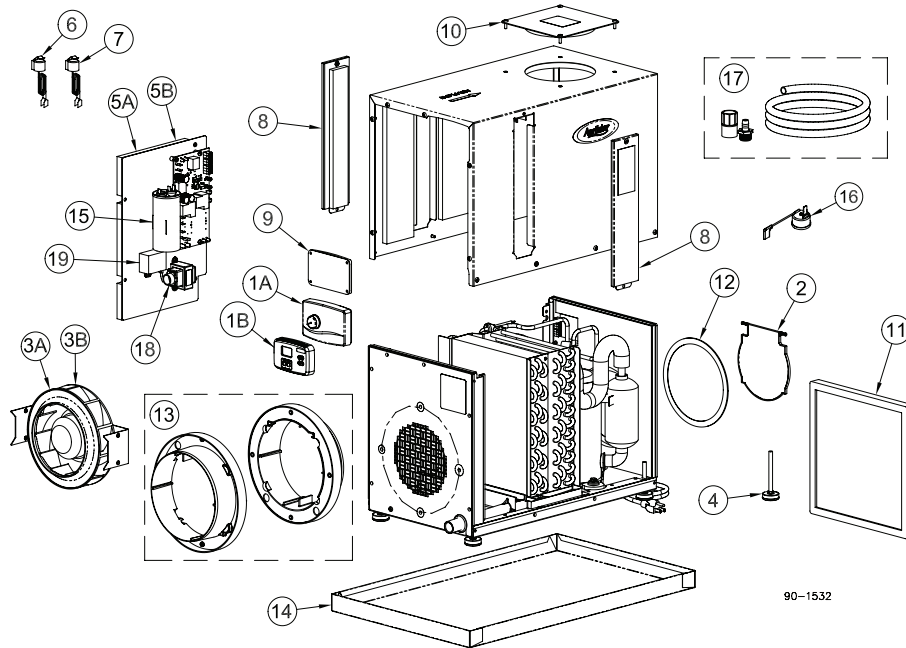
MODEL 76





DEALER PARTS LIST DEHUMIDIFIERS

Model 1730A with R410A



90-1532

NO.	PART DESCRIPTION	QTY/CTN	PART NO.
1A	Dehumidistat Control Assembly	1	4917
1B	Digital Dehumidifier Control	1	76
2	Backflow Damper	1	4918
3A	Impeller with Bracket (Blower Assembly)(Model 1730A Serial No. before 132012A59912)	1	4919
3B	Impeller with Bracket (Blower Assembly)(Model 1730A Serial No. 132012A59912 or later)	1	5332
4	Leveling Foot	1	4920
5A	Control PCB Assembly(Model 1730A Serial No. before 132012A59912)	1	4923
5B	Control PCB Assembly(Model 1730A Serial No. 132012A59912 or later)	1	5329
6	High Temperature Cutout Switch	1	4924
7	Low Temperature Cutout Switch	1	4925
8	Filter Access Door Assembly	1	4926
9	Dehumidistat Hole Cover	1	4927
10	Outlet Cover Plate	1	4928
11	Air Filter	1	4904
12	Inlet/Outlet Screen	1	4930
13	Duct Collars	2	4751
14	Auxiliary drain pan	1	4911
15	Capacitor, 55µF	1	4922
16	Compressor Overload Switch	1	5324
17	Condensate Drain Hose Assembly	1	4863
18	10VA Transformer with Wire Harness	1	5398
19	Capacitor, 10MF for Impeller	1	5399
OTHER PARTS - NOT INCLUDED			
	Low Profile Condensate Pump (Condensate pump with 20' condensate hose)	1	4856
	Living Space Duct Kit (25' of 8" insulated flex duct with 2 quick install grilles)	1	4857
	Living Space Duct Kit (25' of insulated flex duct with 2 quick install grilles and 2 reducers)	1	5546

New!

We reserve the right to make modifications as deemed necessary in line with our policy to continue supplying the finest equipment available. All Prices F.O.B. Poynette, WI, and subject to change without notice. Orders may be sent via: EDI, Fax, Email (purchaseorders@aprilair.com), Mail or Phone. If EDI, call us for initial setup.



P.O. Box 1467 • Madison, WI 53701-1467 • Phone: 800/334-6011 • Fax: 608/257-4357 • www.aprilairpartners.com