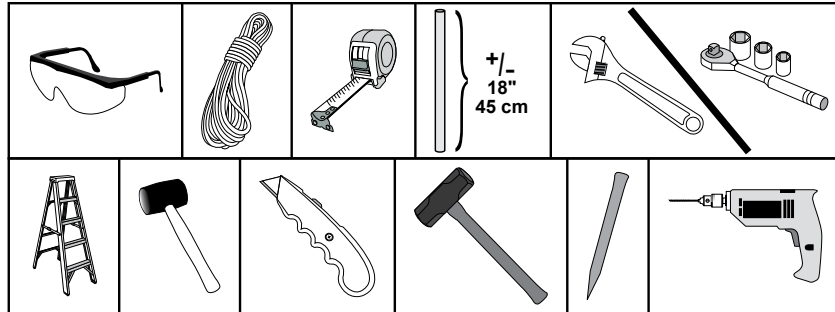
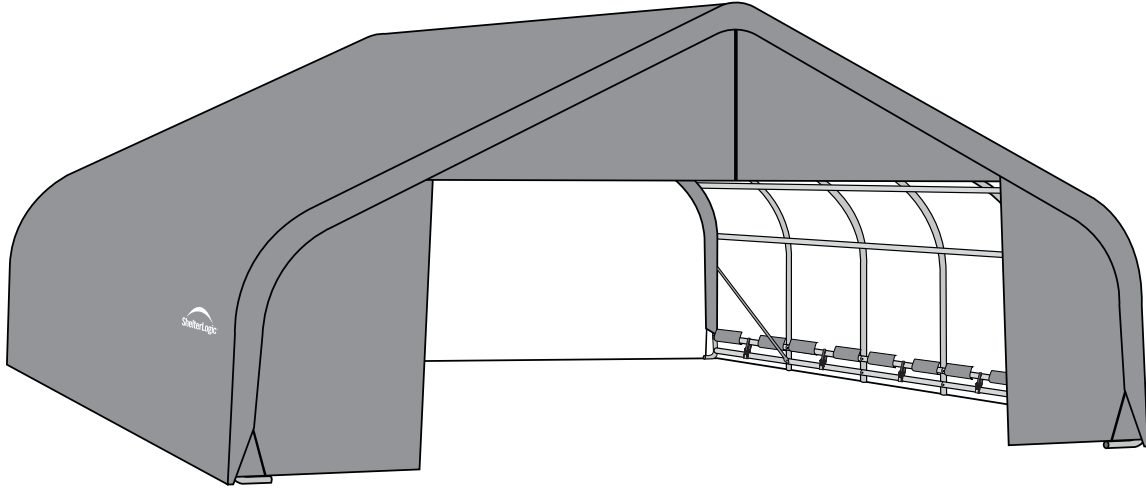


# 30'W x 16'H Peak Shelter

## Assembly Manual



Please read instructions **COMPLETELY** before assembly. This shelter **MUST** be securely anchored. THIS IS A TEMPORARY STRUCTURE AND NOT RECOMMENDED AS A PERMANENT STRUCTURE.

**Before you start:** 5 or more individuals recommended for assembly.  
Assembly time is dependent upon the length of your building.  
Allow approximately 15 minutes for every foot in building length.

  
150 Callender Road  
Watertown, CT 06795  
www.shelterlogic.com

**1-800-524-9970**

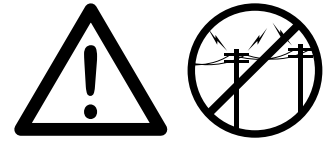
Canada:  
**1-800-559-6175**

## ATTENTION:

This shelter product is manufactured with quality materials. It is designed to fit the **ShelterLogic® Corp.** custom fabric cover included. **ShelterLogic® Corp.** Shelters offer storage and protection from damage caused by sun, light rain, tree sap, animal - bird excrement and light snow. Please anchor this **ShelterLogic® Corp.** structure properly. See manual for more anchoring details. Proper anchoring, keeping cover tight and free of snow and debris is the responsibility of the consumer. Please read and understand the installation detail, warnings and cautions prior to beginning installation. If you have any questions call the customer service number listed below. Please refer to the warranty card inside this package.

## DANGER:

Prior to installation, consult with all local municipal codes regarding installation of temporary shelters. Choose the location of your shelter carefully. **DANGER: Keep away from electrical wires.** Check for overhead utility lines, tree branches or other structures. Check for underground pipes or wires before you dig. DO NOT install near roof lines or other structures that could shed snow, ice or excessive run off onto your shelter. DO NOT hang objects from the roof or support cables.



## WARNING:

Risk of fire. DO NOT smoke or use open flame devices (including grills, fire pits, deep fryers, smokers or lanterns) in or around the shelter. DO NOT store flammable liquids (gasoline, kerosene, propane, etc.) in or around your shelter. Do not expose top or sides of the shelter to open fire or other flame source.



## CAUTION:

Use **CAUTION** when erecting the frame. Use safety goggles during installation. Secure and bolt together overhead poles during assembly. Beware of pole ends.

## PROPER ANCHORING AND INSTALLATION OF FRAME:

### PROPER ANCHORING OF THE FRAME IS THE RESPONSIBILITY OF THE CONSUMER.

**ShelterLogic® Corp.** is not responsible for damage to the unit or the contents from acts of nature. Any shelter that is not anchored securely has the potential to fly away causing damage, and is not covered under the warranty. Periodically check the anchors to ensure stability of shelter. **ShelterLogic® Corp.** cannot be responsible for any shelter that blows away. **NOTE:** *Your shelter's cover can be quickly removed and stored prior to severe weather conditions.* If strong winds or severe weather is forecast in your area, we recommend removal of cover.

## REPLACEMENT PARTS, ASSEMBLY, SPECIAL ORDERS:

Genuine **ShelterLogic® Corp.** replacement parts and accessories are available from the factory, including anchoring kits for nearly any application, replacement covers, wall and enclosure kits, vent and light kits, frame parts, zippered doors and other accessories. All items are shipped factory direct to your door.

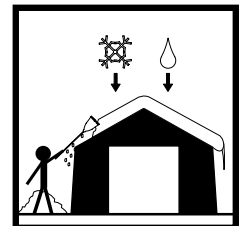
**QUESTIONS - CLAIMS - SPECIAL ORDERS? CALL OUR CUSTOMER SERVICE HOTLINE:**

**U.S. CUSTOMER SERVICE: 1-800-524-9970 INTERNATIONAL CUSTOMER SERVICE: 001-860-945-6442 CANADA CUSTOMER SERVICE: 1-800-559-6175**

**HOURS OF OPERATION: MON-FRI 8:30AM-8:00PM EST, SAT-SUN 8:30AM-5:00PM EST.**

## CARE AND CLEANING:

A tight cover ensures longer life and performance. Always maintain a tight cover. Loose fabric can accelerate deterioration of cover fabric. Immediately remove any accumulated snow or ice from the roof structure with a broom, mop or other soft-sided instrument. Use extreme caution when removing snow from cover- always remove from outside the structure. DO NOT use hard-edged tools or instruments like rakes or shovels to remove snow. This could result in punctures to the cover. DO NOT use bleach or harsh abrasive products to clean the fabric cover. Cover is easily cleaned with mild soap and water.



## WARRANTY:

This shelter carries a full limited warranty against defects in workmanship. **ShelterLogic® Corp.** warrants to the Original Purchaser that if properly used and installed, the product and all associated parts, are free from manufacturer's defects for a period of:

**1 YEAR FOR COVER FABRIC, END PANELS AND FRAMEWORK.**

Warranty period is determined by date of shipment from **ShelterLogic® Corp.** for factory direct purchases or date of purchase from an authorized reseller, (please save a copy of your purchase receipt). If this product or any associated parts are found to be defective or missing at the time of receipt, **ShelterLogic® Corp.** will repair or replace, at it's option, the defective parts at no charge to the original purchaser. Replacement parts or repaired parts shall be covered for the remainder of the Original Limited Warranty Period. All shipping costs will be the responsibility of the customer. Parts and replacements will be sent C.O.D. You must save the original packaging materials for shipment back. If you purchased from a local dealer, all claims must have a copy of original receipt. After purchase, please fill out and return warranty card for product registration. Please see warranty card for more details.

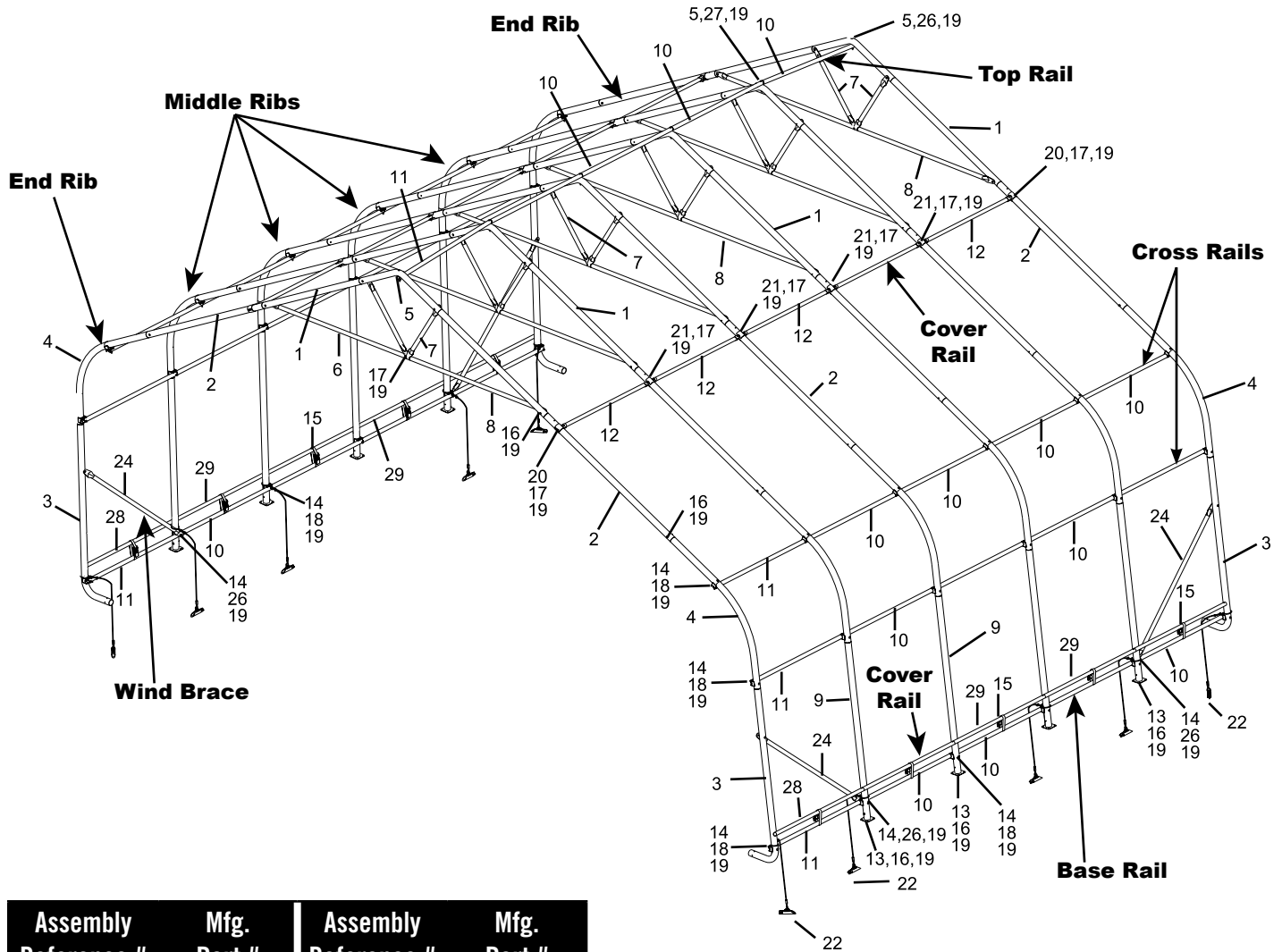
Covered by U.S. Patents and patents pending: 6,871,614; 6,994,099; 7,296,584; D 430,306; D 415,571; D 414,564; D 409,310; D 415,572

090111

# 30'W x 16'H Peak Style Frame Assembly

Please read and understand instructions completely before assembly.

Lay out frame parts as shown.



Assembly Reference #	Mfg. Part #	Assembly Reference #	Mfg. Part #
1	800384	16	11131
2	800385	17	11130
3	800435	18	800454
4	800386	19	00690
5	800383	20	11106
6	800389	21	11107
7	800391	22	00828
8	800390	23	00825
9	800436	24	800440
10	11102	25	WB602RS1
11	11104	26	11134
12	11105	27	11133
13	800859	28	802051
14	800372	29	802050
15	WB601RS24		

**ATTENTION:**  
**FOR MISSING OR**  
**REPLACEMENT PARTS**  
**OR QUESTIONS,**  
**PLEASE CONTACT**  
**CUSTOMER SERVICE:**  
**1.800.524.9970**  
**CANADA 1.800.559.6175**



**NOTE: FRAME EXTENSION KIT**

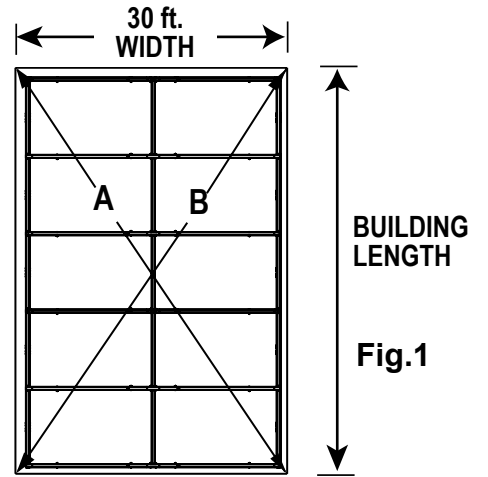
30'x20'x16' is the base frame dimension. Your model may have more middle ribs than shown in the illustration on pg.3. You will receive one extra rib for every extra 4 ft. of building length that you purchase. The basic frame assembly will remain the same. The cover will be the correct size for the length of the building.

**1. PLOTTING THE FRAME:**

Before building your shelter, you should choose a flat area on your property and plot your shelter.

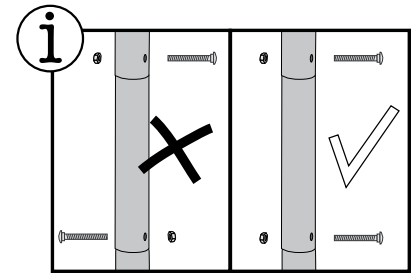
**A.** Stake out the area for the shelter in the desired spot. The width of the area should be at least equal to the width of the shelter and the length should be equal to the length of the shelter **Fig. 1**.

**B.** Measure diagonally from corner to corner (A & B). These measurements should be the same. If they are not equal the stakes need to be adjusted until the width, length and inside measurements are correct.

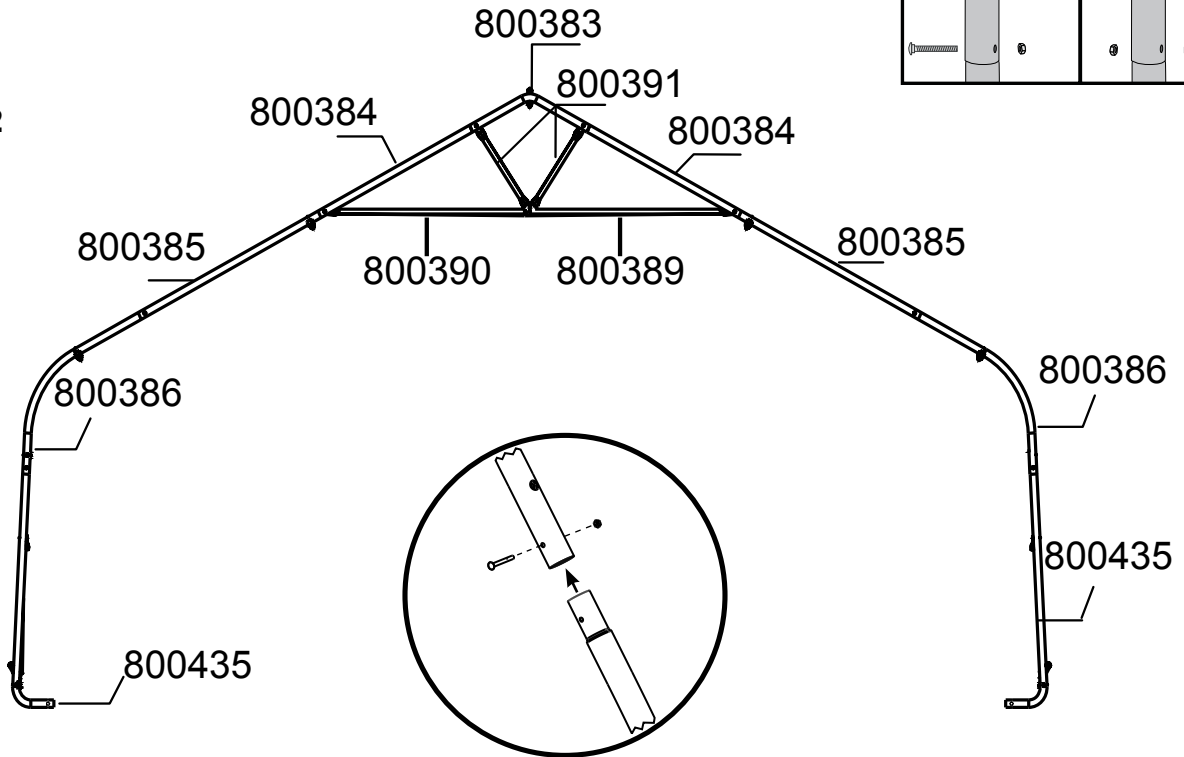


**2. ASSEMBLE END RIBS**

Assemble end ribs as shown in **Fig. 2**. Securely fasten all of the joints with the hardware indicated.



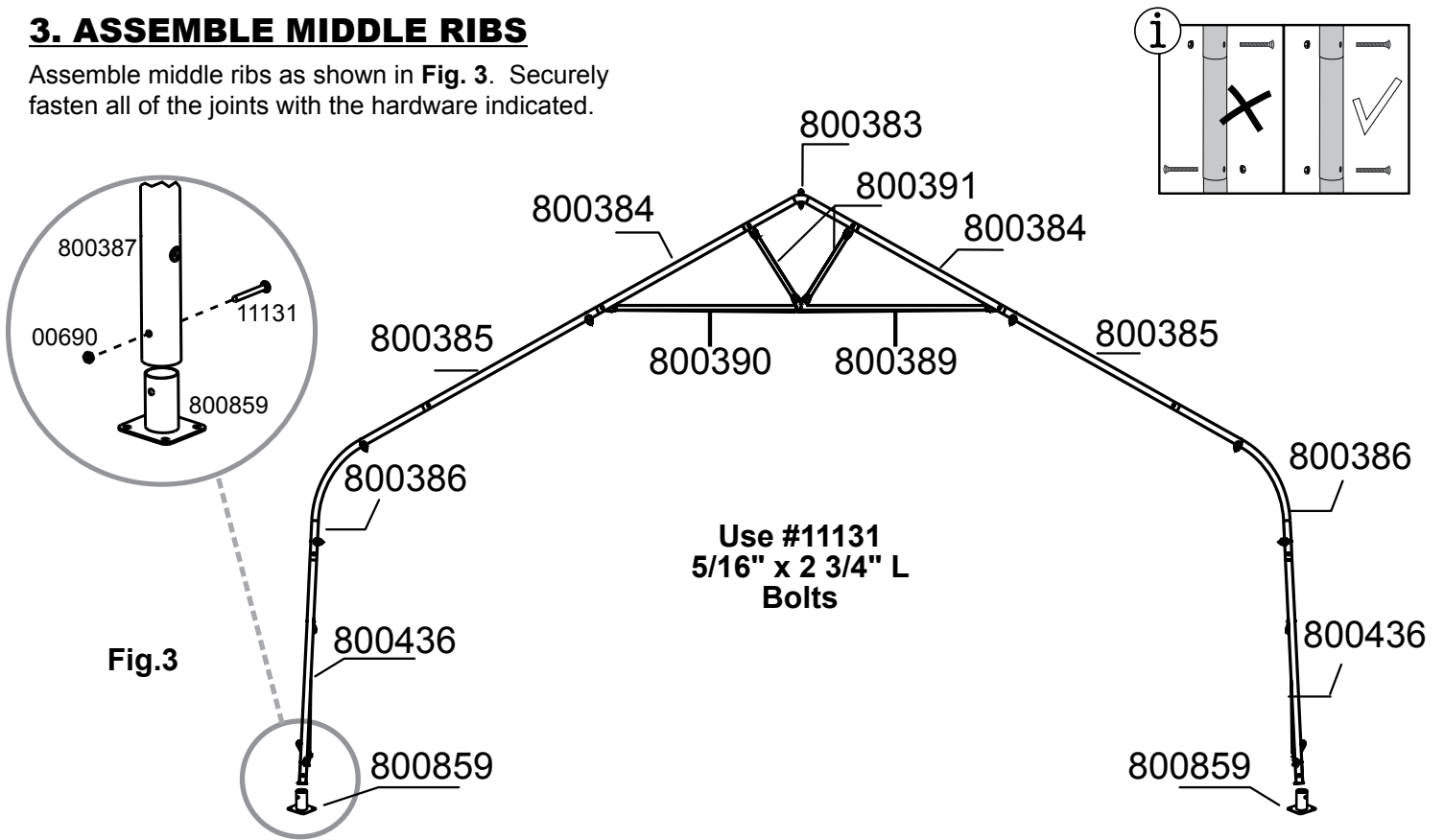
**Fig.2**



**Use #11131  
5/16" x 2 3/4" L  
Bolts**

### 3. ASSEMBLE MIDDLE RIBS

Assemble middle ribs as shown in Fig. 3. Securely fasten all of the joints with the hardware indicated.

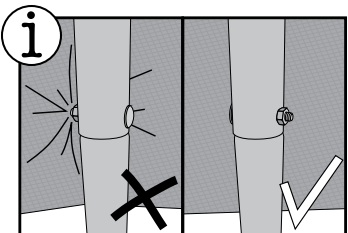
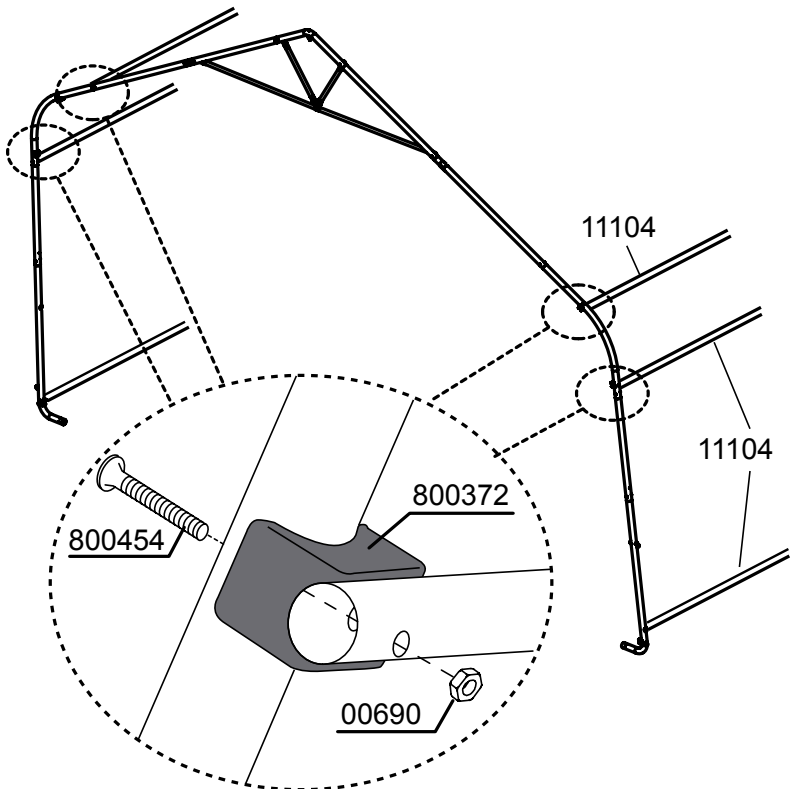


### 4. INSTALL SIDE RAILS AND SHELTERLOCK® STABILIZERS:

**A.** Place assembled first end rib in the staked area. Place the ShelterLocks® (800372) on the uprights as shown in Figure 4. From the outside of the rib insert the bolt through the upright and then through the ShelterLock®.

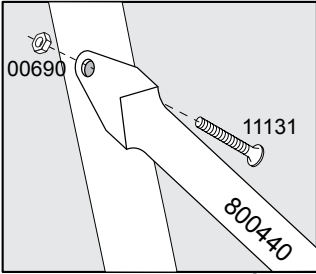
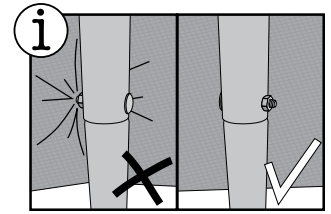
**B.** Place the first Side Rails (11104) over the bolts and nest them into the ShelterLocks®. Install the nut onto the bolt and **HAND TIGHTEN THE BOLT THAT CONNECTS TO THE END RIB.**

**NOTE:** Sliding Cover Rails (11105) should be attached to frame after Step 8, once cover is placed over the frame. See Step 9.

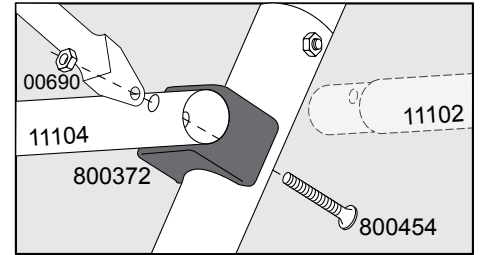
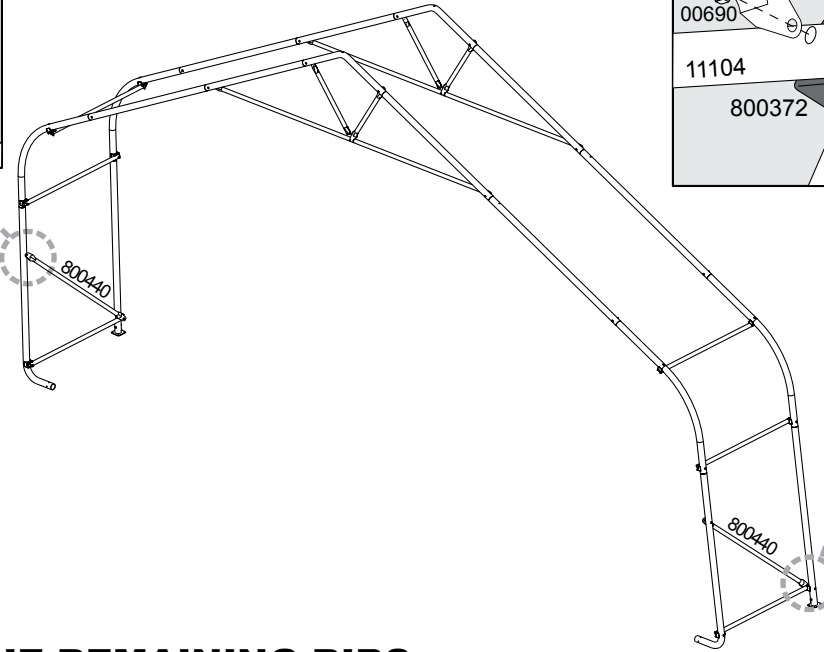


## **5. CONNECT THE FIRST MIDDLE RIB AND INSTALL WIND BRACES:**

Attach Wind Brace (800440) between the end rib and the first middle rib as shown in Figure 5.  
Bolts attached at the cross rails should be inserted facing inside the shelter.



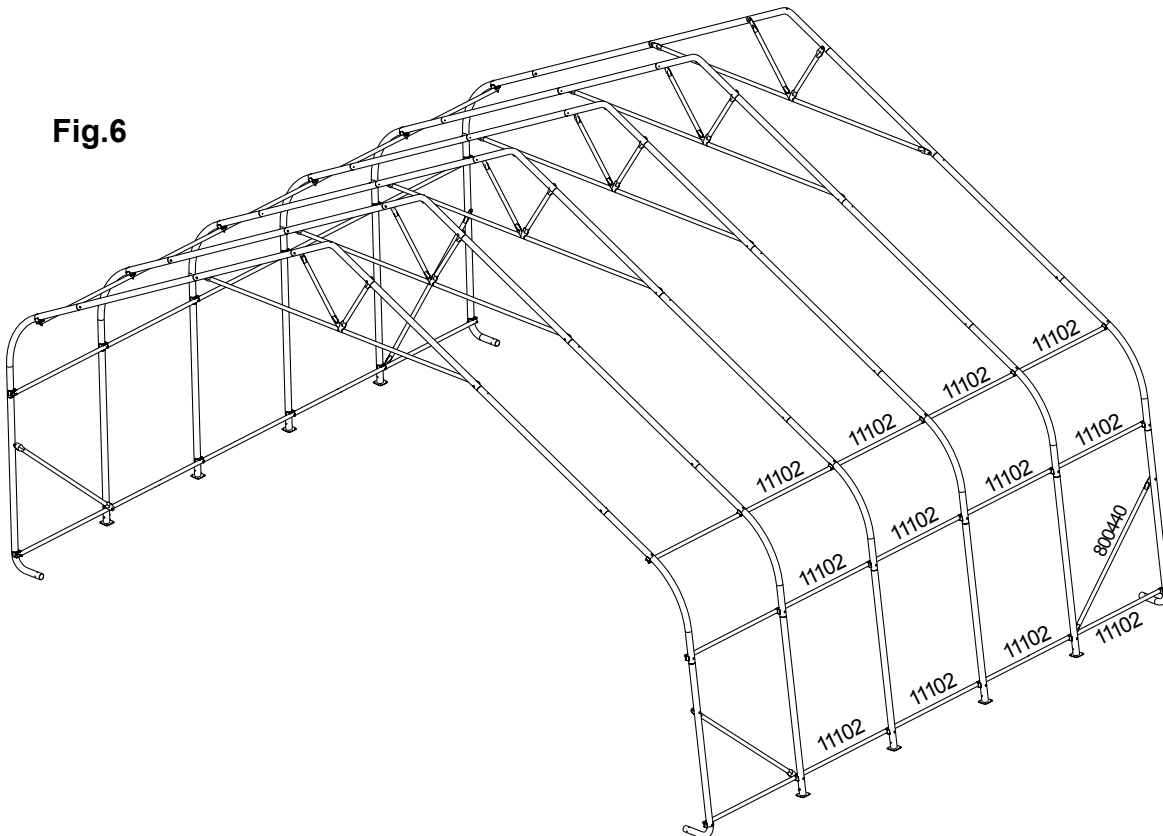
**Fig.5**



## **6. CONNECT THE REMAINING RIBS**

- A. Use Side Rails # 11102 to connect remaining ribs and rear end rib.
- B. Use Wind Braces (800440) between the end rib and the last middle rib as shown in Fig. 6.

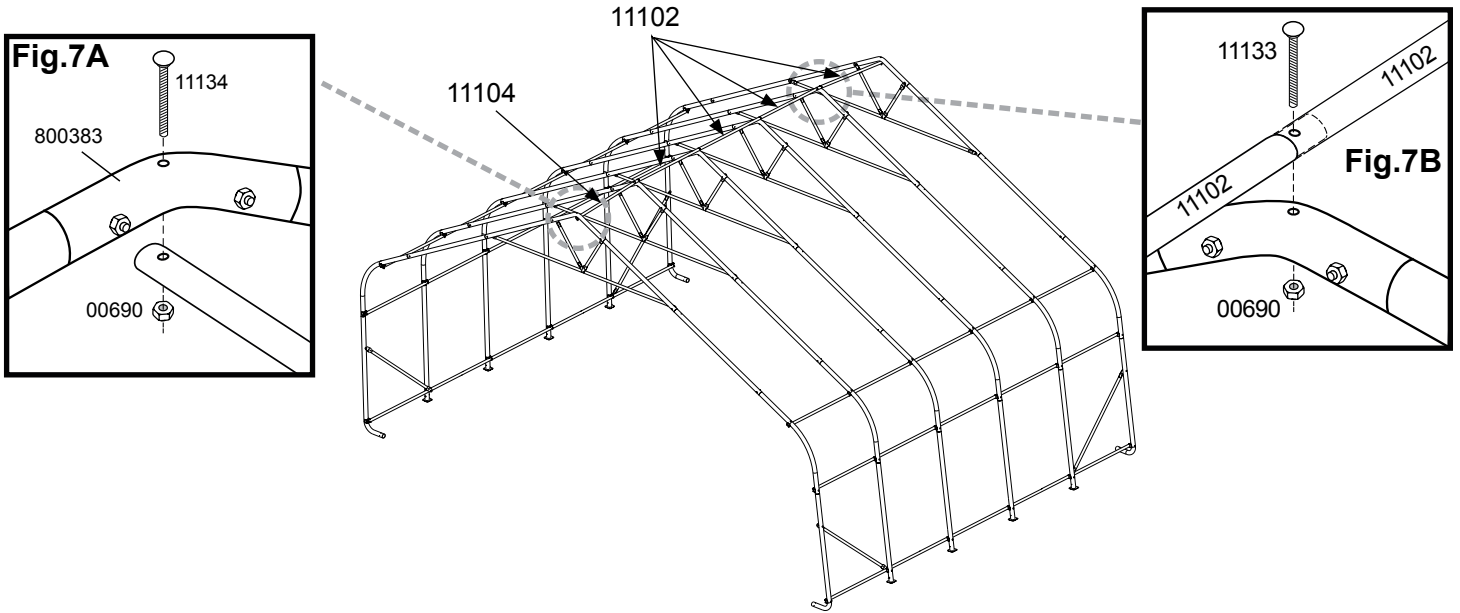
**Fig.6**



## 7. INSTALL TOP RAIL:

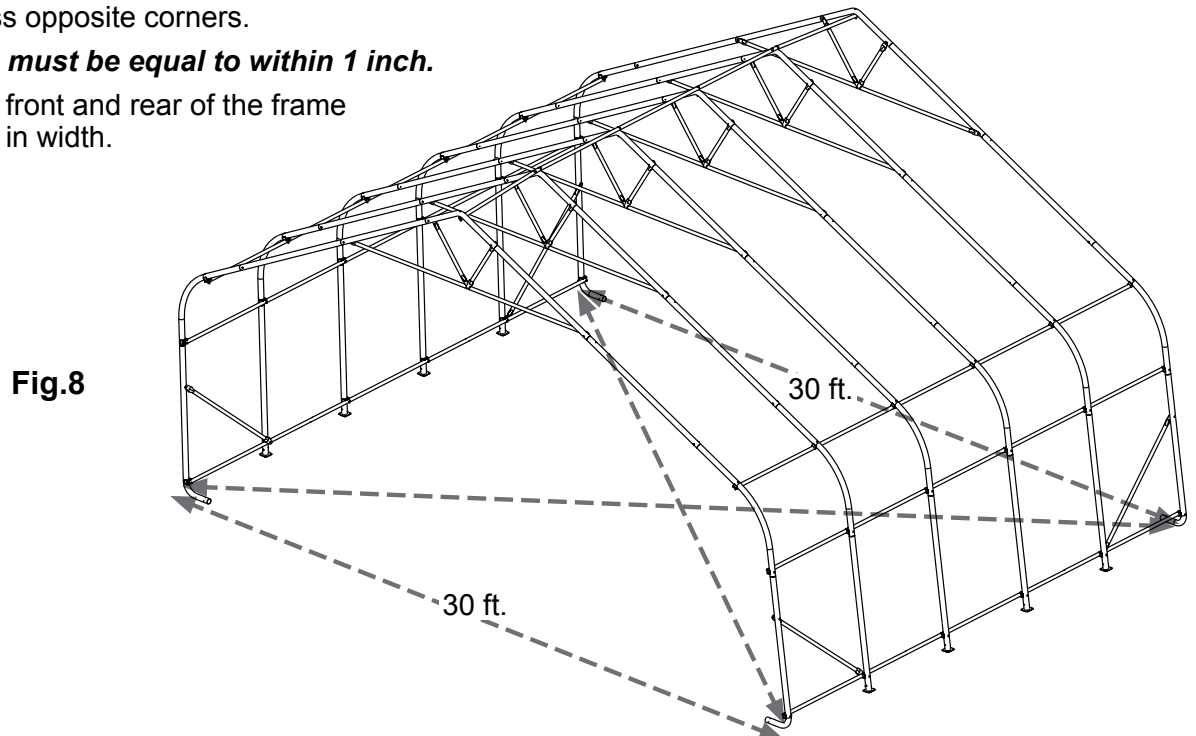
As with the Side Cross Rails, Use #11104 and #11102 Rails to make the Top Cross Rail:

- A. Place the first rail (#11104) under the end rib and secure it with bolt #11134 as shown in **Fig.7A**. **HAND-TIGHTEN this bolt.**
- B. Connect the rails to each other, laying the #11102 cross rails over the middle ribs. Use bolt #11133. **Fig.7B**
- C. Place the last rail under the rear end rib. **HAND-TIGHTEN this bolt.**



## 8. SQUARING UP THE FRAME

- A. Be sure the frame is in its final location, which needs to be as flat and level as possible.
- B. Measure across opposite corners.  
**These distances must be equal to within 1 inch.**
- C. Check that the front and rear of the frame measures 30 feet in width.



## 9. INSTALL EASY-HOOK EARTH ANCHORS:

- A. The anchors should be positioned at the four corners and the remaining should be spaced evenly on both sides of the shelter.
- B. Using the provided steel driving rod and a sledge hammer, drive each anchor into the ground leaving approximately 8 inches of cable exposed above the surface.
- C. Wrap the cable around the driving rod and pull up on the cable to set the anchor.
- D. After the anchors are firmly set, wrap the cable around the foot, then close with a cable clamp. Be sure to remove all slack from cable.

*If the ground is too hard, dig a hole with a shovel or post hole tool.  
Optional: Fill with cement.*

**For best results, ShelterLogic® recommends using one Easy Hook™ Drive Anchor at each leg for a stronger, more secure installation.**

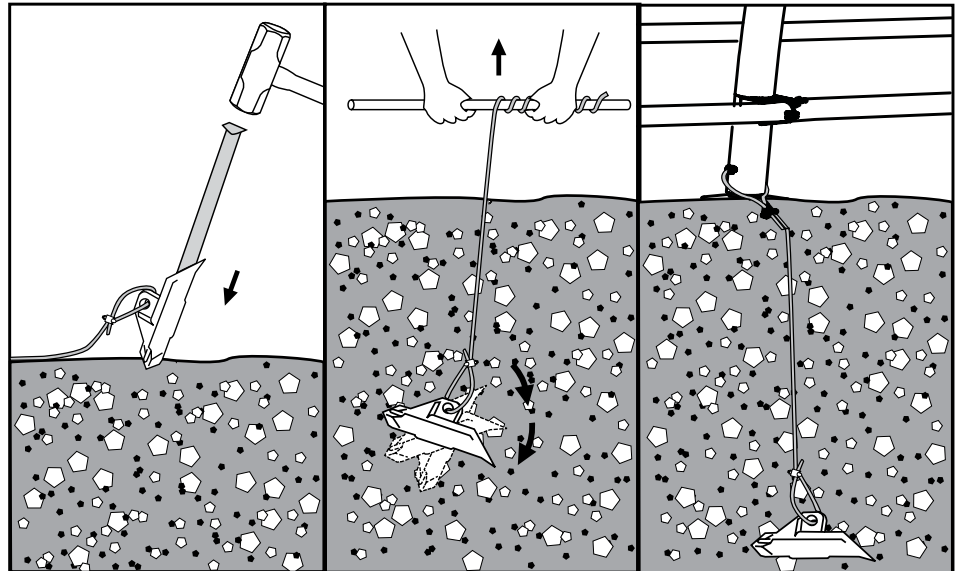
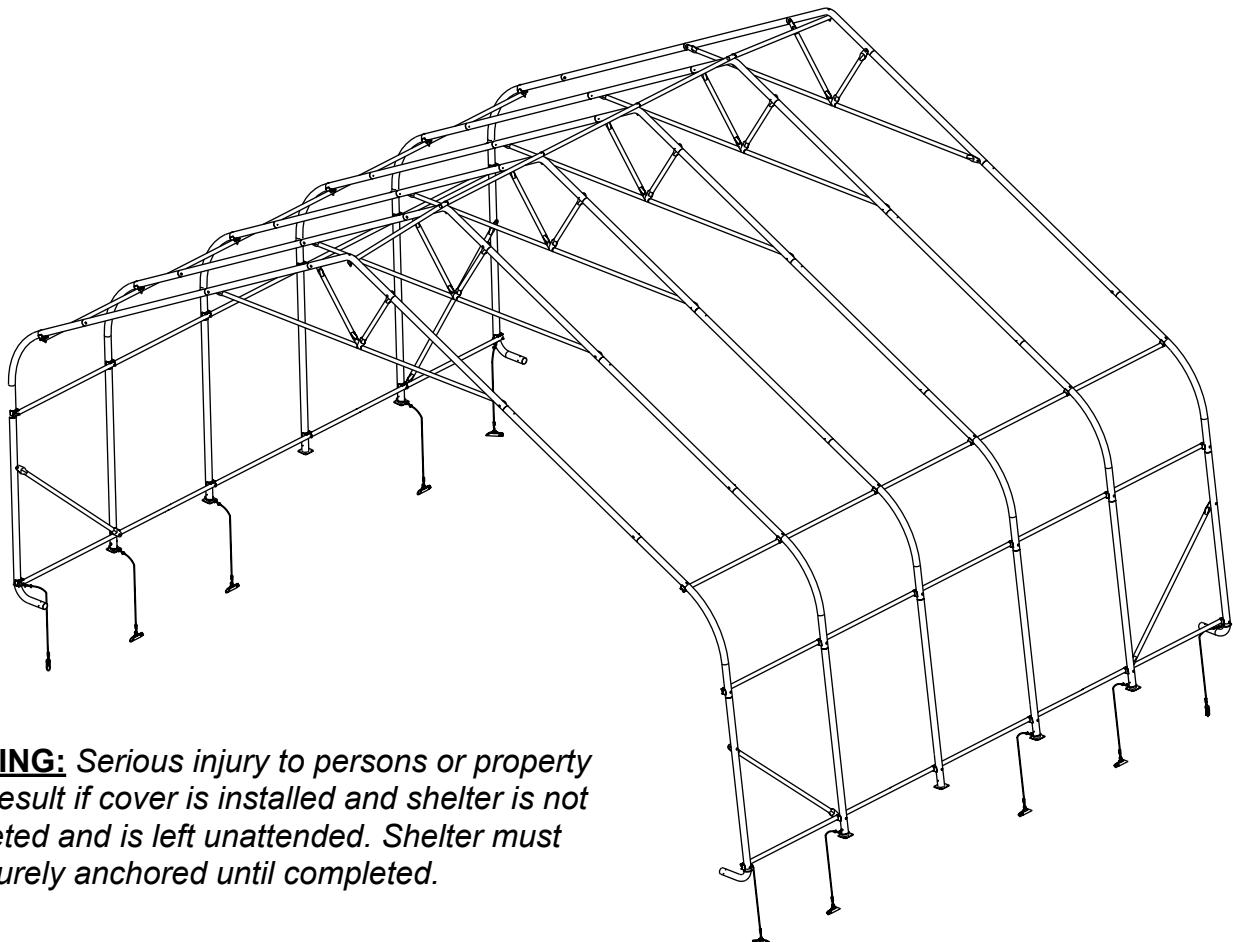


Fig.9



**WARNING:** *Serious injury to persons or property could result if cover is installed and shelter is not completed and is left unattended. Shelter must be securely anchored until completed.*



## 10. END AND DOOR PANEL INSTALLATION

- A. Hold end panel at the top center with white inner surface facing inside of the shelter. (If you purchased the white cover, the inner face has the visible weld seams at the webbing pocket.) **Wrap the edges of the fabric panel around the end rib.**
- B. Disconnect top cross rail (the horizontal pipes that run from front to back along the top) from the end rib. Pull the webbing (the black strap) below the cross rail. Reattach the top cross rail to the end rib.
- C. Remove the nut from the side rail and carefully pull the side rail away from the ShelterLock® (pull away only enough to pass the webbing through the connection). **If this connection has the wind brace on it remove the wind brace end before pulling the side rail.** Replace the cross rail and wind brace. Replace the nut and tighten. Repeat this on the other side.
- D. At the bottom, where the webbing exits the pocket on each side of end panel, pull webbing to remove the slack. **Be careful not to pull the webbing through the other side of the webbing pocket.**
- E. Insert the "S"- Hook on ratchet into hole on the leg bend. Insert the webbing into the spindle of the ratchet and pull tight. Wind the ratchet so that the webbing overlaps itself.

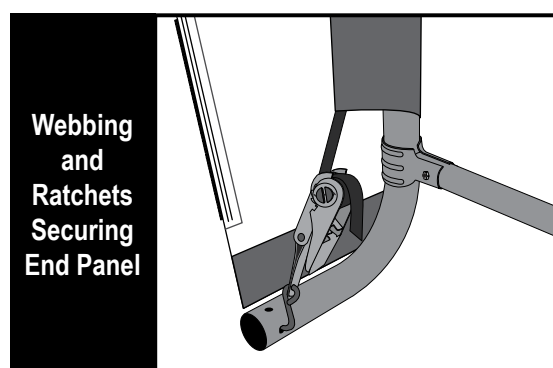
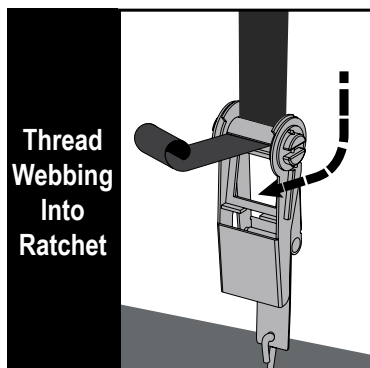
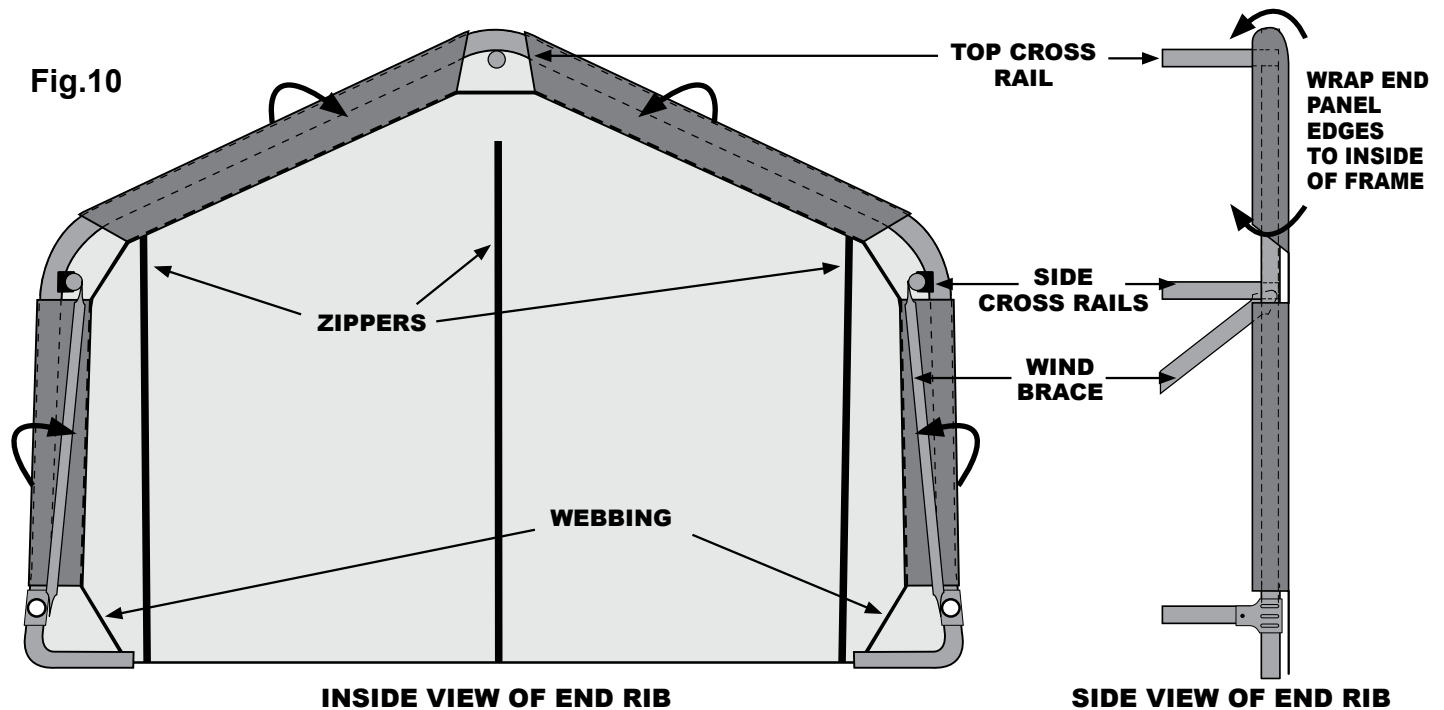
*Position the end panel so that it is centered on the building before fully tightening the end panel.*

- F. Tighten ratchets, alternating from one side to the other, until the end panel is centered and tight.

**NOTE:** Keep Zippers closed when tightening end panels.

**WRAP END PANEL EDGES OVER AND AROUND PIPE TOWARDS INSIDE OF FRAME.**

**IMPORTANT! DO NOT INSERT ANY PIPES INTO THESE POCKETS.**



# 11. INSTALLING THE COVER ON THE FRAME

END PANELS  
NOT SHOWN  
FOR CLARITY.

**A.** Lay the cover on the ground next to the frame with the inside of the cover (the side with the pipe pockets) facing down and the webbing on the front and rear of the corner of the building. Position the cover so that it is centered to the frame, front to back. Fig. 11A

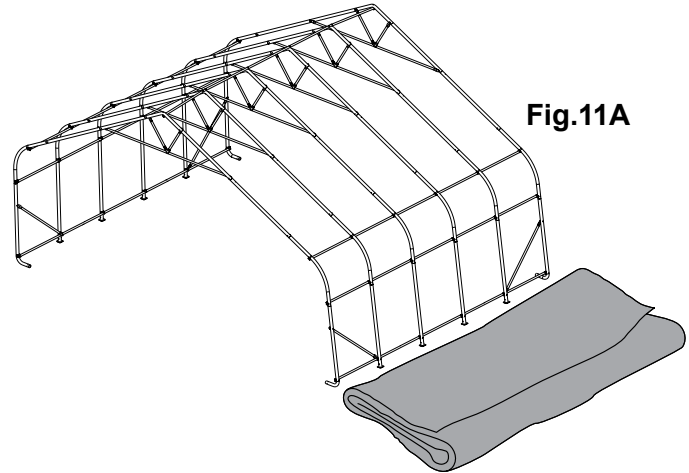


Fig.11A

**B.** Fold over the side closest to the frame so the pipe pocket is now accessible. Insert a cover pipe at the first middle rib from the front and the first middle rib from the rear so that it is inserted in the pipe pocket on both ends of the pipe but the center of the pipe is exposed. For long buildings it may be necessary to use additional pipes in the middle. Fig. 11B.

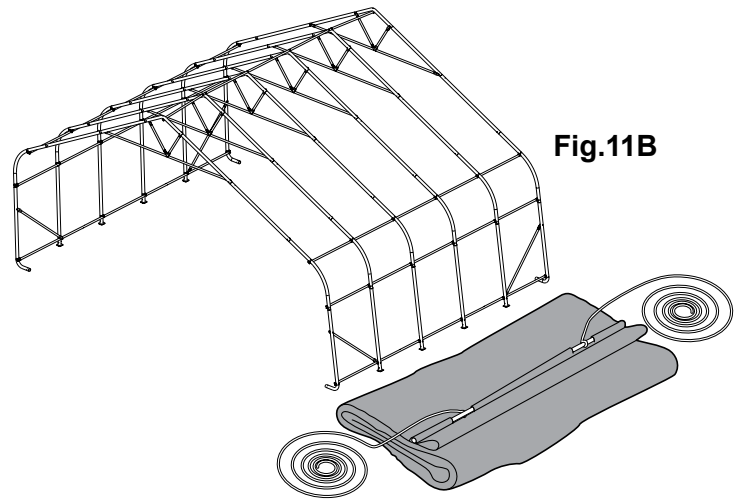


Fig.11B

**C.** Tie the rope on each of the exposed pipes and throw the other end of the rope over the frame. Fig. 11C.

**D.** Move to the other side of the frame and pull the cover over the frame with the rope. This may require two or more people. Fig. 11D.

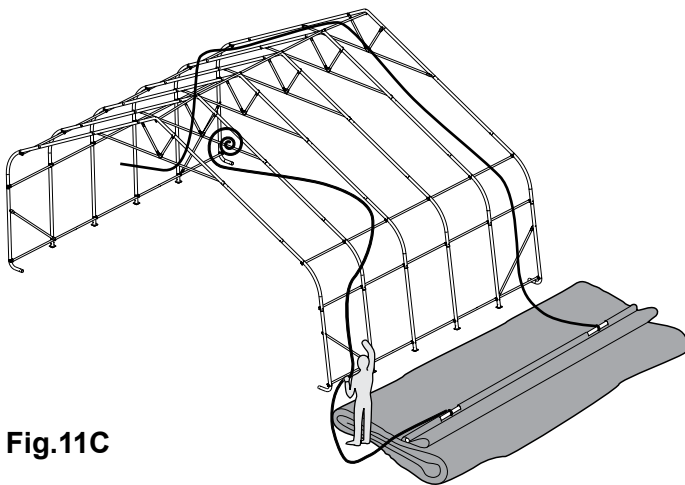


Fig.11C

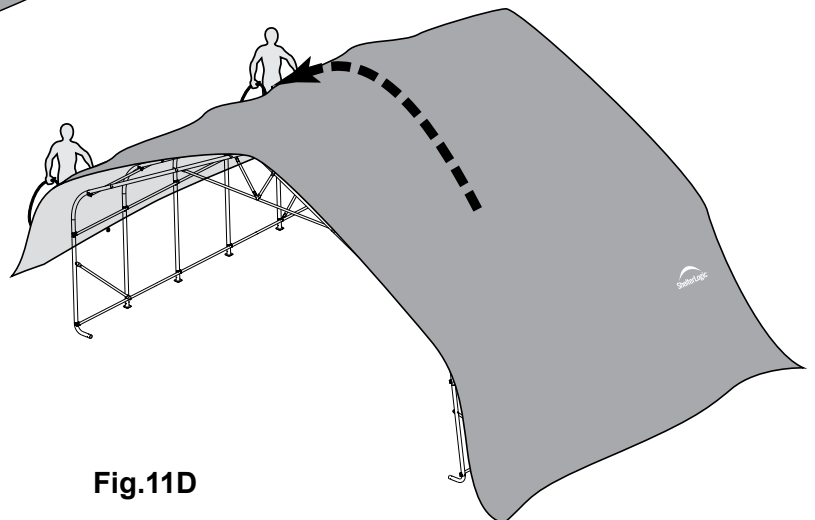


Fig.11D

**NOTE: CHECK THAT YOUR COVER IS CORRECTLY PLACED ON THE FRAME.**  
The ShelterLogic® logo should line up on the left front and right rear corners near the top rail. If the logo is not legible, the cover has not been put on the frame correctly.

# 11. INSTALLING THE COVER ON THE FRAME - continued

E. After cover is centered on frame, insert a Cover Rail (#11105) into each pocket on the inside of the cover in the roof.

F. Use 3-Way (#11106) and 4-Way (#11107) Clamps to connect them to the ribs. Hand-tighten bolts (#11130). See Figure 11F.

**NOTE:** To avoid damage to fabric, face bolt heads towards cover.

G. Using cover rails, pull top portion of cover tightly downward and outward from the center and tighten bolts.

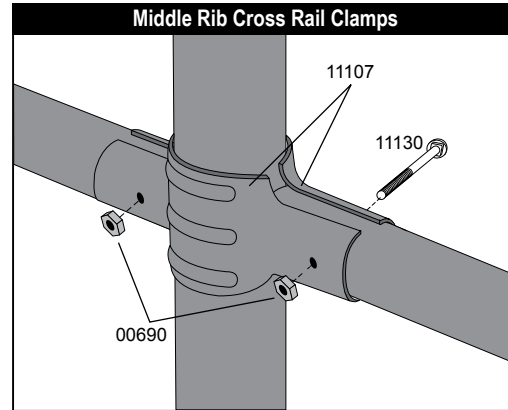
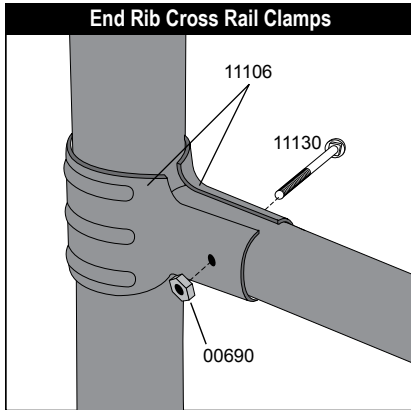
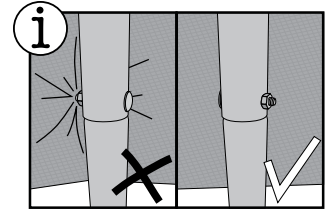
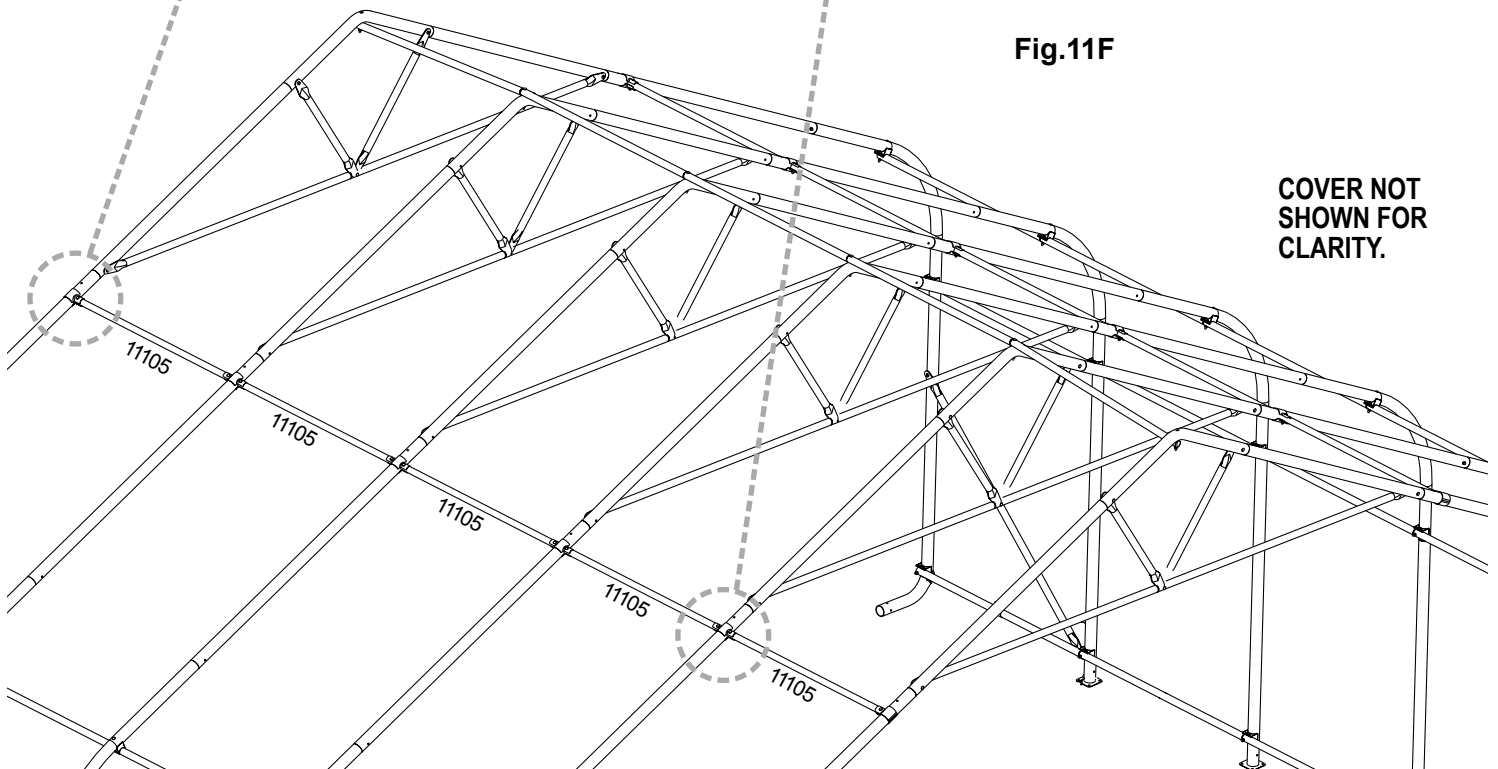


Fig.11F



## 11. INSTALLING THE COVER ON THE FRAME - continued

H. At the corners, insert the “S”- Hook on ratchet into hole on the leg bend. Insert the webbing into the spindle of the ratchet and pull tight. Wind the ratchet so that the webbing overlaps itself. See Figure 11G.

I. Repeat these steps on the opposite side, then repeat this on the back side of the shelter.

J. Adjust the cover front to back so that it is centered. Install the bottom cover rails (#802051 and #802050) by inserting them into the pipe pockets on each side of the cover. An opening allows the webbing to wrap around cover rail and base rail to secure the cover. Tighten webbing using ratchet as shown in Figure 11J

K. Tighten all of the ratchets. Do this in an “X” pattern to be sure it is tightened evenly.

Fig.11G

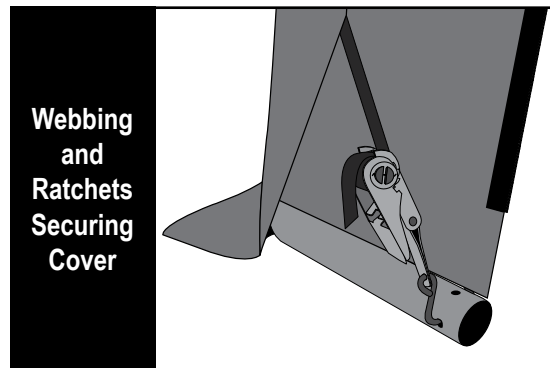
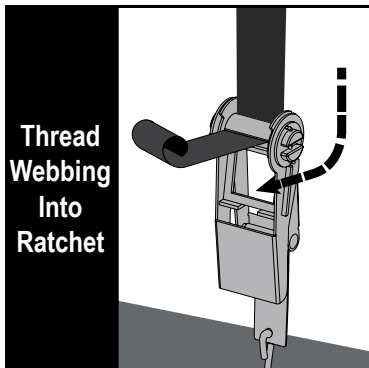
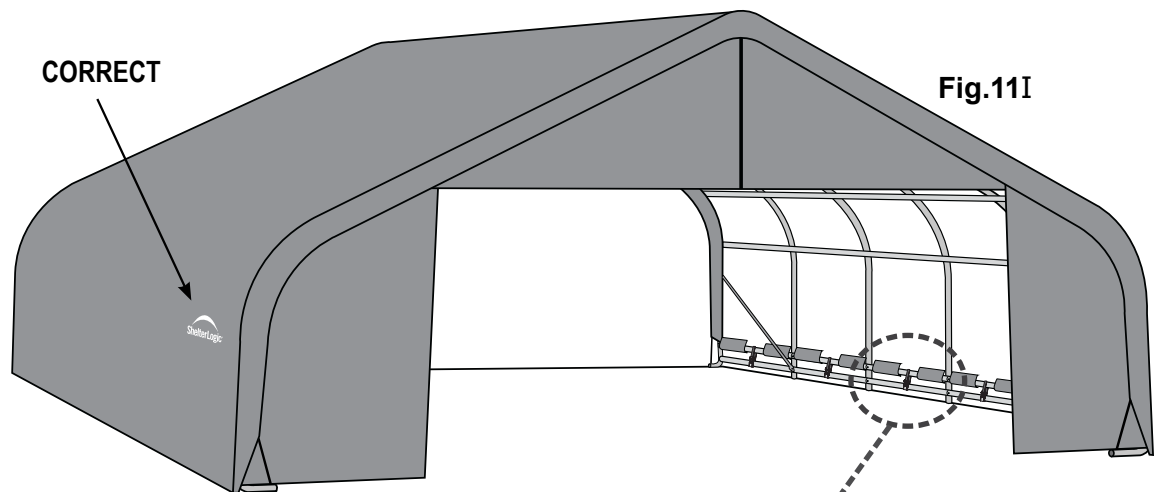
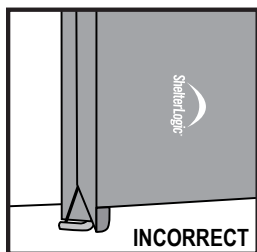


Fig.11H

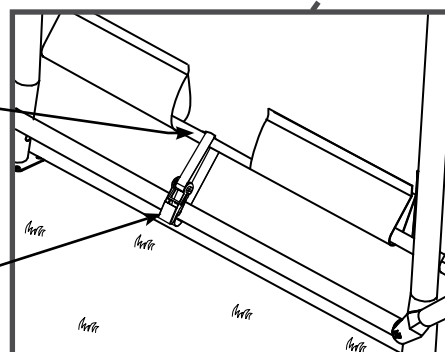
### NOTE: CHECK THAT YOUR COVER IS CORRECTLY PLACED ON THE FRAME.

The ShelterLogic® logo should line up on the left front and right rear corners. If the logo does not read correctly, the cover has not been put on the frame correctly.



ASSEMBLED COVER RAIL

TIGHTEN COVER DOWN WITH RATCHET, STARTING AT ONE END WORKING TO OPPOSITE END ON BOTH SIDES.

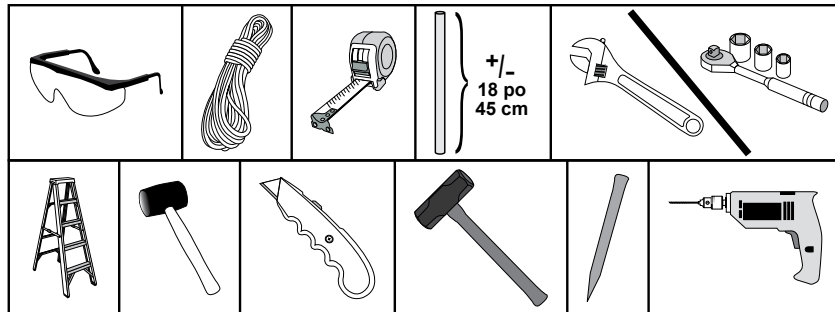
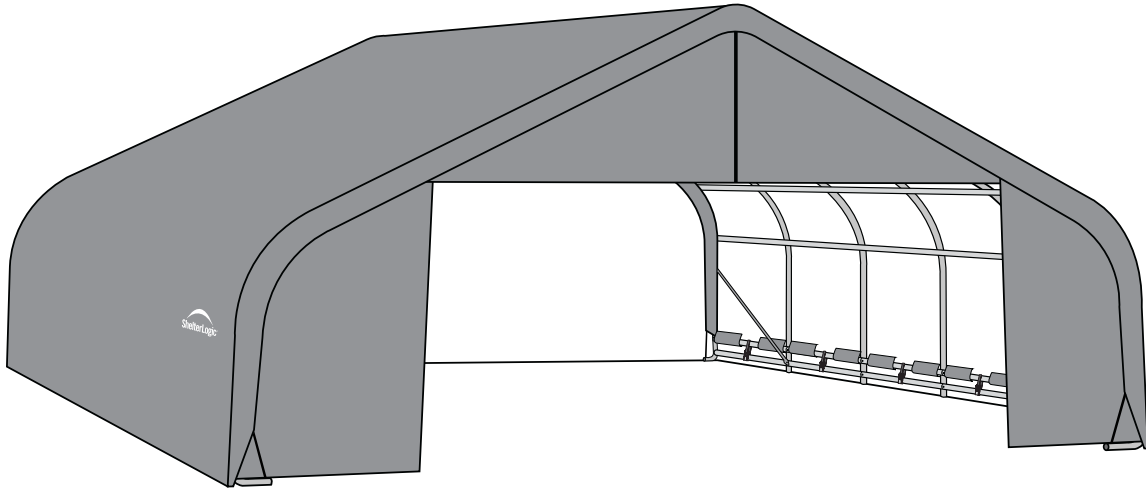


#### Cover Tightening Tip

Check and tighten Ratchets and Cross Rails monthly to ensure the cover is tight.

# Abri à toit pointu, 9,1 m (larg.) x 4,9 m (haut.)

## Guide d'assemblage



**Veillez lire TOUTES les instructions avant d'entreprendre l'assemblage. Cet abri DOIT être bien ancré.  
CECI EST UNE STRUCTURE TEMPORAIRE, IL N'EST PAS RECOMMANDÉ D'EN FAIRE UNE STRUCTURE PERMANENTE.**

**Avant de commencer :** Il faut 5 personnes ou plus pour le montage.  
Le temps de montage dépend de la longueur de votre bâtiment.  
Veillez prévoir environ 15 minutes pour chaque pied de longueur du bâtiment.

  
**ShelterLogic®**  
150 Callender Road  
Watertown, CT 06795  
www.shelterlogic.com

**1-800-524-9970**

Canada :  
**1-800-559-6175**

## ATTENTION :

Cet abri est fabriqué avec des matériaux de qualité. Il est conçu en fonction de la toile adaptée **ShelterLogic® Corp.** fournie. Les abris **ShelterLogic® Corp.** offrent de l'espace de rangement et de la protection contre les dommages causés par le soleil, la pluie légère, la sève, les excréments d'animaux ou d'oiseaux et la neige légère. Veuillez ancrer adéquatement cette structure **ShelterLogic® Corp.** Consultez le guide pour connaître les détails sur l'ancrage. Il incombe à l'utilisateur d'assurer un ancrage adéquat et de garder la toile bien tendue et exempte de neige ou de débris. Veuillez lire et vous assurer de bien comprendre les détails de l'installation, les avertissements et les mises en garde avant d'entreprendre l'installation. Pour toute question, téléphonez au service à la clientèle au numéro ci-dessous. Veuillez aussi consulter la fiche de garantie se trouvant dans l'emballage.

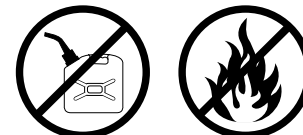
## DANGER :

Avant d'entreprendre l'installation, vérifiez tous les règlements municipaux concernant les abris temporaires. Choisissez soigneusement l'emplacement de l'abri. **DANGER : Tenez-vous éloigné des fils électriques.** Évitez les lignes électriques, les branches d'arbres et les autres types de structures. Avant de creuser, vérifiez la présence de tuyaux ou de fils enfouis. N'installez PAS cet abri à proximité d'un toit ou de toute autre structure pouvant laisser tomber de la neige, de la glace ou des débris. Ne suspendez AUCUN objet au toit ou aux câbles de soutien.



## AVERTISSEMENT :

Risque d'incendie. Ne fumez PAS et n'utilisez AUCUN dispositif produisant des flammes (p. ex., un barbecue, un foyer, une friteuse, un fumoir ou une lanterne) à proximité de l'abri. Ne rangez PAS des liquides inflammables (essence, kérosène, propane, etc.) à proximité de l'abri. N'exposez pas le dessus ou les parois de l'abri au feu ou à toute source d'incendie.



## ATTENTION :

Soyez PRUDENT au moment de monter l'armature. Portez des lunettes de sécurité durant l'installation. Boulonnez les mâts supérieurs durant l'assemblage. Prenez garde aux extrémités des mâts.

## ANCRAGE ET INSTALLATION DE L'ARMATURE :

### IL INCOMBE À L'UTILISATEUR D'ASSURER L'ANCRAGE ADÉQUAT DE L'ARMATURE.

**ShelterLogic® Corp.** n'assume aucune responsabilité pour les dommages causés à l'abri ou à son contenu par les catastrophes naturelles. Tout abri n'étant pas ancré solidement risque de s'envoler et de causer des dommages, ce qui n'est pas couvert par la garantie. Vérifiez périodiquement les ancrages pour assurer la stabilité de l'abri. **ShelterLogic® Corp.** ne peut être tenue responsable d'un abri qui s'envole. **REMARQUE :** La toile de l'abri peut être retirée rapidement pour être entreposée en prévision de mauvais temps. Si des vents forts ou du mauvais temps sont prévus pour votre région, nous vous recommandons d'enlever la toile de l'abri.

## PIÈCES DE RECHANGE ET COMMANDES SPÉCIALES :

Des pièces de rechange et des accessoires d'origine **ShelterLogic® Corp.** sont disponibles à l'usine, notamment des nécessaires d'ancrage pour presque toute utilisation, des toiles de rechange, des ensembles de parois, des nécessaires d'aération ou d'éclairage, des pièces d'armature, des portes à glissière, etc. Tous ces articles sont expédiés directement chez vous à partir de l'usine.

## QUESTIONS, RÉCLAMATIONS OU COMMANDES SPÉCIALES – LIGNE D'AIDE DU SERVICE À LA CLIENTÈLE :

ÉTATS-UNIS : 1-800-524-9970

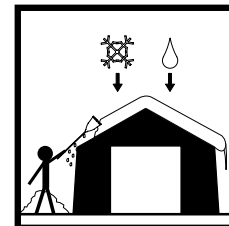
SERVICE À LA CLIENTÈLE INTERNATIONAL : 001-860-945-6442

CANADA : 1-800-559-6175

HEURES D'OUVERTURE : DU LUNDI AU VENDREDI DE 8 H 30 À 20 H (HE), SAMEDI ET DIMANCHE DE 8 H 30 À 17 H (HE)

## ENTRETIEN ET NETTOYAGE :

Une toile bien tendue assure une longue durée utile. Gardez toujours la toile bien tendue. Une toile desserrée accélère la détérioration du tissu. Enlevez sans attendre toute accumulation de débris sur le toit à l'aide d'un balai, d'une vadrouille ou d'un autre outil souple. Soyez très prudent au moment d'enlever la neige de la toile. Enlevez-la toujours à partir de l'extérieur de la structure. N'utilisez PAS d'outils rigides comme des râteliers ou des pelles pour enlever la neige, car ils risqueraient de perforer la toile. N'utilisez PAS de javellisants ou d'abrasifs pour nettoyer la toile. Utilisez tout simplement de l'eau savonneuse pour nettoyer la toile.



## GARANTIE :

Cet abri offre une garantie limitée contre les défauts de fabrication. **ShelterLogic® Corp.** garantit à l'acheteur initial que s'il est installé et utilisé adéquatement, cet article et toutes ses pièces sont exempts de défaut de fabrication pendant une période de :

### 1 AN POUR LA TOILE, LES PANNEAUX D'EXTRÉMITÉ ET L'ARMATURE.

La période de garantie est calculée à partir de la date d'expédition par **ShelterLogic® Corp.** pour les achats faits directement à l'usine ou de la date d'achat chez un revendeur autorisé (veuillez conserver votre reçu d'achat). Si cet article ou une de ses pièces est jugé défectueux ou qu'il est manquant au moment de la réception, **ShelterLogic® Corp.** réparera ou remplacera, à sa discrétion, toute pièce défectueuse sans frais pour l'acheteur initial. Toute pièce remplacée ou réparée demeure couverte durant le reste de la période de garantie limitée initiale. Tous les frais d'expédition sont à la charge du client. Les pièces et les composants de rechange sont expédiés contre remboursement. Veuillez conserver le matériel d'emballage initial pour l'envoi de retour. Pour les achats faits chez un marchand local, toute réclamation doit être accompagnée d'une copie du reçu initial. Après l'achat, veuillez remplir et expédier la fiche de garantie pour inscrire l'article. Veuillez consulter la fiche de garantie pour obtenir de plus amples renseignements.

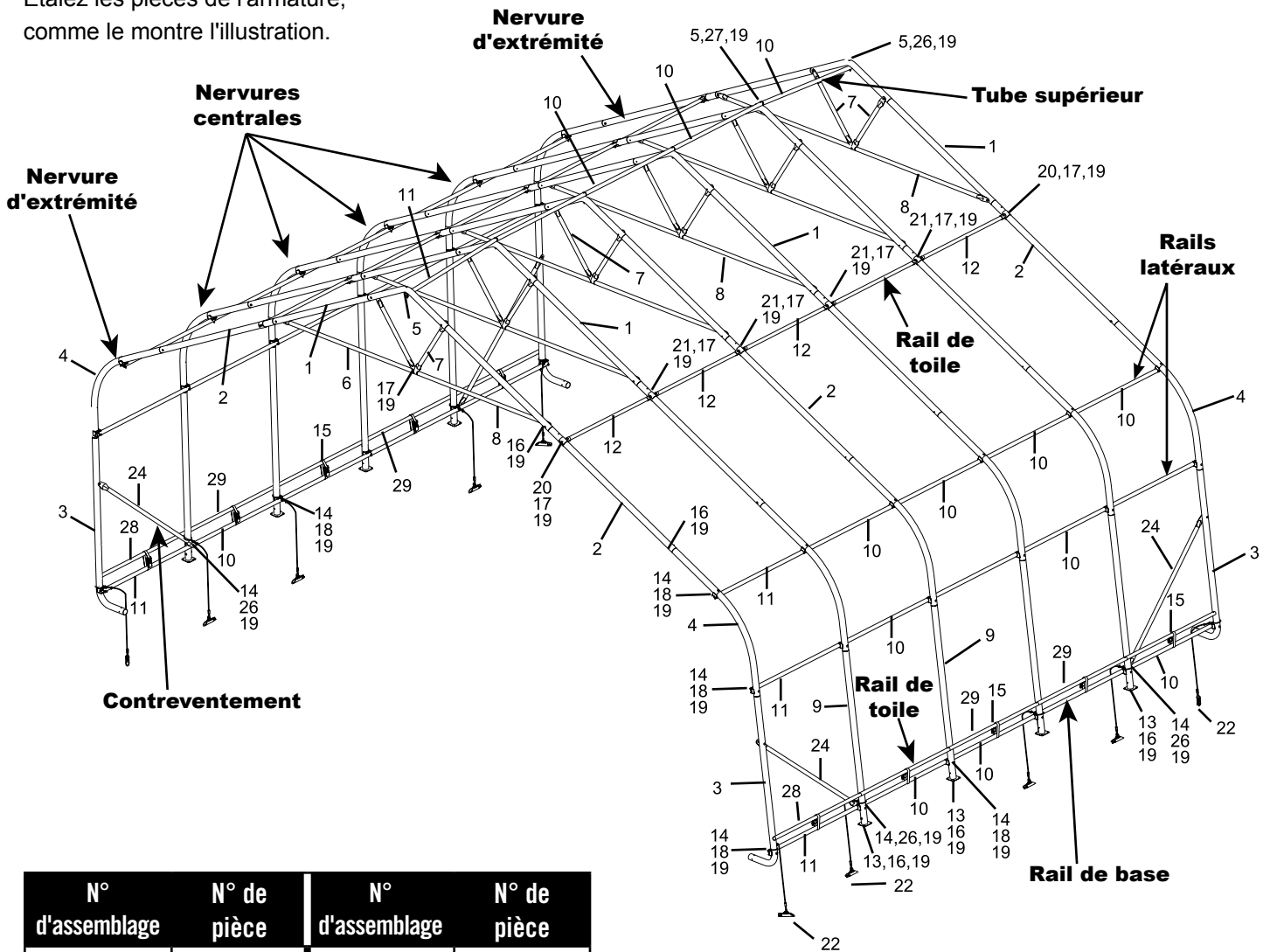
Brevets Américains et brevets en instance : 6,871,614; 6,994,099; 7,296,584; D 430,306; D 415,571; D 414,564; D 409,310; D 415,572

090111

# Abri à toit pointu, 9,1 m (larg.) x 4,9 m (haut.) - Assemblage de l'armature

Veillez lire et vous assurer de bien comprendre TOUTES les instructions avant d'entreprendre l'assemblage.

Étalez les pièces de l'armature, comme le montre l'illustration.



N° d'assemblage	N° de pièce	N° d'assemblage	N° de pièce
1	800384	16	11131
2	800385	17	11130
3	800435	18	800454
4	800386	19	00690
5	800383	20	11106
6	800389	21	11107
7	800391	22	00828
8	800390	23	00825
9	800436	24	800440
10	11102	25	WB602RS1
11	11104	26	11134
12	11105	27	11133
13	800859	28	802051
14	800372	29	802050
15	WB601RS24		

**ATTENTION :**  
**EN CAS DE PIÈCE MANQUANTE**  
**ET POUR TOUTE PIÈCE DE**  
**RECHANGE OU TOUTE QUESTION,**  
**VEUILLEZ COMMUNIQUER AVEC**  
**LE SERVICE À LA CLIENTÈLE :**  
**1.800.524.9970**  
**CANADA 1.800.559.6175**



## REMARQUE : NÉCESSAIRE DE RALLONGE D'ARMATURE

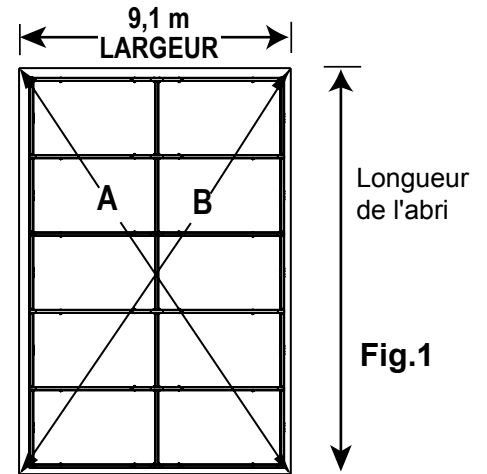
L'armature de base mesure 9,1 x 6,1 x 4,9 m. Votre abri peut comporter davantage de nervures centrales que l'illustration de la page 15. Vous recevez une nervure additionnelle pour chaque section supplémentaire de 1,2 m. L'assemblage de l'armature de base reste le même. La taille de la toile correspondra à la longueur de l'abri.

### 1. TRACEZ L'EMPLACEMENT

Avant d'assembler l'abri, vous devez choisir une surface plane et y tracer son emplacement.

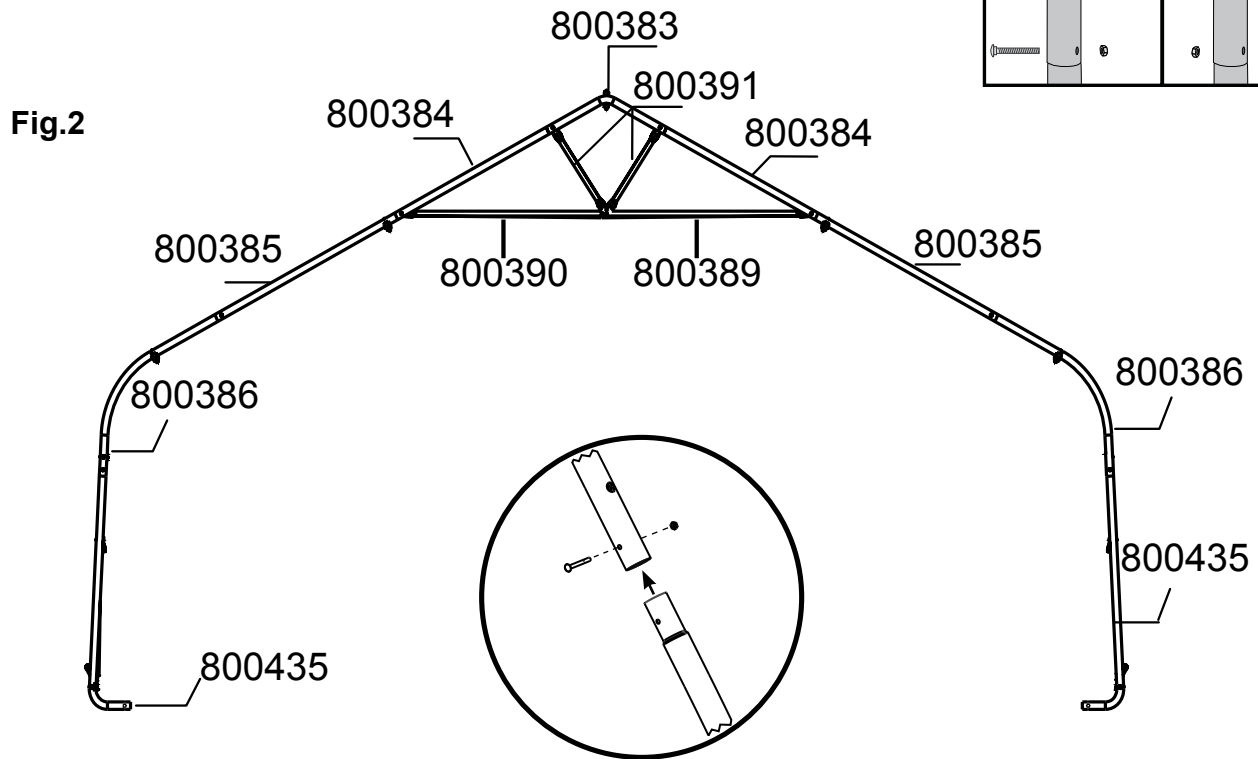
**A.** Piquez l'emplacement de l'abri à l'endroit choisi. La largeur de l'emplacement doit être au moins égale à la largeur de l'abri et sa longueur, à celle de l'abri (fig. 1).

**B.** Mesurez la distance en diagonale entre les coins (A et B). Cette distance doit être égale dans tous les cas. Sinon, les piquets doivent être déplacés jusqu'à ce que la largeur, la longueur et les mesures soient correctes.



### 2. ASSEMBLEZ LES NERVURES D'EXTRÉMITÉ

Assemblez les nervures d'extrémité comme le montre la fig. 2. Serrez bien tous les joints avec les fixations illustrées.



Utilisez les  
boulons n° 11131  
(5/16 x 2 3/4 po)



### 3. ASSEMBLEZ LES NERVURES CENTRALES

Assemblez les nervures centrales comme le montre la fig. 3. Serrez bien tous les joints avec les fixations illustrées.

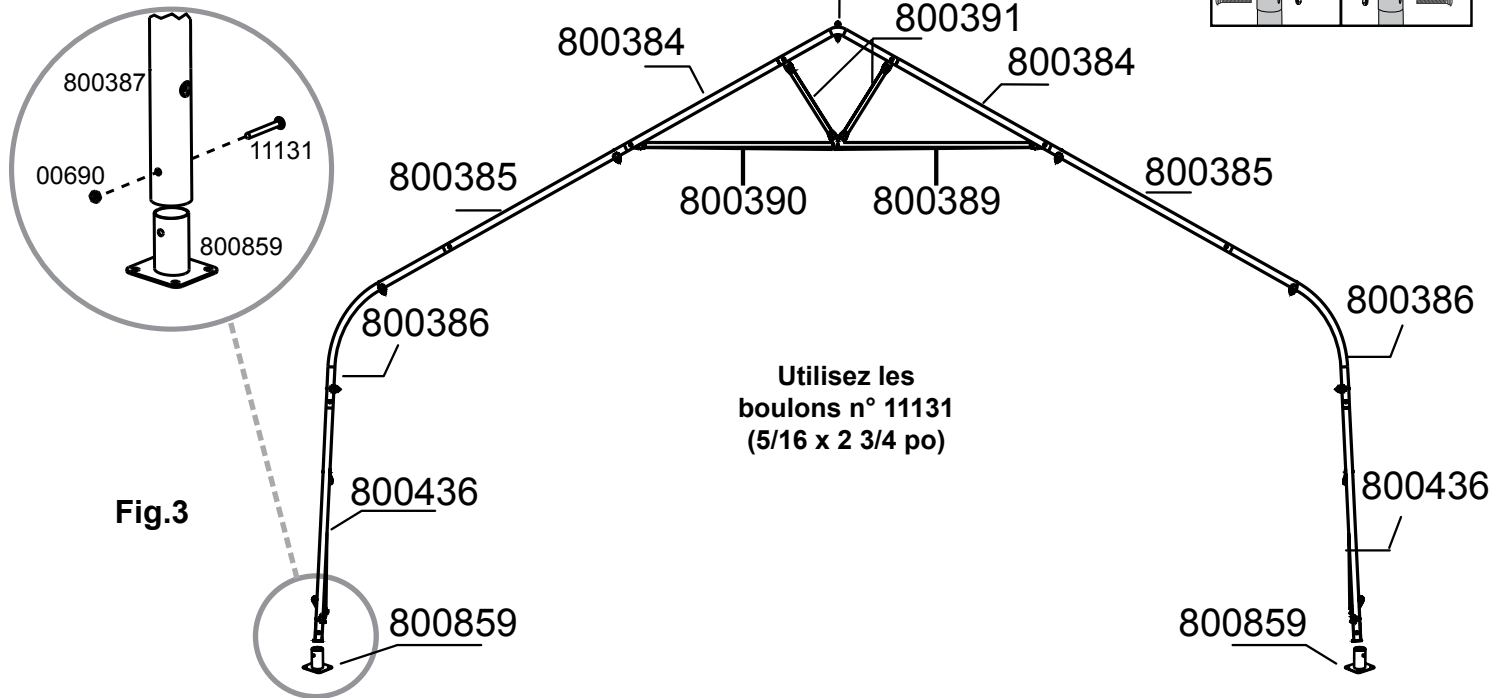


Fig.3

### 4. INSTALLEZ LES RAILS LATÉRAUX ET LES STABILISATEURS SHELTERLOCK®

**A.** Placez la nervure avant à l'emplacement piqueté. Placez les stabilisateurs ShelterLock (800372) sur les montants comme le montre la fig. 4. À partir de l'extérieur de la nervure, insérez le boulon dans le montant, puis dans le stabilisateur ShelterLock®.

**B.** Placez les premiers rails latéraux (11104) sur les boulons et logez-les dans les stabilisateurs ShelterLock. Posez un écrou sur chaque boulon et **SERREZ À LA MAIN LE BOULON QUI RELIE LA NERVURE D'EXTRÉMITÉ.**

**REMARQUE :** Les rails de toile coulissants (11105) doivent être fixés à l'armature après l'étape 8, une fois que la toile est placée sur l'armature. Voir l'étape 9.

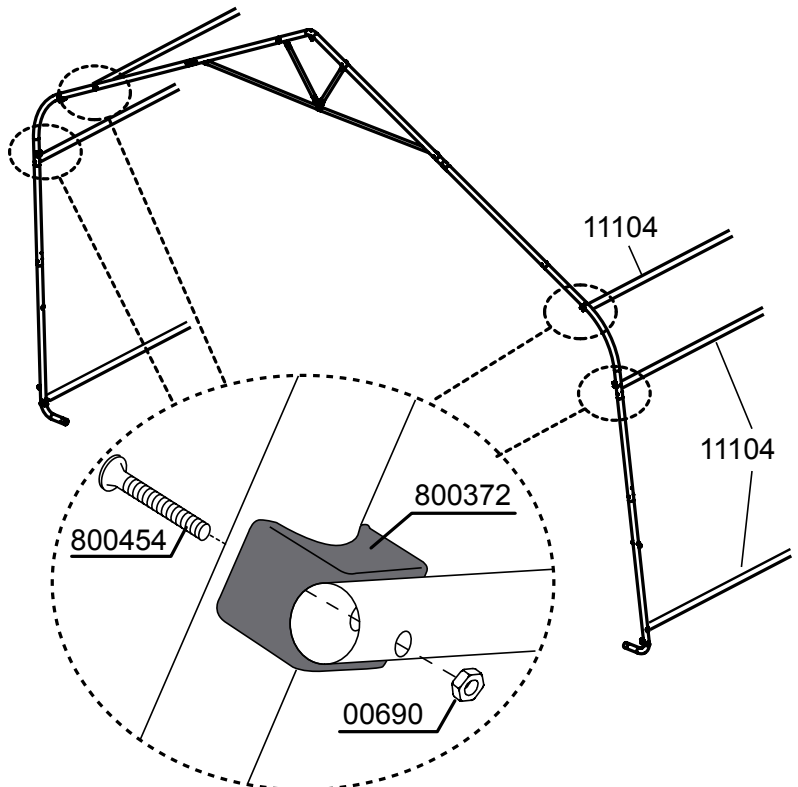
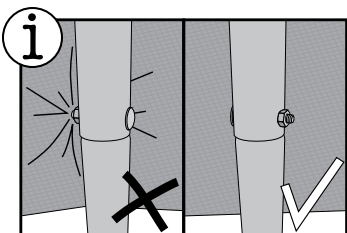


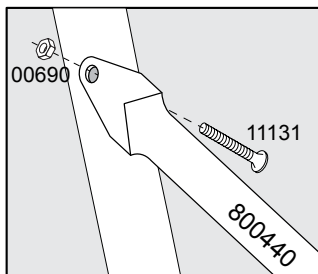
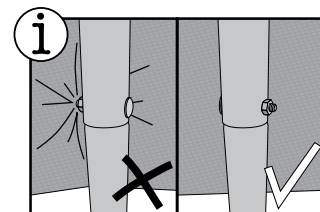
Fig.4



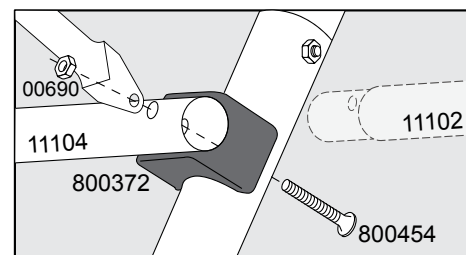
## **5. RELIEZ LA PREMIÈRE NERVURE CENTRALE ET INSTALLEZ LES CONTREVENTEMENTS**

Fixez un contreventement (800440) entre la nervure d'extrémité et la première nervure centrale comme le montre la figure 5.

Les boulons fixés aux traverses doivent être orientés vers l'intérieur de l'abri.



**Fig.5**

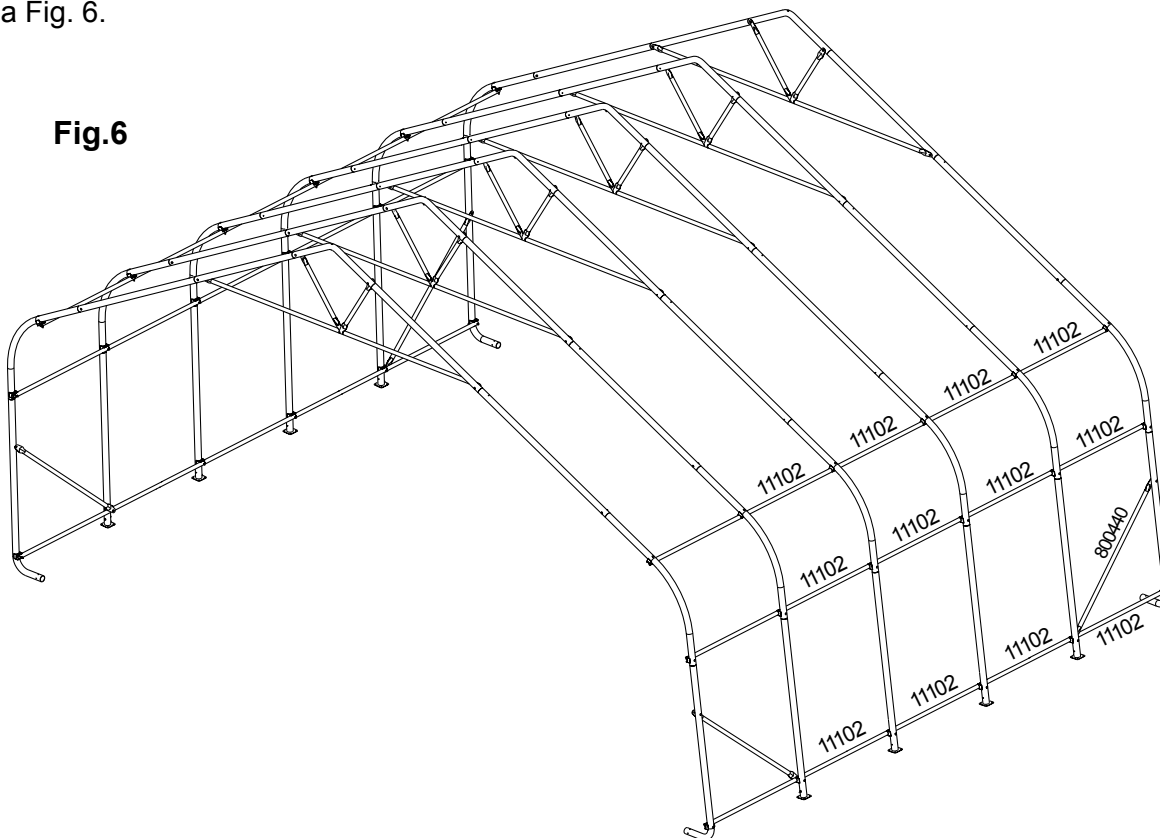


## **6. RELIEZ LES NERVURES RESTANTES**

**A.** Utilisez les rails latéraux (11102) pour relier les nervures restantes et la nervure d'extrémité arrière.

**B.** Placez des contreventements (800440) entre la nervure d'extrémité et la dernière nervure centrale comme le montre la Fig. 6.

**Fig.6**



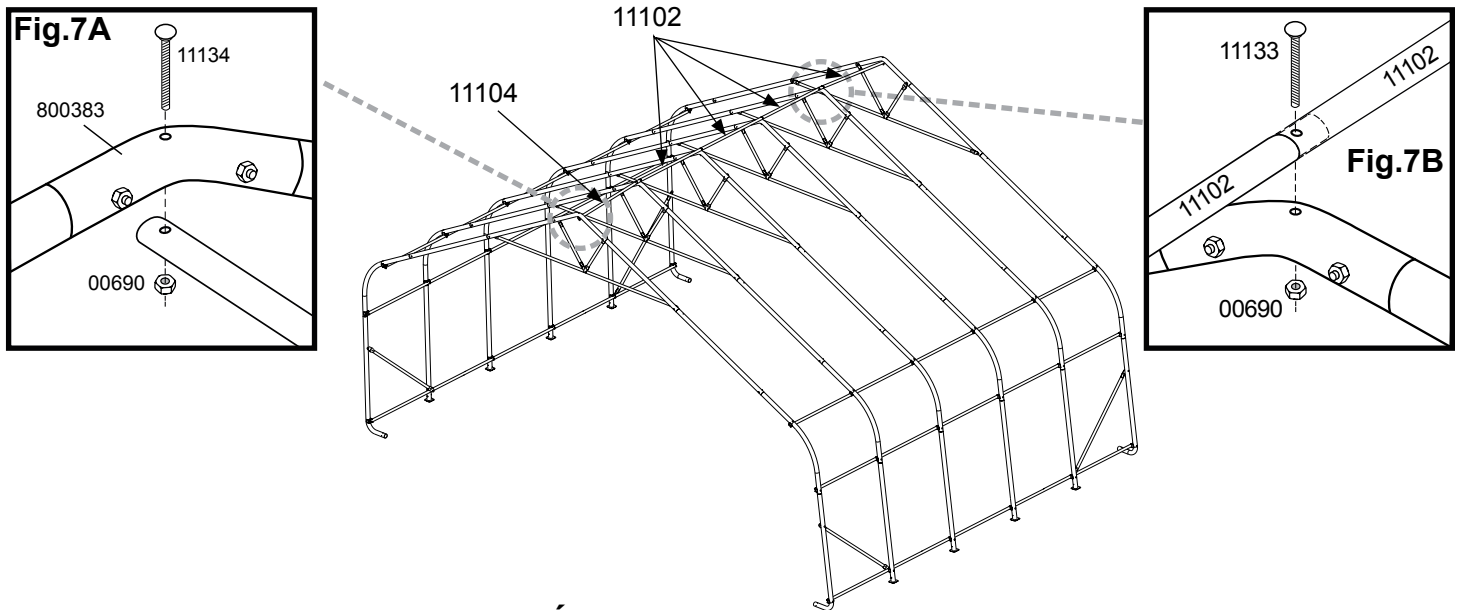
## 7. INSTALLEZ LA TRAVERSE SUPÉRIEURE

À l'instar des traverses latérales, utilisez les traverses 11104 et 11102 pour composer la traverse supérieure.

**A.** Placez la première traverse (11104) sous la nervure d'extrémité et fixez-la avec le boulon 11134 comme le montre la Fig.7A. **Serrez ce boulon À LA MAIN.**

**B.** Reliez les traverses entre elles en plaçant les traverses 11102 sur les nervures centrales. Utilisez le boulon 11133 (voir la Fig. 7B).

**C.** Placez la dernière traverse sous la nervure d'extrémité arrière. **Serrez ce boulon À LA MAIN.**

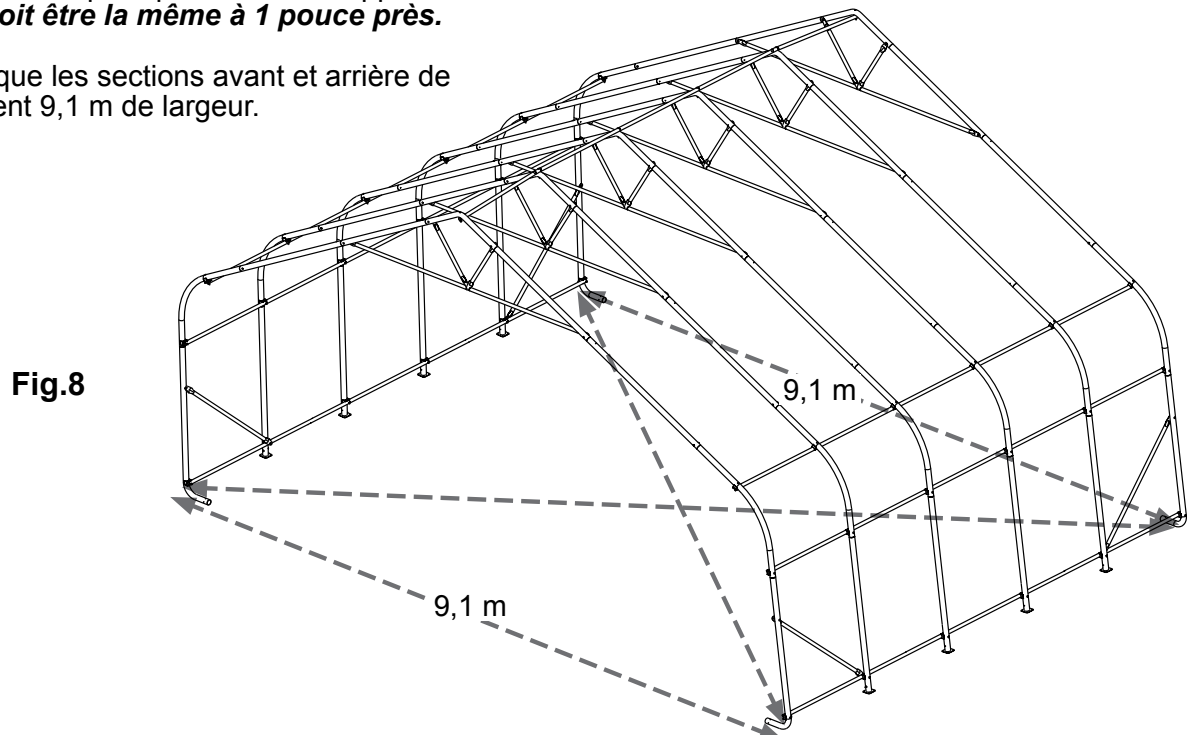


## 8. METTEZ L'ARMATURE EN ÉQUERRE

**A.** Placez l'armature à son emplacement définitif, dont la surface doit être aussi plane que possible.

**B.** Mesurez la distance qui sépare les coins opposés. **Cette distance doit être la même à 1 pouce près.**

**C.** Assurez-vous que les sections avant et arrière de l'armature mesurent 9,1 m de largeur.



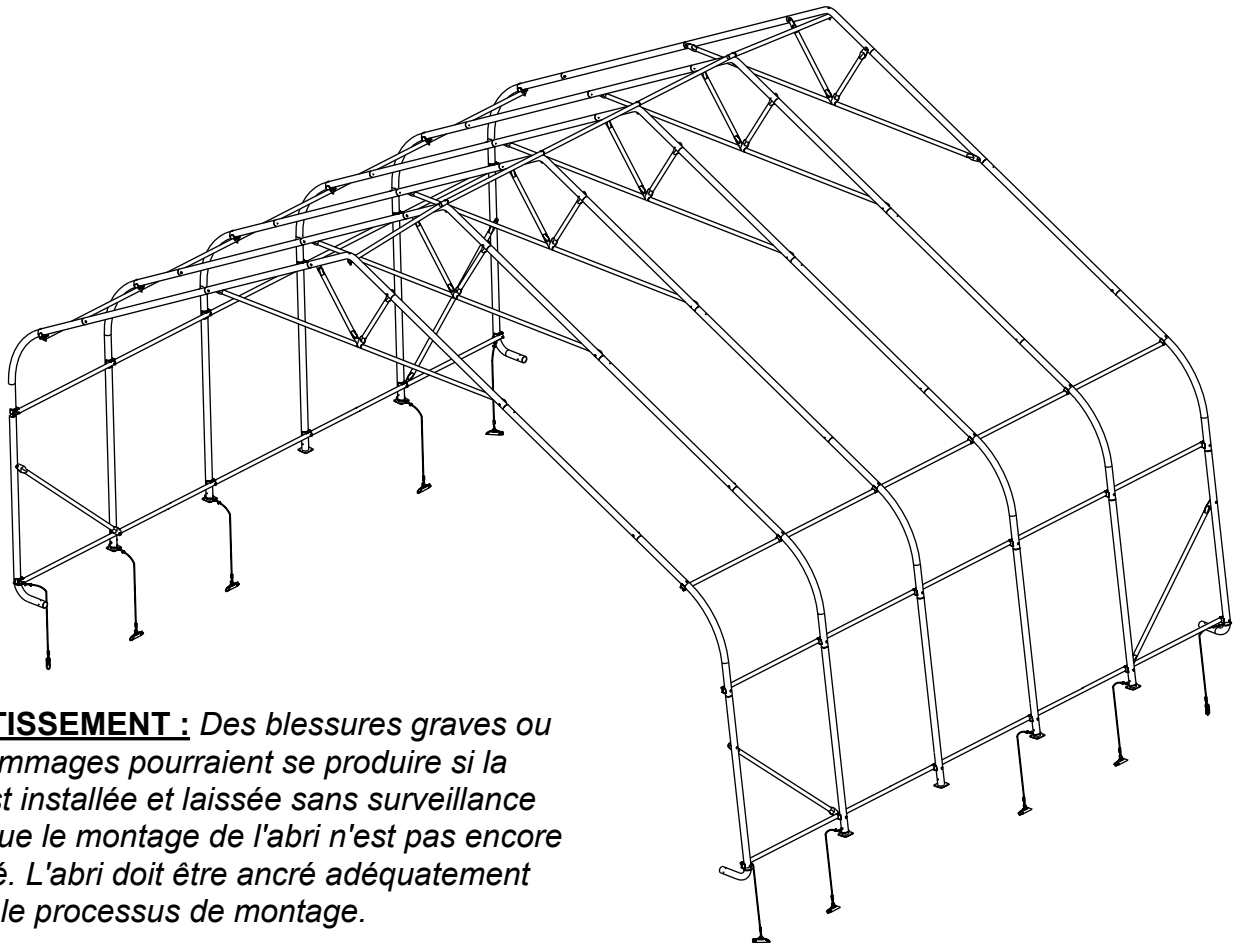
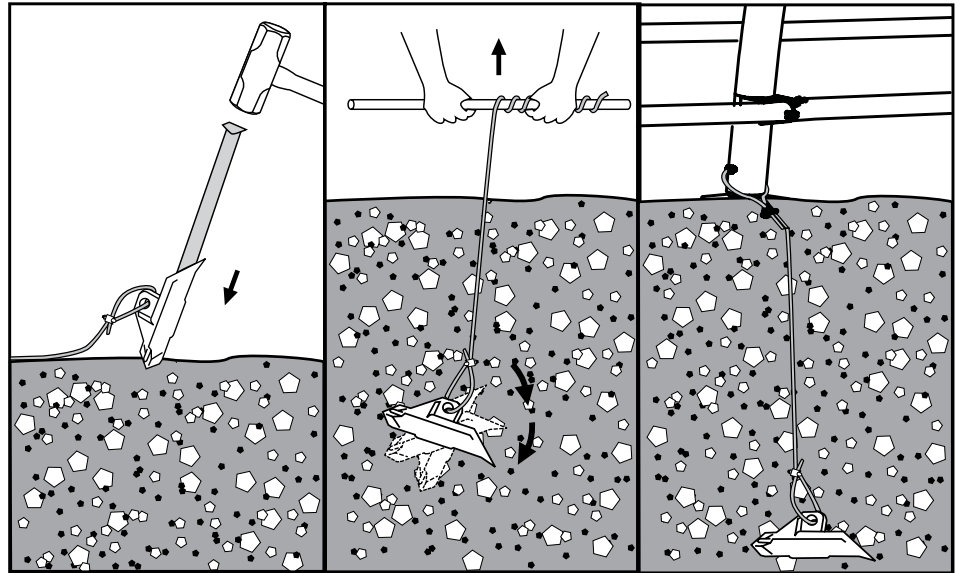
## 9. INSTALLEZ LES ANCRAGES EASY-HOOK

- A. Des ancrages doivent être placés aux quatre coins, puis le reste des ancrages doivent être espacés également des deux côtés de l'abri.
- B. En utilisant la tige d'acier fournie et une masse, enfoncez chaque ancrage dans le sol en laissant dépasser environ 8 po de câble au-dessus de la surface.
- C. Enroulez le câble sur la tige et tirez sur le câble pour placer l'ancrage.
- D. Après avoir bien installé les ancrages, enroulez le câble sur les pieds, puis fixez le câble à l'aide d'un serre-câble. Assurez-vous de bien tendre le câble.

*Si le sol est trop dur, creusez un trou à l'aide d'une pelle ou d'une bêche-tarière. Option : Remplissez le trou de ciment.*

**Pour de meilleurs résultats, ShelterLogic® recommande d'utiliser une Easy Hook<sup>MC</sup> soit un pour chaque pied de l'armature, afin d'obtenir une installation plus résistante et sécuritaire.**

Fig.9



**AVERTISSEMENT :** *Des blessures graves ou des dommages pourraient se produire si la toile est installée et laissée sans surveillance alors que le montage de l'abri n'est pas encore terminé. L'abri doit être ancré adéquatement durant le processus de montage.*

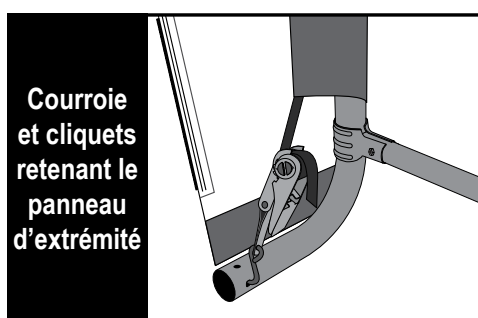
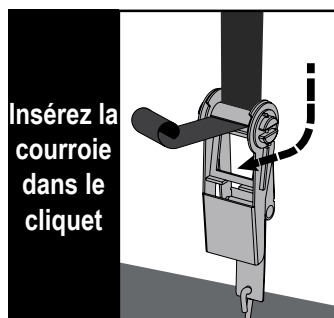
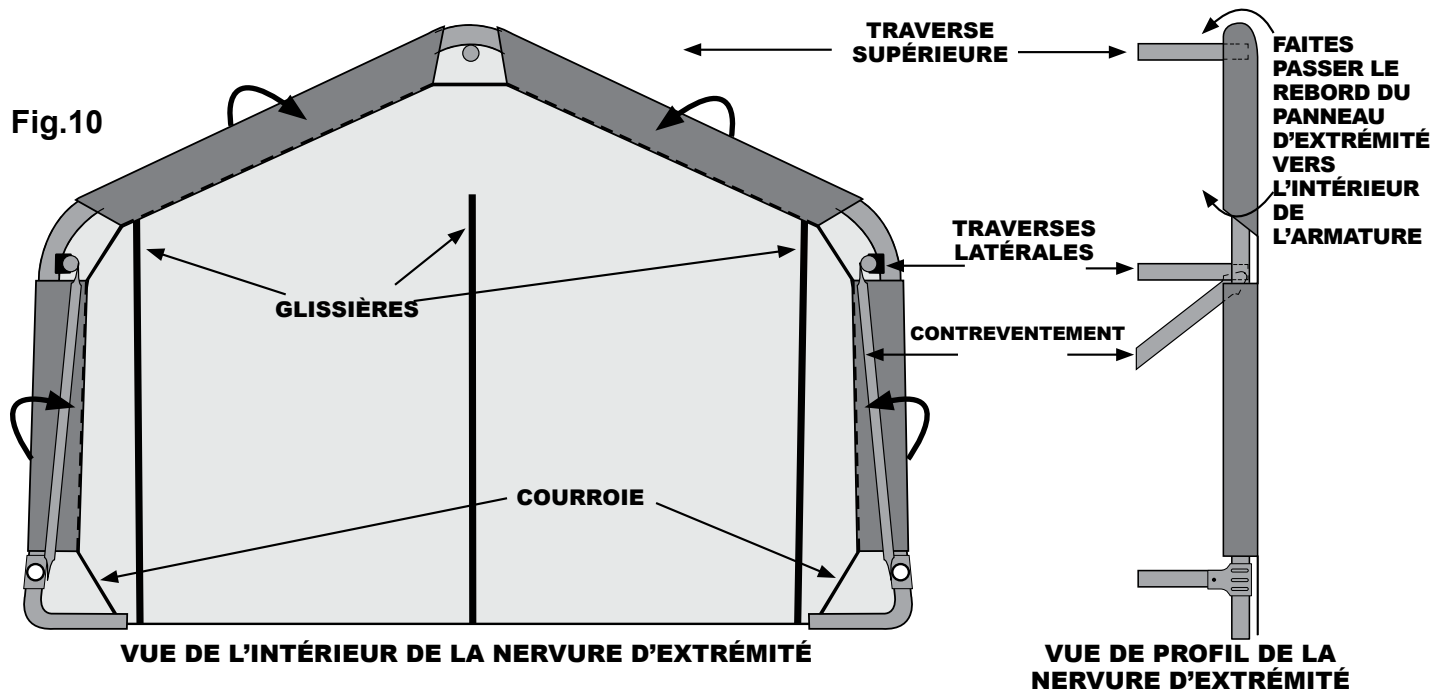
## 10. INSTALLEZ LE PANNEAU D'EXTRÉMITÉ ET LE PANNEAU DE PORTE

- A. Placez le panneau d'extrémité au centre de la partie supérieure de l'abri en orientant la surface interne vers l'intérieur de l'abri (pour la toile blanche, la surface interne est pourvue de joints de soudure visibles au fourreau de la courroie). **Faites passer le rebord du panneau en tissu autour de la nervure d'extrémité.**
- B. Débranchez la traverse supérieure (tuyaux horizontaux allant de l'avant à l'arrière de la partie supérieure de l'abri) de la nervure d'extrémité. Faites passer la courroie (sangle noire) sous la traverse. Rebranchez la traverse supérieure à la nervure d'extrémité.
- C. Enlevez l'écrou de la traverse latérale et éloignez délicatement cette dernière de la pièce ShelterLock® (éloignez-la juste assez pour pouvoir faire passer la sangle dans le raccord). **Si ce raccord comporte le contreventement, enlevez l'extrémité de ce dernier avant de tirer sur la traverse latérale.** Remplacez la traverse et le contreventement. Resserrez l'écrou. Répétez cette étape de l'autre côté.
- D. Dans le bas, à l'endroit où la courroie dépasse du fourreau de chaque côté du panneau d'extrémité, tirez sur la courroie pour la tendre. **Lorsque vous tirez sur la courroie, faites attention pour ne pas la faire entrer dans le fourreau de l'autre côté.**
- E. Insérez le crochet en « S » de la bride à cliquet dans le trou pratiqué dans le montant recourbé. Insérez la courroie dans la bobine du cliquet et tirez sur la courroie. Actionnez le cliquet de sorte que la courroie se chevauche elle-même. **Centrez le panneau d'extrémité sur l'abri avant de le serrer définitivement.**
- F. Serrez les cliquets en alternant d'un côté à l'autre jusqu'à ce que le panneau d'extrémité soit bien centré et tendu.

**REMARQUE :** Laissez les glissières fermées pendant que vous serrez les panneaux d'extrémité.

**FAITES PASSER LE REBORD DU PANNEAU D'EXTRÉMITÉ PAR-DESSUS ET AUTOUR DU TUYAU VERS L'INTÉRIEUR DE L'ARMATURE.**

**IMPORTANT!** N'INSÉREZ AUCUN TUYAU DANS CES FOURREAUX.



## 11. INSTALLEZ LA TOILE SUR L'ARMATURE

PANNEAUX  
D'EXTREMITÉ  
NON ILLUSTRÉS

**A.** Étalez la toile sur le sol à côté de l'armature en plaçant l'intérieur de la toile (côté avec les fourreaux pour tuyaux) vers le bas et les courroies avant et arrière vers les coins de l'abri. Centrez la toile entre l'avant et l'arrière de l'armature (fig. 11A).

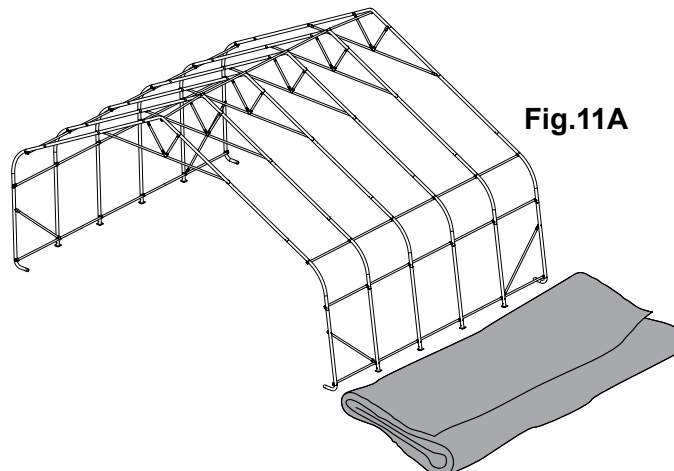


Fig.11A

**B.** Repliez le côté le plus proche de l'armature, de sorte que le fourreau pour tuyau soit accessible. Insérez un tuyau de toile à la première nervure centrale à partir de l'avant et à la première nervure centrale à partir de l'arrière, de sorte que les deux extrémités du tuyau soient insérées dans le fourreau et que le centre du tuyau soit exposé. Pour un abri allongé, il pourrait s'avérer nécessaire d'utiliser des tuyaux additionnels au centre (fig. 11B).

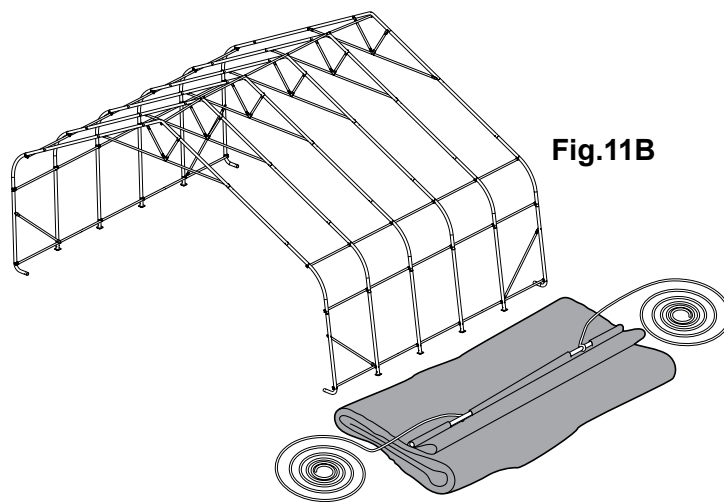


Fig.11B

**C.** Fixez une corde à chaque tuyau exposé, puis lancez l'autre extrémité de chaque corde par-dessus l'armature (fig. 11C).

**D.** Allez de l'autre côté de l'armature et placez la toile sur l'armature en tirant sur les cordes. Cette opération peut nécessiter deux personnes ou plus (fig. 11D).

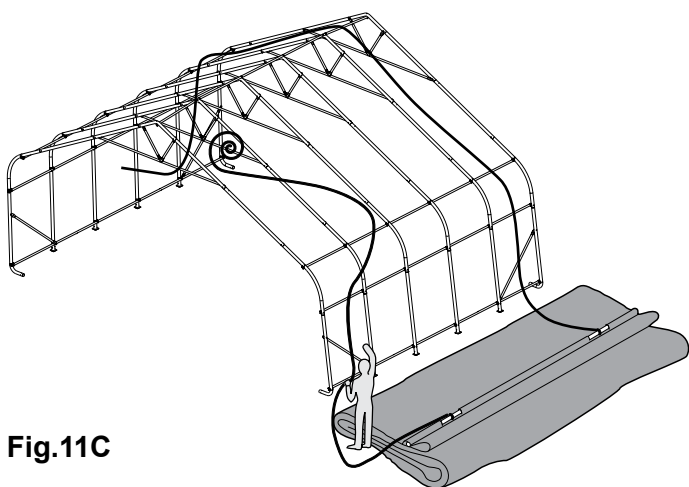


Fig.11C

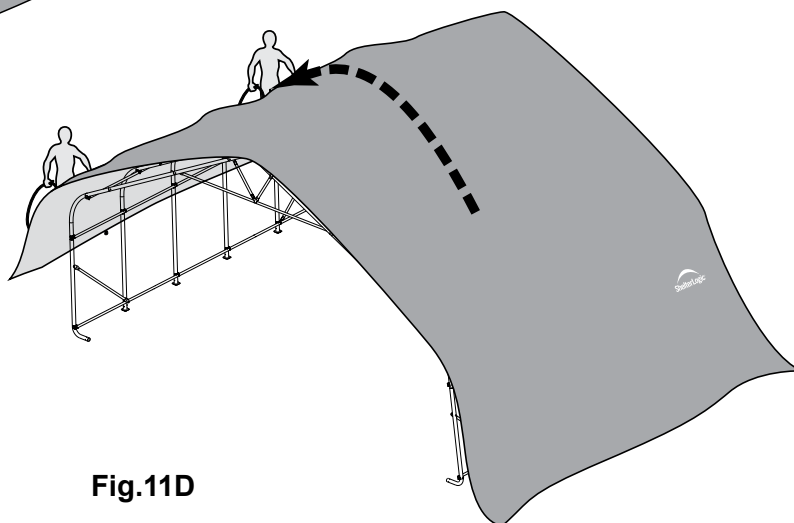


Fig.11D

### REMARQUE : ASSUREZ-VOUS QUE LA TOILE EST PLACÉE CORRECTEMENT SUR L'ARMATURE.

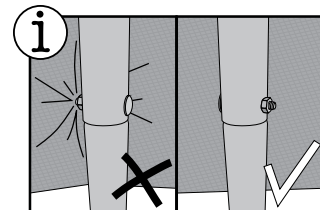
Le logo ShelterLogic® doit être aligné avec les coins avant gauche et arrière droit près du rail supérieur. Si le logo n'est pas bien visible, la toile n'est pas placée correctement sur l'armature.

## 11. INSTALLEZ LA TOILE SUR L'ARMATURE (suite)

E. Une fois la toile centrée sur l'armature, insérez un rail de toile (11105) dans chaque fourreau à l'intérieur de la toile, au plafond.

F. Utilisez les brides à 3 voies (11106) et à 4 voies (11107) pour les fixer aux nervures. Serrez les boulons (11130) à la main. Voir la Figure 11F.

**REMARQUE :** Pour éviter d'endommager la toile, orientez la tête des boulons vers la toile.



G. En utilisant les rails de toile, tirez la partie supérieure de la toile vers le bas et vers l'extérieur à partir du centre, puis serrez les boulons.

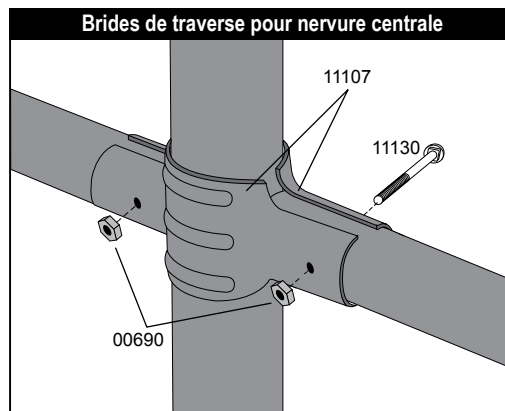
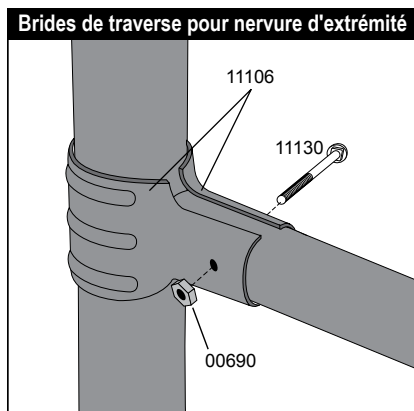
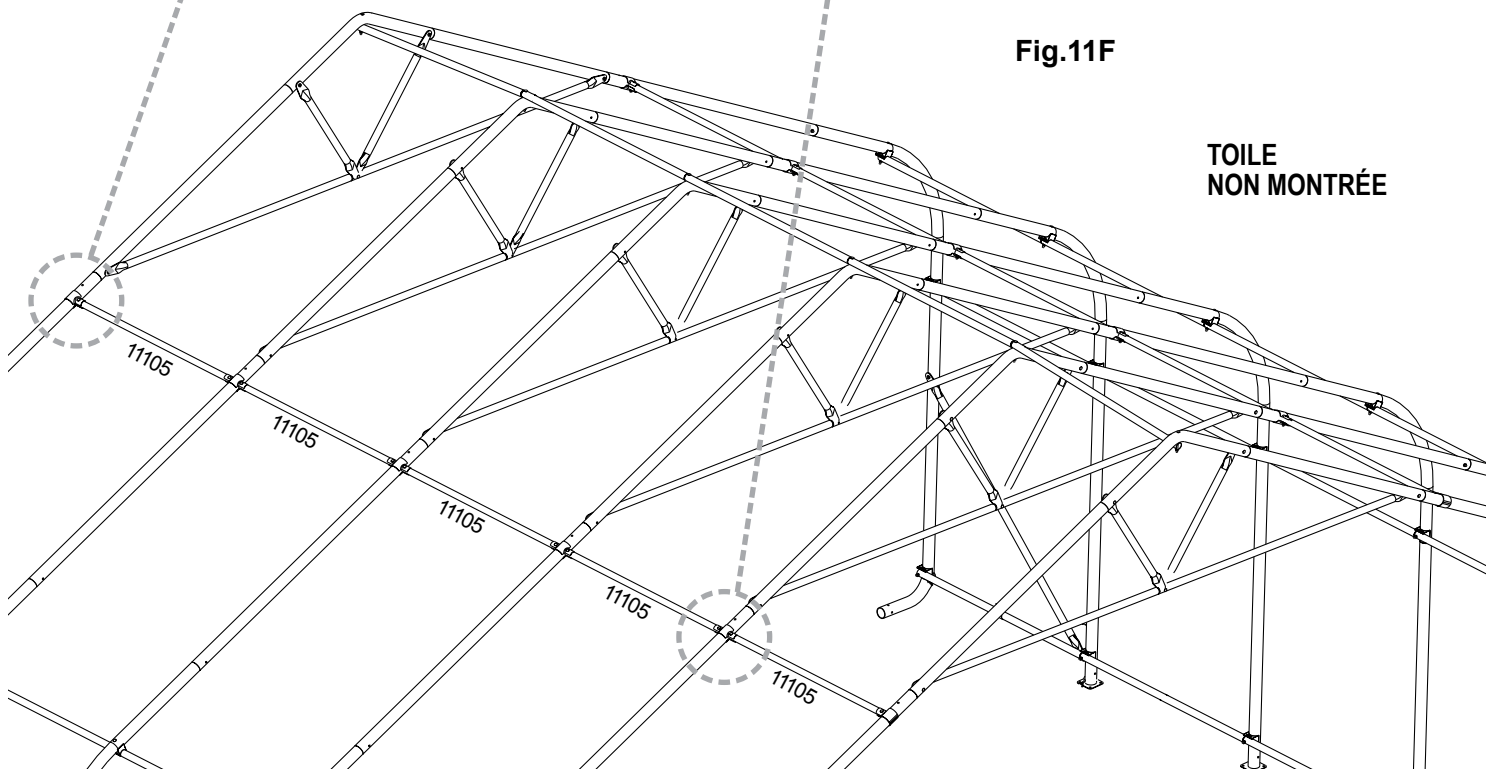


Fig.11F



## 11. INSTALLEZ LA TOILE SUR L'ARMATURE (suite)

H. Dans les coins, insérez le crochet en « S » de la bride à cliquet dans le trou pratiqué dans le montant recourbé. Insérez la courroie dans la bobine du cliquet et tirez sur la courroie. Actionnez le cliquet de sorte que la courroie se chevauche elle-même. Voir la Figure 11G.

I. Répétez ces étapes de l'autre côté, puis à l'arrière de l'abri.

J. Centrez la toile entre l'avant et l'arrière de l'abri. Installez les rails de toile inférieurs (802051 et 802050) en les insérant dans les fourreaux de chaque côté de la toile. Une ouverture permet de faire passer la courroie autour du rail de toile et du rail de base pour fixer la toile. Serrez la courroie avec le cliquet comme le montre la Figure 11J.

K. Serrez tous les cliquets en suivant un motif en « X » pour assurer l'uniformité du serrage.

Fig.11G

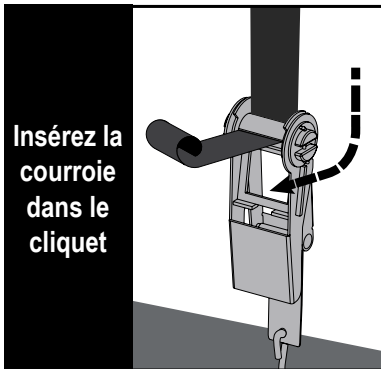
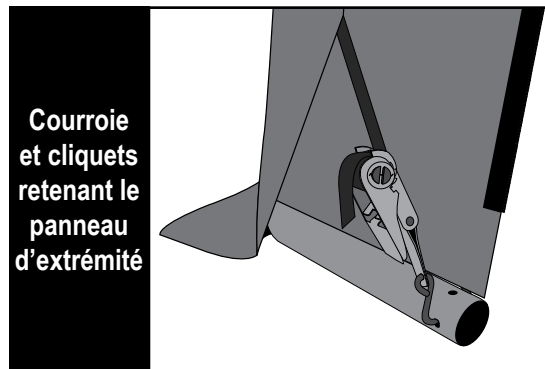
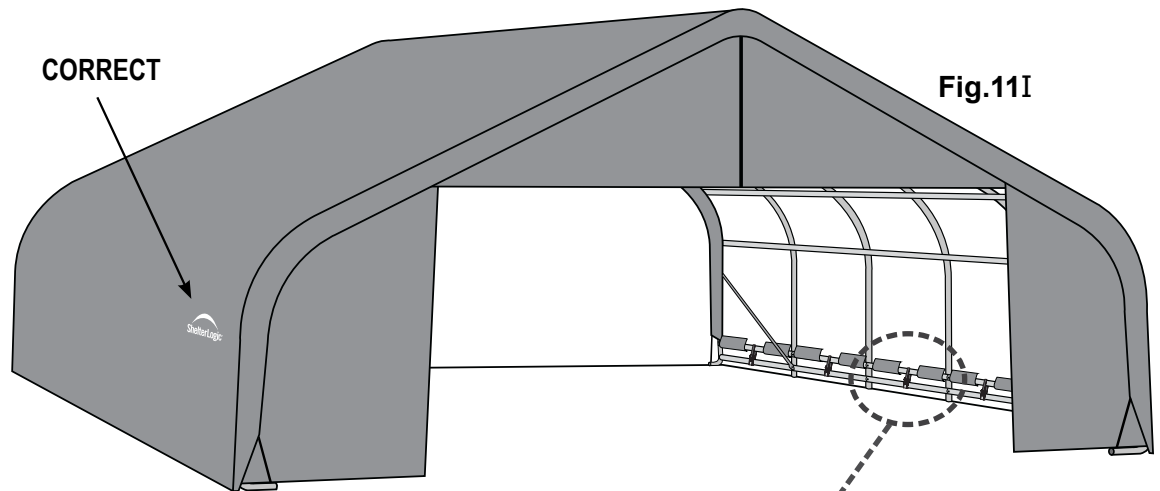
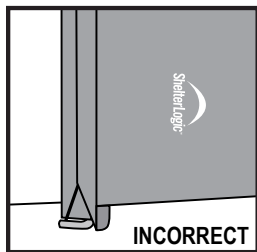


Fig.11H



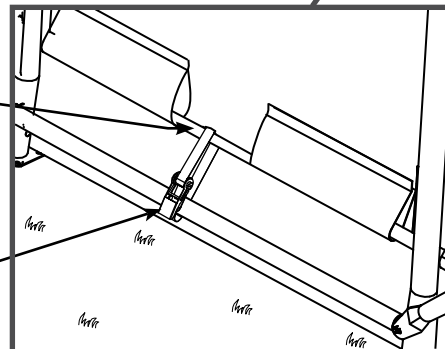
### REMARQUE : ASSUREZ-VOUS QUE LA TOILE EST PLACÉE CORRECTEMENT SUR L'ARMATURE.

Le logo ShelterLogic® doit être aligné avec les coins avant gauche et arrière droit. Si le logo n'est pas bien visible, la toile n'est pas placée correctement sur l'armature..



RAIL DE TOILE ASSEMBLÉ

Fig.11J



SERREZ LA TOILE AVEC LES CLIQUETS À PARTIR D'UNE EXTRÉMITÉ JUSQU'À L'EXTRÉMITÉ OPPOSÉE DES DEUX CÔTÉS.

#### Conseil de serrage pour la toile

Vérifiez les cliquets et les traverses chaque mois et serrez-les au besoin pour vous assurer que la toile est bien tendue.