

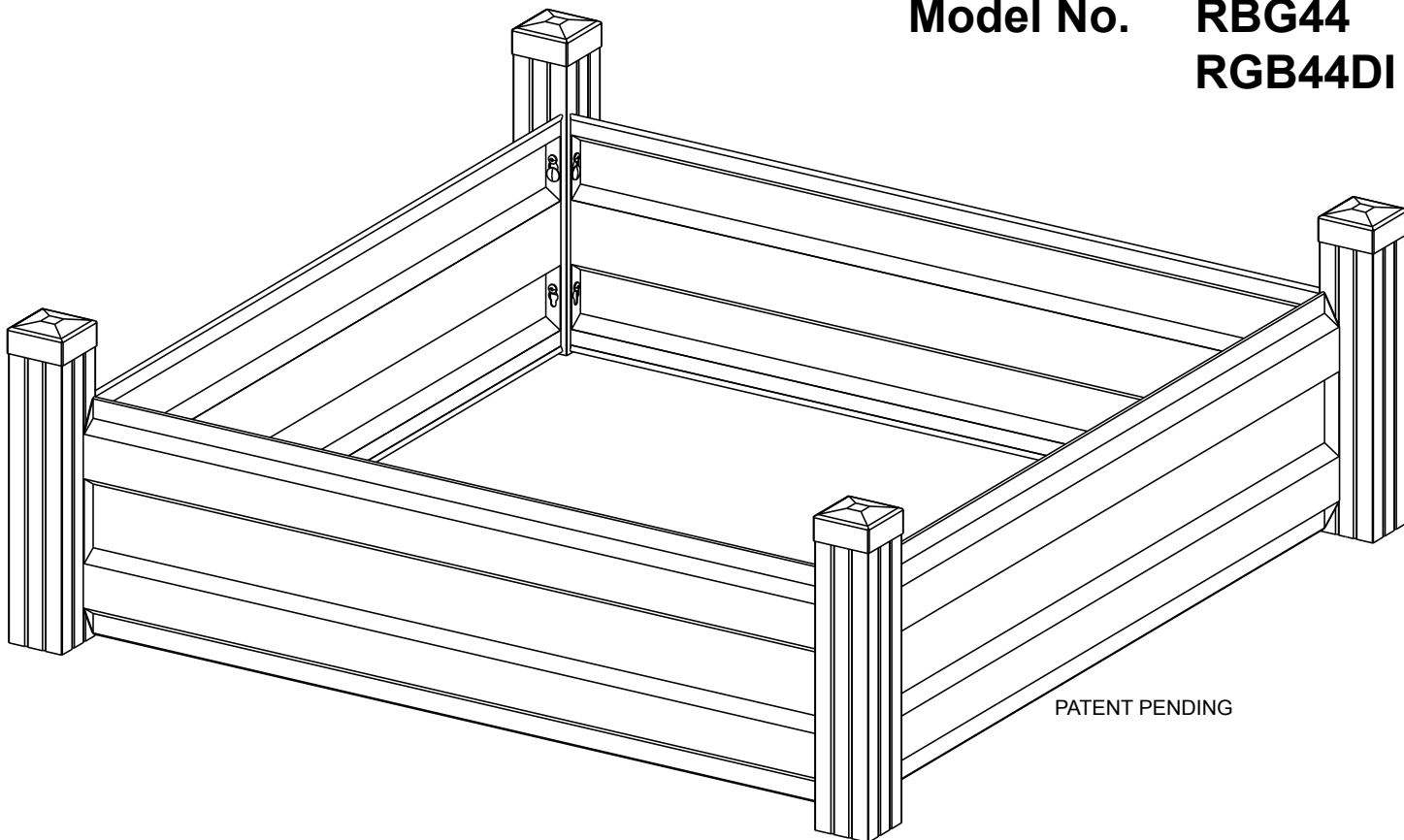
719820814

Owner's Manual & Assembly Guide



www.arrowsheds.com

RAISED BED GARDEN
Model No. RBG44
RGB44DI



PATENT PENDING

Customer Service:
1-800-851-1085 or
assist@arrowsheds.com

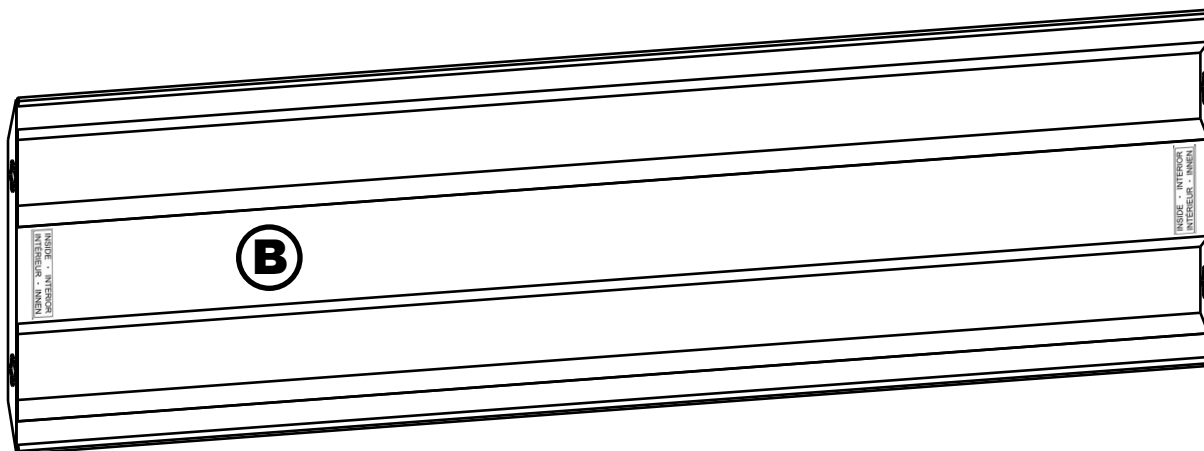
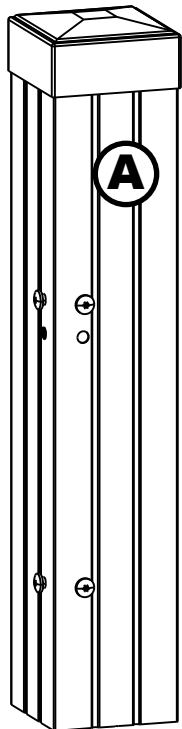


UNIT DIMENSIONS

| Capacity | | Exterior Dimensions (Post Edge to Post Edge) | | | Interior Dimensions (Panel to Panel) | | |
|--------------------|--------------------|---|----------|--------|---|----------|---------|
| | | Width | Depth | Height | Width | Depth | Height |
| 13 Sq. Ft. | 13 Cu. Ft. | 48" | 48" | 16" | 42 3/4" | 42 3/4" | 12 1/4" |
| 1,2 m ² | 0,4 m ³ | 121,9 cm | 121,9 cm | 40,6cm | 108,6 cm | 108,6 cm | 31,1 cm |

PARTS LIST...

| Part No. | Part Description | Qty. | ✓ List |
|----------|------------------|------|-----------|
| A | Corner Post | 4 | |
| B | Side Panel | 4 | |
| C | Plastic Fastener | 8 | |



Confirm that all hardware and parts are present before attempting to assemble your Raised Bed Garden.

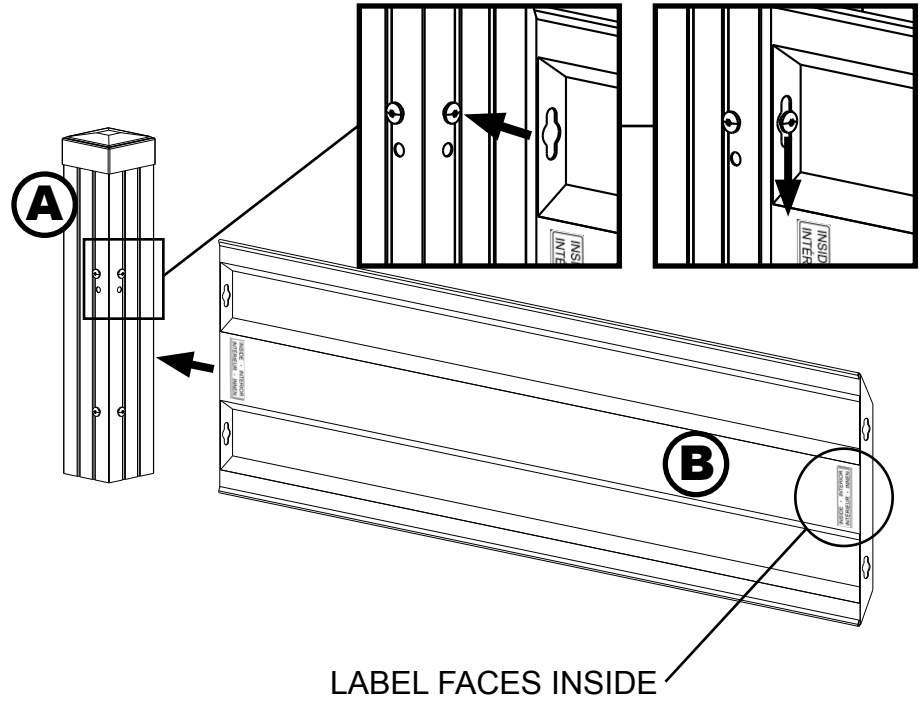
For missing or damaged parts contact Customer Service. Do not return to store.

Customer Service:

1-800-851-1085 or assist@arrowsheds.com

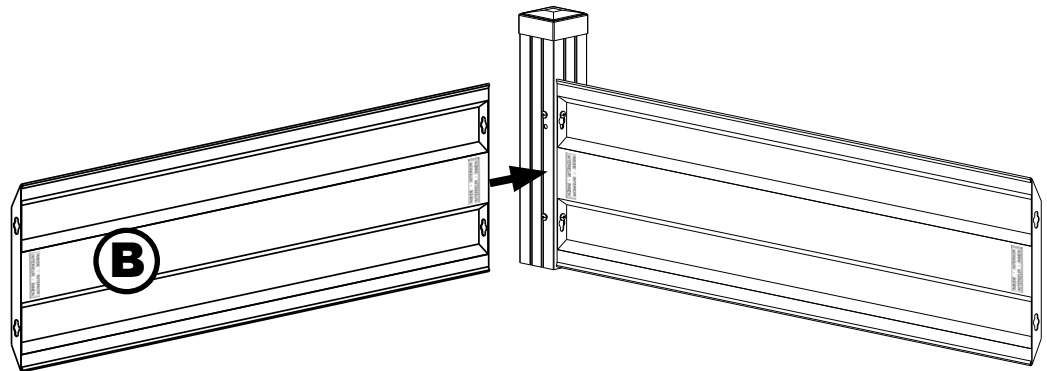
Step: 1

Assemble Side Panel (B) to Corner Post (A), aligning two (2) fastener heads and keyholes. Push down to secure Panel.



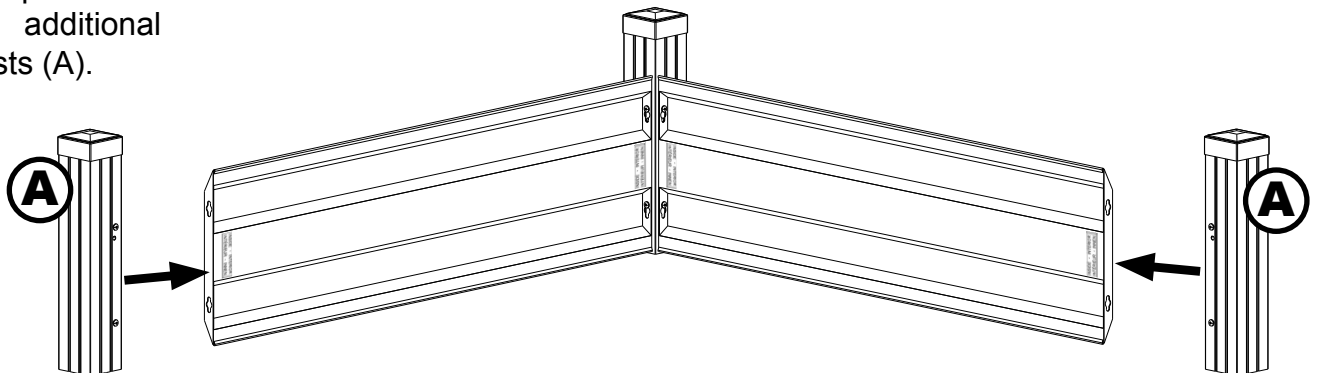
Step: 2

Repeat Step 1 with second Side Panel (B).



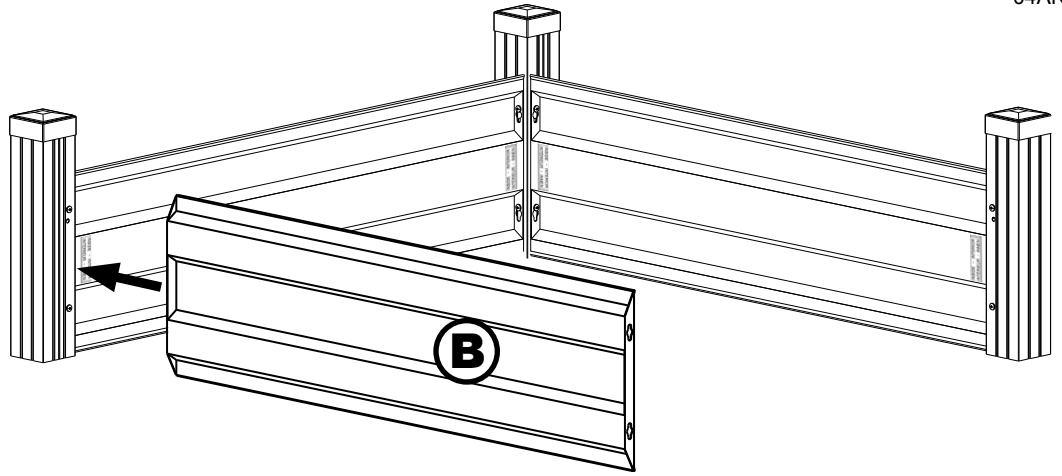
Step: 3

Repeat Step 1 with two (2) additional Corner Posts (A).

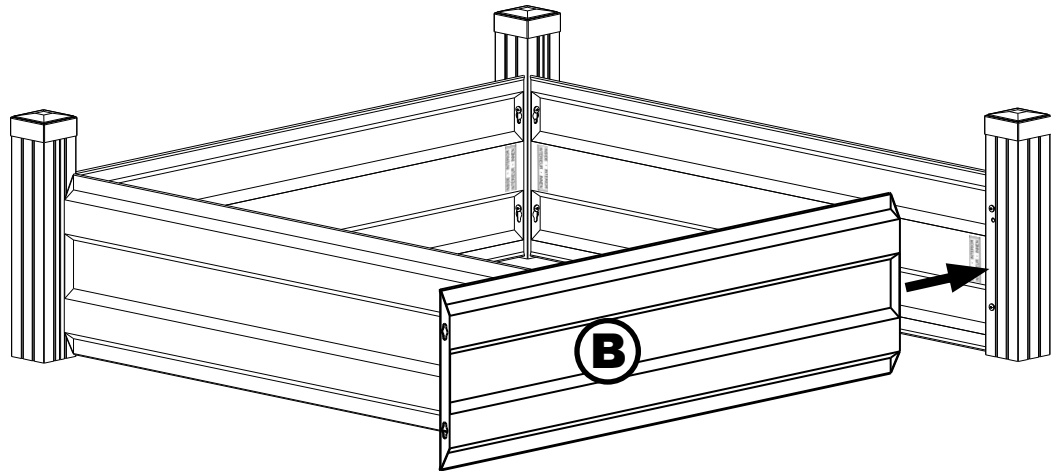


Step: 4

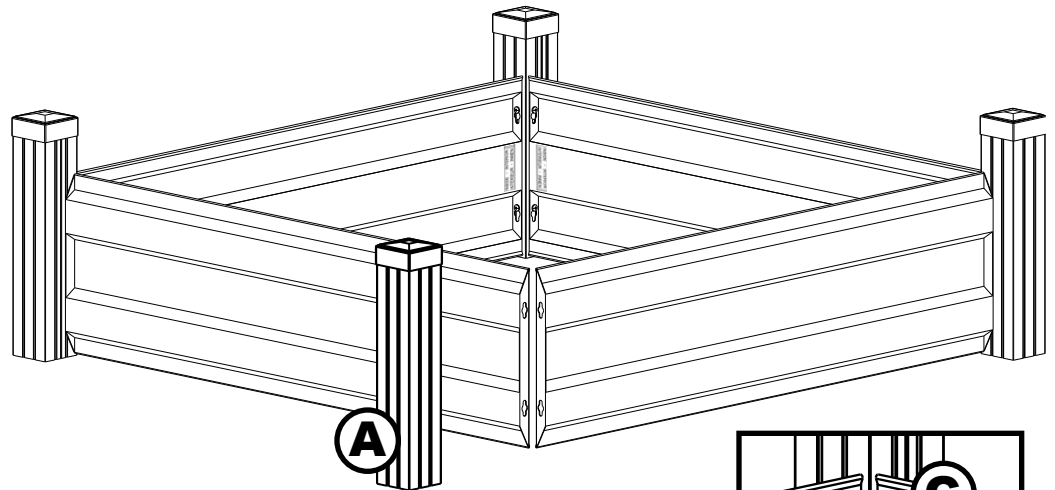
Repeat Step 1 with third Side Panel (B).

**Step: 5**

Repeat Step 1 with fourth Side Panel (B).

**Step: 6**

Repeat Step 1 with final Corner Post (A).

**Step: 7**

Secure Side Panels to Posts by inserting eight (8) Plastic Fasteners (C).

