

# Owner's Manual & Assembly Guide

**! caution**  
**sharp edges** \*

Gloves must be worn at all times to reduce risk of injury!



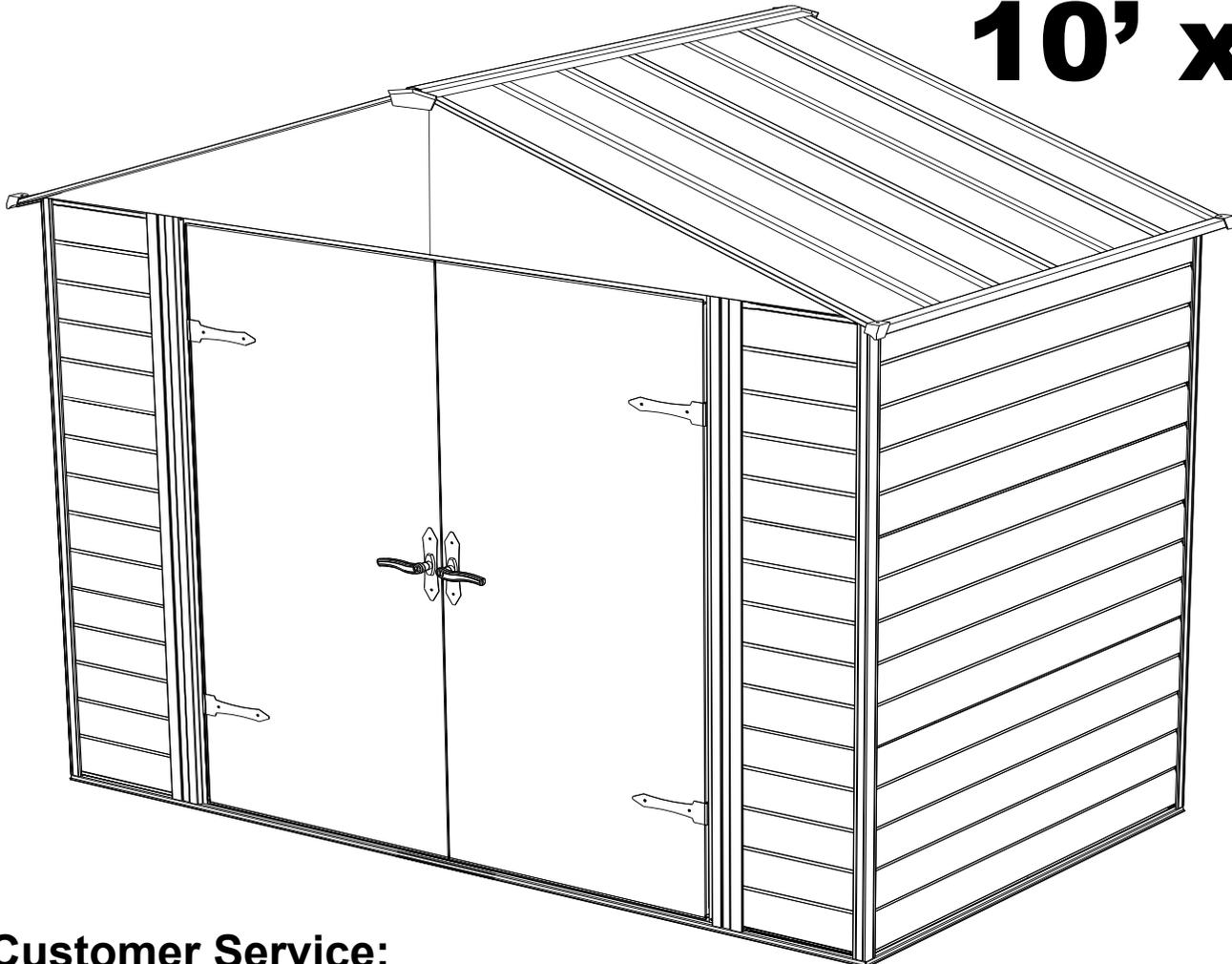

**INNOVATION UNDER COVER®**

www.arrowsheds.com

**Model No. VVCS107**

**10' x 7'**

Nominal Size



## Customer Service:

**1-800-851-1085** or  
**assist@arrowsheds.com**

<b>Base Size</b>	121" x 81" 307,3 cm x 205,7 cm
------------------	-----------------------------------

## BUILDING DIMENSIONS

†Size rounded off to the nearest foot

For proper base construction see page 12

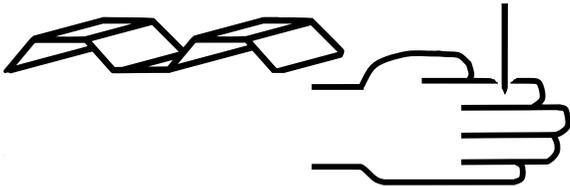
Approx.† Size	Storage Area		Exterior Dimensions (Roof Edge to Roof Edge)			Interior Dimensions (Wall to Wall)			Door Opening	
			Width	Depth	Height	Width	Depth	Height	Width	Height
10' x 7'	64 Sq. Ft.	432 Cu. Ft.	123 1/4"	83 1/2"	90 5/8"	118 1/4"	78 1/4"	89 3/8"	59 1/2"	69 1/4"
3,0 m x 2,0 m	6,0 m <sup>2</sup>	12,2 m <sup>3</sup>	313,1 cm	212,1 cm	230,2 cm	300,4 cm	198,8 cm	227,0 cm	151,1 cm	175,9 cm

\* See Inside for Detailed Safety Information.

# SAFETY PRECAUTIONS...

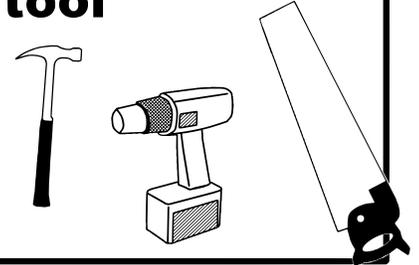
*Safety precautions MUST be followed at all times throughout the construction of your building!*

## sharp edges



Care must be taken when handling various pieces of your building since many contain sharp edges. Please wear work gloves, eye protection and long sleeves when assembling or performing any maintenance on your building.

## always practice proper tool safety



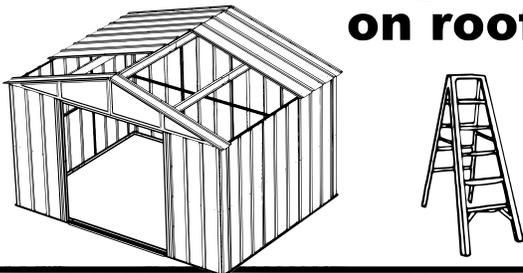
Practice caution with the tools being used in the assembly of this building. Be especially familiar with the operation of all power tools.

## no children or pets at worksite



Keep children and pets away from the worksite during construction and until the building is completely assembled. This will help avoid distractions and any accidents which may occur.

## don't focus weight on roof



NEVER concentrate your weight on the roof of the building. When using a step ladder make sure that it is fully open and on even ground before climbing on it.

## beware of wind



Do NOT attempt to assemble your building on a windy day. The large panels can catch the wind like a "sail", causing them to be whipped around making construction difficult and unsafe.

Do NOT attempt to assemble your building before double checking that you have all the parts indicated on the parts list (page 8) as well as all hardware (page 7). Any building left partially assembled may be seriously damaged by even light winds.

## IMPORTANT NOTE ON ANCHORING

- Your building MUST be anchored to prevent wind damage. An anchoring kit is not supplied with your building and you have many options when it comes to anchoring. See anchoring page for more info.
- You must also have a temporary anchoring system in place in case you need to take a break from assembly. See page 4 for more info.

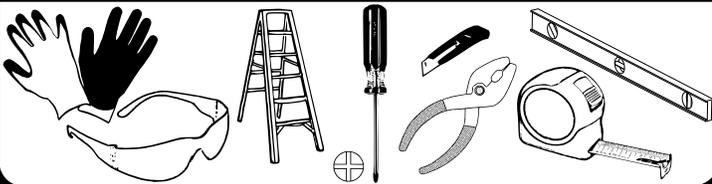
# ASSEMBLY TIPS & TOOLS

**Watch the Weather Closely:** Be sure the day you choose to install your building is dry and calm. Do **NOT** attempt to assemble your building on a windy day. Be careful on wet or muddy ground.

**Use Teamwork:** Two or more people are required to assemble your building. One person can hold the parts or panels in place while the other person fastens them together and handles the tools. This makes the process of assembling your building faster and safer.

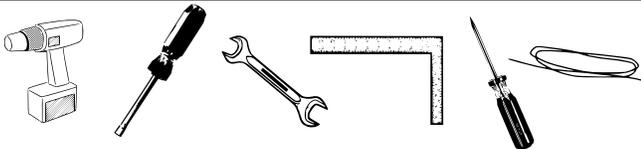
**Tools and Materials:** Here is a list of some basic tools and materials you will need to assemble your building. Decide which method of anchoring and the type of base you will use to make a complete list of the materials you will need.

## WHAT YOU NEED



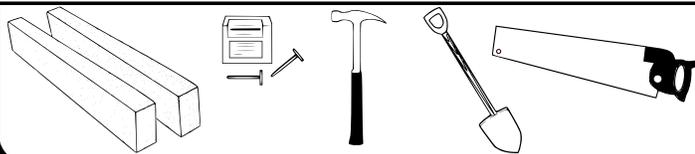
- Work Gloves
- Safety Glasses
- Step Ladder
- No. 2 Phillips Screwdriver (Magnetic Tip Preferred)
- Utility Knife or Scissors
- Pliers
- Carpenter's Level
- Tape Measure

## RECOMMENDED TIME SAVERS



- Power Drill (Cordless, Variable Speed)
- Nut Driver or Wrench
- Square
- String (for squaring the frame)
- Awl (to align holes)

## BASE PREPARATION TOOLS



- Lumber and/or Concrete
- Hammer and Nails
- Spade or Shovel
- Hand Saw or Power Saw

**How to Select and Prepare Your Building Site:** Before you start to assemble your building, you will want to decide on a good location. The best location is a level area with good drainage.

- Allow enough working space so it is not difficult to move parts into position for assembly. Be sure there will be enough space at the entrance for the doors to completely open. Also, there needs to be enough space outside the building to be able to fasten the panel screws from the outside.
- Before assembling any parts, your base should be constructed and an anchoring system should be ready to use.

# FREQUENTLY ASKED QUESTIONS

**Q.** How long will it take to assemble the building?

**A.** Assembly time depends on a variety of factors, including roof design, tools available, DIY skill and the pace at which you work. Guidelines for each shed assembly are approximate AFTER completion of the base, and assume two or more people working on the assembly. Generally, you should plan on at least one day working with someone who can assist you; again, after constructing the base. Refer to the clock icons on each product page on the website for specific time estimates.

**Q.** How do I decide where to put my shed?

**A.** The key to a successful assembly is to make sure the shed will be square and level when built. The shed can be assembled directly onto level ground (grass or dirt). If you have location options, choose one that is already flat, with good drainage to control moisture. If you don't have a flat, well-drained area, you need to prepare the space. Level the area using cinder blocks, concrete, crushed gravel or other sturdy materials. Once level with good drainage, construct your base. Using a carpenter's level, make sure your base is level and free of bumps or ridges to provide good support for your building.

**Q.** What if I can't finish my building in one session?

**A.** If weather conditions change so that it becomes windy or rainy, it is recommended that you stop assembly until conditions improve. This is for your safety and for protection of the shed panels. However, do not leave your unfinished construction without first temporarily anchoring the corners of the shed to your base and placing weights, such as patio blocks or sandbags, on the floor frame. Failure to anchor the building if you leave it while partially assembled could result in irreparable damage or personal injury if the building collapses.

**Note:** Most instruction manuals provide a warning note at the beginning of the installation step for corner panels, stating that the remainder of the building assembly requires multiple hours and more than one person. Do not continue beyond this point if you do not have enough time or help to complete the assembly that day. A partially assembled building can be severely damaged by even light winds.

**Q.** Do I need to anchor my building?

**A.** Yes! Fully assembled buildings should be anchored using a permanent anchoring system. If you need to leave your building before it is completely assembled, you will need to temporarily anchor the corners of the shed to your base, and place weights, such as patio blocks or sandbags, on top of the floor frame.

**Q.** How do I temporarily anchor my building before it's fully assembled?

**A.** An incomplete building must be anchored before breaking for any period of time to prevent possible damage.

- If the building is on a wood base, secure the frame with wood screws in the corners
- If the building is on a concrete base, temporarily anchor the frame in the corners
- Use patio blocks or sandbags on top of the floor frame as weights
- Secure the floor frame to the ground with ground augers or rope the frame in the corners to the ground

**Q.** How do I control condensation and prevent water from leaking in?

**A.** To minimize condensation, install a continuous, unbroken plastic vapor barrier with a thickness of 6 mil. between exposed ground surface and the building's base. Make sure that all weather stripping and washers are used throughout the assembly process. Make sure that the weather-stripping tape adheres to the panels when installing it along the main ridge beam. Do not stretch it. Apply it directly off the roll onto clean panels. Ensure that all washers are flush with the panels and do not over-tighten screws, as this can crack the washers. Silicone caulking may be used to create watertight seals at the washers and throughout the building.

**Q.** What kind of base do I use?

**A.** You can:

- Use an Arrow Base Kit
- Pour a concrete slab
- Build a wood deck/floor (use exterior-grade plywood)
- Use patio blocks
- Build on crushed gravel, dirt or grass

Arrow provides a base kit accessory that is an option for most building sizes. If you are building a wood deck/floor, an Arrow floor frame kit on top of your deck/floor assembles in minutes and provides a floor frame suitable for a 5/8" exterior-grade plywood floor (not included). A continuous unbroken plastic vapor barrier with a thickness of 6 mil. between the ground and the building's base is also recommended.

**Q.** How should I measure for my base?

**A.** Shed dimensions are provided in "nominal" size. Nominal sizes are roof-edge measurements rounded to the nearest foot and are not the measurements to use for constructing the shed base. So, carefully check the exact, recommended base size in the specifications for your shed model.

**Q.** How do I align the holes in the wall panels with the holes in the floor frame?

**A.** Make sure that the shed is level and square, with the correct floor frame size, and that the corner panels are installed correctly. Line up the large hole in the panel with the small holes in the floor frame. An awl can be used to help align the holes.

**Q.** How do I align the holes in the roof panels with the holes in the roof beam and side wall angles?

**A.** Your building must be level and square in order for the holes to align. It must be square at both the top and bottom. Check that the building is square by measuring diagonally. The two diagonal measurements will be equal. If your building is out of square, carefully rock and push the shed until it is square. Also, try loosening the roof beams to give more play and flexibility. Non-alignment can also occur if your building is not level. You can raise corners and shim under them to make it level. Check that the panels are installed in the proper location. The building should not be permanently anchored until the complete unit is assembled; otherwise, you will not be able to make adjustments for squareness during assembly. Do not attach the bottom of the roof panels to the side wall angles until all the roof panels are up.

**Note:** If you have to stop assembly for any reason before it is complete, do not leave your unfinished construction without first temporarily anchoring the corners of the shed to your base and placing weights, such as patio blocks or sandbags, on the floor frame.

**Q.** How do I ensure that the sliding doors on the building will hang level?

**A.** Make sure that the door track has been correctly installed, with the long leg on top and the short leg on the bottom. Check that the door slides are straddling the upper and lower legs of the door track assembly, putting the door slide only halfway in the track. Also, the rounded end of the door slide should be at the bottom and the square end at the top.

**Q.** What kind of customer support is available?

**A.** Our instruction manuals contain step-by-step assembly illustrations and guide you from preparation through assembly to care and maintenance of your finished building. Each part is marked with a factory number for easy identification. In addition, our assembly animation (located under the Customer Support menu on the website) provides helpful tips. But if you need to reach someone at Arrow, you can contact Arrow Customer Service, toll free, at 1-800-851-1085 (press 1) or via e-mail at [assist@arrowsheds.com](mailto:assist@arrowsheds.com). Have your model number and instruction manual with you when you call.

**Q.** What if the rear wall angle and channels are too large to fit inside of the rear wall panels?

**A.** Check the dimensions of wall assemblies. They should be slightly smaller than the floor frames. Lay the assemblies on top of the rear floor frame and pull them up to the top of the wall panels causing the corner panels to stand erect and not lean inward. Caution: Be careful to not scratch the panels on the way up.

**Q.** The wide rib always overlaps the crimped rib. Is there ever an exception?

**A.** This sequence is to be followed through the assembly process. However, this will typically happen once on the rear and once on each side wall (vertical wall units only) where there will be either two crimped ribs overlapping or two wide ribs overlapping. This may give it a tighter fit, but it will work.

**Q.** Can the building be painted?

**A.** The buildings can be painted with an exterior-grade paint designed for use on steel. Contact your local paint supplier for recommendations.

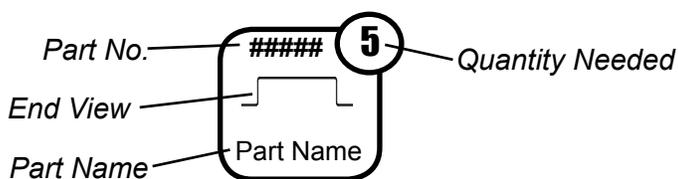
**Q.** I heard that rust might be an issue with steel; is it?

**A.** While steel can rust, with proper care this should not be an issue. For a long-lasting finish, periodically clean the exterior surface and apply spray-on car wax. Touch up scratches as soon as you notice them by immediately cleaning the area with a wire brush or emery paper, washing it and applying touch-up paint. This will minimize rust and maintain your shed's attractive appearance for years.

**Q.** How do I take care of dents in my shed?

**A.** Proper selection of shed size, including a sufficient door-opening width, and proper placement of your shed should minimize the possibility of damage. If a dent does occur, carefully push the dent out from the opposite side. If the paint has been scratched or removed, touch up the area as soon as you notice it. Immediately clean the area with a wire brush or emery paper, wash it and apply touch-up paint. This will minimize rust and maintain your shed's attractive appearance for years.

**Still have questions? Visit us online at [www.arrowsheds.com](http://www.arrowsheds.com) to view lots of helpful tips and information regarding all of our available products. You can also contact our Customer Service team at 1-800-851-1085 (press 1), or via e-mail at [assist@arrowsheds.com](mailto:assist@arrowsheds.com).**



At the top of each page you will see one or more **Part Cues** like the one to the left. These **Part Cues** are designed to help you quickly identify the parts needed for each step.

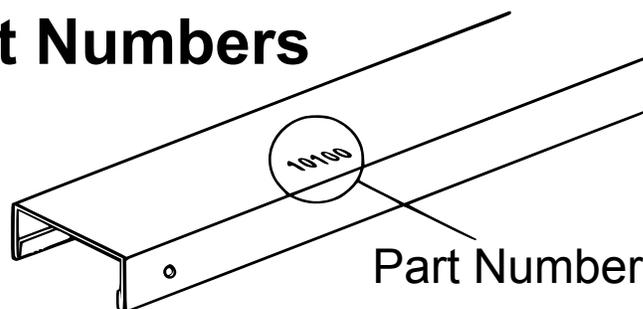
**Confirm that all hardware and parts are present before attempting to assemble your building.**

For missing or damaged parts contact Customer Service. Do not return to store.

**Customer Service:**

**1-800-851-1085** or  
**[assist@arrowsheds.com](mailto:assist@arrowsheds.com)**

## Part Numbers



1. Each part has an identifying part number on it.
2. Part Numbers are referenced in each step.
3. Unpainted parts have a stamped in number and painted parts have a number that is inked on.

**Remove inked on numbers with soap and water after assembly.**

# HARDWARE LIST...

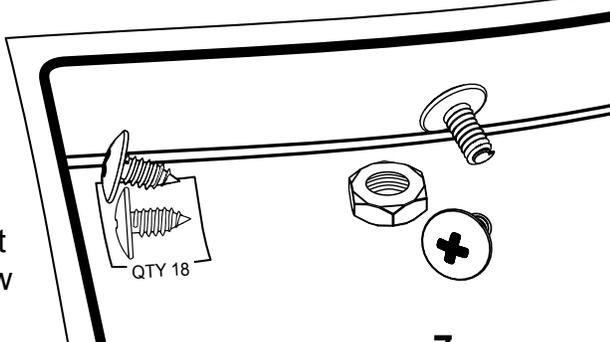
Key No.	Part No.	Part Description	Qty.	✓ List
1	65103	Hex Nut (#8-32)	156	
2	65923-61	Small Bolt (Stone) (#8-32 x 3/8) (10 mm)	80	
3	65923-62	Small Bolt (Vanilla) (#8-32 x 3/8) (10 mm)	40	
4	65923-06	Small Bolt (Black) (#8-32 x 3/8) (10 mm)	12	
5	65004-61	Small Screw (Stone) (#8AB x 5/16) (8 mm)	384	
6	65004-62	Small Screw (Vanilla) (#8AB x 5/16) (8 mm)	66	
7	65958	Long Bolt (#8-32 x 7/8) (22 mm)	4	
8	66783	Flat Head Bolt (#8-32 X 1/2) (13 mm)	24	
9	66692	Tapping Screw (#10ABx1) (25 mm)	2	
10	66646	Washer Sheet	7	
11	66809	Locking Handle Right	1	
12	66054	Latch	1	
13	66609	Hinge	4	
14	66183L	Left Roof Trim Cap	2	
15	66183R	Right Roof Trim Cap	2	
16	67545	Weather Stripping	1	
17	67468	Peak Cap	2	
18	67236	Adhesive Pads (2 per sheet)	1	
19	66684	Top Latch Spring	1	
20	66808	Bottom Latch Spring	1	
21	66810	Left Handle	1	
22	66811	Handle Backplate	2	
23	66812	Hinge Plate Decoration	4	
24	6228	Track Support	2	

### Hardware Views by Key No.

Various fasteners are used throughout the construction of your storage unit. In each step you will see the abbreviations listed below used in the illustrations to help you identify which fastener to use.

The fasteners used in each step are shown actual size at the top of each page. If you are unsure which fastener to use, hold it up to the picture and use the one that matches.

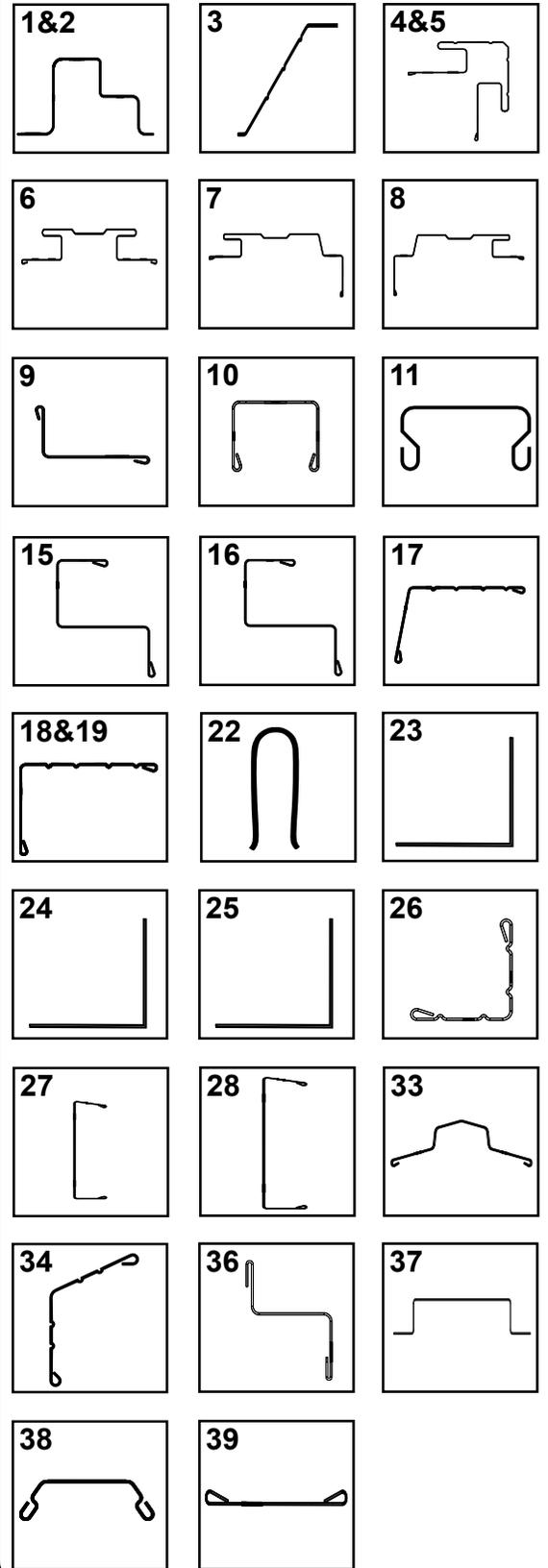
- SB** - Stone Bolt
- VB** - Vanilla Bolt
- BB** - Black Bolt
- SS** - Stone Screw
- VS** - Vanilla Screw
- FB** - Flat Head Bolt
- TS** - Tapping Screw
- LNB** - Long Bolt



# PARTS LIST...

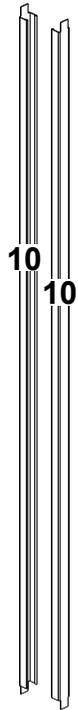
Key No.	Part No.	Part Description	Qty.	✓ List
1	10703	Front/Rear Floor Frame	4	
2	10784	Side Floor Frame	2	
3	10702	Ramp	1	
4	5284	Right Corner Post	2	
5	5285	Left Corner Post	2	
6	5287	Rear Splice Post	1	
7	10780	Right Door Jamb	1	
8	80069	Left Door Jamb	1	
9	10827	Door Jamb Angle	2	
10	9344	Siding Stud	24	
11	10834	Front Wall Channel	2	
12	8827	Front Siding	6	
13	10773	Side Siding	6	
14	10775	Rear Siding	6	
15	10707	Front Inner Header	1	
16	10708	Front Outer Header	2	
17	10779	Side Wall Angle	2	
18	9338	Right Rear Wall Angle	1	
19	9339	Left Rear Wall Angle	1	
20	9704	Right Gable	2	
21	9703	Left Gable	2	
22	69835	Edge Trim (Green)	4	
23	9496	Gable Brace	4	
24	6634	Gable Brace	4	
25	9009	Gable Brace	2	
26	9204	Roof Beam Brace	2	
27	10778	Roof Beam	8	
28	10777	Roof Beam	2	
29	10774	Right Roof Panel	2	
30	80067	Left Roof Panel	2	
31	10770	Skylight Panel	2	
32	10771	Roof Panel	2	
33	10786	Ridge Cap	1	
34	8364	Side Roof Trim	2	
35	10782	Door	2	
36	10718	Horizontal Door Brace	4	
37	10719	Door Handle Brace	2	
38	10720	Diagonal Door Brace	8	
39	10721	Door Stop	1	

## Selected End Views by Key No.

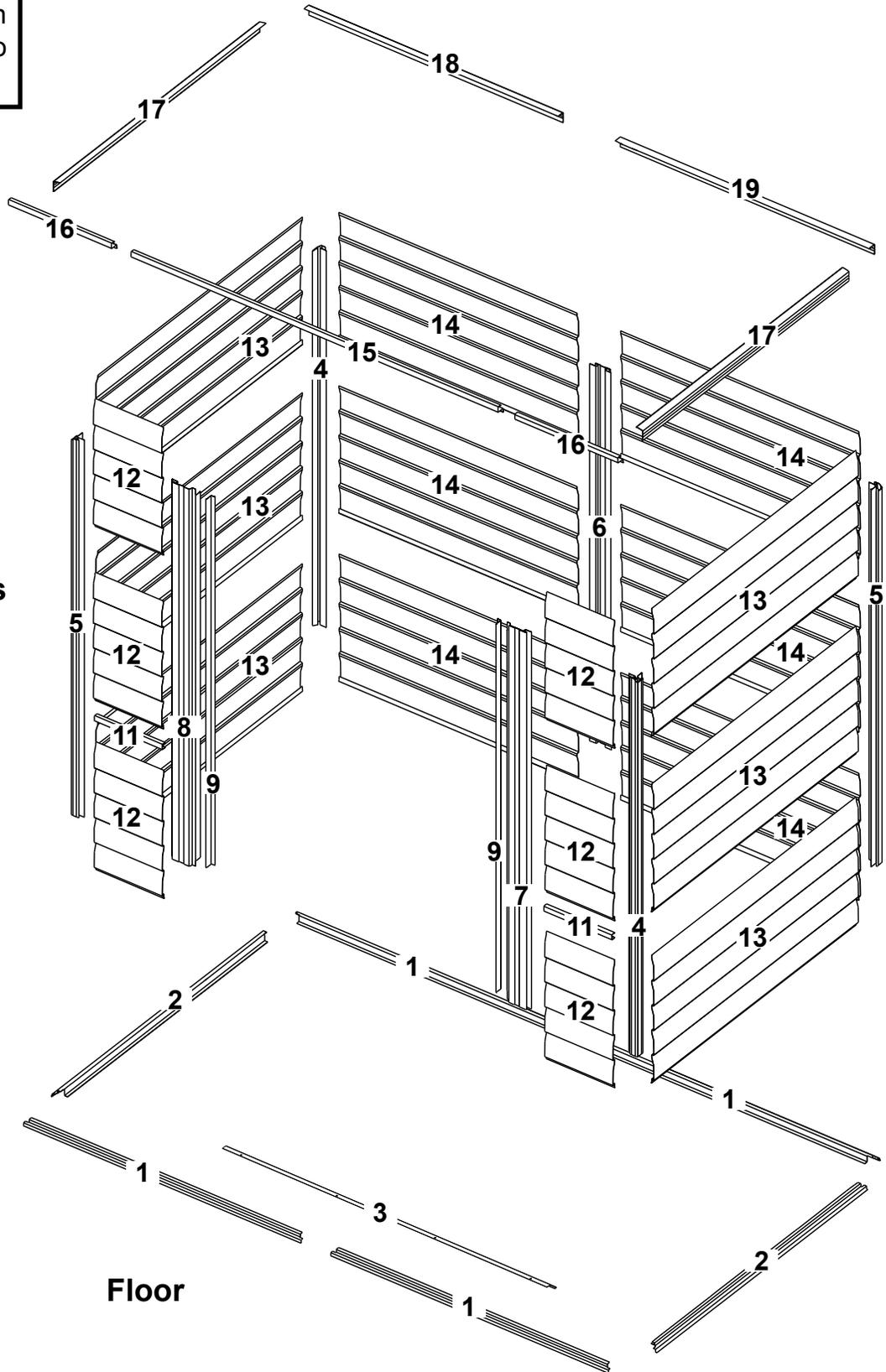


# ASSEMBLY BY KEY NO.

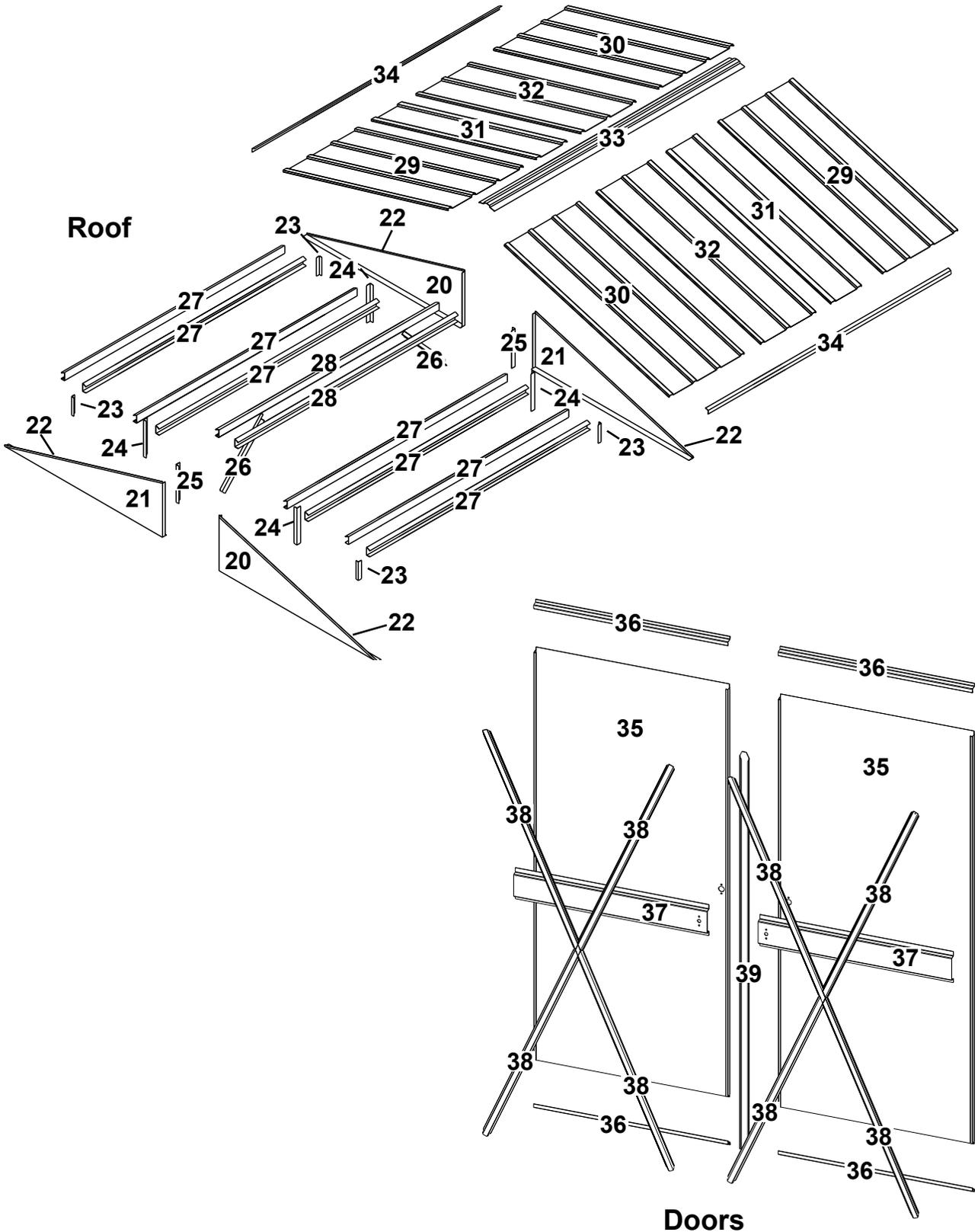
NOTE: Double Wall Studs are used on side and back walls to support Siding Panels.



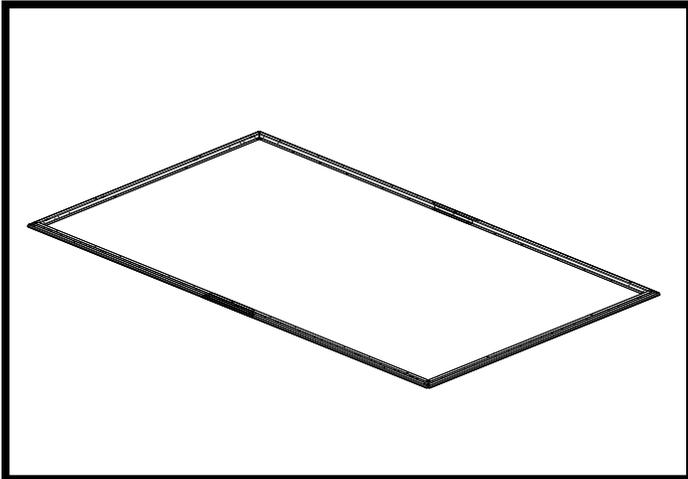
Walls



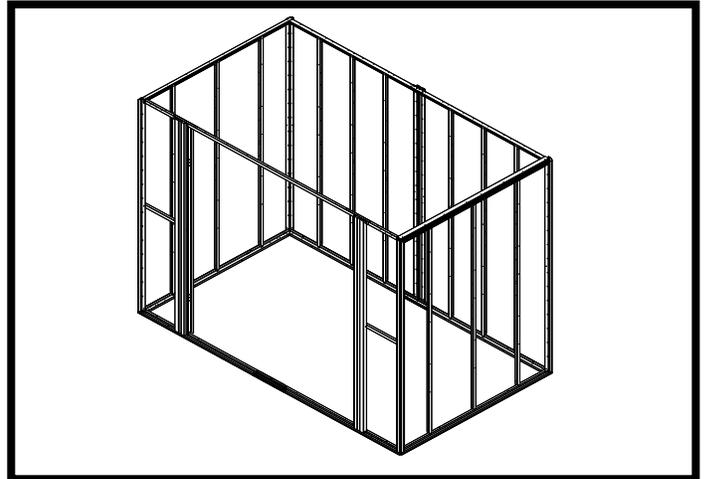
# ASSEMBLY BY KEY NO.



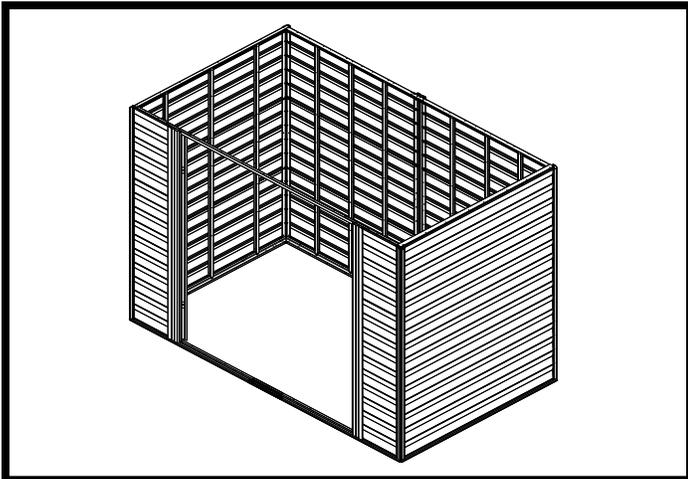
# ASSEMBLY OVERVIEW



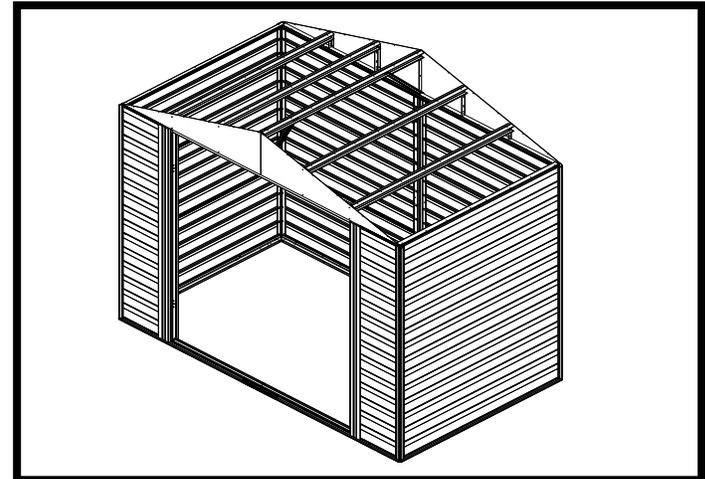
**Build the Floor Frame**



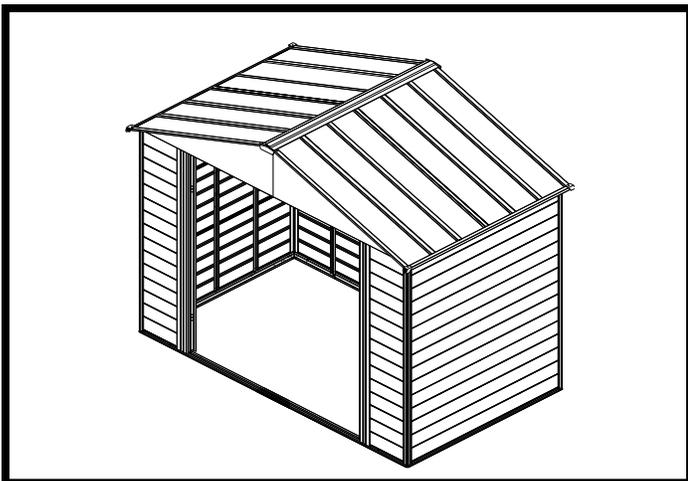
**Erect Post, Studs, and Door Jambs**



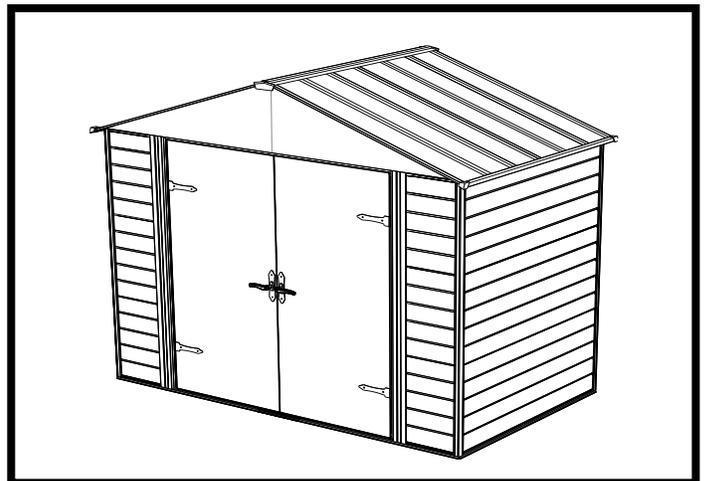
**Install Siding Panels**



**Attach Gables and Roof Beams**



**Install Roof Panel, Ridge Cap,  
Side Trim, Corner Cap**



**Install Doors**

**Shed is now complete.**

# CONSTRUCTING A BASE...

No matter which of the options below you choose for a base, an ARROW ANCHORING KIT is recommended as an effective method of properly securing your building after assembly is complete.

## OPTION 1: Directly on ground (earth)

Assemble your building directly on level ground (grass, dirt, rock, sand, etc.).

Allow 1 - 2 hours for construction.

## OPTION 2: Wood Platform

If you decide to build your own base, be sure to select the appropriate materials.

These are the recommended materials for your base:

- 2 x 4's (38 mm x 89 mm) Pressure Treated Lumber • 5/8" (15,5 mm) 4 x 8 (1220 mm x 2440 mm) Plywood-exterior grade
- 10 & 4 penny Galvanized Nails • Concrete Blocks (optional)

**NOTE:** Pressure Treated Lumber must not be used where it will make contact with your storage building. The properties of Pressure Treated Lumber will cause accelerated corrosion. **If Pressure Treated Lumber comes in contact with your storage building your warranty will be voided.**

The platform should be level and flat (free of bumps, ridges etc.) to provide good support for the building. The necessary materials may be obtained from your local lumber yard.

To construct the base follow instructions and diagram.

- Construct frame (using 10 penny galvanized nails)
- Measure 16"/24" (40,6 cm/61,0 cm) sections to construct inside frame (see diagram)
- Secure plywood to frame (using 4 penny galvanized nails)

Allow 6 - 7 hours for construction.

## OPTION 3: Concrete Slab

The slab should be at least 4" (10,2 cm) thick. It must be level and flat to provide good support for the frame.

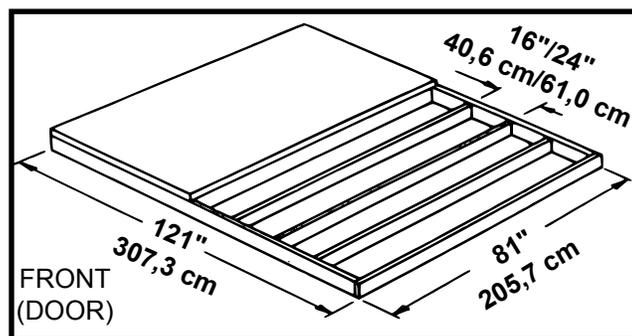
The following are the recommended materials for your base.

- 1 x 4's (19 mm x 89 mm) (will be removed once the concrete cures)
- Concrete • Sheet of 6 mil plastic
- We recommend for a proper strength concrete to use a mix of:  
1 part cement • 3 parts pea sized gravel • 2 1/2 parts clean sand

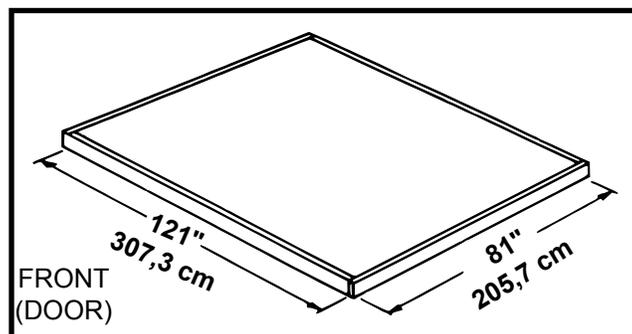
Prepare the Site/Construct a Base

1. Dig a square, 6" (15,2 cm) deep into the ground (remove grass).
2. Fill up to 4" (10,2 cm) in the square with gravel and tamp firm.
3. Cover gravel with a sheet of 6 mil plastic.
4. Construct a wood frame using four planks of 1x4 (19 mm x 89 mm) lumber.
5. Pour in concrete to fill in the hole and the frame giving a total of 4" (10,2 cm) thick concrete. Be sure surface is level.

Allow 3 - 5 hours for construction and a week for concrete curing time.



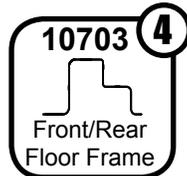
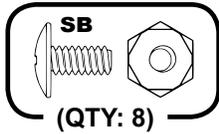
Note: Platform/Slab will extend 9/16" (1,4 cm) beyond floor frame on all four sides. Seal this 9/16" (1,4 cm) of wood with a roofing cement (not included), or bevel this 9/16" (1,4 cm) of concrete when pouring, for good water drainage.



Note: Finished Slab dimensions, with lumber removed.

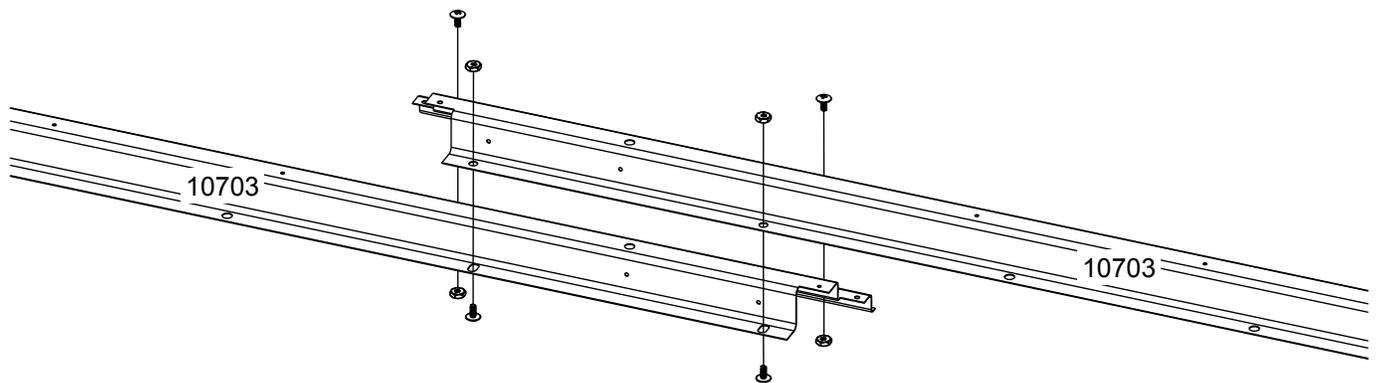
# Step 1: Floor Frame Pre-Assembly

You will need for this page:



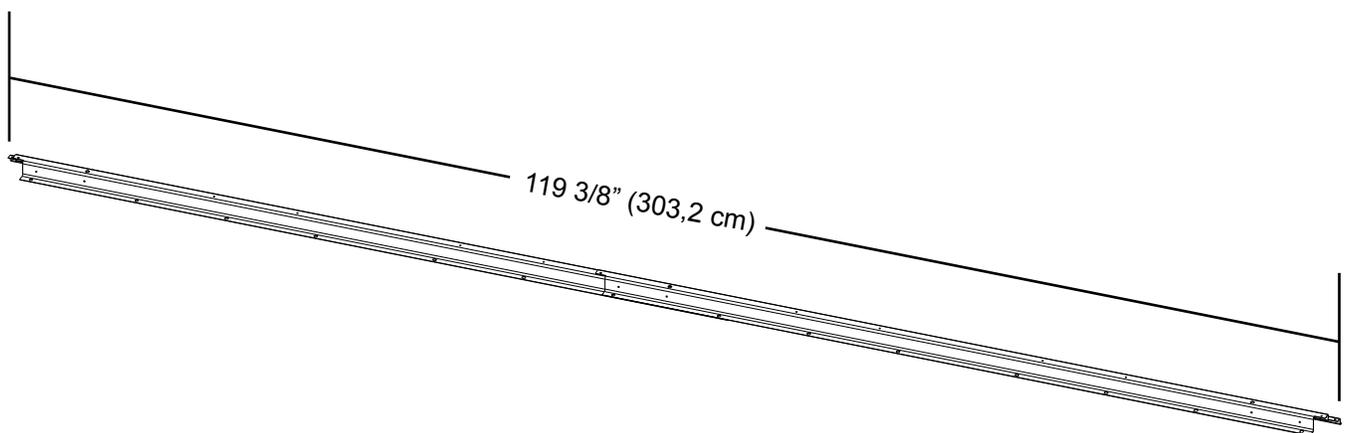
**NOTE** Washers are to be used on painted parts only. Washers are not necessary on unpainted parts and there are not enough to use on every Screw and Bolt.

- 1 Join two (2) **Front/Rear Floor Frames** together by overlapping them as shown and secure the **Frames** with four (4) **Stone Bolts** and **Nuts**. Repeat this for the other two (2) **Front/Rear Floor Frames**.



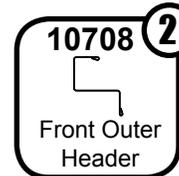
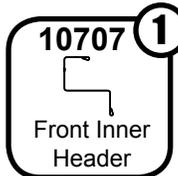
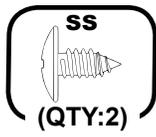
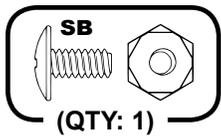
**BUILD TWO (2) ASSEMBLIES**

- 2 Check the overall length of each set of **Floor Frames** to make sure they are at the proper length of  $119 \frac{3}{8}$ " (303,2 cm).

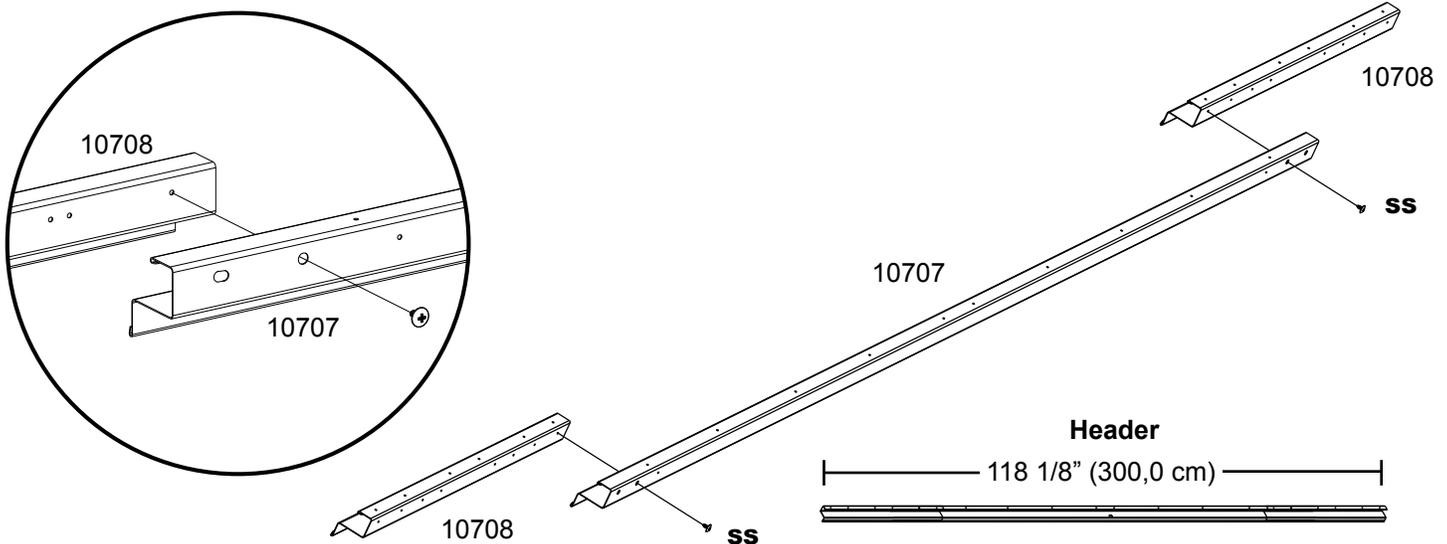


# Step 2: Frame Pre-Assembly

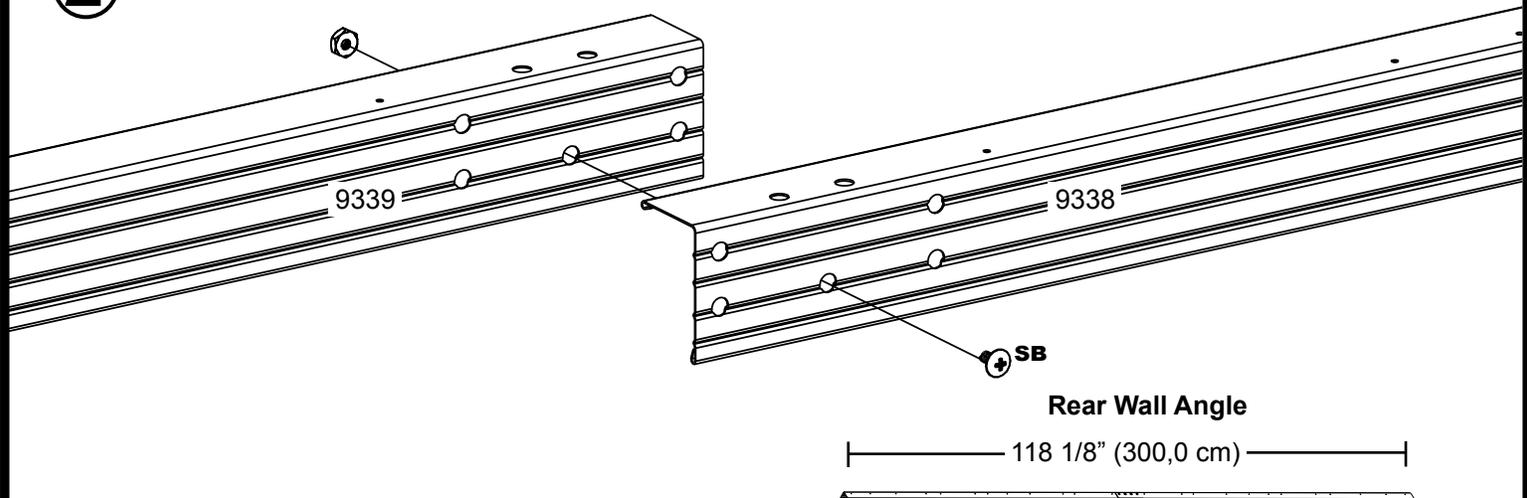
You will need for this page:



- 1** Connect the **Front Inner Header** to a **Front Outer Header** using one (1) **Stone Screw** as shown. Repeat this for the opposite end.



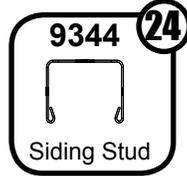
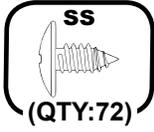
- 2** Join the **Left** and **Right Rear Wall Angles** using one (1) **Stone Bolt** and **Nut** as shown.



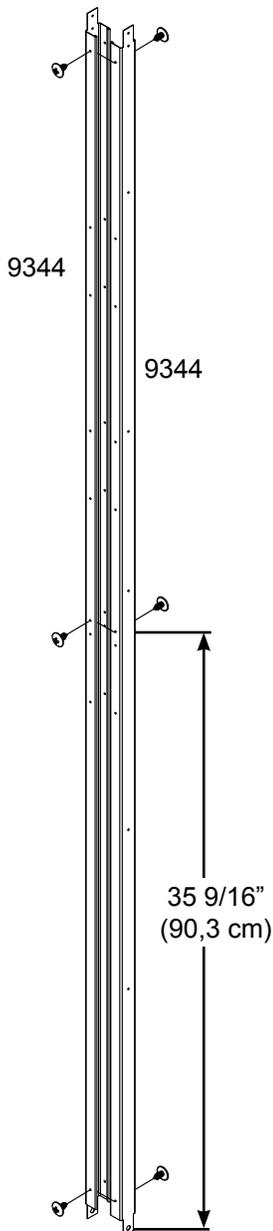
- 3** Check the overall length of the **Header** and **Rear Wall Angle** sets to make sure they are at the proper length of 118 1/8" (300,0 cm).

# Step 3: Stud Assembly

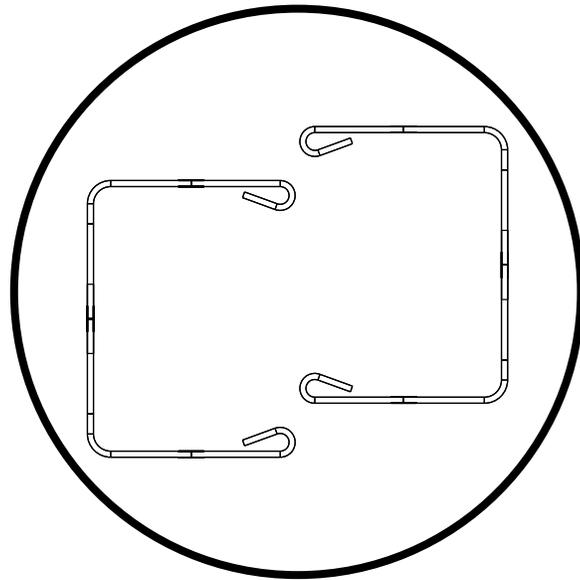
You will need for this page:



- 1** Join two (2) **Siding Studs** together using six (6) **Stone Screws** as shown.



**BUILD TWELVE (12) ASSEMBLIES**

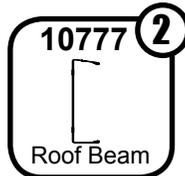
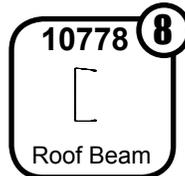
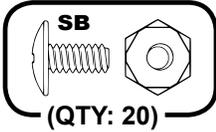


Top view of Siding Studs.

- 2** Repeat process to make eleven (11) more assemblies. Set assemblies aside for later use.

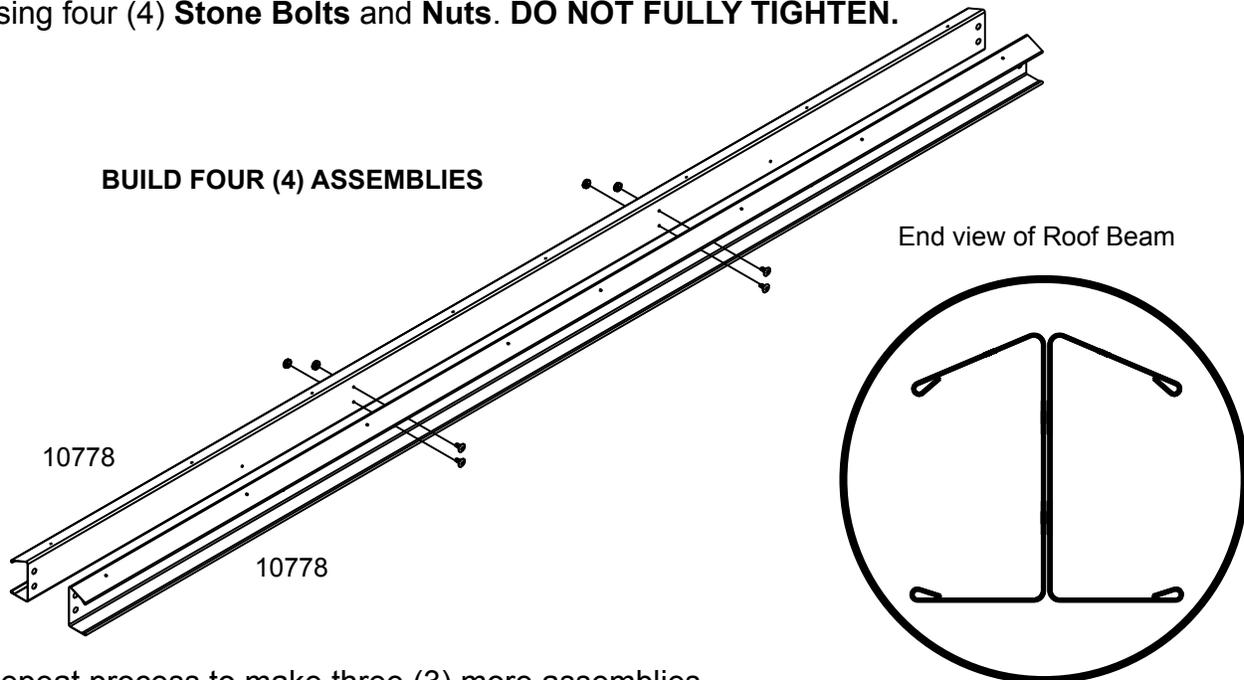
# Step 4: Roof Beam Assembly

You will need for this page:



- 1** Place two (2) 2" (5,1 cm) **Roof Beams** back-to-back with small holes on top. Fasten together using four (4) **Stone Bolts and Nuts**. **DO NOT FULLY TIGHTEN.**

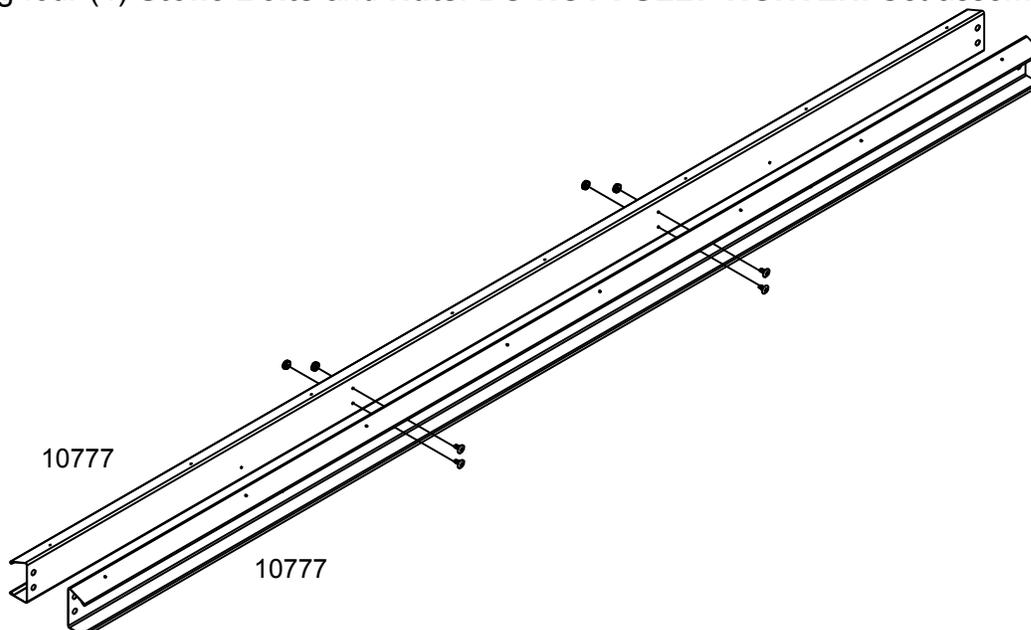
**BUILD FOUR (4) ASSEMBLIES**



- 2** Repeat process to make three (3) more assemblies. Set assemblies aside for later use.

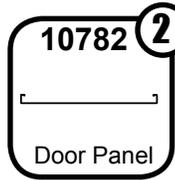
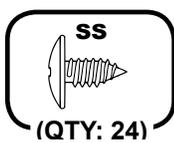
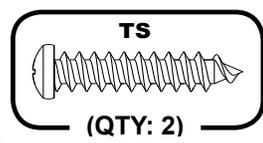
**Side of Beams with small holes must face up.**

- 3** Place two (2) 4" (10,2 cm) **Roof Beams** back-to-back with small holes on top. Fasten together using four (4) **Stone Bolts and Nuts**. **DO NOT FULLY TIGHTEN.** Set assembly aside for later use.



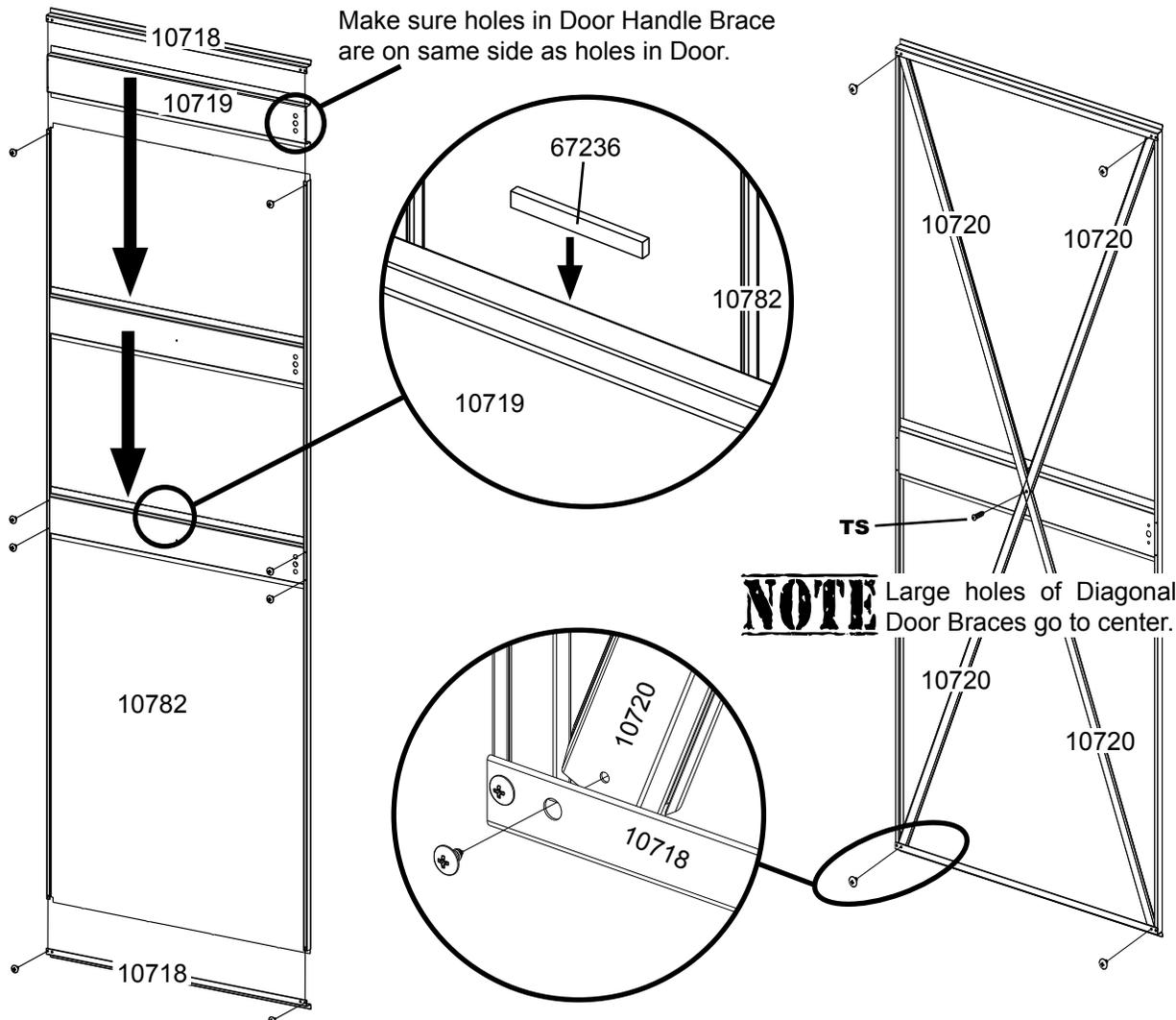
# Step 5: Door Pre-Assembly

You will need for this page:



- 1** Start assembly by sliding the **Door Handle Brace** into the middle of the **Door** and securing it with four (4) **Stone Screws**. Then attach the **Horizontal Door Braces** to each end of **Door** using two (2) **Stone Screws** on each brace. Once installed, attach **Adhesive Pad** between leg of **Door Handle Brace** and **Door**.

- 2** Place the ends of **Diagonal Door Braces** with small holes under **Horizontal Door Braces** as shown. Secure all **Diagonal Door Braces** to center of **Door Handle Brace** using one (1) **Tapping Screw**. Attach all **Diagonal Door Braces** under **Horizontal Door Braces** using four (4) **Stone Screws** at each corner as shown.

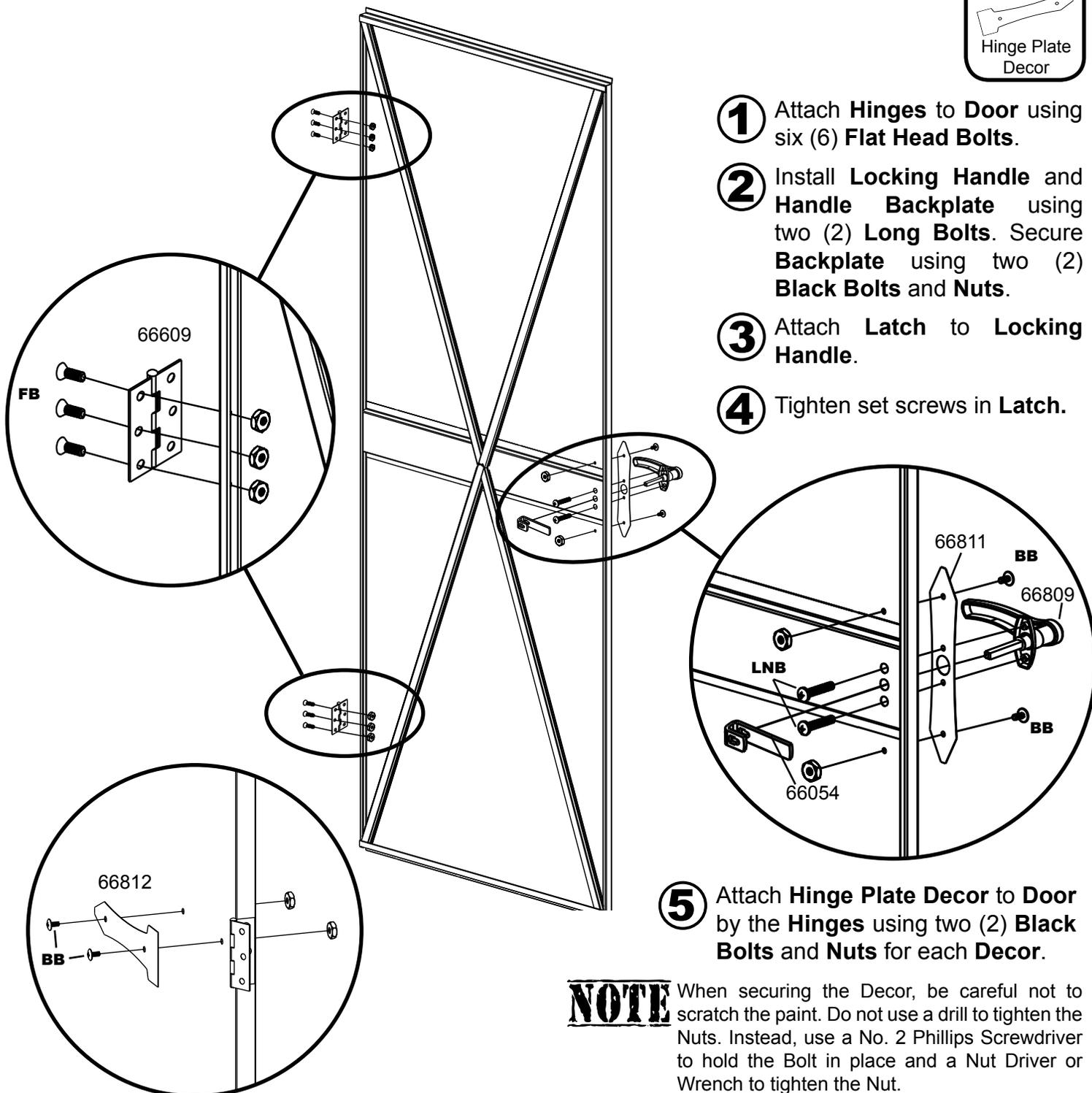
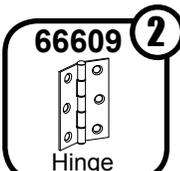
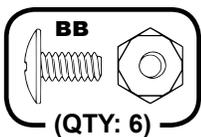
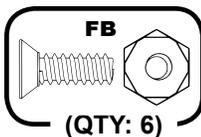
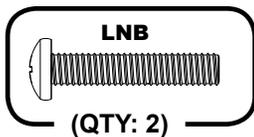


- 3** Repeat this process for the other **Door**.

**NOTE** Diagonal Door Braces attach from behind Horizontal Door Brace.

# Step 6: Right Door Assembly

You will need for this page:



① Attach Hinges to Door using six (6) Flat Head Bolts.

② Install Locking Handle and Handle Backplate using two (2) Long Bolts. Secure Backplate using two (2) Black Bolts and Nuts.

③ Attach Latch to Locking Handle.

④ Tighten set screws in Latch.

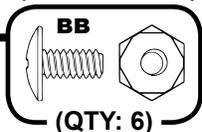
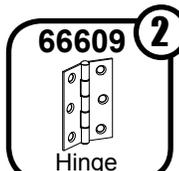
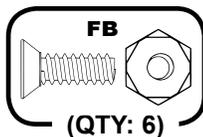
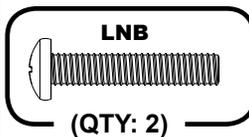
⑤ Attach Hinge Plate Decor to Door by the Hinges using two (2) Black Bolts and Nuts for each Decor.

## NOTE

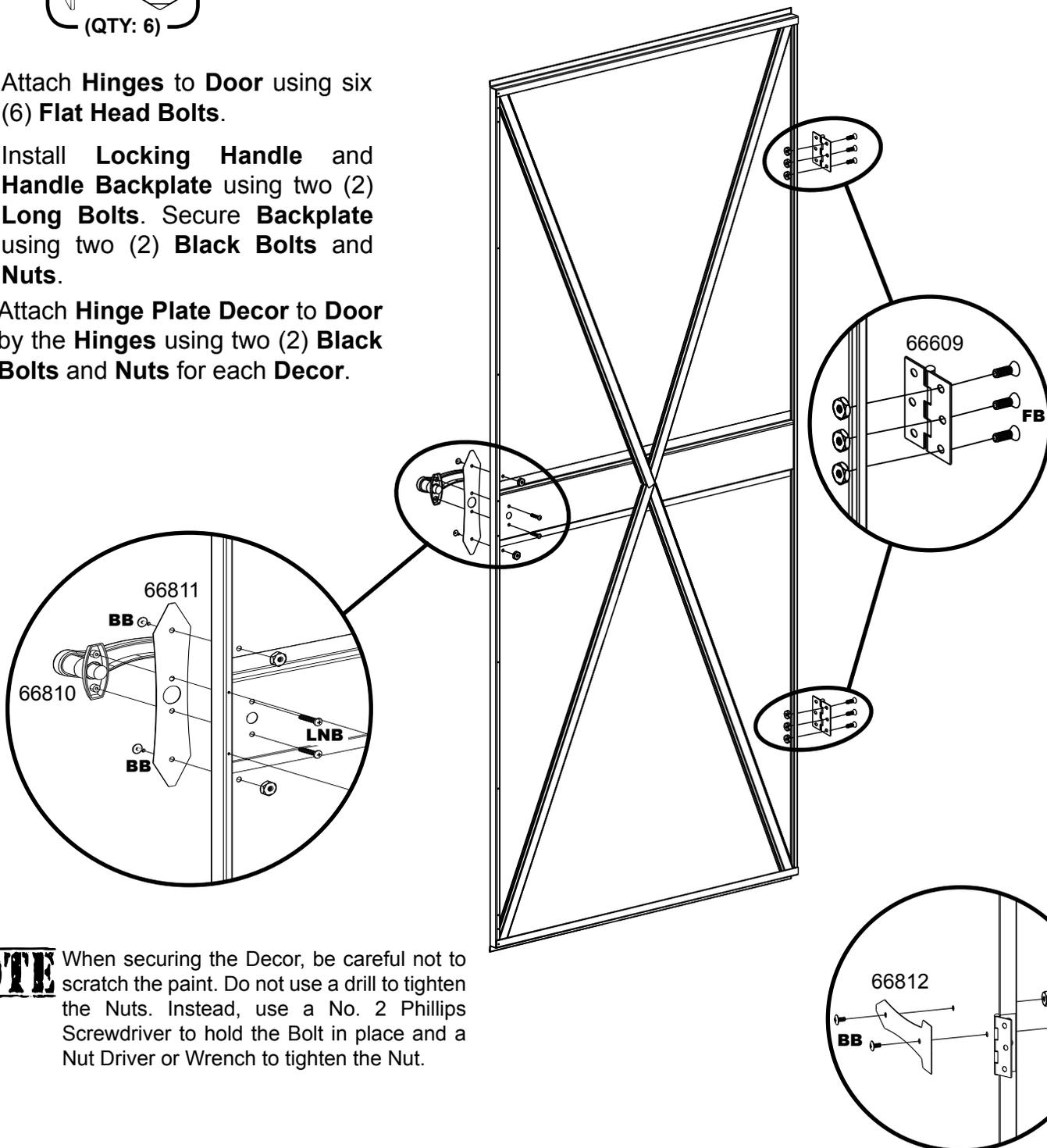
When securing the Decor, be careful not to scratch the paint. Do not use a drill to tighten the Nuts. Instead, use a No. 2 Phillips Screwdriver to hold the Bolt in place and a Nut Driver or Wrench to tighten the Nut.

# Step 7: Left Door Assembly

You will need for this page:



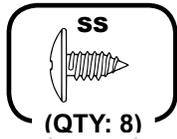
- ① Attach **Hinges** to **Door** using six (6) **Flat Head Bolts**.
- ② Install **Locking Handle** and **Handle Backplate** using two (2) **Long Bolts**. Secure **Backplate** using two (2) **Black Bolts** and **Nuts**.
- ③ Attach **Hinge Plate Decor** to **Door** by the **Hinges** using two (2) **Black Bolts** and **Nuts** for each **Decor**.



**NOTE** When securing the Decor, be careful not to scratch the paint. Do not use a drill to tighten the Nuts. Instead, use a No. 2 Phillips Screwdriver to hold the Bolt in place and a Nut Driver or Wrench to tighten the Nut.

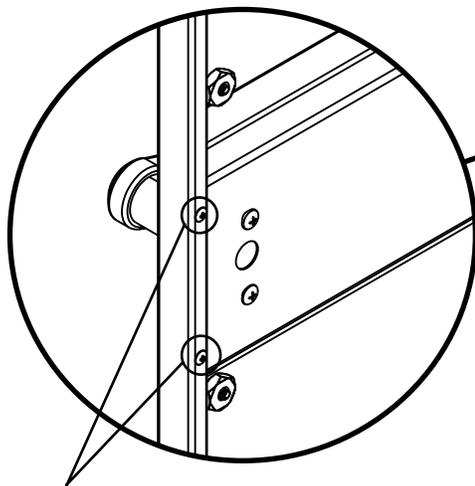
# Step 7: Continued

You will need for this page:

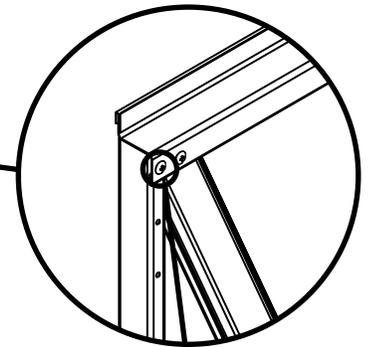
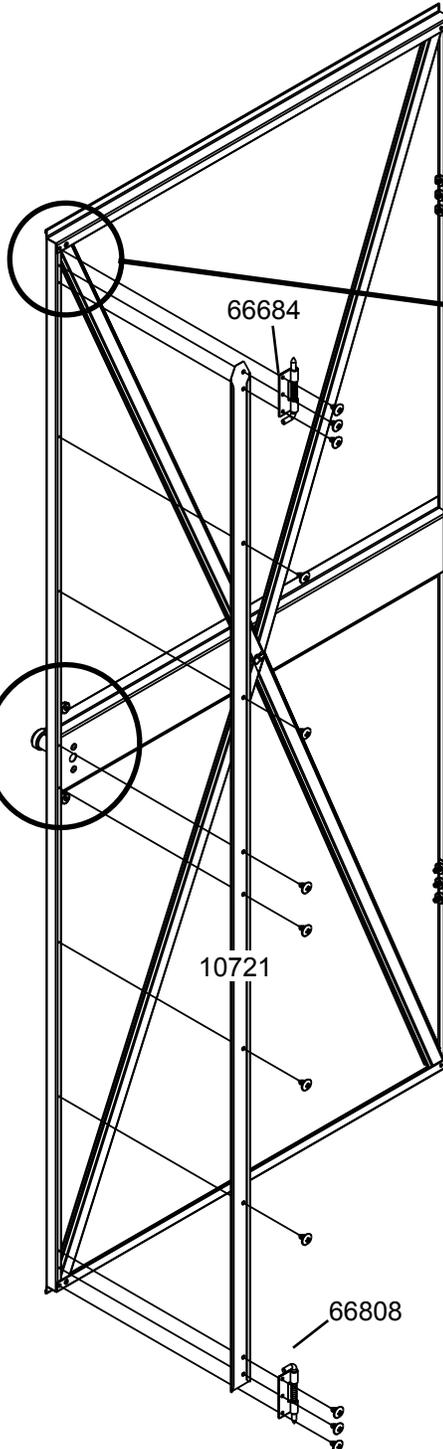


- 4** Remove two (2) **Screws** from left side of **Door Handle Brace** and far left **Screw** from both top and bottom **Horizontal Door Brace**. **Screws** will be reused.

- 5** Attach **Door Stop** and both **Top and Bottom Latch Springs** to left side of **Door** using the four (4) previous **Screws** as well as eight (8) additional **Stone Screws**.



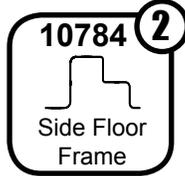
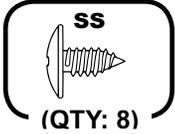
Remove Screws to install Door Stop.



Remove far left Screw from top and bottom Horizontal Door Brace to install Door Stop and Latch Springs.

# Step 8: Floor Assembly

You will need for this page:



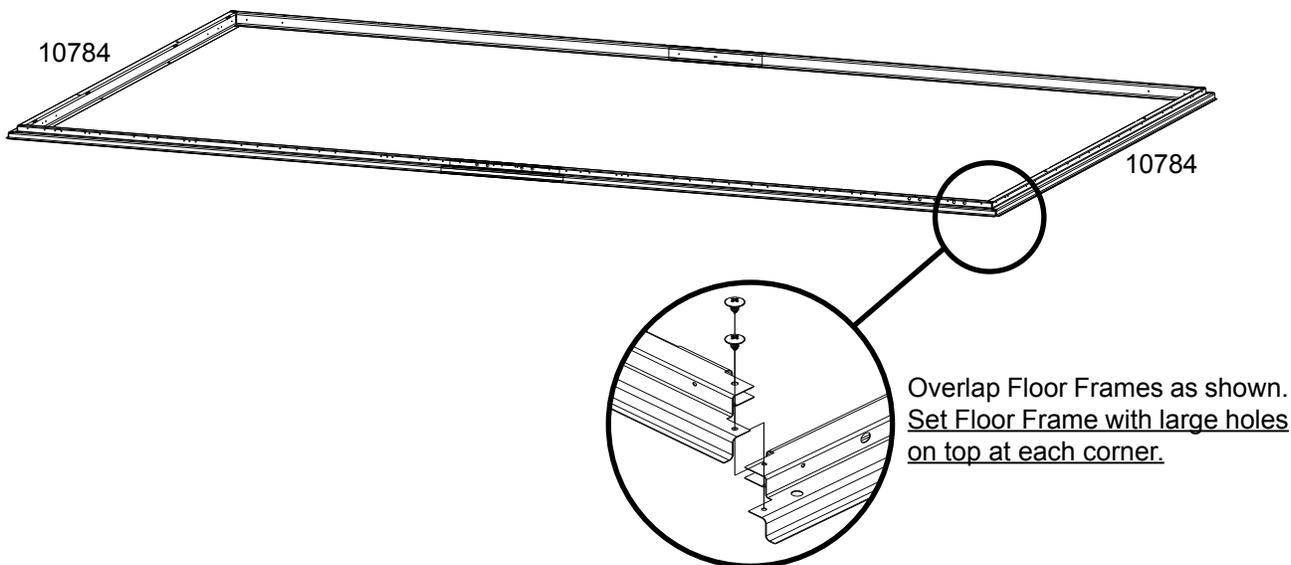
Assemblies from Step 1:

- Floor Frame Assemblies (2)

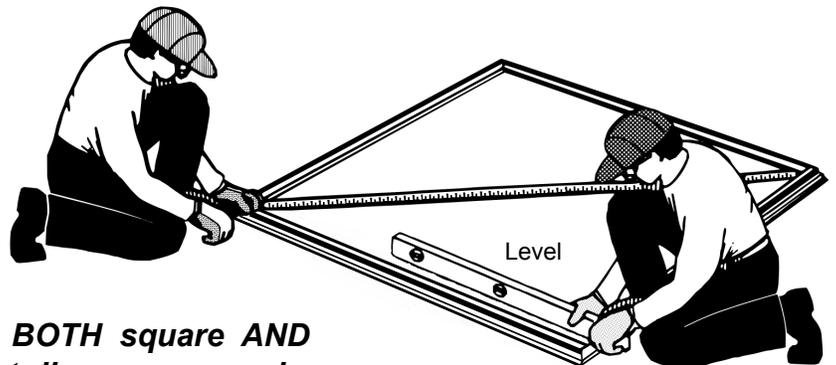
## NOTE

The remainder of the building assembly requires many hours and more than one person. Do not continue beyond this point if you do not have enough time to complete the assembly today. A partially assembled building can be severely damaged by light winds.

- 1 Assemble the four (4) corners of the **Floor Frame** using two (2) **Stone Screws** at each corner as shown.



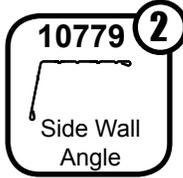
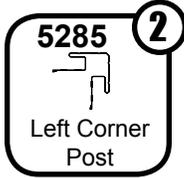
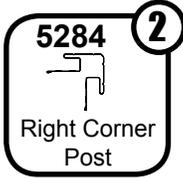
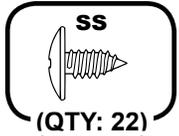
- 2 Measure the **Floor Frame** diagonally. When the diagonal measurements are equal, the **Floor Frame** is square.



*The Floor Frame must be BOTH square AND level or the holes will not line up properly.*

# Step 9: Posts/Frame

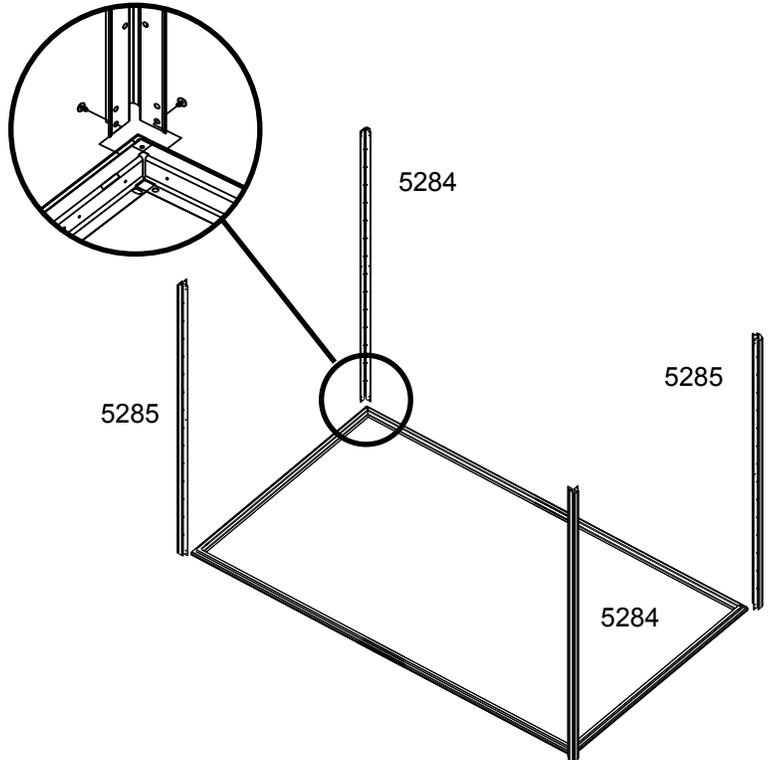
You will need for this page:



Assemblies from step 2:

- Header Assembly (1)
- Rear Wall Angle Assembly (1)

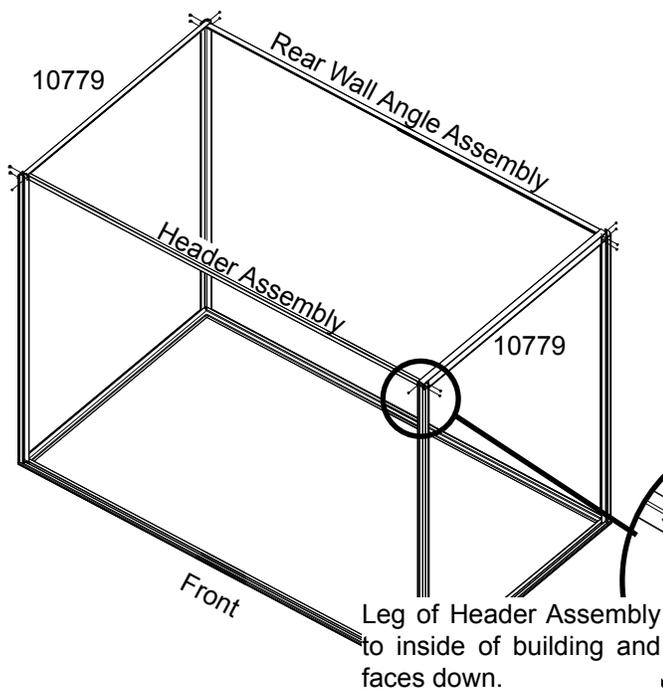
**1** Position **Right** and **Left Corner Posts** at the corner of the **Floor Frame** as shown. The angled end of each **Post** must be placed on top of all four (4) corners. Fasten the **Corner Post** to the **Floor Frame** using two (2) **Stone Screws** in each **Post**.



**NOTE** The Floor Frame *must be square and level* or holes will not align.

**NOTE** Support the Corner Posts with stakes or other devices until Door Jambs are attached.

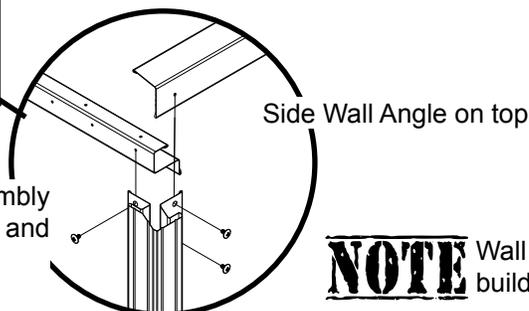
**NOTE** Long leg of Rear Wall Assembly and Side Wall Angles faces down.



**2** Fasten **Header Assembly** to top of front **Corner Posts** through top holes using two (2) **Stone Screws**.

**3** Fasten **Rear Wall Angle Assembly** to top of back **Corner Posts** using two (2) **Stone Screws** in each **Post**.

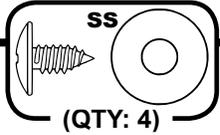
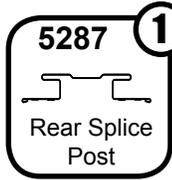
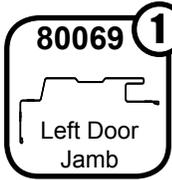
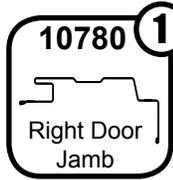
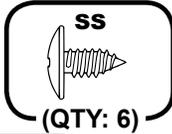
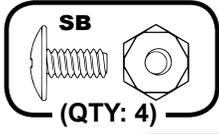
**4** Fasten **Side Wall Angles** to top of side **Corner Post** using two (2) **Stone Screws** in each **Post**.



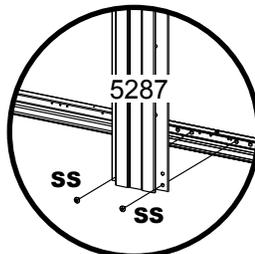
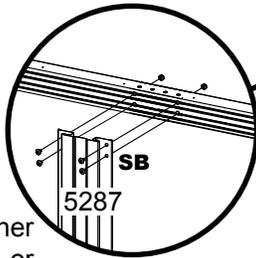
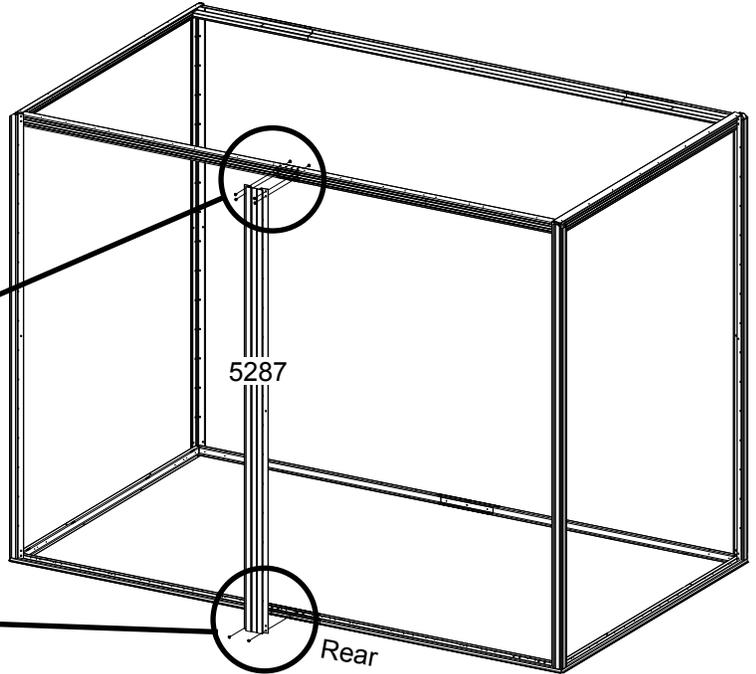
**NOTE** Wall Angles must face inside building.

# Step 10: Splice Post/Door Jamb

You will need for this page:

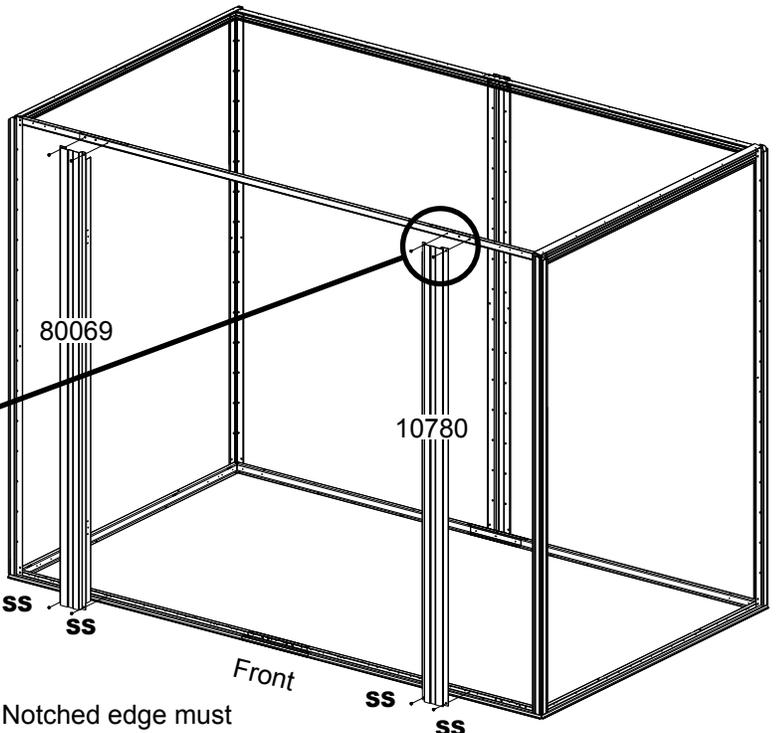


- 1 Position **Splice Post** at the center of the rear wall and fasten using two (2) **Stone Screws** into rear **Floor Frame** and four (4) **Stone Bolts** and **Nuts** into **Rear Wall Angle Assembly**.

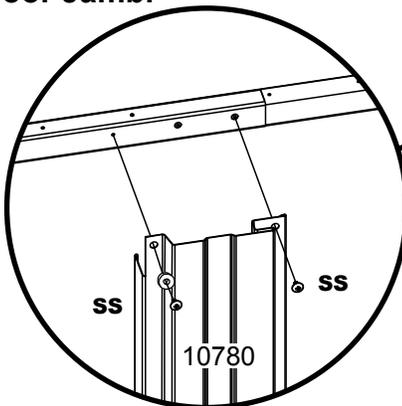


**NOTE** Support the Corner Posts with stakes or other devices until Door Jambs are attached.

- 2 Align top hole on notched side of one (1) **Door Jamb** with hole closest to center on the **Header**. Fasten **Door Jamb** to the **Header** and **Frame** using four (4) **Stone Screws** in **Door Jamb**. Repeat for other **Door Jamb**.



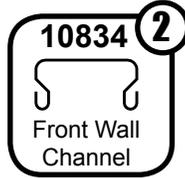
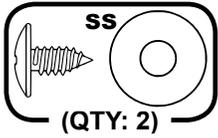
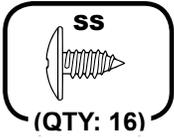
Add Washers to Screws on holes closest to center.



**NOTE** Notched edge must face center of building.

# Step 11: Studs

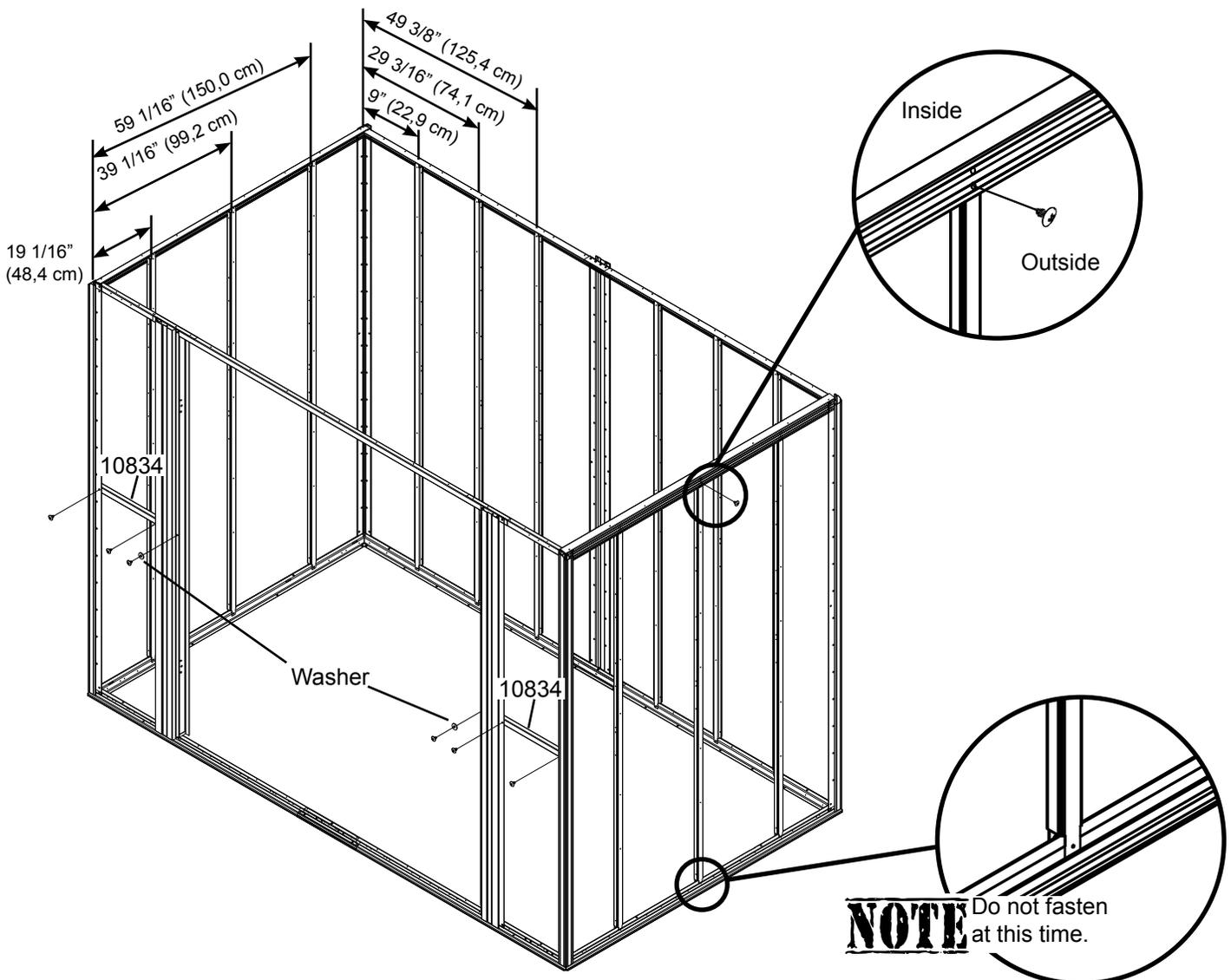
You will need for this page:



Assemblies from step 3:

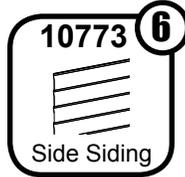
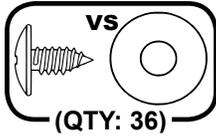
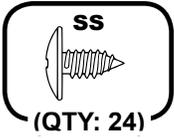
- Stud Assemblies (12)

- Following dimensions, measuring from the end of angle, position a **Stud Assembly** inside top angle and fasten with one (1) **Stone Screw** through the lower hole of angle.
- Place bottom of **Stud Assembly** over **Floor Frame** as shown. Do not fasten bottom at this time. Repeat procedure for the remaining **Stud Assemblies** around the building.
- Place **Front Wall Channels** into position behind **Corner Post** and **Door Jamb**. Fasten using three (3) **Stone Screws** as shown below.



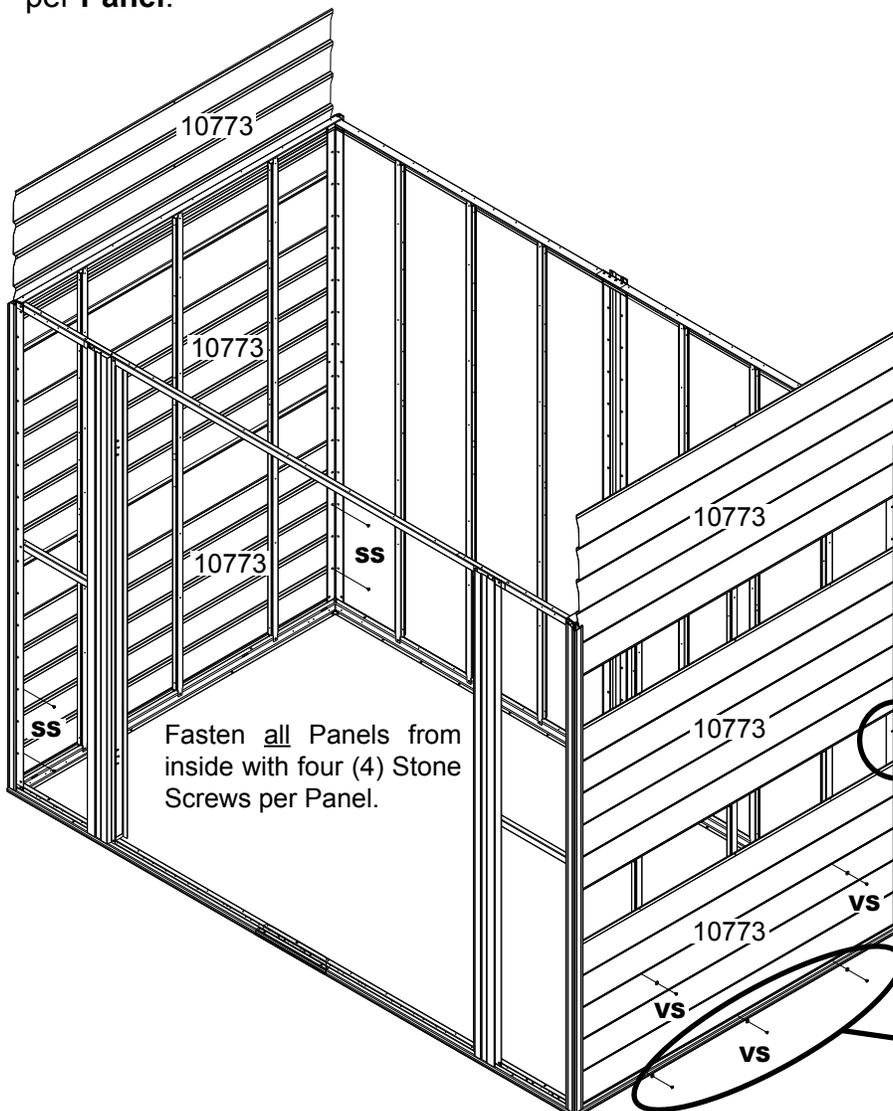
# Step 12: Side Siding

You will need for this page:

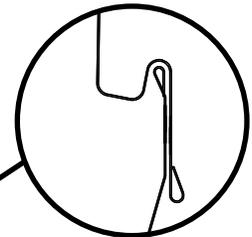


**NOTE** Washers are to be used on painted parts only. Washers are not necessary on unpainted parts and there are not enough to use on every Screw and Bolt.

- ① Slide bottom **Side Siding** into channels of **Corner Posts** as shown. Once in place, secure with five (5) **Vanilla Screws**. Screws going into bottom **Floor Frame** also secure **Stud Assemblies**.
- ② Slide remaining **Panels** into channel, making sure **Siding Panels** overlap as shown. Once overlapped, fasten **Panels** using five (5) **Vanilla Screws** as before.
- ③ Secure both top **Panels** to **Side Wall Angle** using an additional three (3) **Vanilla Screws** per **Panel**.
- ④ From inside building, fasten all **Side Siding Panels** to **Corner Posts** using four (4) **Stone Screws** per **Panel**.



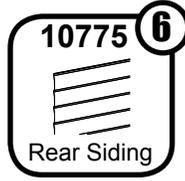
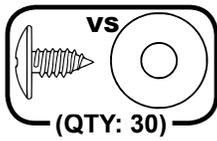
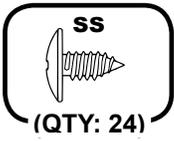
Be certain all Siding Panels are completely overlapped or holes will not line up.



**NOTE** Screws also secure Stud Assemblies to Floor Frame.

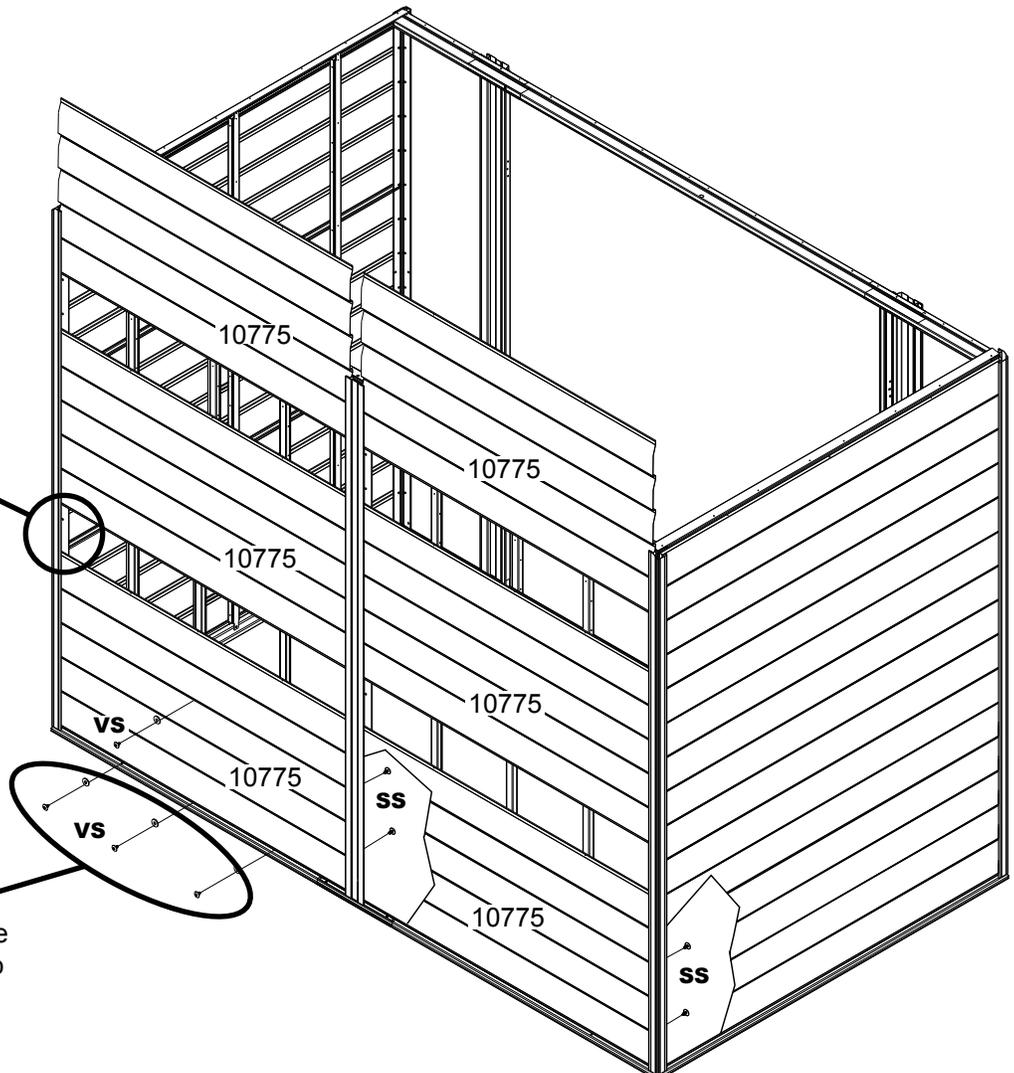
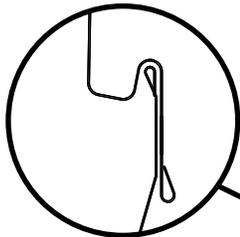
# Step 13: Rear Siding

You will need for this page:



- ① Slide bottom **Rear Siding Panels** into channels of **Corner Posts** and **Splice Post** as shown. Once in place, secure with four (4) **Vanilla Screws** per **Panel**. **Screws** going into bottom **Floor Frame** also secure **Stud Assemblies**.
- ② Slide remaining **Panels** into channels, making sure **Siding Panels** overlap as shown. Once overlapped, fasten each **Panel** using four (4) **Vanilla Screws** as before.
- ③ Secure the tops of **Panels** to **Rear Wall Angle** using an additional three (3) **Vanilla Screw** per **Panel**.
- ④ From inside building, fasten all **Rear Siding Panels** to **Corner Posts** and **Splice Post** using four (4) **Stone Screws** per **Panel**.

Be certain all Siding Panels are completely overlapped or holes will not line up.



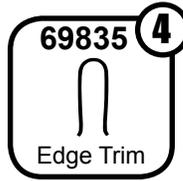
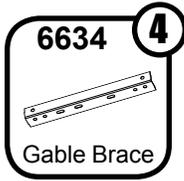
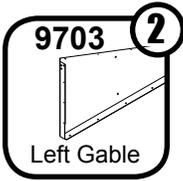
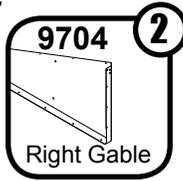
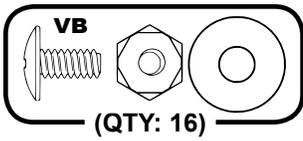
**NOTE**

Screws also secure Stud Assemblies to Floor Frame.



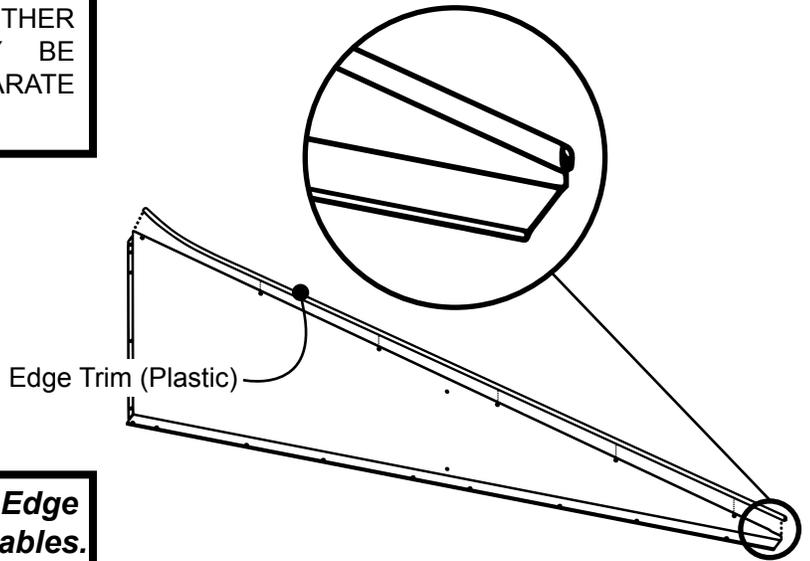
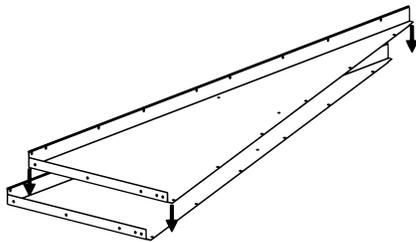
# Step 15: Gables

You will need for this page:



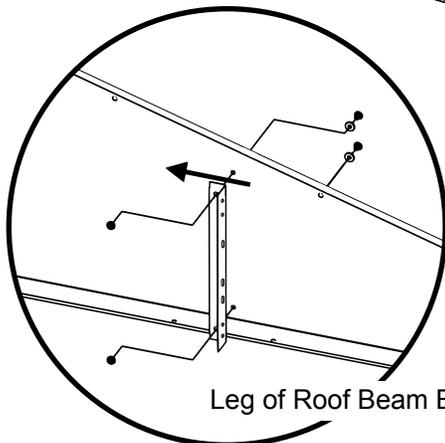
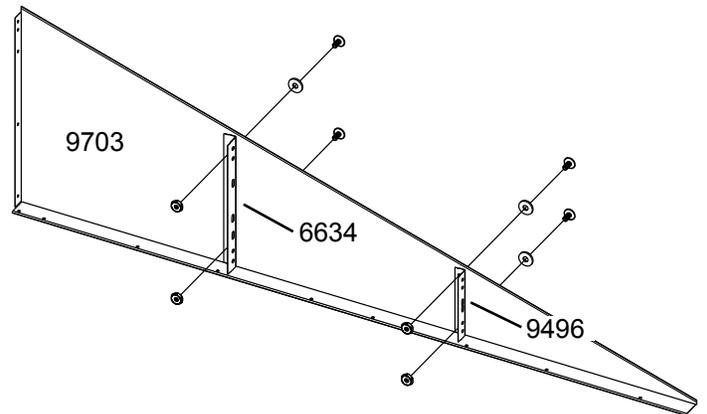
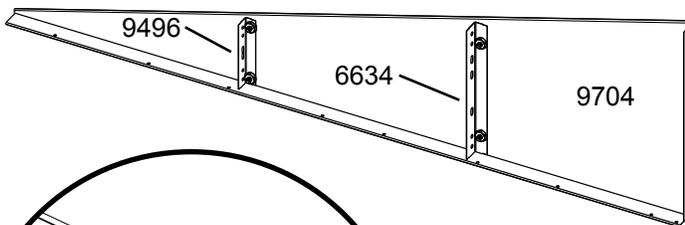
**STOP**

GABLES ARE STACKED TOGETHER DURING SHIPPING AND MAY BE MISTAKEN FOR ONE GABLE! SEPARATE GABLES BEFORE CONTINUING.



**Install Edge Trim to cover Gable Edge BEFORE doing ANY work with Gables. Failure to do so could result in injury.**

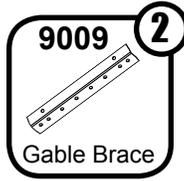
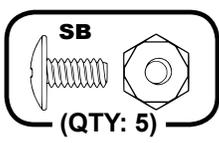
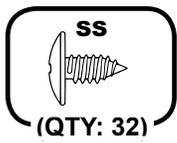
**1** Attach a short and long **Gable Brace** to all four (4) **Gables** using two (2) **Vanilla Bolts** and **Nuts** for each **Brace** as shown below.



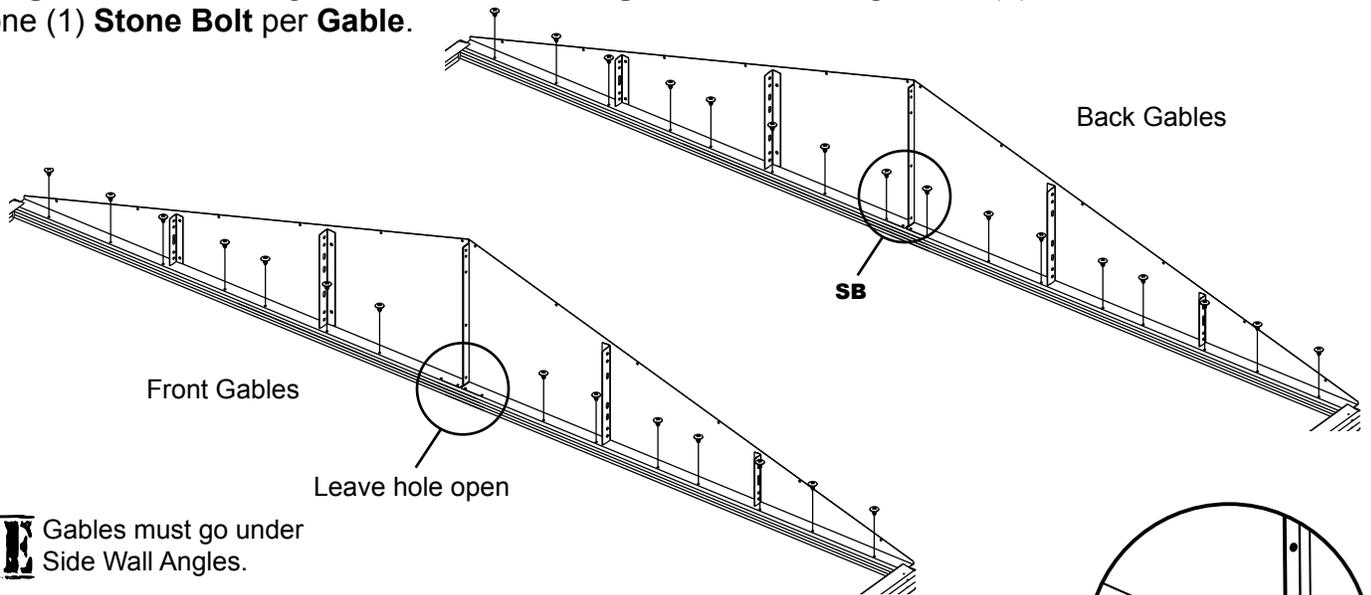
Leg of Roof Beam Bracket must face center of Gable as shown.

# Step 15: Continued

You will need for this page:

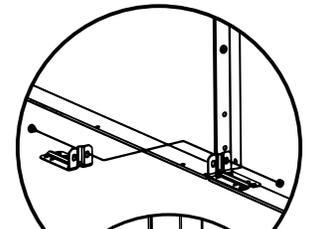


**2** Working one (1) **Gable** at a time, lift **Left** and **Right Gables** into place on top of **Rear Wall Angle**. **Gables** must go under **Side Wall Angles**. Secure using seven (7) **Stone Screws** and one (1) **Stone Bolt** per **Gable**.

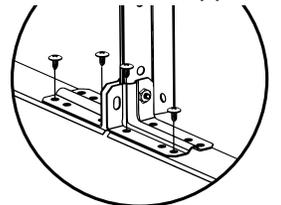


**NOTE** Gables must go under Side Wall Angles.

**3** Working one **Gable** at a time, lift **Left** and **Right Gables** into place on top of **Header**. **Gables** must go under **Side Wall Angles**. Secure using seven (7) **Stone Screws** per **Gable**. Do not insert **Screws** into the two (2) holes closest to the peak of each **Gable**. These will be used to attach the **Track Support** later.

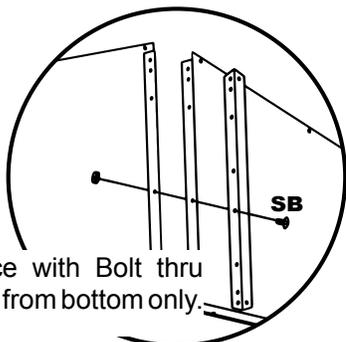


Install Track Support.

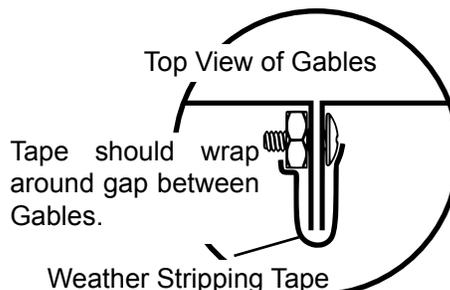


**4** Join **Left** and **Right Gables** together using **Gable Brace** and securing with one (1) **Stone Bolt** and **Nut** in the second hole from the bottom. Apply **Weather Stripping** along the mating edge of the **Left** and **Right Gable** as shown. Cut the **Weather Stripping** to length. Repeat for opposite side.

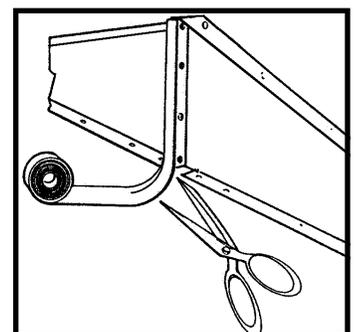
**5** Position **Track Support** as shown. Secure **Track Supports** to **Gable** using one (1) **Stone Bolt**. Secure to **Header** using two (2) **Stone Screws** per side.



Attach Brace with Bolt thru second hole from bottom only.

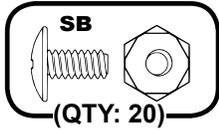


Tape should wrap around gap between Gables.



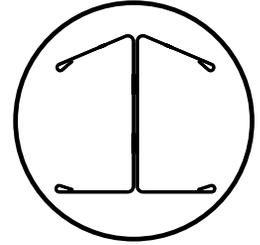
# Step 16: Roof Beams/Braces

You will need for this page:



Assemblies from step 4:

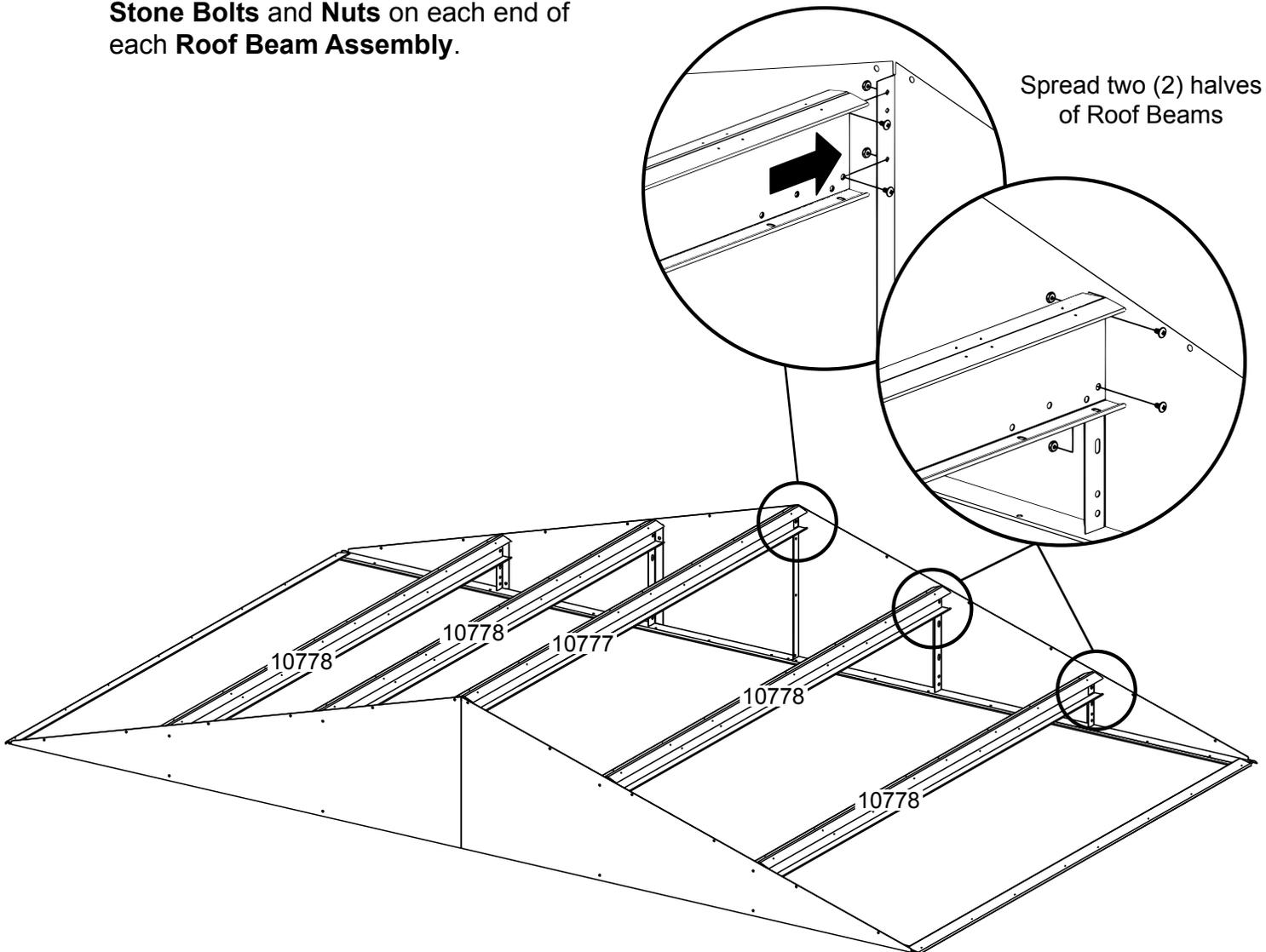
- Roof Beam Assemblies (5)



Side of Beams with small holes must face up.

- 1 Secure the **Roof Beam Assemblies** to the **Gables** as shown using two (2) **Stone Bolts** and **Nuts** on each end of each **Roof Beam Assembly**.

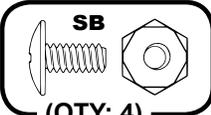
Spread two (2) halves of Roof Beams



**IMPORTANT:** At this time, take a moment to ensure the building is level and square. Measure the building diagonally again to make sure the building is square. The building should be square at the base and at the top. This will make Roof Panels fit better and holes will better align.

# Step 16: Continued

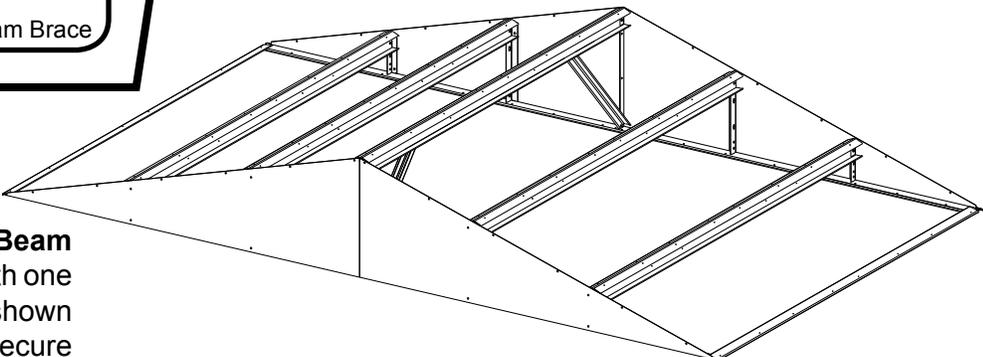
**You will need for this page:**



**SB**  
(QTY: 4)

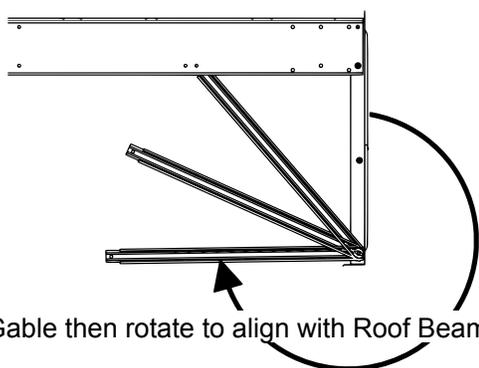
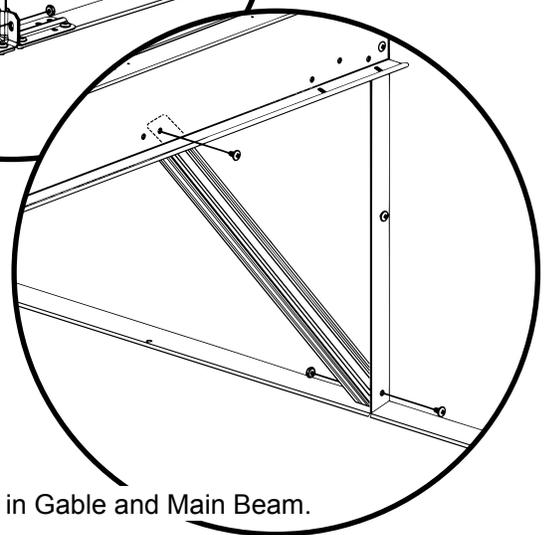
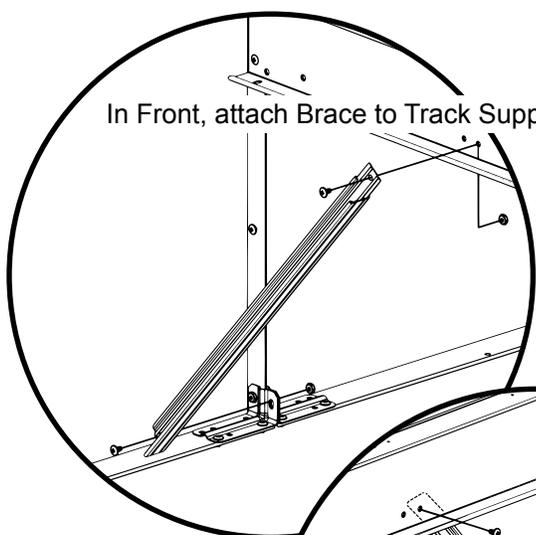
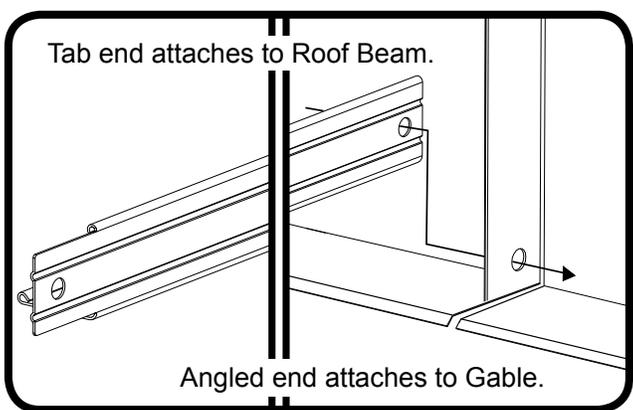


**9204** **2**  
Beam Brace



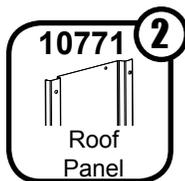
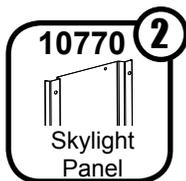
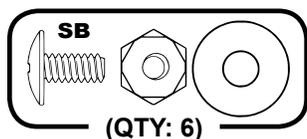
**2** In the front, attach the **Roof Beam Brace** to the **Track Support** with one (1) **Stone Bolt** and **Nut** as shown and rotate to align with **Roof Beam**. Secure to **Roof Beam** with one (1) **Stone Bolt** and **Nut** as shown.

**3** In the rear, attach the **Roof Beam Brace** to the **Gable** with one (1) **Stone Bolt** and **Nut** as shown and rotate to align with **Roof Beam**. Secure to **Roof Beam** with one (1) **Stone Bolt** and **Nut** as shown.

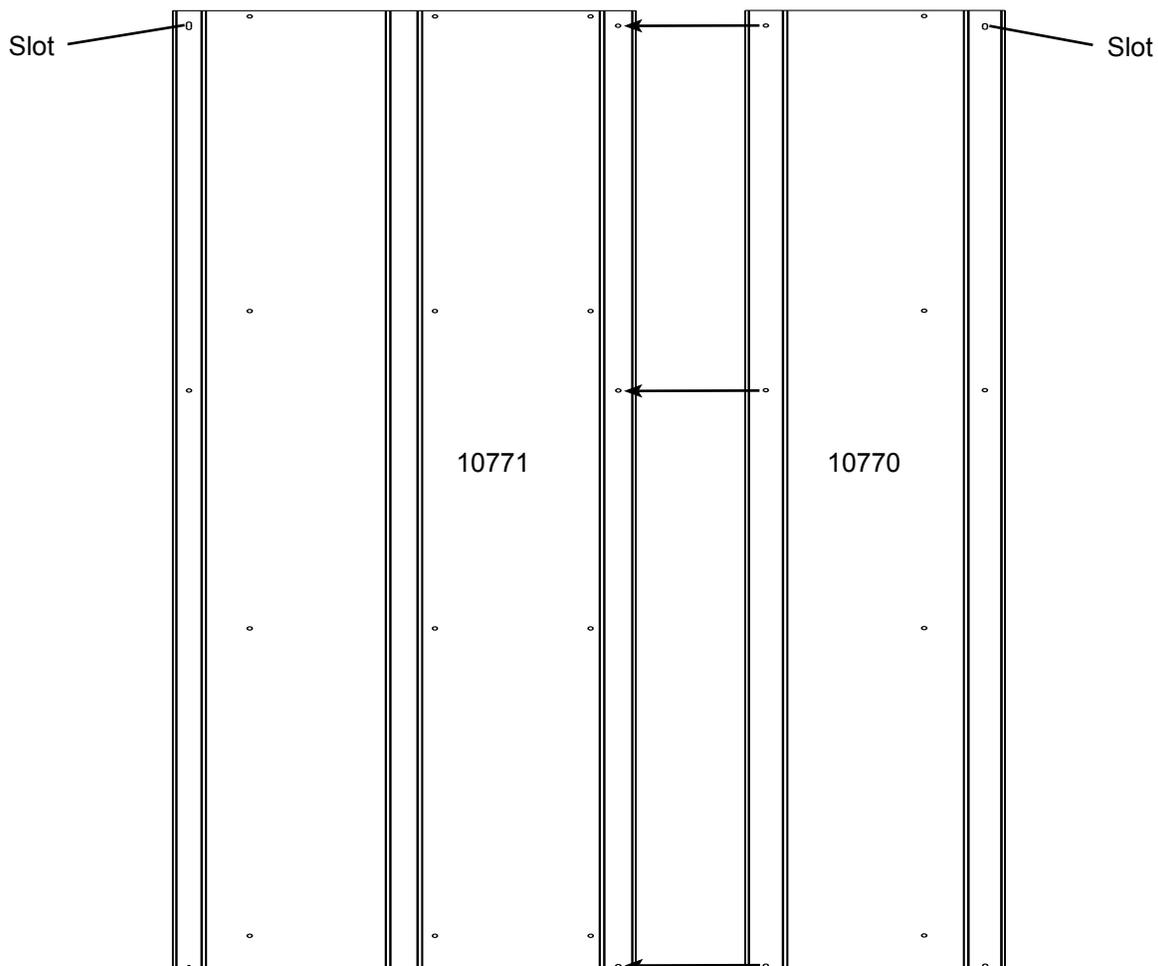


# Step 17: Roof Assembly

You will need for this page:

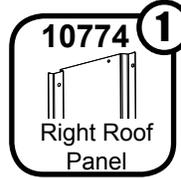
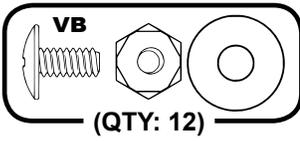
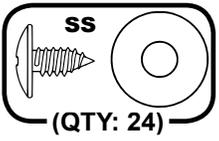


- ① Place **Skylight Panel** and **Roof Panel** according to the diagram below. Ensure that the ends of the **Panels** with the slotted holes are at the same end with the slot to the outside of the finished assembly.
- ② Place the **Skylight Panel** over the **Roof Panel** so that the three (3) sets of holes align.
- ③ Fasten the two **Panels** together with **Stone Bolts** and **Nuts**. Make two (2) assemblies.

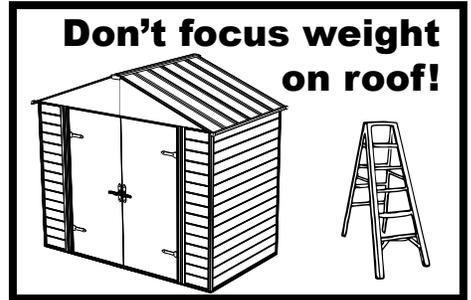


# Step 17: Continued

You will need for this page:



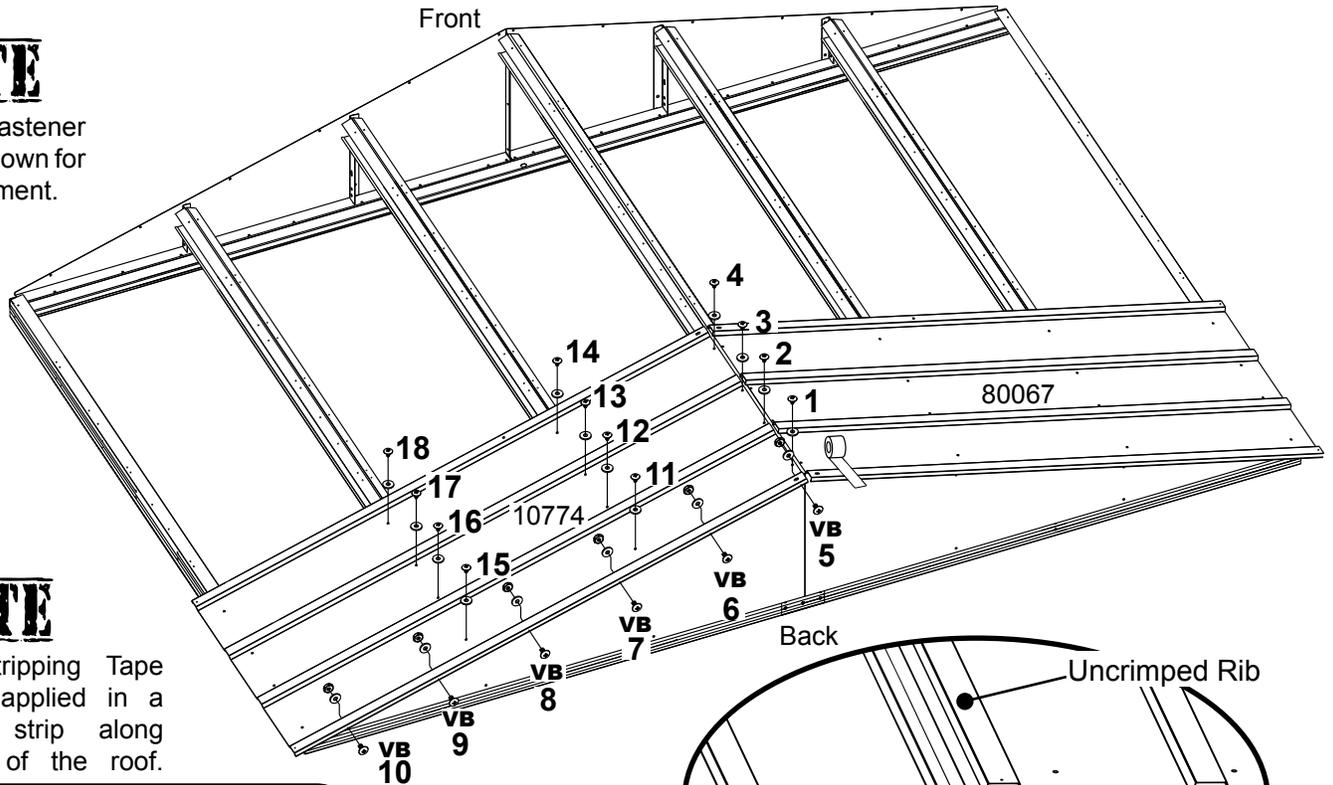
- ④ Attach **Back Right Roof Panel** to **Top Roof Beam** only using four (4) **Stone Screws**.
- ⑤ Remove **Edge Trim** from the **Left Gable** under the **Roof Panel**.
- ⑥ Continue fastening **Roof Panel** to **Gable** and **Lower Roof Beams** using six (6) **Vanilla Bolts** and **Nuts** and eight (8) **Stone Screws**. Do not fasten to **Side Wall Angle** at this time.
- ⑦ Install **Back Left Roof Panel**.
- ⑧ While installing **Roof Panels** use **Weather Stripping Tape** to seal roof ridge.



**NOTE** Work one corner at a time. Be sure to finish a corner before moving on to the next one.

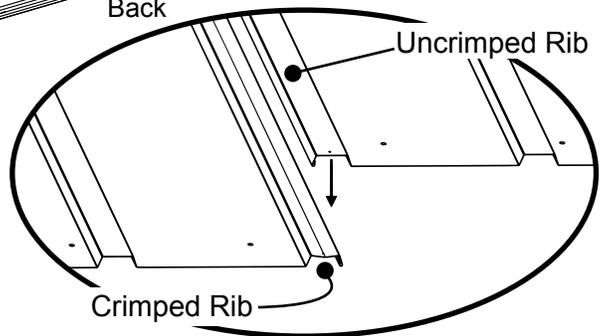
**NOTE**

Follow the fastener sequence shown for proper alignment.

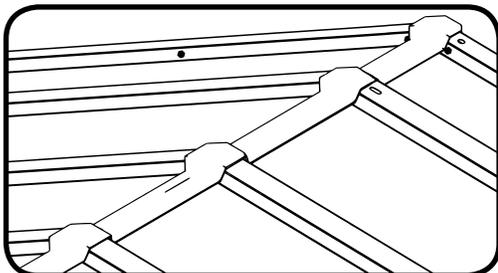


**NOTE**

Weather Stripping Tape should be applied in a continuous strip along the length of the roof.

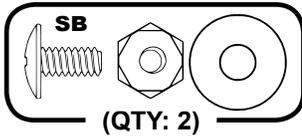
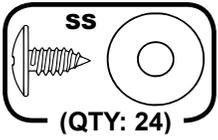


Whenever a crimped rib and an uncrimped rib meet, place the crimped rib **UNDER** the uncrimped rib.



# Step 17: Continued

You will need for this page:

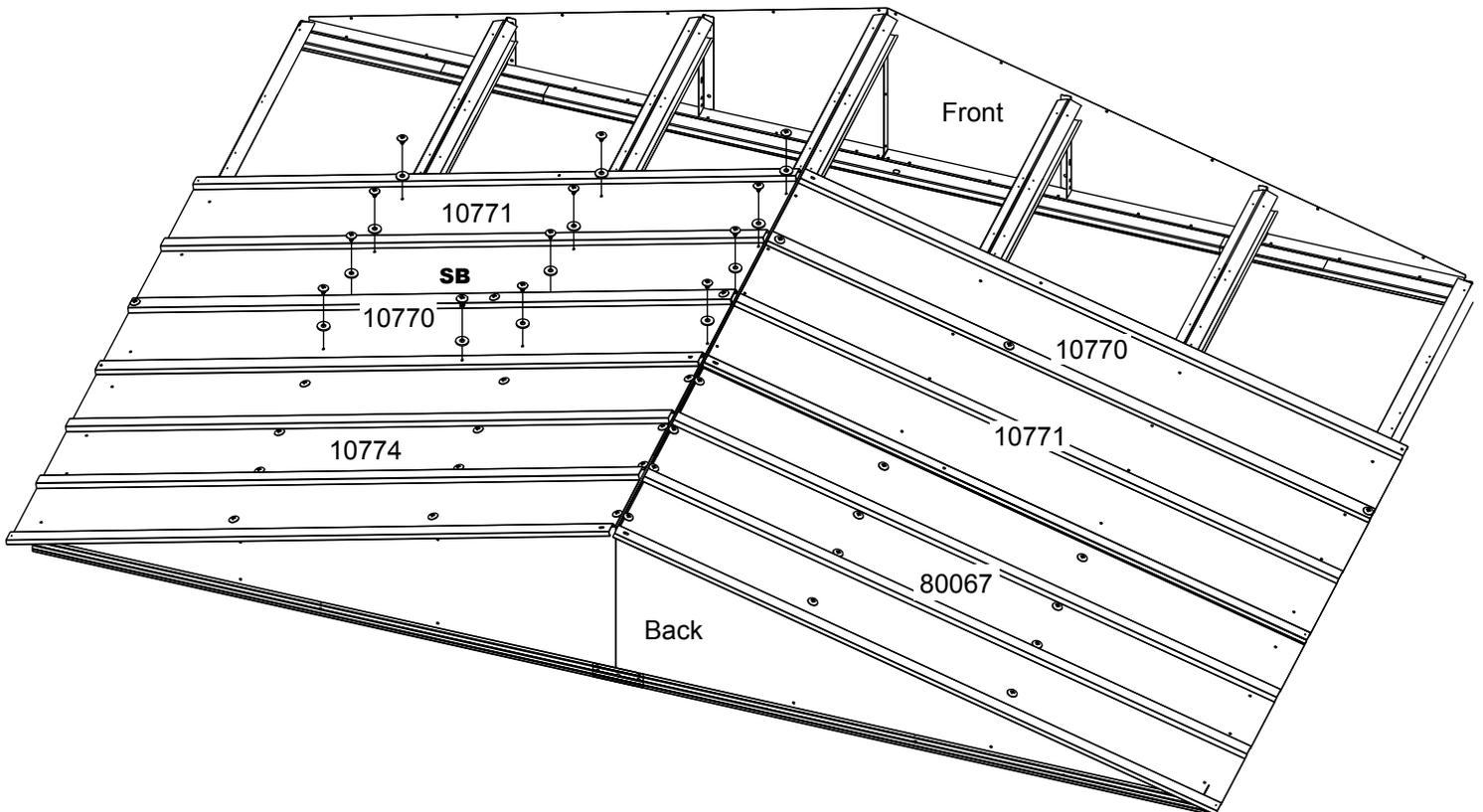
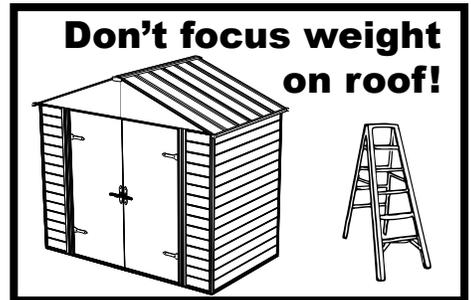


- Skylight Assemblies (2)

**9** Attach two (2) **Skylight Assemblies**, one at a time, to **Roof Beams** using twelve (12) **Stone Screws**.

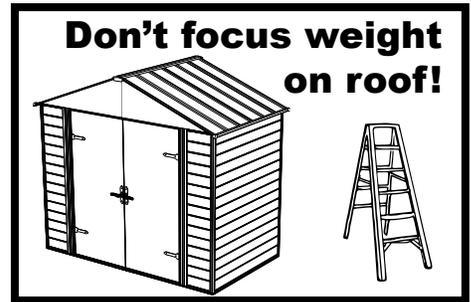
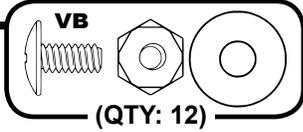
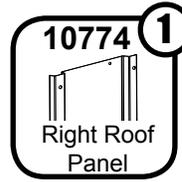
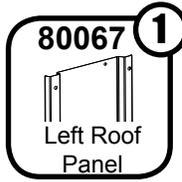
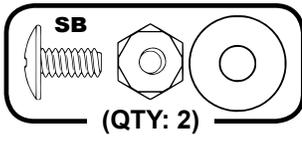
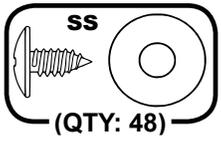
**10** Secure **Skylight Assemblies** to **Back Roof Panels** using one (1) **Stone Bolt** and **Nut** per **Panel** as shown below.

**11** Continue installing **Weather Stripping Tape** to seal roof ridge.



# Step 17: Continued

You will need for this page:

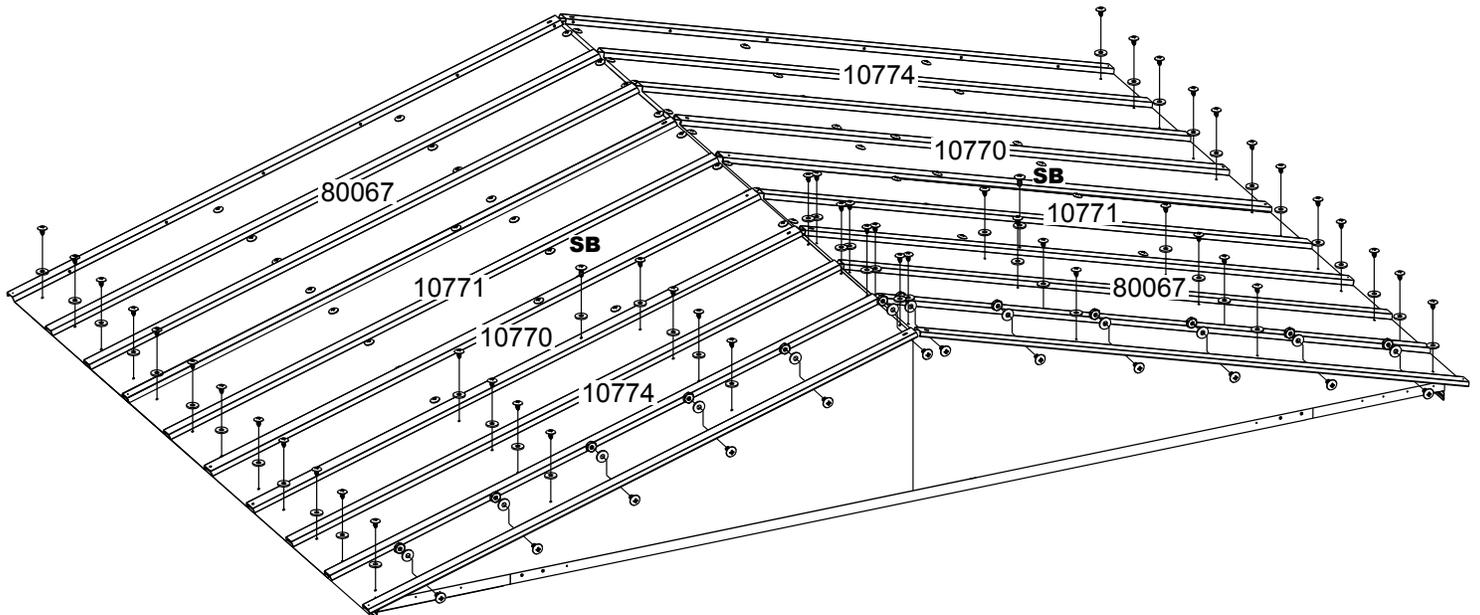


**12** Attach **Front Left** and **Right Roof Panels**, one at a time, to **Roof Beams** using twelve (12) **Stone Screws** per **Panel**.

**13** Insert **Stone Bolt** and **Nut** in middle hole where ribs overlap.

**14** Secure **Front Roof Panels** to **Gables** using six (6) **Vanilla Bolts** and **Nuts** per **Gable** as shown below.

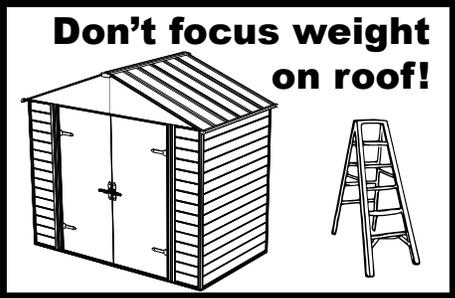
**15** Fasten the lower end of the **Roof Panels** to the **Side Wall Angles** using four (4) **Stone Screws** per **Panel**.



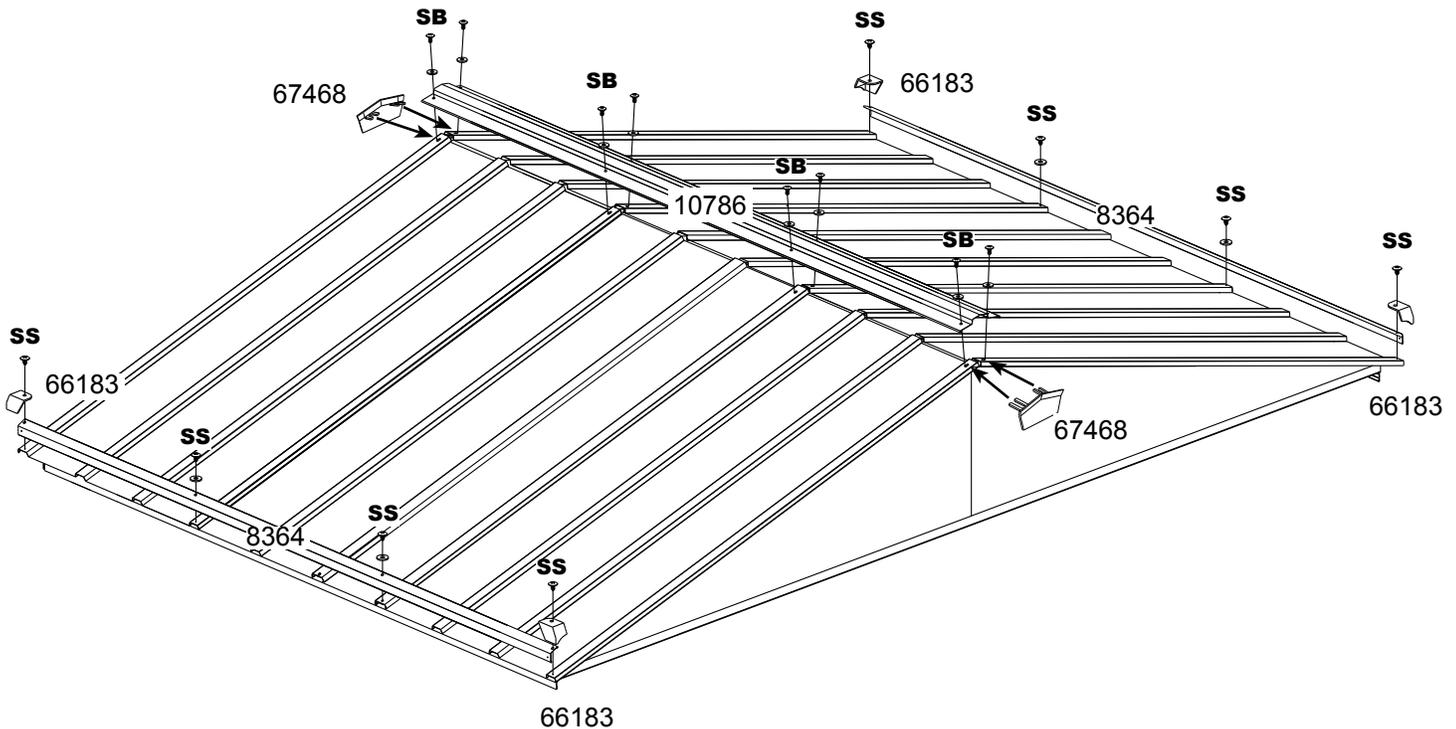
# Step 18: Ridge Cap/Roof Trim

You will need for this page:

<p><b>SS</b> (QTY: 4)</p>	<p><b>SB</b> (QTY: 4)</p>	<p><b>10786</b> <b>1</b> Ridge Cap</p>	<p><b>8364</b> <b>2</b> Side Roof Trim</p>	<p><b>66183</b> <b>2</b> Left Corner Cap</p>	<p><b>66183</b> <b>2</b> Right Corner Cap</p>	<p><b>67468</b> <b>2</b> Peak Cap</p>
<p><b>SB</b> <b>SS</b> (QTY: 8)</p>						

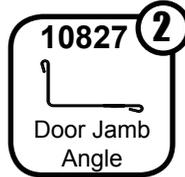
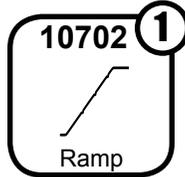
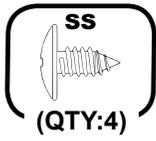
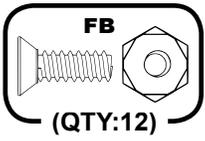


- 1** Fully tighten **Bolts** and **Nuts** on **Roof Beams**.
- 2** Install **Peak Caps** and **Ridge Cap** using eight (8) **Stone Bolts** and **Nuts** as shown.
- 3** Install **Side Roof Trim** and **Right** and **Left Corner Caps** using eight (8) **Stone Screws** as shown.



# Step 19: Door Installation

You will need for this page:



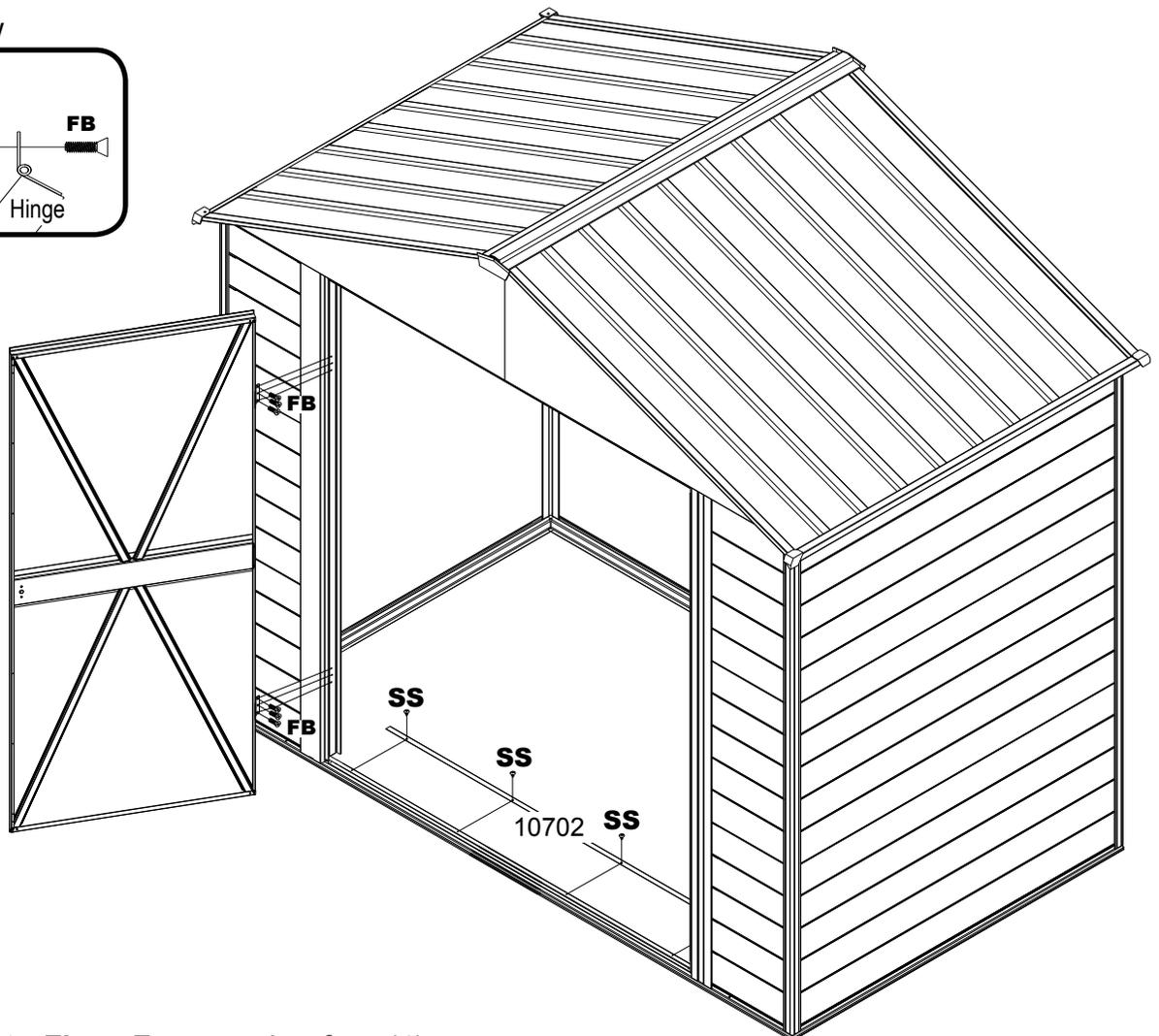
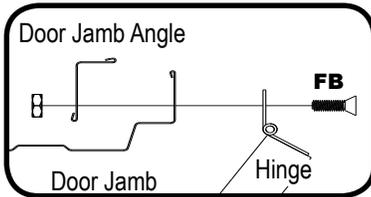
Assemblies from step 5:

- Right Door Assembly (1)
- Left Door Assembly (1)

**NEED AT LEAST TWO PEOPLE TO PERFORM THIS STEP!**

- 1** Place the **Door Jamb Angles** behind the **Door Jambs**. Using three (3) **Flat Head Bolts** and **Nuts** per **Door Hinge**, secure **Doors** and **Door Jamb Angles** to **Door Jambs**.

End View



- 2** Fasten **Ramp** to **Floor Frame** using four (4) **Stone Screws**.

# ANCHORING OPTIONS...

## **IMPORTANT:**

- *If you have swing doors, they must hang and swing level before anchoring building.*
- *Anchor your building at this time. See below for details on anchoring.*
- *If you have purchased a Floor Frame Kit, you should install it at this time.*
- *Please take a moment to ensure that the building is installed in accordance with these instructions and with all applicable regulations.*

## Anchoring Down The Building

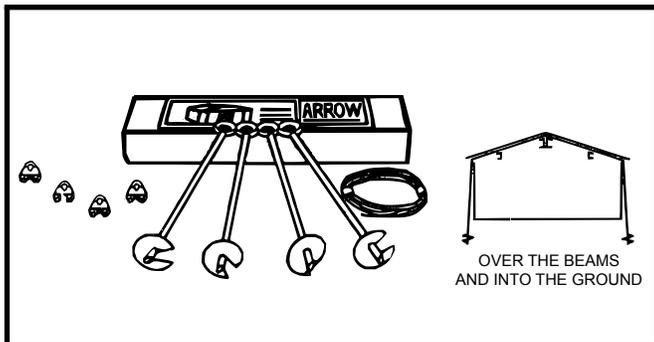
The entire floor frame **MUST** be securely anchored once the building is erected.

Below are recommended ways of anchoring.

### **Arrow Anchoring Kit:** (Model No. AK4 or 60298)

Recommended for use with **any** suggested **base**.

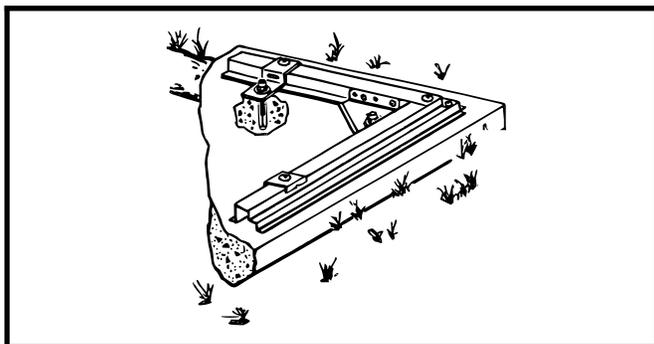
**Contains:** 4 Anchors with Cable, Clamps and installation instructions.



### **Arrow Anchoring Kit:** (Model No. AK100 or 68383)

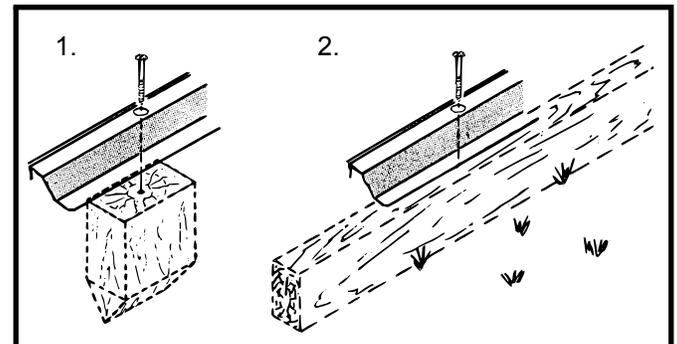
Recommended for use with the **concrete** base.

**Contains:** Corner gussets, perimeter clips, hardware, 1/4" masonry drill bit and installation instructions.



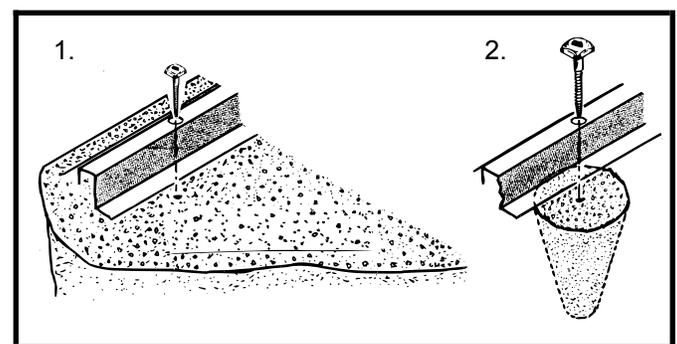
### **Anchoring into Wood/Post:**

Use 1/4" (6 mm) Wood Screws. There are 1/4" (6 mm) dia. holes provided in the frames for proper anchoring.



### **Anchoring into Concrete:**

1. For poured concrete slab or footing or patio blocks: Use 1/4" x 2" (6 mm x 51 mm) Lag Screws.
2. For Anchor Post of Concrete poured after building is erected: Use 1/4" x 6" (6 mm x 152 mm) Lag Screws.



An Anchor Kit may be purchased online at [www.arrowsheds.com](http://www.arrowsheds.com)  
You can also purchase one over the phone by calling 1-800-851-1085.  
See accessories page for details.

# CARE & MAINTENANCE...

## ***Exterior Care:***

For a long lasting finish, clean and wax the exterior surface. We recommend washing with a mild soap solution. DO NOT use power washing to clean your shed. Using a spray automotive type wax periodically on the exterior is highly recommended if you are in a high humidity or coastal climate region.

Combustibles and corrosives must be stored in air tight containers designed for chemical and/or combustible storage. Corrosive chemicals such as fertilizers, pesticides and herbicides should be cleaned off the interior and exterior surfaces immediately. Rust caused by chemical damage is not covered by the warranty.

## **DO NOT STORE POOL CHEMICALS IN YOUR SHED - THIS VOIDS YOUR WARRANTY**

Rust protection precautions may help to stop rust from developing, or stop it quickly as soon as it appears.

- Avoid nicking or scraping the coating surface, inside and out.
- Keep roof, base perimeter and door tracks free of debris and leaves which may accumulate and retain moisture. These can do double damage since they give off acid as they decay.
- Touch up scrapes or nicks and any area of visible rust as soon as possible. Make sure the surface is free of moisture, oils, dirt or grime and then apply an even film of high quality touch-up paint.
- Various paint manufacturers provide products for rust treatment and coverage. If surface rust does appear on your shed we recommend treating those areas as soon as possible, following the paint supplier of your choice instructions.
- Our customer service department can provide the paint tinting formula for matching the color of your shed. We also have touch-up paint available for repairing small nicks and scratches.

## ***Roof:***

Keep the roof clear of leaves and snow. Heavy amounts of snow on the roof can damage the building making it unsafe to enter. In snow country, Roof Strengthening Kits are available for most Arrow Buildings for added protection against heavy snow accumulation.

## ***Doors:***

For sliding doors, always keep door tracks clear of dirt and other debris that prevents them from sliding easily. Lubricate door track annually with furniture polish or silicone spray. Keep doors closed and locked to prevent wind damage.

## ***Fasteners:***

Use all washers supplied to protect against weather infiltration and to protect the metal from being scratched by the screws. Regularly check screws, bolts, nuts, etc., and retighten as necessary.

## ***General:***

- A plastic sheet (vapor barrier) placed under the entire floor area may reduce condensation.
- Wash off inked part numbers on coated panels with soap and water.
- Silicone caulking may be used for watertight seals throughout the building.

Please note, Manufacturer cannot be held responsible for any consequences due to buildings that are not installed per these instructions, or for damage due to weather conditions or acts of God.

**Keep these assembly instructions and owner's manual for future reference.**

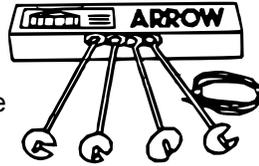
# ARROW ACCESSORIES...

## ANCHOR KITS

### Model No. AK4

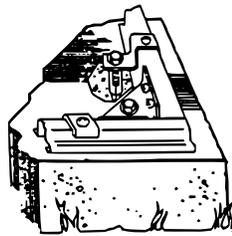
Anchor Kit contains heavy-duty steel augers, 60' (18 m) of steel cable and 4 cable clamps. No digging or concrete pouring, just insert cable under roof, over roof beams, into augers and twist augers into the ground. For buildings

larger than 10'x9' (3,0 m x 2,6 m), use 2 kits.



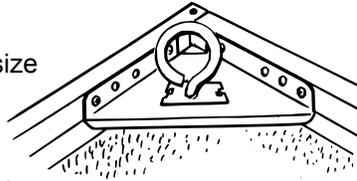
### Model No. AK100

New concrete anchor system permits anchoring any size Arrow building directly to a concrete slab. Each kit contains heavy-duty, hot-dipped galvanized steel corner gussets and perimeter clips which fit over the floor frame and lag bolt into a concrete slab. Full assembly instructions and a 1/4" masonry drill bit are included.



### Model No. AK600

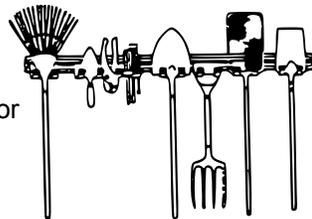
Earth Anchor Kit anchors any size Arrow building to the ground. Each kit contains heavy duty, hot-dipped galvanized steel corner gussets and 4 earth anchors.



## TOOL HANGING RACK

### Model No. TH100

The perfect tool organizer. Twin 25 1/2" (64,8 cm) steel channels plus five heavy-duty snap-in hangers and a small tool holder for screwdrivers, pliers, etc. Holders slide along channel for fully adjustable spacing. Great for garage, basement, or the back of any door. Fits all Arrow storage buildings.



## FLOOR FRAME KITS

MODELS FB47410, FB5465, FB106-A, FB109-A, FB1014-A, and FBSDS108

A simple floor frame system made of heavy-duty, hot-dipped galvanized steel. Use as base for plywood, sand or stone.

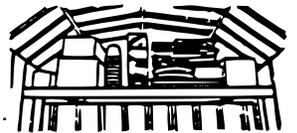


## ATTIC KIT / WORKBENCH KIT

### Model No. AT101

Heavy-duty galvanized steel bars that fit all 10' (3,0 m) wide Arrow buildings.

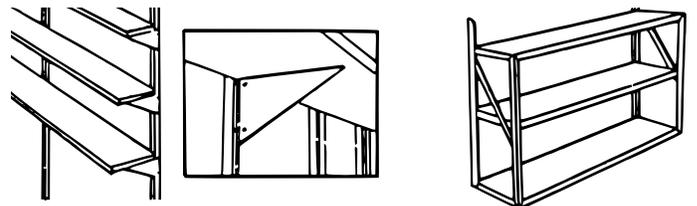
They install quickly and easily to help organize space and create more useable space as an attic or workbench. Will hold up to 250 lbs. (113 kg) evenly distributed.



Some drilling required to fit buildings without mid-wall bracing.

## SHELF UNITS

Heavy-duty, galvanized steel shelf units help organize storage space. They easily mount on the wall or sit on the floor. Fits all Arrow buildings.\*



Model No. SS404

- Makes 8" to 12" (20,3-30,5 cm) wide shelves in any length.
- Brackets, braces, hardware included.
- Lumber is not included.

Model No. SS900-A

- Grey color
- 3 shelves
- Holds up to 85 lbs. (38 kg) (even weight distribution)

\* Some drilling required to fit buildings without mid-wall bracing.

## SPECIAL NOTICE ON DELIVERY:

If your accessory is shipped via truck line a day time phone number is required to arrange delivery. If no one is available to sign for the delivery, you may be subject to a re-delivery charge assessed by the carrier.

## HOW TO ORDER

We recommend that you purchase accessory items from your local storage building dealer whenever possible; however, because the full line of accessories is not always available from all dealers, Arrow is offering them to you on a direct basis.

**Purchase Online at [www.arrowsheds.com](http://www.arrowsheds.com)**

**Purchase over the phone by calling 1-800-851-1085**

Most major credit cards accepted. Allow 2 weeks for Delivery.