

22x20x10 Peak Style

Model # 58432

Complete Garage/Shelter Includes: #107133(Basic Frame) ,
#117134(Cover Kit)

Please read instructions completely before assembly

	Description	Part #	Qty.
	Cross Rail Plain Ends 45"L	11105	10
	Extension 59.4"L	11068	24
	Straight Leg Tube 38"L	11019	8
	Cross Rail Swedged 50 1/2"L	11102	11
	Cross Rail Swedged 48 1/2"L	11103	1
	Cross Rail Plain End 46.6"L	11101	1
	Cross Rail Plain End 48.5"L	11104	2
	Corner Upright Leg	11016	4
	Side Bend Tube	11013	12
	End Top Bend	11136	2
	Middle Top Bend	11135	4
	Wind Brace 30"L	11095	4
	Wind Brace 54.2"L	11093	4
	All-Weather Cover	1A7134	1
	4-Way Cover Rail Clamp	11107	16
	3-Way Cover Rail Clamp	11106	8
	Bolt Cap	11150	24
	5/16"x 4" Round Head Bolt	11133	4
	5/16"x 4" Bolt	11132	8
	5/16"x 4 1/2" Bolt	11134	4
	5/16"x 2 3/4" Bolt	11131	60
	5/16"x 2 1/4" Bolt	11130	20
	5/16"x 2" Bolt	648	6
	5/16" Nuts	690	102
	Ratchet	10040	8
	Temporary 30"Auger Anchors Cable - 1"Lengths Cable Clamps	822	6
	Base Feet	11270	8
	Protective Corner Boots	800196	4



BASIC HAND TOOLS REQUIRED FOR ASSEMBLY:

- Adjustable Wrench
- Rubber Mallet

**ATTENTION:
BOLTS ARE NOT
NEEDED OR
INCLUDED FOR EVERY
CONNECTION BUT
MAY BE
PURCHASED BY CALLING
THE NUMBER BELOW.
FOR MISSING OR
REPLACEMENT PARTS
OR QUESTIONS
PLEASE CONTACT**

**CUSTOMER SERVICE:
1.800.524.9970**

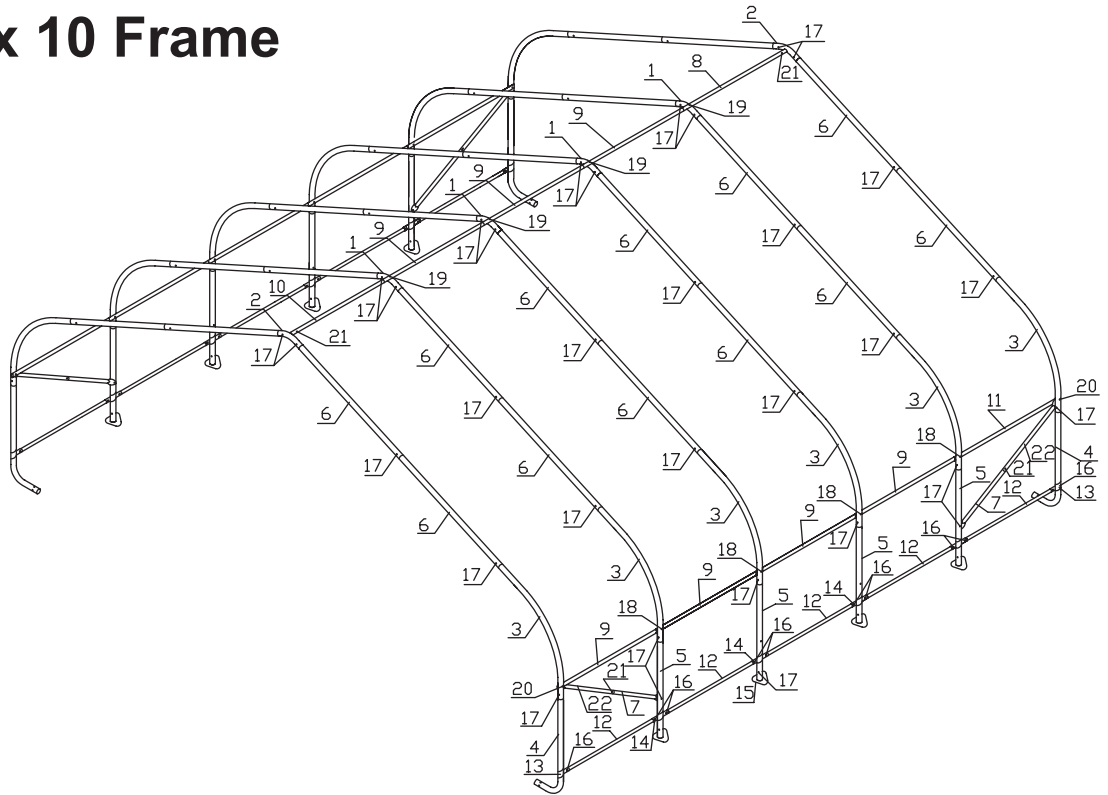


**150 Callendar Road
Watertown, CT 06795**

Frame Assembly Overview

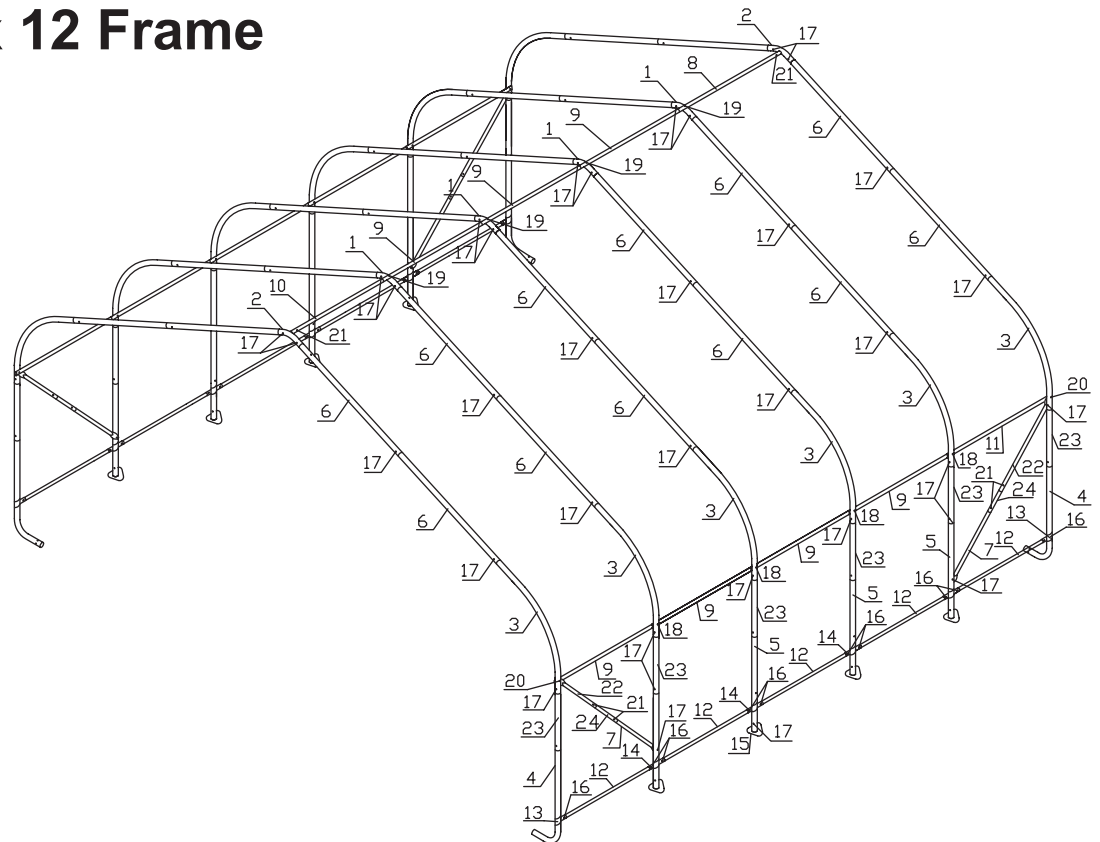
22 x 20 x 10 Frame

- 1: 11135
- 2: 11136
- 3: 11013
- 4: 11016
- 5: 11019
- 6: 11068
- 7: 11095
- 8: 11101
- 9: 11102
- 10: 11103
- 11: 11104
- 12: 11105
- 13: 11106
- 14: 11107
- 15: 11270
- 16: 11130
- 17: 11131
- 18: 11132
- 19: 11133
- 20: 11134
- 21: 648
- 22: 11093



22 x 20 x 12 Frame

- 1: 11135
- 2: 11136
- 3: 11013
- 4: 11016
- 5: 11019
- 6: 11068
- 7: 11095
- 8: 11101
- 9: 11102
- 10: 11103
- 11: 11104
- 12: 11105
- 13: 11106
- 14: 11107
- 15: 11270
- 16: 11130
- 17: 11131
- 18: 11132
- 19: 11133
- 20: 11134
- 21: 648
- 22: 11093
- 23: 04551
- 24: 800053

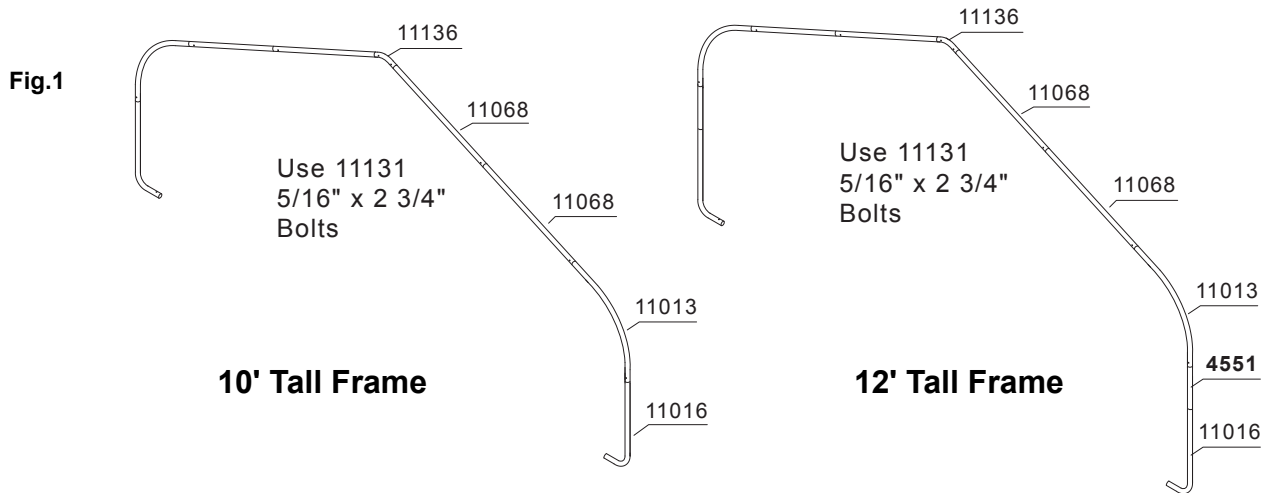


Basic Frame Assembly

STEP 1

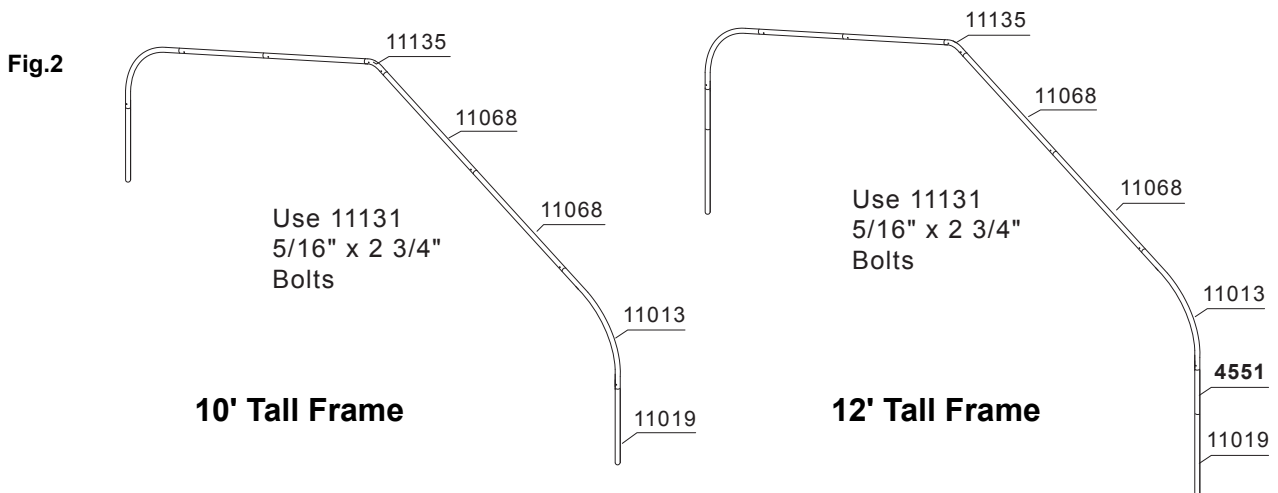
Fit together an end rib using the following parts, (Fig.1) (1) #11136 3-Way Top Connector, (4) #11068 Swedged Rafter Pole, (2) #11013 Side Bend Tube and (2) #11016 Bend Corner Leg. Using (8) 11131 5/16 X 2 3/4" bolts and (8) 690 5/16" nuts securely fasten the joints of all parts. Lay this rib on the ground at the rear of your shelters designated location. For a 12' tall building be sure to include the two foot extension pipe (4551).

NOTE: Be sure that all of the heads of the bolts are facing toward the outside of the rib.



STEP 2

Fit together the first middle rib using the following parts, (Fig.1) (1) #11135 Top Bend Tube, (4) #11068 Swedged Rafter Pole, (2) #11013 Side Bend Tube and (2) #11019 Swedged Upright Tube. Using (8) #11131 5/16 X 2 3/4" bolts and (8) #690 5/16" nuts. Securely fasten the joints of all parts. Lay this rib on the ground near the first end rib. For a 12' tall building be sure to include the two foot extension pipe (4551).



STEP 3

Assemble the wind braces as shown in the illustrations (Fig.3 & Fig.4).

Fig.3

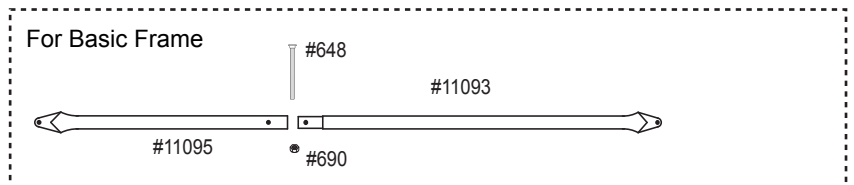
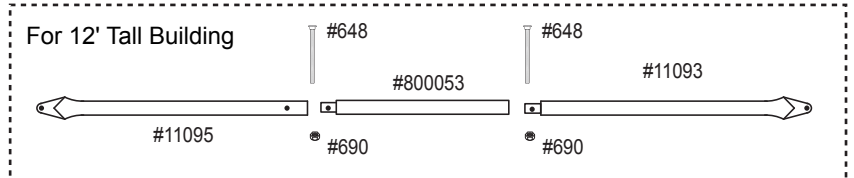


Fig.4



STEP 4

With help stand the first end rib vertically and lean against a permanent structure such as a tree or a fence (**Fig.5**). Attach the plain end of a #11102 horizontal tube and a wind brace assembly to the first rib using a #11134 5/16 X 4 1/2" bolt and a #690 5/16" nut on the INSIDE of the bow, on each side bend just above the joint of the side bend/extension (**Fig.6**). Repeat the same steps on opposite side.

Fig.5

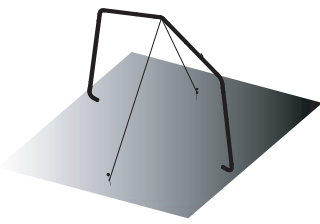
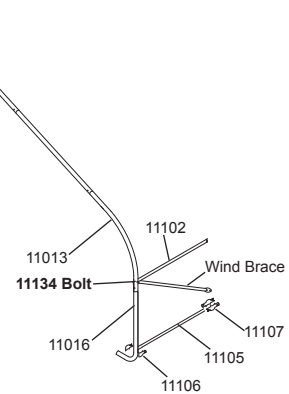


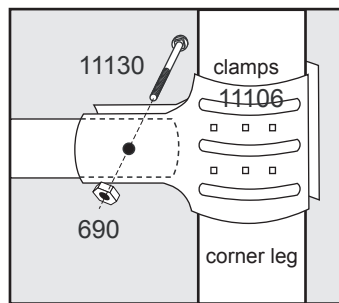
Fig.6



STEP 5

Place (2) #11106 3-Way Clamps around #11016 Bent Leg. Insert #11105 Cover Rail into the clamp and attach using a #648 5/16 X 2" bolt and #690 5/16" nut. Position the clamp about five inches above the ground and tighten the nut and bolt finger tight (**Fig.7**). Repeat the same steps on opposite side.

Fig.7



STEP 6

With help position the first middle rib about four feet from the first end rib. While one person holds the middle rib vertical the other person should raise the previously installed #11102 cross rail and place another #11102 over each of the previous. Raise the two rails so they are horizontal and attach to the middle cross rail using a #11132 5/16 X 4" bolt and a #690 5/16" nut. Attach a #11107 4-Way Clamp to the end of the (2) cover rail tubes using a #648 5/16 X 2" bolt and a #690 5/16" nut. (**Fig.8**) Place the clamp around the middle leg and insert a #11105 cover rail into the opposite side of the clamp and attach with a #648 5/16 X 2" bolt and a #690 5/16" nut. Position the clamp about five inches above the ground and tighten finger tight. Raise the cross brace to the middle rib and attach it to the rib using a #11131 5/16 X 2 3/4" bolt and a #690 5/16" nut, (**Fig.9**) Repeat these steps for the opposite side.

Repeat the cross rail installation for the remaining middle legs.

Fig.8

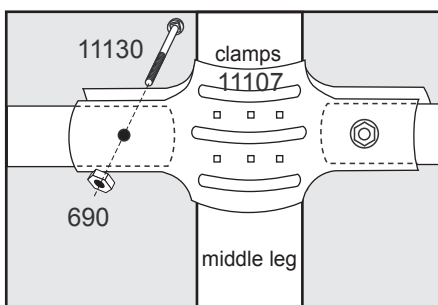
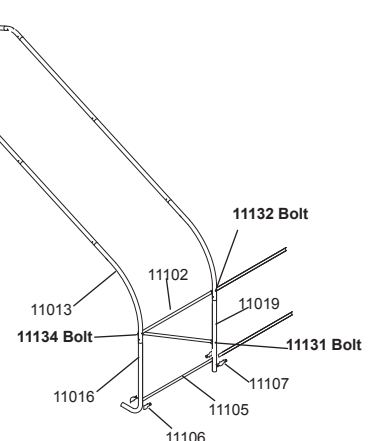


Fig.9



STEP 7

Install the other end rib as you had installed all the middle ribs only use #11104 crossrails and attach the sliding crossrail using the remaining 3-way coverrail clamps.

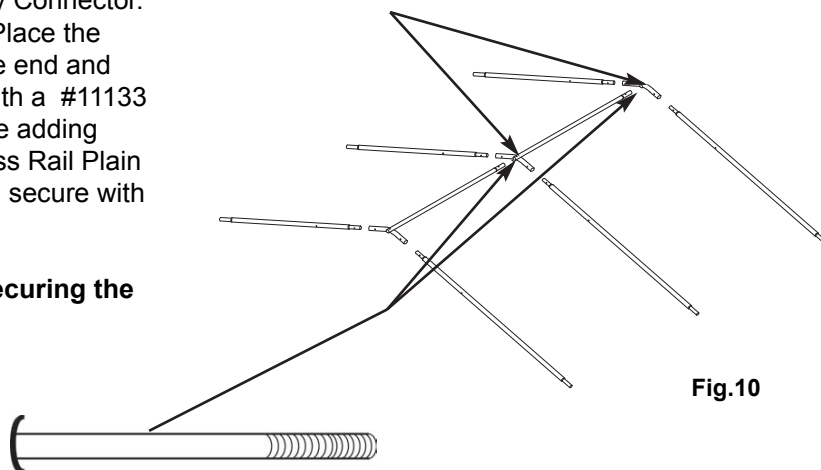
Note: The final windbrace assemblies should be installed as shown. Be sure the upper of the windbraces are installed between the rib and crossrail

Step 8 Installing Top Rail

Install the top cross rail assembly starting with #11103 Cross Rail Swedged 48 1/2"L inserted into the End 2-Way Connector. Secure with a #648 5/16 X 2" bolt and #690 nut. Place the plain end of a #11103 Cross Rail Swedged over the end and put the joint on the top of the middle rib. Secure with a #11133 5/16 X 4" Round Head Bolt and #690 Nut. Continue adding #11102 Cross Rails and finish with the #11101 Cross Rail Plain End inserted into the last end 3-way connector and secure with a #648 5/16 X 2" bolt and #690 nut. (Fig.10)

NOTE: Use the special Round Head Bolts for securing the top rail to the middle ribs only!!!

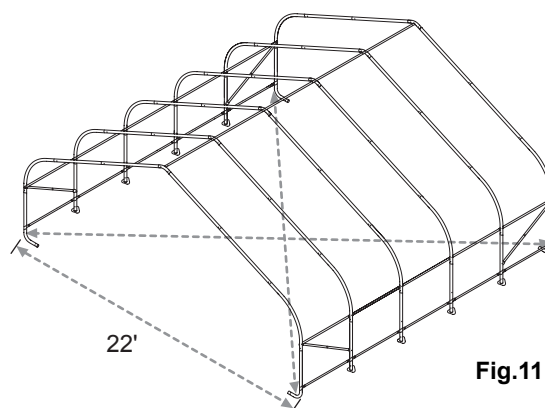
Install the Top Rail
Over all Middle Ribs



Step 9 SQUARING THE SHELTER

Check that the shelter's width is correct from the outside to outside of the uprights at ground level. Check also that the shelter is square by measuring diagonally from corner to corner at ground level. (Fig.11)

The two measurements must be within 2 inches of each other.



STEP 10 ATTACHING & SECURING BASE FEET

Depending on the model you have purchased, your base feet will either fit onto the outside of the leg poles, or slide inside the leg poles. After installing Base Feet Plates onto bottom of Middle leg Poles, be sure to line up the pre-drilled hole in the leg with the pre-drilled hole in the base foot. Insert 5/16" x 2 3/4" bolts all the way through leg and foot, to other side, secure with nuts. (Fig.12)

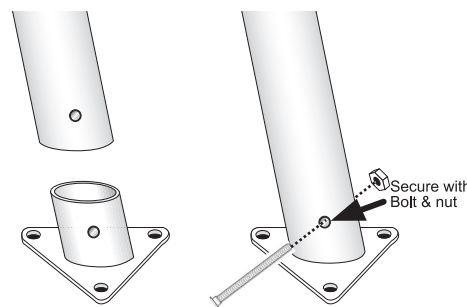


Fig.12

STEP 11 INSTALLING AUGER ANCHORS

Using a 3/4" pipe or steel rod, (a car tire iron works also) placed through the eyelet on the auger, screw it into the ground. Start at the four corners of the unit and space the remainder out evenly. Be sure to screw the anchor in fully (the eyelet should be a level where it can be securely attached to the frame). Wrap the cable provided through the eyelet of the anchor and around the frame. Secure the cable with the clamp(s) provided. (Fig.13)

WARNING:

DO NOT INSTALL THE END PANELS OR COVER ON THE SHELTER UNTIL IT HAS BEEN PROPERLY ANCHORED.

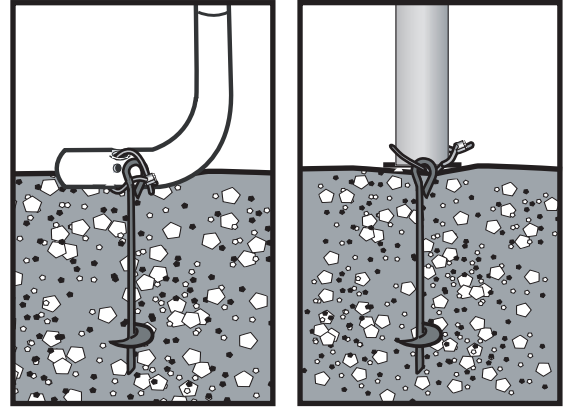


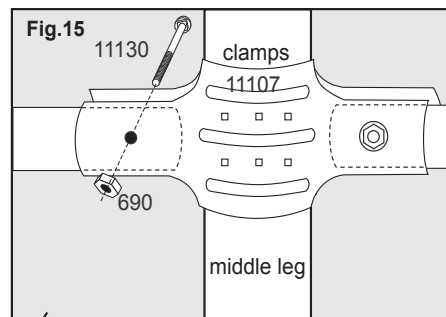
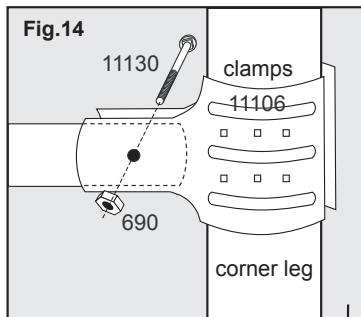
Fig.13

Step 12 Securing Your Cover

Pull the cover over the frame. The welded in webbing should be on the front and back of the building. Also note that the pocket with the cutouts running along the sides of the cover should be on the inside and near the ground. Install the "S" hooks from the ratchet assemblies into the legs of the shelter. Pull the webbing carefully to remove slack from the cover. Be careful not to pull the webbing through the opposite side. Insert the webbing into the spindle of the ratchet and pull tight. Wind the ratchet enough so that the webbing overlaps itself. Repeat the process of tightening one side and then the other until the cover is as tight as possible and still even on the rib.

NOTE: The logos should be horizontal and about 5' above the ground on the outside of the garage.

After the cover is tight end to end remove the 45" cover rails. Insert the cover rails into the pockets of the cover. Re-clamp the rails to the ribs with the 3-way (Fig.14) and 4-way (Fig.15) clamps. Check that the rails are evenly spaced above the ground on both sides. (Fig.16) Push down the connectors, one at a time, to tension the cover. Tighten the bolts to hold tightly.



Outside Corner View



** The ratchets should be checked monthly to make sure the cover is tight. (Fig.17)*

Fig. 17

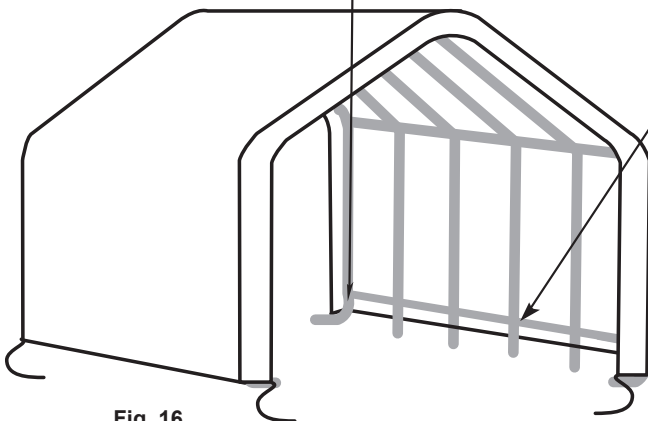
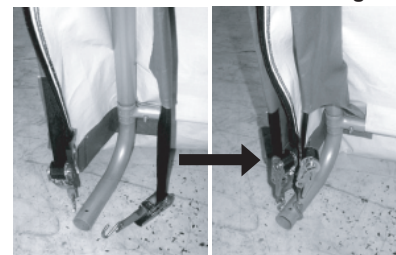


Fig. 16



STEP 13 ATTACHING THE PROTECTIVE BOOTS

Find the open side of the Protective Boot and open it. Insert the foot of the Corner Leg into the Protective Boot. When the foot is all the way in the boot insert the top edge of the boot into the hem of the cover (Fig 18). When complete, secure the hook & loop fastener on the open side of the boot to close the boot.

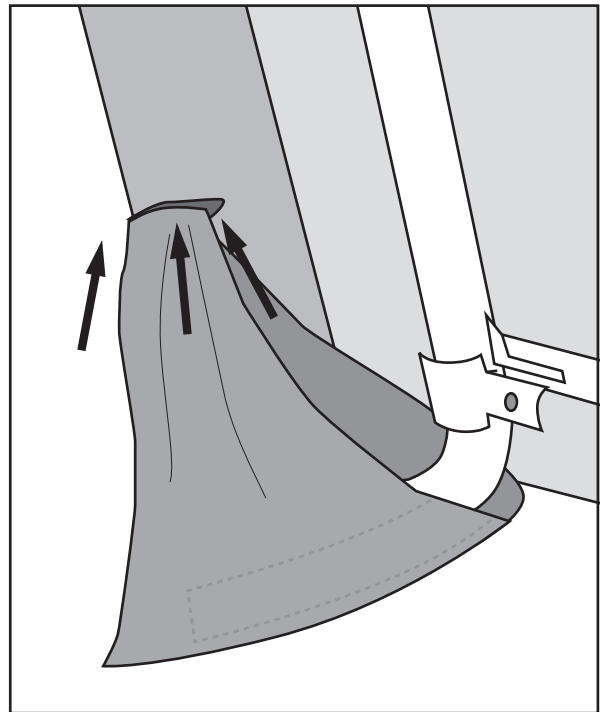


Fig. 18

WARNINGS, CAUTIONS, CARE & CLEANING

WARNING

Prior to installation, consult with all local and municipal codes regarding the installation of temporary shelters. Choose the location of your shelter carefully. Check for overhead utility lines, tree branches or other structures. Do NOT install near roof lines or other structures that could shed snow, ice, or excessive run-off onto your shelter. Do NOT hang objects from the roof structure or support cables. Do NOT smoke or use open flame devices in or around the shelter. Do NOT store flammable liquids (gasoline, kerosene, propane, barbeque grills, fire pits, deep fryers or smokers inside the shelter. Do NOT use hard edged tools or instruments like rakes or shovels to remove snow. This could result in punctures in the cover.

CAUTION

This product is classified as a temporary fabric shelter and is intended to protect what is stored in it against basic environmental elements, including the effects of sun, rain, tree sap, bird and animal excrement and light snow. It is NOT designed to hold the loads from high winds, heavy snow or ice storms. Proper anchoring is the responsibility of the consumer. Please read and understand the installation details and warnings prior to final and permanent installation. If you have any questions, call the customer service number listed on Page 1. Any shelter that is not anchored securely and properly has the potential to fly away. ShelterLogic cannot be responsible for any shelter that blows away. NOTE: Your shelter's cover can be quickly removed and stored prior to severe weather conditions. If strong winds or severe weather is forecast in your area, we recommend that you remove the cover.

CARE & CLEANING

A tight cover will ensure longer life and performance. Inspect and retighten the ratchet tie-downs monthly as needed. Always maintain a tight cover. Loose fabric can accelerate deterioration of the cover. Immediately remove any accumulated snow or ice from the roof structure with a broom, mop or other soft sided instrument. Do NOT use "protect and shine" or harsh or abrasive products to clean the fabric cover. Mild soap and water is recommended to clean the fabric cover of your shelter.



**150 Callender Road
Watertown, CT 06795**

For Replacement Parts or Help with assembly, Please call:

Customer Service:

1-800-524-9970

8am-7pm

Mon-Sat EST