



SAMSUNG TECHWIN

Protect your asset

960H All-In-One Security Kit

SDS-P4042

8 Channel 960H DVR Security System

DVR

- 960H real-time monitoring & recording
- Built-in 500GB hard disk drive (SATA)
- View from anywhere : Android, iPhone, iPad, PC, Mac
- Support network monitoring without LAN cable connection to Router (Wi-Fi ready)

Camera

- 720TV lines of high resolution camera* (x 4)
- True Day & Night with ICR for perfect color reproduction
- IP66 weather resistant rating
- Night vision up to 82ft (25m)

* SDC-7340BCN : 720TV lines / SDC-7340BCP : 700TV lines

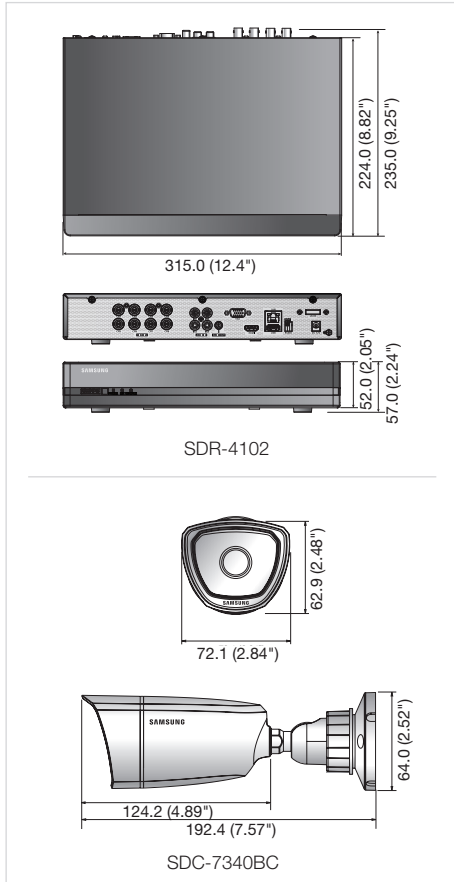


SDS-P4042



Dimensions

Unit : mm (inch)



Kit Contents

- DVR (SDR-4102)
- Camera (SDC-7340BC) 4pcs
- Remote Control / Battery / Mouse
- Adapter / Power Cord
- 60ft BNC Camera Cable 4pcs
- CD (Smart Viewer, User Manual)
- Quick Guide / Network Cable
- HDMI Cable

		SDR-4102N	SDR-4102P
DISPLAY			
Video	Inputs	8 composite video	
	Resolution	960 x 480, 720 x 480	960 x 576, 720 x 576
	Frame Rate	240fps	200fps
Live	Resolution	960 x 480	960 x 576
	Multi Screen Display	1 / 4 / 6 / 8 / 9 / Sequence / PIP	
PERFORMANCE			
Operating System	Embedded	Linux	
	Compression	H.264	
Recording	Record Rate	Up to 240fps@960 x 480 Up to 240fps@704 x 480 Up to 240fps@704 x 240 Up to 240fps@352 x 240	Up to 200fps@960 x 576 Up to 200fps@704 x 576 Up to 200fps@704 x 288 Up to 200fps@352 x 288
	Mode	Manual, Schedule (Continuous / Event), Event (Pre / Post), Time lapse (1~30 fps)	Manual, Schedule (Continuous / Event), Event (Pre / Post), Time lapse (1 ~ 25fps)
	Event	Video loss, Motion (Sensitivity level 1 ~ 10), Tampering	
Search & Playback	Overwrite Modes	Stop / Continuous	
	Pre-alarm	Off / 5sec	
	Post-alarm	Up to 6hour (5,10, 20, 30sec, 1, 3, 5, 10, 20min, 1, 2, 3, 4, 5, 6hour)	
Network	Search Mode	Date/Time, Event, Back up, Motion	
	Playback Function	Fast forward / backward, Slow forward / backward, Step forward / backward	
	Transmission Speed	960H / 4CIF / 2CIF / CIF (240fps)	960H / 4CIF / 2CIF / CIF (200fps)
Smart Phone	Bandwidth	Up to 16Mbps, 2 / 1.5 / 1Mbps / 800 / 600 / 500 / 400 / 300 / 200 / 100 / 50kbps	
	Bandwidth Control	Automatic	
	Live Stream	H.264 (4CIF / 2CIF / CIF selectable)	
Storage	Max. Remote Users	10 persons (Search up to 3 / Live unicast / Live multicast available)	
	Protocol Support	TCP/IP, DHCP, PPPoE, SMTP, NTP, HTTP, DDNS, RTP, RTSP, SNMP	
	Monitoring	SmartViewer, Webviewer, Mobile Viewer	
Security	Web / App viewer	Supported OS - PC : Windows XP / VISTA / 7 / 8, MAC OS X 10.7 / 10.9 - Mobile : Android OS v2.3.5, v4.0.3, v4.1.2, 4.2, v4.3 / iOS OS v5.1.1, v6.0, v6.0.2, v6.1, v7.0 Supported Browser - Microsoft Internet Explorer (Ver. 11, 10, 9, 8, 7), Mozilla Firefox (Ver. 19, 18, 17, 16, 15, 14, 13, 12, 11, 10, 9), Google Chrome (Ver. 25, 24, 23, 22, 21, 20, 19, 18, 17, 16, 15), Apple Safari (v5.1, v6.1, v7.0) (Mac OS X only - 10.9, 10.8, 10.7)	
	Protocol Support	RTP, RTSP, HTTP, CGI	
	Max. Remote Users	Live 1	
Storage	Internal HDD	1 SATA HDD (500GB)	
	External (e-SATA Interface)	1 e-SATA I/F	
	USB (Back up)	2 USB ports (1 front / 1 Back)	
Security	File Format (Back up)	BU (DVR player), EXE (Include player), AVI	
	Password Protection	1 Admin, 10 Group, 10 User per 1 group	
Data Authentication	Watermark		
	INTERFACE		
Monitors	VGA / HDMI	1 VGA (1280 x 720, 1280 x 1024, 1920 x 1080) / 1 HDMI (1280 x 720, 1280 x 1024, 1920 x 1080)	
	Simultaneous Output	VGA and HDMI	
Audio	Inputs / Output	4CH line in / 1CH line out	
	Compression	G.711	
Alarm	Remote Notification	Notification via e-mail	
	Ethernet	1 RJ-45 10/100 Base-T	
Connections	Serial Interface	RS-485	
	USB / e-SATA	USB 2.0, 2 ports (Front / Rear) / 1 External SATA port	
	Wi-Fi	Optional with Samsung USB WiFi adapter	
Application Support	Mouse, Remote controller		
	Protocol Support	Samsung-T/E, Pelco-D/P, Panasonic, Phillips, AD, VICON, GE	
GENERAL			
Electrical	Input Voltage / Current	12V DC adaptor, 100 ~ 240V AC ±10%, 50/60Hz	
	Power Consumption	Max. 36W (With 1x HDD)	
Environmental	Operating Temperature / Humidity	+0°C ~ +40°C (+32°F ~ +104°F) / 20% ~ 85% RH	
	Dimensions (WxHxD)	315.0 x 52.0 x 224.0mm (12.4" x 2.05" x 8.82")	
Mechanical	Weight (With hard disks)	Approx. 1.56kg (3.44 lb)	
	Language	Korean, Japanese, Chinese (Simplified), English, French, German, Spanish (European), Italian, Russian, Polish, Czech, Turkish, Dutch, Portuguese (South American), Swedish, Danish, Thai, Romanian, Serbian, Croatian, Hungarian, Greek, Chinese (Traditional), Finnish, Norwegian (25 Language)	
		SDC-7340BCN	SDC-7340BCP
VIDEO			
Imaging Device	Imaging Device	1/3" 960H CMOS	
	Effective Pixels	976(H) x 494(V)	976(H) x 582(V)
Scanning System	Scanning System	Interlace	
	Frequency	H : 15.734KHz / V : 59.94Hz	H : 15.625KHz / V : 50Hz
Horizontal Resolution	Horizontal Resolution	720TV lines	
	Min. Illumination	Color : 7Lux, B/W : 0Lux (IR LED on)	
S / N Ratio	S / N Ratio	46dB	
	Min. Cable Length	60ft (18.3m) included	
LENS			
Focal Length / Max. Aperture Ratio	Focal Length / Max. Aperture Ratio	3.8mm / F2.0	
	Angular Field of View	H : 60° / V : 48° / D : 72°	
OPERATIONAL			
Shutter Mode / Gain Control	Shutter Mode / Gain Control	Auto (Rolling shutter) / Auto	
	White Balance / Digital Noise Reduction	Auto (1,800°K ~ 10,500°K) / Auto	
Day & Night / IR Distance (850nm)	Day & Night / IR Distance (850nm)	Mechanical : Auto (ICR) / 82ft (25m)	
	ENVIRONMENTAL		
Operating Temperature / Humidity	Operating Temperature / Humidity	-10°C ~ +50°C (+14°F ~ +122°F) / 20% ~ 85%RH	
	Storage Temperature / Humidity	-20°C ~ +60°C (+4°F ~ +140°F) / 20% ~ 85%RH	
Ingress Protection	Ingress Protection	IP66 grade	
	ELECTRICAL		
Input Voltage / Power Consumption	Input Voltage / Power Consumption	12V DC / Max. 3W	
	MECHANICAL		
Color / Material	Color / Material	White, Silver gray / Plastic (Poly carbonite)	
	Dimensions (WxHxD) / Weight	72.1 x 62.9 x 192.4mm (2.84" x 2.48" x 7.57") / 252g (0.55 lb)	

Design and specifications are subject to change without notice.



The Eco mark represents Samsung Techwin's will to create environment-friendly products, and indicates that the product satisfies the EU RoHS Directive.

SAMSUNG TECHWIN CO., LTD.

6, Pangyo-ro 319beon-gil, Bundang-gu, Seongnam-si, Gyeonggi-do, SEOUL 463-400 Rep. of KOREA
Tel : +82-70-7147-8741~8749, 8752~8760 Fax : +82-31-8018-3745 www.samsungsecurity.com www.samsungcctv.com
COPYRIGHT BY SAMSUNG TECHWIN. ALL RIGHT RESERVED

SAMSUNG TECHWIN AMERICA INC.
100 Challenger Rd. Suite 700 Ridgeland Park, NJ 07660
Toll Free : +1-877-213-1222 Direct : +1-201-325-6920
Fax : +1-201-373-0124

SAMSUNG TECHWIN EUROPE LTD.
2nd Floor, No. 5 The Heights, Brooklands, Weybridge, Surrey, KT13 0NY, UK
Tel : +44-1932-82-6700 Fax : +44-1932-82-6701

SHANGHAI SAMSUNG TECHWIN CO., LTD.
32F, Blk B, International Business Center, No. 391 Guiping Rd., Shanghai, China, 200233
Tel : +86-21-5427-1155 Fax : +86-21-5423-5122



SAMSUNG TECHWIN