

# RF28HMELBSR

28 cu. ft. 4-Door Refrigerator with 8" Wi-Fi Enabled LCD and Counter-Height FlexZone™ Drawer

## Features

- Large Capacity – 28 cu. ft.
- 8" Wi-Fi Enabled LCD
- FlexZone™ Drawer with 4 Temperature Control Settings and Smart Divider
- Twin Cooling Plus™
- ENERGY STAR® Compliant
- Ice Master Ice Maker in the Refrigerator
- Premium External Filtered Water and Ice Dispenser
- High-Efficiency Top and Side LED Lighting
- Smart Grid
- Adjustable Shelf for Tall Oversized Items
- Stainless Steel Accents on Interior Shelving and Door Bins
- EZ-Open Handle™ on Freezer Door and FlexZone™ Drawer
- Two Humidity-Controlled Crispers
- Tempered Glass Spill-Proof Shelves
- Gallon Door Bins
- Auto Pull-Out Upper Freezer Drawer
- Easy-to-Access Water Filter

## Convenience

- Cool Tight Door
- Water Filter Indicator
- Door Alarm



**ENERGY STAR® Rated:** CEE Tier 1  
(10% more efficient than Federal Standard)  
722 kWh/yr



**Ranked "Highest in customer satisfaction with French Door refrigerators, in a tie."\***

—J.D. Power



Ice Master



FlexZone™ Drawer

## Available Color



Stainless Steel

## Signature Features

### 8" WI-FI ENABLED LCD

- Enables Web browsing and easy access to apps, right on the refrigerator door.

### KEEPS YOUR FOOD AND FAMILY ORGANIZED

- Adjustable Smart Divider creates four flexible-size compartments.
- Four settings from Chill to Soft Freeze: meats at 29°F, cold drinks at 33°F, deli/snacks at 37°F, and party dishes at 42°F.
- Easy access for kids with counter-height drawer.

### LARGE CAPACITY

- Our 28 cu. ft. large capacity 4-Door has enough room to fit up to 28 bags of groceries.<sup>1</sup>

<sup>1</sup> Grocery comparison based on each cubic foot of usable space equaling one paper bag.

**SAMSUNG**

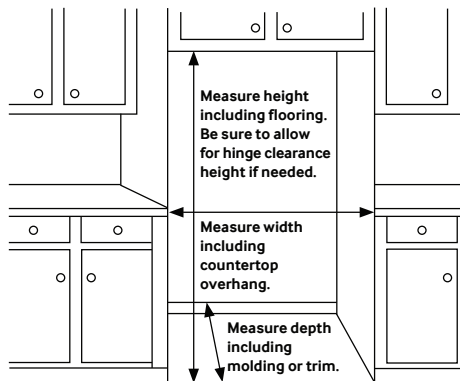
# RF28HMELBSR

28 cu. ft. 4-Door Refrigerator with 8" Wi-Fi Enabled LCD and Counter-Height FlexZone™ Drawer

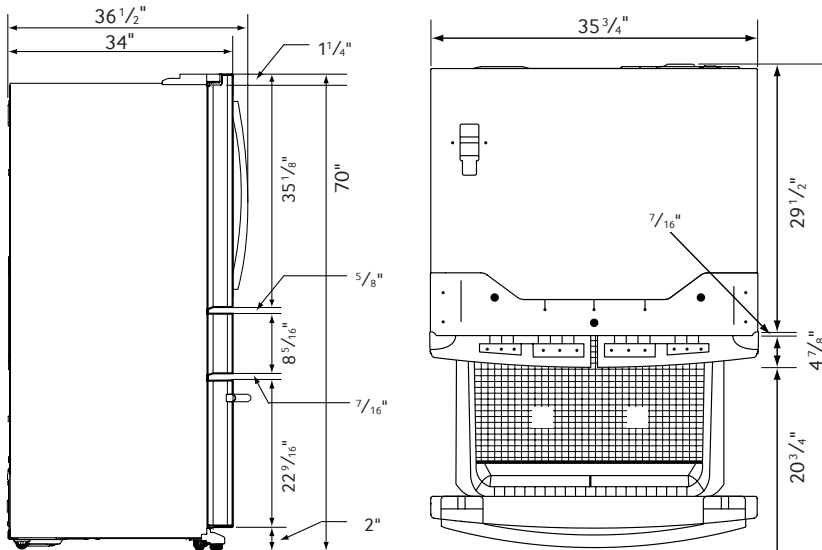
## Installing Your Refrigerator

1. Measure the height, width and depth of the opening, making sure to include baseboards, molding tile, countertop overhang, etc. Check to be sure there is enough room to open the door (consider walls, islands or other obstacles when measuring).
2. Refer to illustration below to determine dimensions.
3. Allow 2" of clearance on hinge side of refrigerator when installing next to a wall where handle may make contact.
4. Allow 1" minimum clearance at rear for proper air circulation and water/electrical connections. Allow a 3/8" minimum clearance at sides and top for ease of installation.
5. Ensure each door and entry way in the home is wide enough for the refrigerator to be moved through easily.

Please note: The following dimension and cutout information is for planning purposes only. For complete installation details consult manual packed with product, or download manual on-line at [samsung.com](http://samsung.com).



## Dimensions



## Total Capacity: 28.15 cu. ft.

### Refrigerator: 15.98 cu. ft.

- Premium External Filtered Water and Ice Dispenser – Crushed or Cubed Ice
- Ice Master Ice Maker
- 2 Humidity-Controlled Crispers
- 5 Tempered Glass Spill-Proof Shelves
- Adjustable Shelf for Tall oversized Items
- 6 Clear Door Bins
  - Right Door: 3 Gallon Bins
  - Left Door: 3 Regular Bins
- High-Efficiency Top and Side LED Lighting

### FlexZone Drawer: 3.82 cu. ft.

- EZ-Open Handle™
- 4 Temperature Settings with Smart Divider:
  - Meat/Fish (29°F)
  - Cold Drinks (33°F)
  - Deli/Snacks (37°F)
  - Wine/Party Dishes (42°F)

### Freezer: 8.35 cu. ft.

- EZ-Open Handle
- 1 Drawer Divider
- High-Efficiency LED Lighting

## Accessories

Water Filter: HAF-CIN

## Warranty

One (1) Year Parts and Labor on Refrigerator

Five (5) Years Parts and Labor on Sealed Refrigeration System Only\*

Ten (10) Years Parts and Five (5) Years Labor on Digital Inverter Compressor

\*Compressor, evaporator, condenser, drier, connecting tubing

## Product Dimensions & Weight

Dimensions (WxHxD with hinges, handles and doors): 35 3/4" x 70" x 36 1/2"

Dimensions (WxHxD without hinges and door): 35 3/4" x 68 7/8" x 29 1/2"

Dimensions (WxHxD with hinge and door, no handle): 35 3/4" x 70" x 34"

Weight: 374 lbs.

## Shipping Dimensions & Weight (WxHxD)

Dimensions: 38 1/4" x 76 5/8" x 36 7/8"

Weight: 403 lbs.

Color	Model #	UPC Code
Stainless Steel	RF28HMELBSR	887276966113

**SAMSUNG**

\*Samsung received the highest numerical score for French door refrigerators in a tie in the proprietary J.D. Power 2014 Kitchen Appliance Study<sup>SM</sup>. Study based on 15,380 total responses measuring 10 French door refrigerator brands and measures opinions of consumers about their new appliance purchased in the past 24 months. Proprietary study results are based on experiences and perceptions of consumers surveyed in January-March 2014. Your experiences may vary. Visit [jdpower.com](http://jdpower.com).

Actual color may vary. Design, specifications, and color availability are subject to change without notice. Non-metric weights and measurements are approximate.

©2014 Samsung Electronics America, Inc. 85 Challenger Road, Ridgefield Park, NJ 07660. Tel: 800-SAMSUNG. [samsung.com](http://samsung.com). Samsung is a registered trademark of Samsung Electronics Co. Ltd.