

DW80J7550US

Samsung Dishwasher

Features

- WaterWall™ System
- Zone Booster
- Quiet Operation: 44dBA
- Express Cycle: 60 Minutes
- Half-Load Cycle: Lower Rack
- One-Touch Adjustable Racking System
- ENERGY STAR® rated: 258 kWh/Year
- Hidden Heating Element
- Triple Filtration System
- Electronic Touch Sensor
- 3 Spray Wash Arms (Upper, Middle, Lower)
- 5 Wash Cycles and 5 Wash Options
- Fan Condensing Drying System
- 2-Piece Silverware Basket
- Stainless Steel Interior

Convenience

- Child Lock
- Rinse Refill Indicator
- Last Cycle Memory
- Four Sensors (Digital Water Leakage, Water Fill, Overflow, Turbidity)



WaterWall™ System



Zone Booster



Available Colors



Stainless Steel



Black Stainless Steel



White

Signature Features

WATERWALL™ SYSTEM

- Powerful wall of water cleans hard-to-reach places.
- Ensures more even, thorough washing performance than conventional rotary-spraying systems.

ZONE BOOSTER

- Offers flexibility to wash all types of dishes in one load.
- Select to wash right or left zone on the bottom rack.
- Lower temperature and pressure for delicates.

EXPRESS 60

- Clean dishes with greater speed and efficiency with a 60 minute cycle.
- Ideal for lighter loads of cups, cutlery, bowls and plates.

QUIET SOUND

- Quietest in its class.*
- Removable, flexible tray for easy loading and unloading.

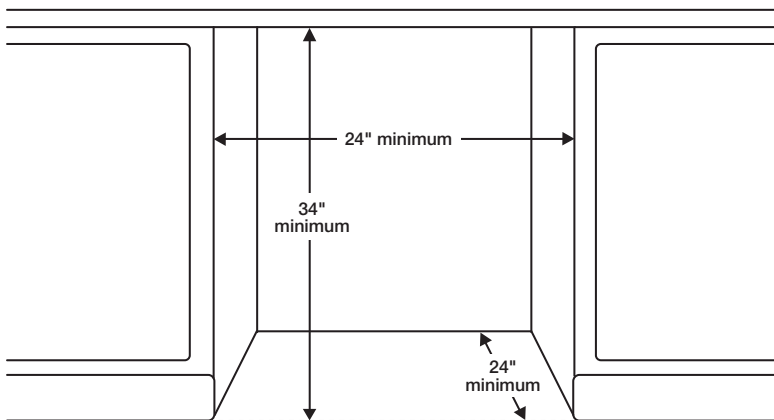
*Based on MSRP.

SAMSUNG

DW80J7550US

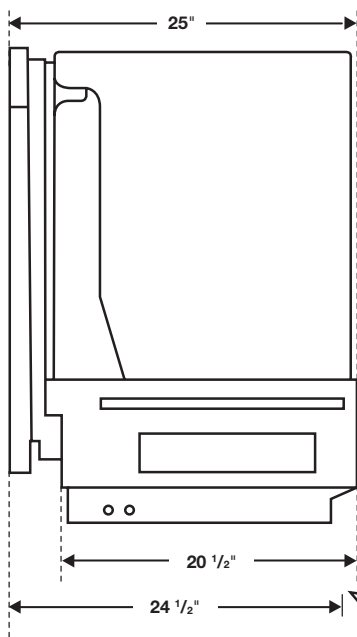
Samsung Dishwasher

Installing Your Dishwasher

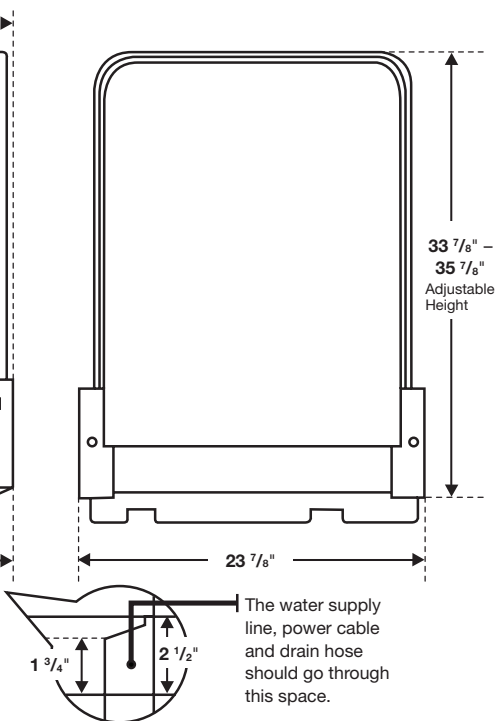


Dimensions

Side View



Rear View



The water supply line, power cable and drain hose should go through this space.

Performance

- 5 Wash Cycles: Auto, Normal, Heavy, Delicate, Express 60
- 5 Options: Half-Load Wash, Targeted Wash, Sanitize (Anti-Bacterial-NSF), Dry+, Delay Start
- 4 Control Buttons: Sound off, Child Lock, Start & Pause, Cancel and Drain
- 3 Filter System
- Hidden Heat Element
- Stainless Steel Interior Tub

Convenience Features

- Child Lock
- Digital Water Leakage Sensor.
- One-Touch Adjustable Racking System
- Nylon Racking
- 2 Piece Silverware Basket
- Upper Rack: 2 Cup Shelves, 3 Adjustable Tines
- Lower Rack: 6 Fold Down Tine

Warranty

Five (5) Years Limited on Linear Motion Parts, Printed Circuit Board and Interior Nylon Racks. Lifetime Limited Warranty on Stainless Steel Door Liner and Tub for Leakage.

Product Dimensions & Weight (WxHxD)

Dimensions:
24" x 33 7/8" x 24 2/3" (27" with handle)

Weight: 101 lbs.

Shipping Dimensions & Weight (WxHxD)

Dimensions:
26 1/16" x 34 27/32" x 29 1/8"

Weight: 108 lbs.

Color	Model #	UPC Code
Stainless Steel	DW80J7550US	887276090092
Black Stainless Steel	DW80J7550UG	887276117775
White	DW80J7550UW	887276096391

SAMSUNG

Actual color may vary. Design, specifications, and color availability are subject to change without notice.

Non-metric weights and measurements are approximate.

©2015 Samsung Electronics America, Inc. 85 Challenger Road, Ridgefield Park, NJ 07660. Tel: 800-SAMSUNG. samsung.com. Samsung is a registered trademark of Samsung Electronics Co. Ltd.