

WF45K6500AV

Samsung Front-Load Washer

4.5 cu. ft. Capacity

Features

- AddWash™
- Super Speed
- Steam Wash
- VRT Plus™
- Self Clean+
- Smart Home Ready
- Diamond Drum Design
- Direct Drive Motor
- 1300 RPM Maximum Spin Speed
- 14 Preset Wash Cycles
- 12 Options

Convenience

- Child Lock
- Door Lock
- Dispenser Trays: Prewash, Main Wash, Softener, Bleach



ENERGY STAR®-rated:

CEE Tier 2

IMEF=2.8



IWF=3.0

100 kWh/yr



AddWash™



Super Speed

Available Colors:



Black Stainless Steel



White

Signature Features

AddWash™

- Conveniently add in forgotten laundry after the cycle has begun with the AddWash™ door.
- Save time and energy by not doing an additional load of laundry.

SUPER SPEED

- Breakthrough technology provides a 40% faster and thorough wash cycle.
- Wash a full load in only 36 minutes.¹

¹Normal 1-hour wash can be completed in as little as 36 minutes as compared to WF511 washer without Super Speed. Based on DOE standard's average of 7.5 loads per week.

4.5 CU. FT. CAPACITY

- Large capacity 27" washer lets you wash up to 3 laundry baskets in a single load.²
- Fit more laundry – so you can do fewer loads.

²Based on an 8-lb. load of laundry.

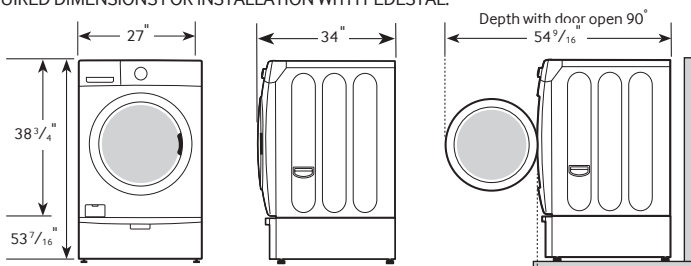
SAMSUNG

WF45K6500AV

Samsung Front-Load Washer

Dimensions

REQUIRED DIMENSIONS FOR INSTALLATION WITH PEDESTAL:

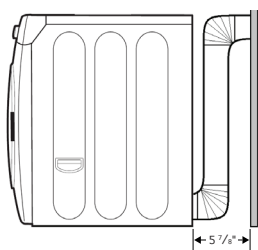
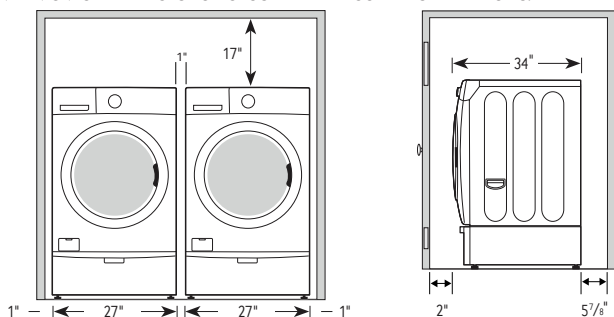


Installation Specifications

If the washer and dryer are installed together or the dryer alone, the closet front must have two unobstructed air openings for a combined minimum total area of 72 in.² (see stacked build below). Your washer alone does not require a specific air opening.

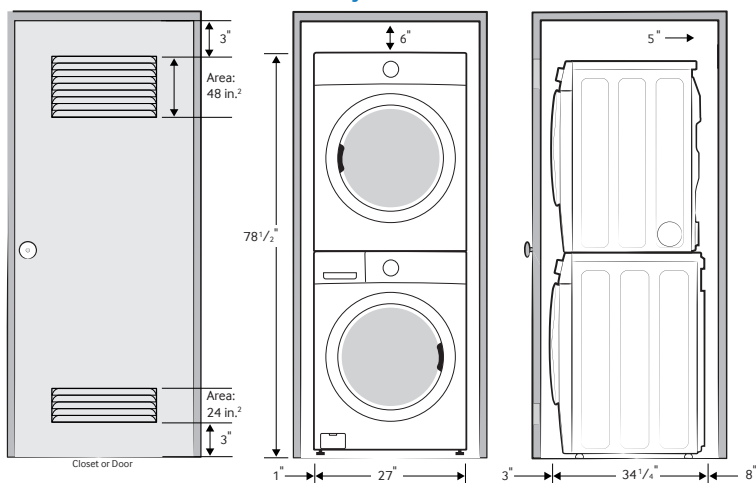
1. Alcove or closet installation

MINIMUM CLEARANCES FOR CLOSET AND ALCOVE INSTALLATIONS:



When installing with matching dryer, if the exhaust duct is installed at the rear of the dryer, the rear must have at least 5 7/8 inch clearance.

2. With stacked washer and dryer



4.5 cu. ft. Capacity

14 Preset Wash Cycles:

Normal, Heavy Duty, Permanent Press, Sanitize, Allergen, Towels, Bedding, Deep Steam, Whites, Active Wear, Delicates, Wool, Quick Wash, Rinse and Spin

12 Options:

Super Speed, Steam, Self Clean+, Delay End, My Cycle, Prewash, Extra Rinse, Extra Spin, Spin Only, Sound, Child Lock, Smart Care

5 Temperature Settings:

Extra Hot, Hot, Warm, Eco Warm, Cold

5 Spin Settings:

Extra High, High, Medium, Low, No Spin

5 Soil Settings:

Heavy, Heavy Medium, Normal, Low Medium, Light

Dispenser Trays:

Prewash, Main Wash, Softener, Bleach

Warranty

One (1) Year Parts and Labor
One (1) Year Control Board
Three (3) Years Stainless Steel Drum
Ten (10) Years Direct Drive Motor

Product Dimensions & Weight (WxHxD)

Dimensions: 27" x 38 3/4" x 34"

Weight: 227 lbs

Shipping Dimensions & Weight (WxHxD)

Dimensions: 29 3/8" x 41 3/4" x 35 1/4"

Weight: 233 lbs

Color	Model#	UPC Code
Black Stainless Steel	WF45K6500AV	887276138121
White	WF45K6500AW	887276138138

Matching Dryer (Electric/Gas)

Black Stainless Steel	DV45K6500EV	887276138381
White	DV45K6500EW	887276138404
Black Stainless Steel	DV45K6500GV	887276138411
White	DV45K6500GW	887276138428

Optional Stacking Kit

Sold separately SKK-7A 887276146423



Actual color may vary. Design, specifications, and color availability are subject to change without notice. Non-metric weights and measurements are approximate.

©2016 Samsung Electronics America, Inc. 85 Challenger Road, Ridgefield Park, NJ 07660. Tel: 800-SAMSUNG. samsung.com. Samsung is a registered trademark of Samsung Electronics Co. Ltd.