

# WF45M5500AZ

SAMSUNG

## Samsung Front-Load Washer

4.5 cu. ft. Capacity DOE



### Signature Features

#### Steam Wash

- Uses the power of steam to remove stains without pretreatment.

#### VRT Plus™ Technology

- Reduces vibration 40% more than standard VRT™ for quiet washing.\*

\*Based on Owens Corning sounds power testing.

#### 4.5 cu. ft. Capacity

- Fewer washes, less time in the laundry room.

### Available Colors



Azure Blue (shown)



Platinum



White



VRT Plus™ Technology



4.5 cu. ft. Capacity

### Features

- Steam Wash
- VRT Plus™ Technology
- 4.5 cu. ft. Capacity
- Self Clean+
- Smart Care
- Diamond Drum Design
- 1300 RPM Maximum Spin Speed
- Direct Drive Motor
- 10 Preset Wash Cycles
- 10 Options
- Internal Water Heater
- Crystal Blue Door
- Ice Blue LED Display
- 24-hrs. Delay End

### Convenience

- Child Lock
- Delay End
- 5 Temperature Settings
- 4 Spin Settings
- 3 Soil Settings
- Dispenser Trays: Main Wash, Softener, Bleach

### Rating



ENERGY STAR®-rated  
CEE Tier 3  
IMEF = 2.92  
IWF = 2.90  
105 kWh/yr

# WF45M5500AZ

# SAMSUNG

## Samsung Front-Load Washer

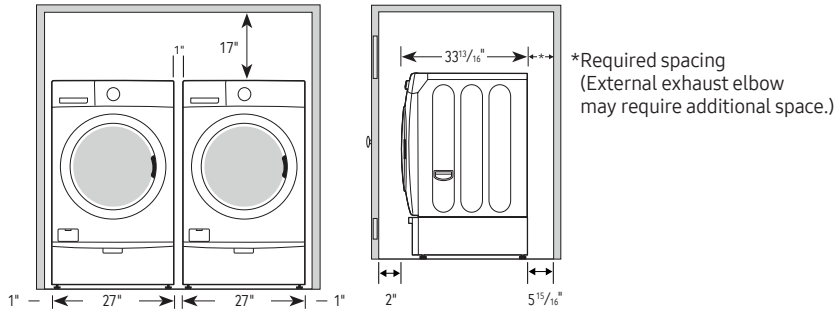
4.5 cu. ft. Capacity DOE

### Installation Specifications

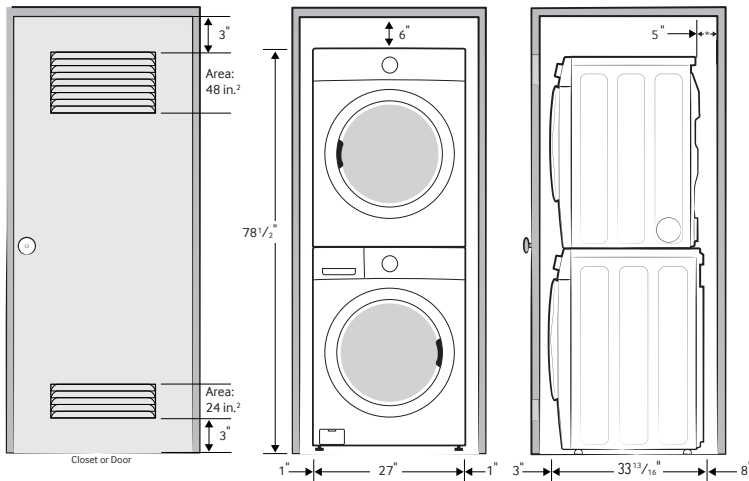
If the washer and dryer are installed together or the dryer alone, the closet front must have two unobstructed air openings for a combined minimum total area of 72-inch.<sup>2</sup> (see stacked build below). Your washer alone does not require a specific air opening.

#### 1. Alcove or closet installation

Minimum Clearance for Closet and Alcove Installations:

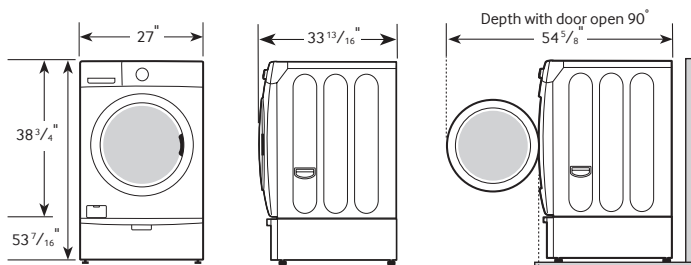


#### 2. With stacked washer and dryer



### Dimensions

Required Dimensions for Installation with Pedestal:



#### 10 Preset Wash Cycles:

Normal, Heavy Duty, Permanent Press, Sanitize, Allergen, Bedding, Deep Steam, Delicates, Quick Wash, Rinse and Spin

#### 10 Options:

Steam, Self Clean+, Delay End, My Cycle, Extra Rinse, Extra Spin, Sound, Spin Only, Child Lock, Smart Care

#### 5 Temperature Settings:

Extra Hot, Hot, Warm, Cool, Cold

#### 4 Spin Settings:

High, Medium, Low, No Spin

#### 3 Soil Settings:

Heavy, Normal, Light

#### Dispenser Trays:

Main Wash, Softener, Bleach

#### Warranty

One (1) Year Parts and Labor  
Three (3) Years Stainless Steel Drum (Part Only)  
Ten (10) Years Direct Drive Motor (Part Only)

#### Product Dimensions & Weight (WxHxD)

Dimensions: 27" x 38<sup>3</sup>/<sub>4</sub>" x 33<sup>13</sup>/<sub>16</sub>"  
Weight: 218.3 lbs

#### Shipping Dimensions & Weight (WxHxD)

Dimensions: 29<sup>3</sup>/<sub>8</sub>" x 41<sup>5</sup>/<sub>8</sub>" x 35<sup>1</sup>/<sub>4</sub>"  
Weight: 225 lbs

#### Color

Azure Blue  
Platinum  
White

#### Model #

WF45M5500AZ  
WF45M5500AP  
WF45M5500AW

#### UPC Code

887276201634  
887276195353  
887276195360

#### Matching Dryer (Electric/Gas)

Azure Blue	DVE45M5500Z	887276202464
Platinum	DVE45M5500P	887276197135
White	DVE45M5500W	887276197159

Azure Blue	DVG45M5500Z	887276202341
Platinum	DVG45M5500P	887276197166
White	DVG45M5500W	887276197173