

NV51K7770SS

30" Single Wall Oven

Features

- 6 Oven Modes including Steam Bake and Steam Roast
- 5.1 cu. ft. Capacity
- Gourmet Cook
- Dual Convection
- Wi-Fi Connectivity
- Wi-Fi-Enabled Temperature Probe
- LED Spotlights
- Soft-Close Door
- 3 Heavy-Duty Racks including a Gliding Rack
- Blue LED Illuminated Knobs
- Broil Element
- Smart Control Key
- 6 Rack Positions
- Drop-Down Door Design
- LCD Display

Convenience

- Hidden Heating Element
- Rapid Preheat
- Sabbath Mode
- Hybrid Clean and Self-Clean
- Delay Start
- Proofing
- Warming Mode
- Kitchen Timer
- Child Safety Lock
- Convection Conversion



Steam Cook



Flex Duo™

Available Colors



Stainless Steel (shown)



Black Stainless Steel

Signature Features

STEAM COOK

- Delivers moisture at precise times for a crisp, browned outside and tender inside.

FLEX DUO™

- Cook two dishes at different temperatures simultaneously with the Smart Divider.

DIGITAL-ANALOG CONTROLS

- The ultimate interface, a combination of analog-knobs and a digital touch screen.

NV51K7770SS

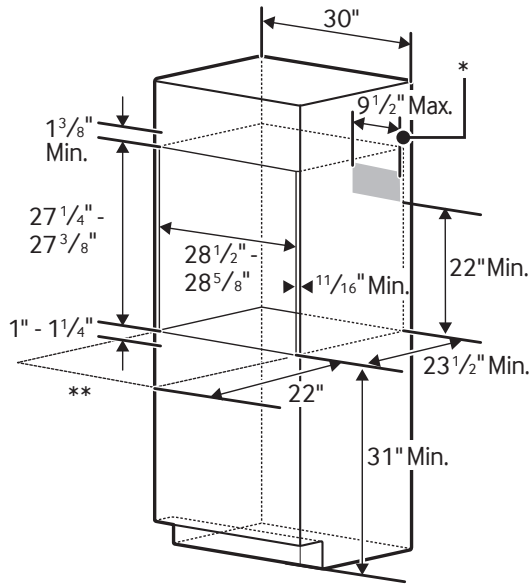
30" Single Wall Oven

Cabinet Dimensions

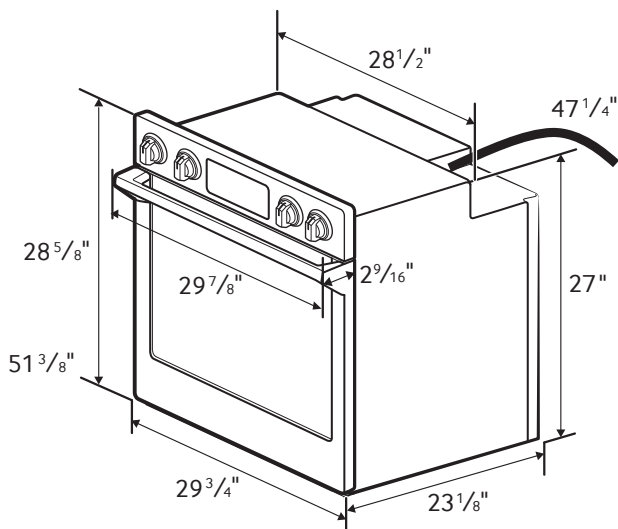
Single Oven Installed in Cabinet

*Junction Box

**Allow a minimum of 22" for clearance to adjacent corners, drawers, walls, etc. when door is open.



Product Dimensions



Convection Wall Oven

- Hidden Bake Element
- Bake: 175°F–550°F
- Convection Bake: 175°F–550°F
- Convection Roast: 175°F–550°F
- Broil: Low-High
- Steam Bake: 230°F–550°F
- Steam Roast: 230°F–550°F
- Proofing
- Sabbath Mode

Warranty

One (1) Year All Parts and Labor

Product Dimensions & Weight (WxHxD)

Outside (Max) Wall Oven Dimensions:

29⁷/₈" x 28⁵/₈" x 25¹¹/₁₆"

Wall Oven Cut-Out Dimensions:

28¹/₂" x 27¹/₄" x 23¹/₂"

Weight: 149.9 lbs.

Shipping Dimensions & Weight (WxHxD)

Dimensions:

33¹/₂" x 33³/₄" x 29¹³/₁₆"

Weight: 176.4 lbs.

Color	Model #	UPC Code
Stainless Steel	NV51K7770SS	887276181691
Black Stainless Steel	NV51K7770SG	887276181752

KW RATING	
240V	6.2 kW
208V	4.7 kW
BREAKER SIZE	
240V	30 Amps
208V	30 Amps

SAMSUNG

Actual color may vary. Design, specifications, and color availability are subject to change without notice. Non-metric weights and measurements are approximate.

©2017 Samsung Electronics America, Inc. 85 Challenger Road, Ridgefield Park, NJ 07660. Tel: 800-SAMSUNG. samsung.com. Samsung is a registered trademark of Samsung Electronics Co., Ltd.