

RH25H5611SR

24.7 cu. ft. Side-by-Side Refrigerator with Food Showcase Door

Features

- Food Showcase Door
- Metal Cooling
- Large Capacity – 24.7 cu. ft.
- Twin Cooling System®
- LED Tower Lighting
- Automatic In-Door Ice Maker
- External Filtered Water and Ice Dispenser
- Digital LED Display
- ENERGY STAR®-Compliant
- ADA Compliant
- Power Freeze and Power Cool Options
- Tempered Glass Spill-Proof Shelves

Convenience

- Cool Tight Door
- Energy Saver
- Dispenser Light
- Door Alarm
- Water Filter Indicator
- Child Lock



Food Showcase Fridge Door



LED Tower Lighting



ENERGY STAR®-rated:
640 kWh/yr



ADA Compliant

Available Colors



Stainless Steel
(shown)



Black Stainless Steel

Signature Features

LARGE CAPACITY

- Beautiful, sleek designs fit any kitchen décor. Fits up to 24.7 bags of groceries.*
More space inside, not outside.

*Grocery comparison based on each cubic foot of usable space equaling one paper bag.

FOOD SHOWCASE DOOR

- Innovative door-in-door design gives easy access to on-the-go items such as drinks and condiments.

TWIN COOLING SYSTEM®

- Maintains cooling air for the refrigerator and freezer separately.
- Refrigerator air is kept at higher, near-commercial-grade humidity levels to keep perishable fruits and vegetables fresher longer.
- Drier air in the freezer means less freezer burn for better-tasting food.

SAMSUNG

RH25H5611SR

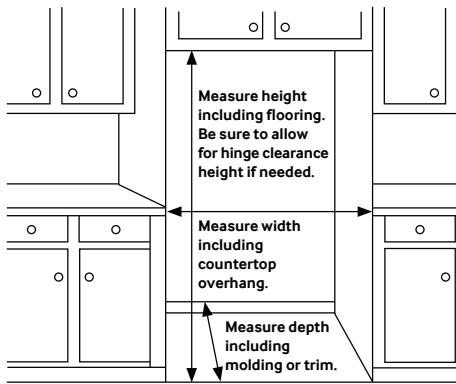
24.7 cu. ft. Side-by-Side Refrigerator with Food Showcase Fridge Door

Installing Your Refrigerator

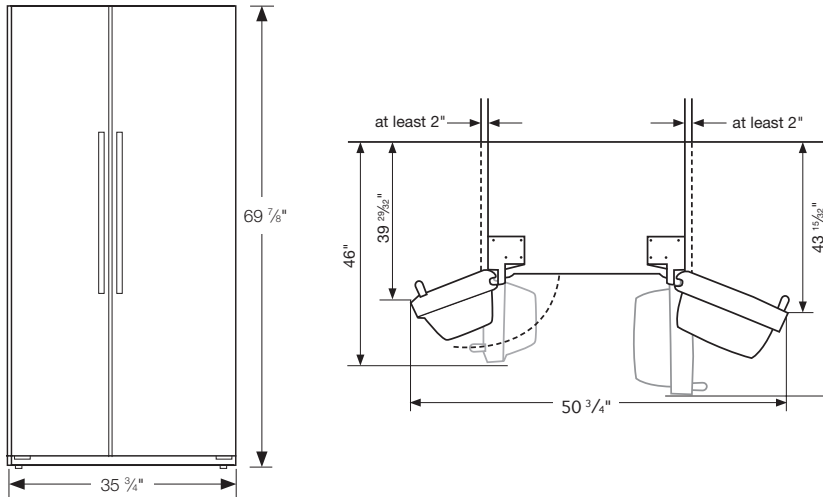
1. Measure the height, width and depth of the opening, making sure to include baseboards, molding tile, countertop overhang, etc. Check to be sure there is enough room to open the door (consider walls, islands or other obstacles when measuring).
2. Refer to illustration below to determine dimensions.
3. Allow 2.5" of clearance on hinge side of refrigerator when installing next to a wall where handle may make contact.
4. Allow 1" minimum clearance at rear for proper air circulation and water/electrical connections. Allow a 3/8" minimum clearance at sides and top for ease of installation.
5. Ensure each door and entryway in the home is wide enough for the refrigerator to be moved through easily.

For optimal usage and to be able to open refrigerator doors completely, do not install next to a wall.

Please note: The following dimension and cutout information is for planning purposes only. For complete installation details, consult manual packed with product, or download manual online at samsung.com.



Dimensions



Total Capacity: 24.7 cu. ft.

Refrigerator: 15.6 cu. ft.

- Food Showcase Door
- 4 Tempered Glass Spill-Proof Shelves
- 3 Clear Crispers
- 5 Door Bins
- Tower LED Lighting

Freezer: 9.1 cu. ft.

- External Filtered Water and Ice Dispenser (Crushed or Cubed Ice)
- Automatic In-Door Ice Maker
- 2 Clear Drawers
- 4 Glass Shelves
- 3 Clear Door Bins
- Tower LED Lighting

Accessories

Water Filter: HAF-CIN/EXP

Warranty

One (1) Year Parts and Labor on Refrigerator

Five (5) Years Parts and Labor on Sealed Refrigeration System Only*

Ten (10) Years Parts and Five (5) Years Labor on Digital Inverter Compressor

*Compressor, evaporator, condenser, drier, connecting tubing

Product Dimensions & Weight

Dimensions (WxHxD with hinges, handles and doors): 35 3/4" x 69 7/8" x 36 5/8"

Dimensions (WxHxD without hinges and door): 35 3/4" x 68 1/2" x 29 1/8"

Dimensions (WxHxD with hinge and door, no handle): 35 3/4" x 69 7/8" x 34"

Weight: 304.2 lbs.

Shipping Dimensions & Weight (WxHxD)

Dimensions: 37 3/4" x 78 7/8" x 36 1/4"

Weight: 313.1 lbs.

Color

Stainless Steel

Black Stainless Steel

Model

RH25H5611SR

RH25H5611SG

UPC Code

887276073446

887276143354

SAMSUNG

Actual color may vary. Design, specifications, and color availability are subject to change without notice. Non-metric weights and measurements are approximate.

©2018 Samsung Electronics America, Inc. 85 Challenger Road, Ridgefield Park, NJ 07660. Tel: 800-SAMSUNG. samsung.com. Samsung is a registered trademark of Samsung Electronics Co. Ltd.