

RF263BEAESR

25 cu. ft. French Door Refrigerator with External Water and Ice Dispenser

Features

- Large Storage Capacity – 25 cu. ft.
- Ice Master Ice Maker in the Refrigerator
- High-Efficiency LED Lighting
- Twin Cooling Plus®
- ENERGY STAR®-Compliant
- Tall and Wide External Filtered Water and Ice Dispenser
- CoolSelect Pantry™ with Temperature Control
- Power Freeze and Power Cool Options
- Two Humidity-Controlled Crispers
- Tempered Glass Spill-Proof Shelves
- Gallon Door Bins
- EZ-Open Handle™ on Freezer Door
- Auto Pull-Out Upper Freezer Drawer

Convenience

- CoolTight Door
- Door Alarm
- Water Filter Indicator



ENERGY STAR®-rated: CEE Tier 2
(18% more efficient than Federal Standard)
637 kWh/yr



Ice Master



Available Colors



Stainless Steel



Black Stainless Steel



White

Signature Features

ICE MASTER

- Produces 10 lbs. of ice per day and stores 4.2 lbs.
- Space-saving design leaves more room in the refrigerator.

COOLSELECT PANTRY™

- Provides additional temperature control for your food storage needs with Quick Cool, Thaw and Soft Freeze, Chill Mode, and Cool Mode options.

TWIN COOLING PLUS®

- Refrigerator air is kept at higher, near-commercial-grade humidity levels to keep perishable fruits and vegetables fresher longer.
- Drier freezer air means less freezer burn for better-tasting frozen foods.

HIGH-EFFICIENCY LED LIGHTING

- High-efficiency design beautifully lights up the interior so you're able to quickly spot what you want.
- Sleek design saves more space than traditional incandescent light bulbs.



Ranked **"Highest in Customer Satisfaction with French Door Refrigerators, in a Tie."***

—J.D. Power

SAMSUNG

RF263BEAESR

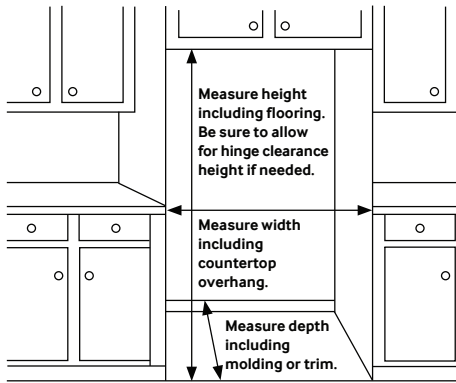
25 cu. ft. French Door Refrigerator with External Water and Ice Dispenser

Installing Your Refrigerator

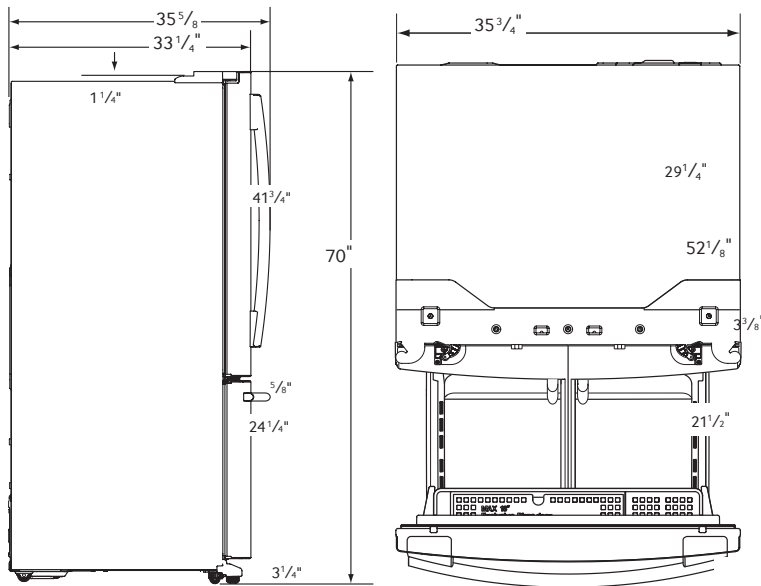
1. Measure the height, width and depth of the opening, making sure to include baseboards, molding tile, countertop overhang, etc. Check to be sure there is enough room to open the door (consider walls, islands or other obstacles when measuring).
2. Refer to illustration below to determine dimensions.
3. Allow 2.5" of clearance on hinge side of refrigerator when installing next to a wall where handle may make contact.
4. Allow 1" minimum clearance at rear for proper air circulation and water/electrical connections. Allow a 3/8" minimum clearance at sides and top for ease of installation.
5. Ensure each door and entryway in the home is wide enough for the refrigerator to be moved through easily.

For optimal usage and to be able to open refrigerator doors completely, do not install next to a wall.

Please note: The following dimension and cutout information is for planning purposes only. For complete installation details, consult manual packed with product, or download manual online at samsung.com.



Dimensions



Total Capacity: 24.6 cu. ft.

Refrigerator: 16.6 cu. ft.

- Tall and Wide External Filtered Water Dispenser and Ice Dispenser
- Ice Master Ice Maker
- CoolSelect Pantry™ with Temperature Control
- 2 Humidity-Controlled Crispers
- 5 Tempered Glass Spill-Proof Shelves
 - 2 Slide-Out
 - 1 Slide-In
 - 1 Extending Half Shelf
 - 1 Full Width
- 6 Clear Door Bins
 - Right Door: 3 Gallon Bins
 - Left Door: 3 Door Bins
- High-Efficiency LED Lighting

Freezer: 8.0 cu. ft.

- EZ-Open Handle™
- 1 Large Opaque Bin with 2 Dividers
- Auto Pull-Out Upper Drawer
- High-Efficiency LED Lighting

Accessories

Water Filter: HAF-CIN

Warranty

One (1) Year Parts and Labor on Refrigerator
Five (5) Years Parts and Labor on Sealed Refrigeration System Only*
Ten (10) Years Parts and Five (5) Years Labor on Digital Inverter Compressor

*Compressor, evaporator, condenser, drier, connecting tubing.

Product Dimensions & Weight

Dimensions (WxHxD with hinges, handles and doors):
35 3/4" x 70" x 35 5/8"

Dimensions (WxHxD without hinges and door):
35 3/4" x 68 5/8" x 29 1/2"

Dimensions (WxHxD with hinge and door, no handle):
35 3/4" x 70" x 33 1/4"

Weight: 307.5 lbs.

Shipping Dimensions & Weight (WxHxD)

Dimensions: 38 5/8" x 75 3/4" x 36 1/4"

Weight: 334.0 lbs.

Color

Stainless Steel

Black Stainless Steel

White

Model

RF263BEAESR

RF263BEAESG

RF263BEAEWV

UPC Code

036725590045

887276117782

036725590076

SAMSUNG

*Samsung received the highest numerical score for French door refrigerators in a tie in the proprietary J.D. Power 2014 Kitchen Appliance StudySM. Study based on 15,380 total responses measuring 10 French door refrigerator brands and measures opinions of consumers about their new appliance purchased in the past 24 months. Proprietary study results are based on experiences and perceptions of consumers surveyed in January-March 2014. Your experiences may vary. Visit jdpower.com.

Actual color may vary. Design, specifications, and color availability are subject to change without notice. Non-metric weights and measurements are approximate.

©2018 Samsung Electronics America, Inc. 85 Challenger Road, Ridgefield Park, NJ 07660. Tel: 800-SAMSUNG. samsung.com. Samsung is a registered trademark of Samsung Electronics Co. Ltd.