

30" Gas Pro Range

## NX58M9960

### Available Colors

Matte Black Stainless Steel (shown)  
Stainless Steel



22K Dual Power burner provides two independent heating burners offering intense heat and precise control to quickly boil water or slowly melt chocolate without scorching.

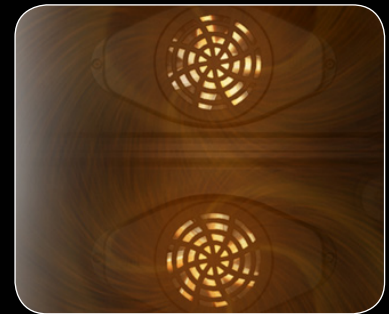
Dual Convection twin fans circulate air for fast, even cooking on all 3 racks.

Bluetooth connectivity automatically starts the hood\* when the range turns on.

\*With compatible Samsung ventilation hood



22K BTU Dual Power Burner



Dual Convection

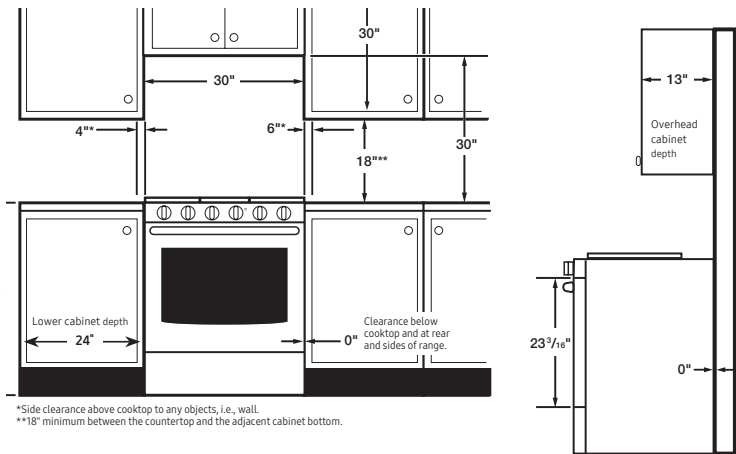
### Features

- Blue LED Illuminated Knobs
- Wok Grate
- 5.8 cu. ft. Capacity
- Burner On/Off Monitoring
- Soft-Close Door
- 4 Gas Burners
  - Right Front: 22K BTU (Dual Brass)
  - Left Front: 15K BTU
  - Right Rear: 5K BTU
  - Left Rear: 15K BTU
- 3 Heavy-Duty Racks including 1 Gliding Rack
- Proofing
- Self-Clean
- Sealed Burners
- LP Conversion Kit
- Anti-Tip Device

## 30" Gas Pro Range

# NX58M9960

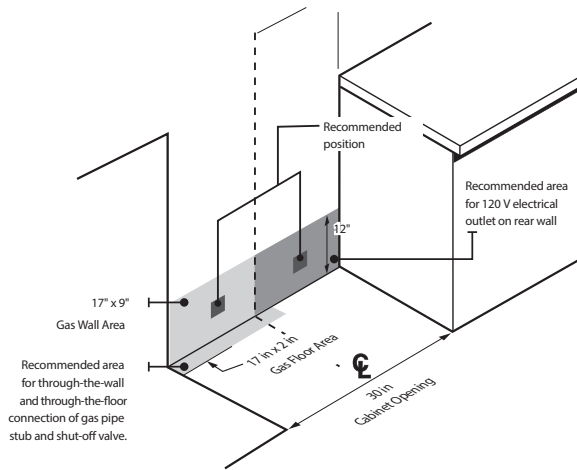
## Installing Your Gas Pro Range



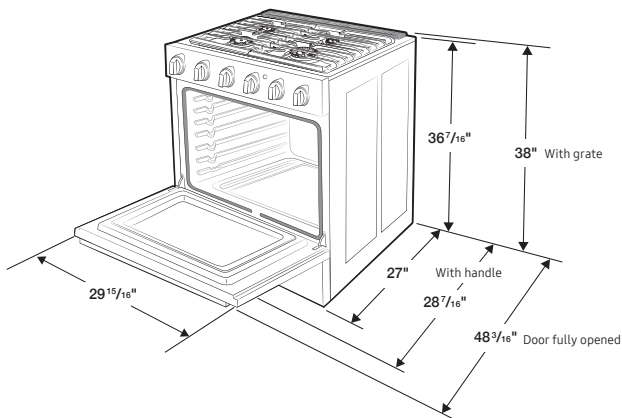
\*Side clearance above cooktop to any objects, i.e., wall.  
\*\*18" minimum between the countertop and the adjacent cabinet bottom.

30" minimum clearance between the top of the cooking surface and the bottom of an unprotected wood or metal cabinet; or 24" minimum when the bottom of the wood or metal cabinet is protected by not less than 1/4" flame-retardant millboard covered with not less than no. 28 MSG sheet steel, 0.015" stainless steel, 0.024" aluminum or 0.020" copper.

**IMPORTANT:** To eliminate the risk of burns or fire caused by reaching over heated surface units, cabinet storage space located above the surface units should be avoided. If cabinet storage is to be provided, the risk can be reduced by installing a range hood that projects horizontally a minimum of 5" beyond the bottom of the cabinets.



## Oven Dimensions



**Total Power (BTU)**  
57K BTU

**Power Source**  
120V / 60 Hz / 10A

### 4-Burner Cooktop

- Right Front: 22K BTU (Dual Brass)
- Left Front: 15K BTU
- Right Rear: 5K BTU
- Left Rear: 15K BTU

### Oven

- Bake: 150°F - 550°F
- Convection Bake: 150°F - 550°F
- Bake Burner: 18K BTU
- Broil Burner: 16.5K BTU
- Variable Broil: Low/High
- Convection Roast: 150°F - 550°F
- Keep Warm
- Proofing

### Warranty

Two (2) Year All Parts and Labor

### Product Dimensions & Weight (WxHxD)

Outside (Max) Oven Dimensions:  
29<sup>15</sup>/<sub>16</sub>" x 38" x 28<sup>7</sup>/<sub>16</sub>"

Weight: 242.5 lbs.

### Shipping Dimensions & Weight (WxHxD)

Dimensions:  
32<sup>7</sup>/<sub>8</sub>" x 30<sup>1</sup>/<sub>8</sub>" x 43<sup>11</sup>/<sub>16</sub>"

Weight: 270.5 lbs.

Color	Model #	UPC Code
Stainless Steel	NX58M9960PS	887276235042
Matte Black		
Stainless Steel	NX58M9960PM	887276235035