

# NX58H5600SS

5.8 cu. ft. Freestanding Gas Range with Convection

## Features

- 5 Gas Burners
  - Right Front: 17K BTU
  - Left Front: 15K BTU
  - Right Rear: 5K BTU
  - Left Rear: 9.5K BTU
  - Center: 9.5K BTU (Oval with Griddle)
- Large Oven Capacity – 5.8 cu. ft.
- Cast Iron 3 Piece Grates
- Griddle
- Convection Oven
- Storage Drawer
- Grate Indicator Marks

## Convenience

- Auto Oven Light
- Auto Shut-Off Option
- Proofing
- Sabbath Mode
- Delay Start
- Child Safety Lock
- Self Clean
- 4 Easy Cook Presets
- 2 Chrome Oven Racks



Versatile Cooktop



Convection Oven

## Available Color



Stainless Steel

## Signature Features

### CONVECTION OVEN

- The convection fan system is great for baking and broiling because heat is distributed thoroughly and food cooks evenly. Enjoy faster results each time.

### GRIDDLE

- Cook a variety of breakfast foods or grilled sandwiches at once on the removable stovetop griddle.

### LARGE CAPACITY

- Our extra-spacious 5.8 cu. ft. large-capacity oven easily handles turkey roasters and large baking sheets.

### GRATE INDICATOR MARKS

- Indicator marks located on the grates allow cookware to be ideally placed for precise cooking.



Ranked **“Highest in Customer Satisfaction with Ranges, Cooktops and Ovens.”**\*

—J.D. Power

**SAMSUNG**

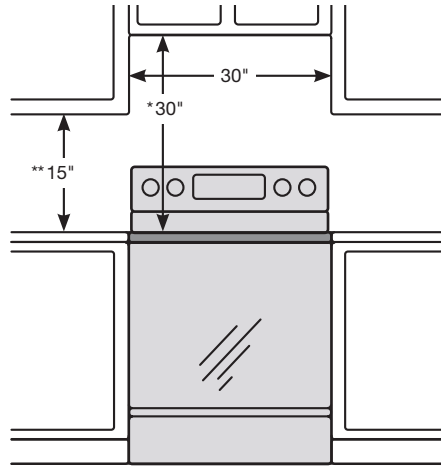
# NX58H5600SS

5.8 cu. ft. Freestanding Gas Range with Convection

## Installing Your Range

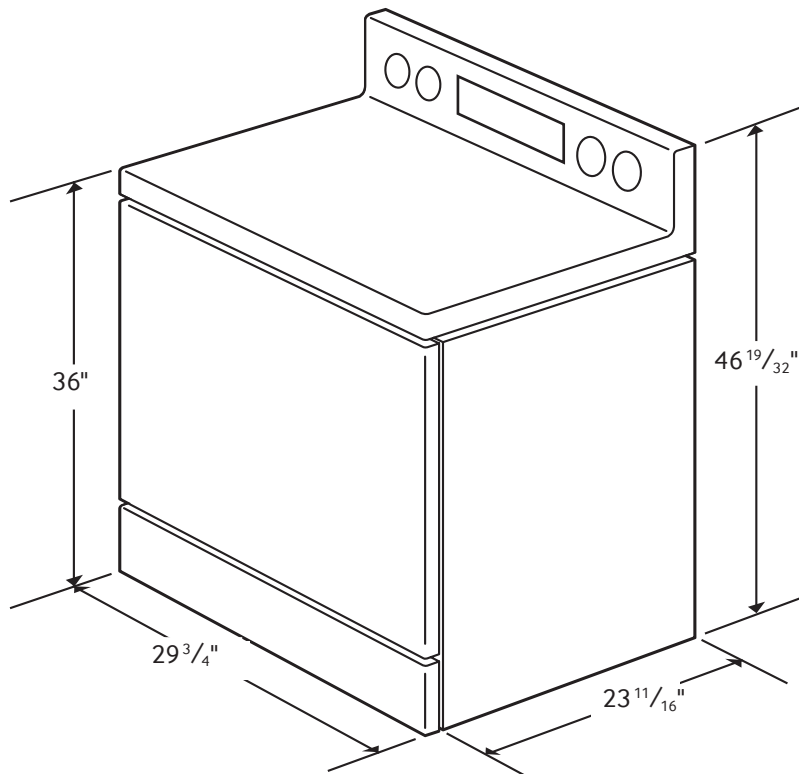
\*30" minimum clearance between the top of the cooking surface and the bottom of an unprotected wood or metal cabinet; or 24" minimum when the bottom of the wood or metal cabinet is protected by not less than 1/4" flame retardant millboard covered with not less than no.28 MSG sheet steel, 0.015" stainless steel, 0.024" aluminum or 0.020" copper.

\*\*15" minimum between the countertop and the adjacent cabinet bottom.



**IMPORTANT:** To eliminate the risk of burns or fire caused by reaching over heated surface units, cabinet storage space located above the surface units should be avoided. If cabinet storage is to be provided, the risk can be reduced by installing a range hood that projects horizontally a minimum of 5" beyond the bottom of the cabinets.

## Dimensions



### Total Power (BTU)

56,000 BTU

### Power Source

120 V/60 Hz

### Black Enamel 5 Burner Cooktop

- Right Front: 17000 BTU
- Left Front: 15000 BTU
- Right Rear: 5000 BTU
- Left Rear: 9500 BTU
- Center Rear: 9500 BTU (Oval with Cast Iron Griddle)

### Oven

- Bake: 150°F - 550°F
- Convection Bake: 150°F - 550°F
- Bake Burner: 18000 BTU
- Broil Burner: 13500 BTU
- Convection Roast: 150°F - 550°F
- Proofing
- Sabbath Mode

### Storage Drawer

Capacity: 0.7 cu. ft.

### Warranty

One (1) Year All Parts and Labor

Five (5) Years Gas Cooktop

### Product Dimensions & Weight (WxHxD)

Actual Oven Dimensions:

25" x 19" x 21 1/8"

Outside Net Dimensions:

29 3/4" x 46 19/32" x 23 11/16"

Weight: 200 lbs.

### Shipping Dimensions & Weight (WxHxD)

Dimensions:

32 7/8" x 50 9/16" x 30 1/8"

Weight: 216 lbs.

Color

Stainless Steel

Model #

NX58H5600SS

UPC Code

887276977423

**SAMSUNG**

\*Samsung received the highest numerical score for ranges, cooktops and ovens in the proprietary J.D. Power 2014 Kitchen Appliance Study<sup>SM</sup>. Study based on 15,380 total responses measuring 17 ranges, cooktops and oven brands and measures opinions of consumers about their new appliance purchased in the past 24 months. Proprietary study results are based on experiences and perceptions of consumers surveyed in January-March 2014. Your experiences may vary. Visitjdpower.com.

Actual color may vary. Design, specifications, and color availability are subject to change without notice. Non-metric weights and measurements are approximate.

©2014 Samsung Electronics America, Inc. 85 Challenger Road, Ridgefield Park, NJ 07660. Tel: 800-SAMSUNG. samsung.com. Samsung is a registered trademark of Samsung Electronics Co. Ltd.