

NE59J7850WS

5.9 cu. ft. Freestanding Flex Duo™ Electric Range with Dual Door™

Features

- Flex Duo™ Technology with Dual Door – Large 5.9 cu. ft. Convection Oven Splits into Two Cavities with a Removable Smart Divider™
- Soft Close Door
- Dual Convection Oven
 - Top: Fan Convection
 - Bottom: True Convection
- Large Oven Capacity – 5.9 cu. ft.
 - 2.6 cu. ft. upper
 - 3.2 cu. ft. lower
- Five Electric Cooktop Elements
 - One Triple Burner (6"/9"/12")
 - Two Bridged (7")
 - One Single Burner (6")
 - Warming Center (7")
- SteamQuick™ (20 min. oven cleaning) and Self Clean
- Warming Drawer: High, Medium, Low



Flex Duo™ Oven



Dual Door

Convenience

- Auto Oven Light
- Proofing
- Sabbath Mode
- Kitchen Timer
- Delay Start
- Child Safety Lock
- Three Preset Easy Cook Options

Available Colors



Stainless Steel
(shown)



Black Stainless

Signature Features

FLEX DUO™ OVEN

- The spacious 5.9 cu. ft. oven splits into two ovens with the Smart Divider™ to cook at two different temperatures at the same time.
- Two temperature controls.
- No noticeable transfer of aroma.

DUAL DOOR™

- Used with the Flex Duo™ Smart Divider,™ it's like having two ovens in one.
- Unique middle-hinged door can open just the top section or the full door, for total flexibility and energy efficiency.

SOFT CLOSE DOOR

- Whisper-quiet Soft Close Door.

5.9 CU. FT. LARGE CAPACITY

- Cook a big roast, multiple casserole dishes or several racks of cookies at once.
- Three oven racks let you prepare enough food for large gatherings.
- Split rack on top for taller dishes.

FIVE-BURNER COOKTOP

- Cook with different-sized pans simultaneously.
- The triple burner has three different-sized heating elements in one.
- Smooth ceramic surface allows for convenient cleaning.
- Bridge capability creates an extra-large cooking surface for oversized pots and pans.



Ranked **"Highest in Customer Satisfaction with Ranges, Cooktops and Ovens."****

—J.D. Power

SAMSUNG

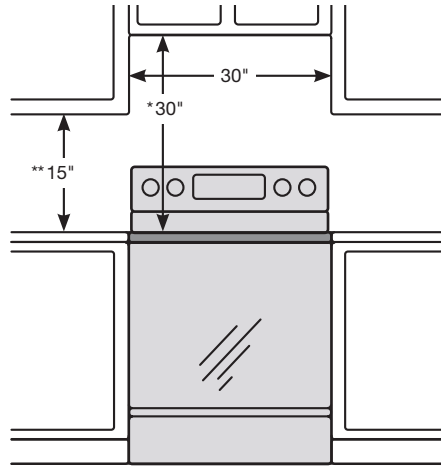
NE59J7850WS

5.9 cu. ft. Freestanding Flex Duo™ Electric Range with Dual Door™

Installing Your Range

*30" minimum clearance between the top of the cooking surface and the bottom of an unprotected wood or metal cabinet; or 24" minimum when the bottom of the wood or metal cabinet is protected by not less than 1/4" flame-retardant millboard covered with not less than no. 28 MSG sheet steel, 0.015" stainless steel, 0.024" aluminum or 0.020" copper.

**15" minimum between the countertop and the adjacent cabinet bottom.



IMPORTANT: To eliminate the risk of burns or fire caused by reaching over heated surface units, cabinet storage space located above the surface units should be avoided. If cabinet storage is to be provided, the risk can be reduced by installing a range hood that projects horizontally a minimum of 5" beyond the bottom of the cabinets.

Radiant Ceramic Cooktop

- Right Front: 6/9/12", 3.0 kW
- Left Front: 7", 1.8 kW (bridge)
- Right Rear: 6", 1.2 kW
- Left Rear: 7", 1.8 kW (bridge)
- Center Rear: Warming Center, 7"

Dual Oven (with Divider)

- Hidden Bake Element
- Bake: 175°F–550°F
- Convection Bake: 175°F–550°F
- Convection Roast: 175°F–550°F
- Broil: Low/High
- Convection Element/Heater: 1250 W
- Proofing
- Sabbath Mode

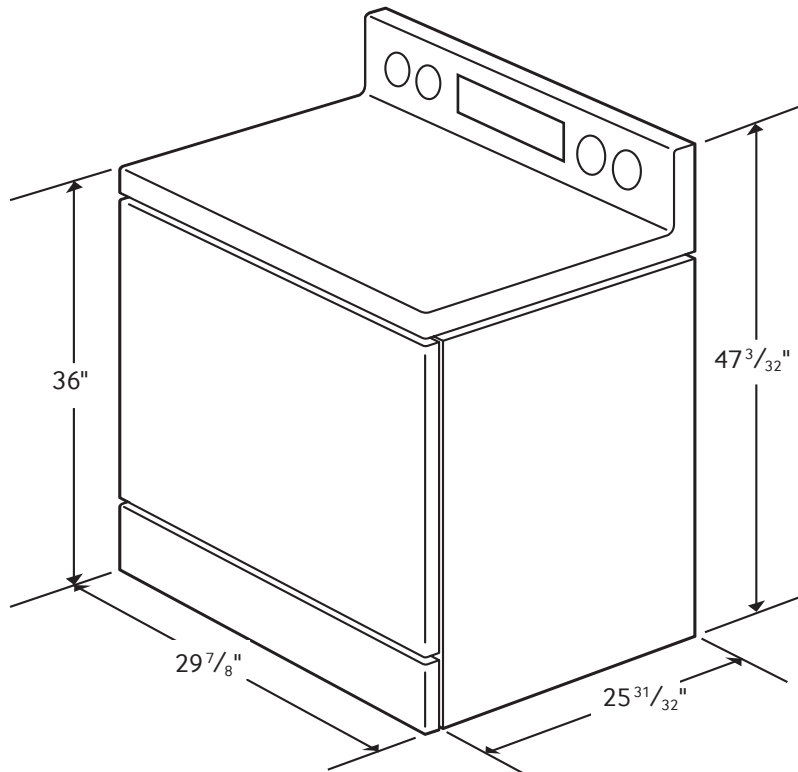
Warming Drawer

- Capacity: 1.4 cu. ft.
- Heating Performance: 600 W (4 pass)
- Temperature Settings: High, Medium, Low

Warranty

One (1) Year All Parts and Labor
Five (5) Years Electric Cooktop

Dimensions



Product Dimensions & Weight (WxHxD)

Actual Oven Dimensions:
25" x 20²⁵/₃₂" x 18¹⁵/₁₆"

Outside Net Dimensions:
29⁷/₈" x 47³/₃₂" x 25³¹/₃₂"

Weight: 192.7 lbs.

Shipping Dimensions & Weight (WxHxD)

Dimensions:
33¹/₃₂" x 50²⁵/₆₄" x 30⁹/₃₂"

Weight: 216.9 lbs.

Color	Model #	UPC Code
Stainless Steel	NE59J7850WS	887276093765
Black Stainless	NE59J7850WG	887276111933

SAMSUNG

*Samsung received the highest numerical score for ranges, cooktops and ovens in the proprietary J.D. Power 2014 Kitchen Appliance Study™. Study based on 15,380 total responses measuring 17 ranges, cooktops and oven brands and measures opinions of consumers about their new appliance purchased in the past 24 months. Proprietary study results are based on experiences and perceptions of consumers surveyed in January-March 2014. Your experiences may vary. Visit jdpower.com.

Actual color may vary. Design, specifications, and color availability are subject to change without notice. Non-metric weights and measurements are approximate.

©2015 Samsung Electronics America, Inc. 85 Challenger Road, Ridgefield Park, NJ 07660. Tel: 800-SAMSUNG. samsung.com. Samsung is a registered trademark of Samsung Electronics Co. Ltd.