

NE58K9560WS

5.8 cu. ft. Slide-In Induction Range with Virtual Flame™ Technology

Features

- Virtual Flame™
- Slide-In Design
- WiFi Connectivity
- Dual Convection
- Glass-Touch Controls
- Large Oven Capacity—5.8 cu. ft.
- Wide View Window
- Warming Drawer: High, Medium, Low
- Hidden Bake Element
- Sabbath Mode

Convenience

- Self + Steam Clean
- Hot Surface Indicator Lights
- Auto Oven Light
- Proofing
- Sabbath Mode
- Kitchen Timer
- Delay Start
- Auto Shut-Off Option
- Child Safety Lock
- 3 Preset Easy Cook Options



Full Induction Cooktop with Virtual Flame™ Technology



WiFi Connectivity

Available Color



Stainless Steel

Signature Features

VIRTUAL FLAME™

- Gives you the visual of gas cooking with the precision of induction cooking.
- LED lights shine onto pots and pans providing visual cues that the cooktop is on.

SLIDE-IN DESIGN

- Blends seamlessly with your kitchen for a modern and built in look.
- Creates a high-end look without having to remodel.

WIFI CONNECTIVITY

- Remotely monitor your cooktop and control your oven with WiFi capability.
- Cook from anywhere: Use your smart phone to remotely monitor for safety, turn the oven on¹ or off, and adjust the time and temperature.

¹As a safety precaution, remote start function only available on the Electric Range.

SAMSUNG

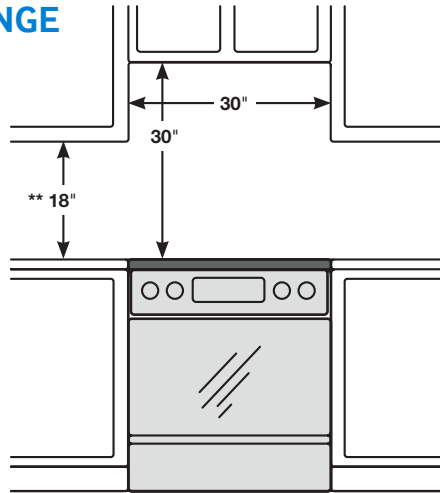
NE58K9560WS

5.8 cu. ft. Slide-In Induction Range with Virtual Flame™ Technology

INSTALLING YOUR RANGE

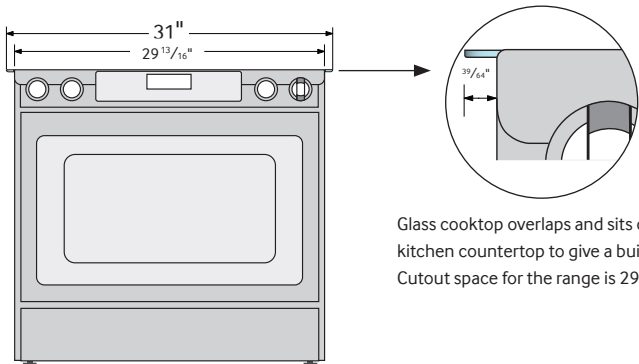
30" minimum clearance between the top of the cooking surface and the bottom of an unprotected wood or metal cabinet; or 24" minimum when the bottom of the wood or metal cabinet is protected by not less than 1/4" flame-retardant millboard covered with not less than no.28 MSG sheet steel, 0.015" stainless steel, 0.024" aluminum or 0.020" copper.

** 18" minimum between the countertop and the adjacent cabinet bottom.

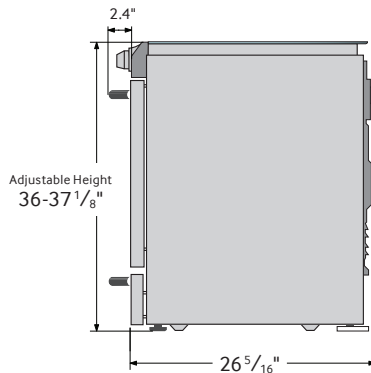


IMPORTANT: To eliminate the risk of burns or fire caused by reaching over heated surface units, cabinet storage space located above the surface units should be avoided. If cabinet storage is to be provided, the risk can be reduced by installing a range hood that projects horizontally a minimum of 5" beyond the bottom of the cabinets.

DIMENSIONS



Glass cooktop overlaps and sits on top of your kitchen countertop to give a built-in look. Cutout space for the range is 29 13/16.



Induction Cooktop

- Right Front: 11", 2.3 KW (Boost 3.3kW)
- Left Front: 7", 1.8 KW (Boost 1.8kW)
- Right Rear: 6", 1.2 KW (Boost 2.0kW)
- Left Rear: 7", 1.8 KW (Boost 1.8kW)

Oven

- Capacity: 5.8 cu. ft.
- Hidden Bake Element: 3000W
- Bake: 175°F - 550°F
- Convection Bake: 175°F - 550°F
- Convection Roast: 175°F - 550°F
- Broil (Low – High)
- Convection Element/Heater: 1250W
- Proofing
- Sabbath Mode

Warming Drawer

- Capacity – 0.7 cu. ft.
- Heating Performance: 600W (4 pass)
- Temperature Settings: High, Medium, Low

Warranty

One (1) Year All Parts and Labor
Five (5) Years Electric Cooktop

Product Dimensions & Weight (WxHxD)

Outside Dimensions:
31" x 36-37 1/8" (Adjustable) x 26 5/16"

Weight: 219.8 lbs.

Shipping Dimensions & Weight (WxHxD)

Dimensions:
33 1/16" x 41 3/4" x 30 5/16"

Weight: 244.1 lbs.

Color	Model #	UPC Code
Stainless Steel	NE58K9560WS	887276132273

SAMSUNG

Actual color may vary. Design, specifications, and color availability are subject to change without notice. Non-metric weights and measurements are approximate.

©2016 Samsung Electronics America, Inc. 85 Challenger Road, Ridgefield Park, NJ 07660. Tel: 800-SAMSUNG. samsung.com. Samsung is a registered trademark of Samsung Electronics Co. Ltd.