

DVG52M8650V

SAMSUNG

Samsung Gas Dryer

7.4 cu. ft. Capacity DOE



Signature Features

2017 ENERGY STAR® Certified

- Meets the strict 2017 energy efficiency specifications and standards.

Multi-Steam Technology

- Steam away wrinkles, odors, bacteria, and static.

Eco Dry

- Uses up to 25% less energy for every load.

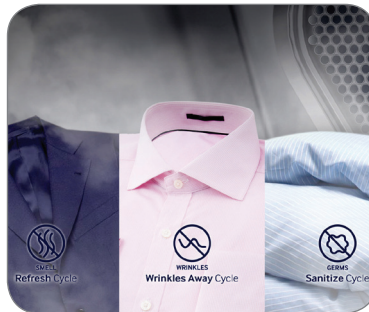
Available Colors



Black Stainless Steel



White



Multi-Steam Technology



Eco Dry

Features

- 2017 ENERGY STAR® Certified
- Multi-Steam Technology
- Eco Dry
- Sensor Dry
- Smart Care
- Integrated Controls
- 12 Preset Dry Cycles
- 10 Options
- 4 Temperature Settings
- Interior Drum Light
- 7.4 cu. ft. Capacity

- LED Display: Ice Blue
- Reversible See-Through Door
- Wrinkle Prevent Option
- 3-Way Venting
- Powder Coat Interior

Convenience

- Child Lock
- Filter Check Indicator

Rating



ENERGY STAR®-rated
607 kWh/yr

DVG52M8650V

SAMSUNG

Samsung Gas Dryer

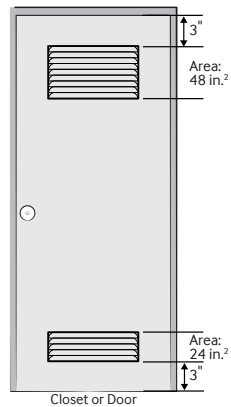
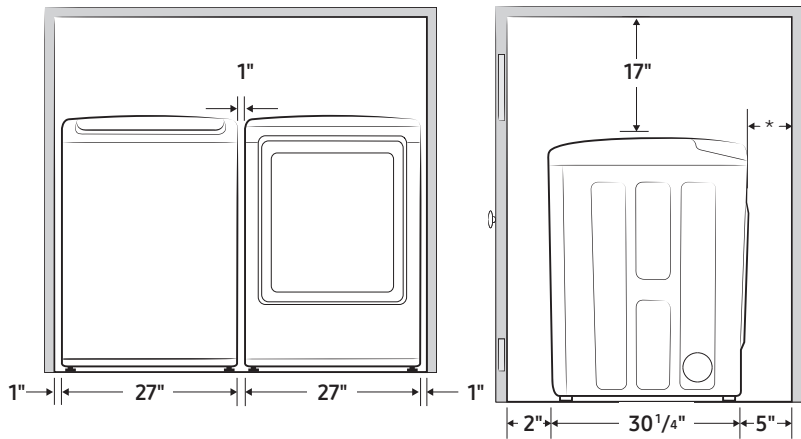
7.4 cu. ft. Capacity DOE

Installation Specifications

Alcove or closet installation

Recessed Area

Side View Confined



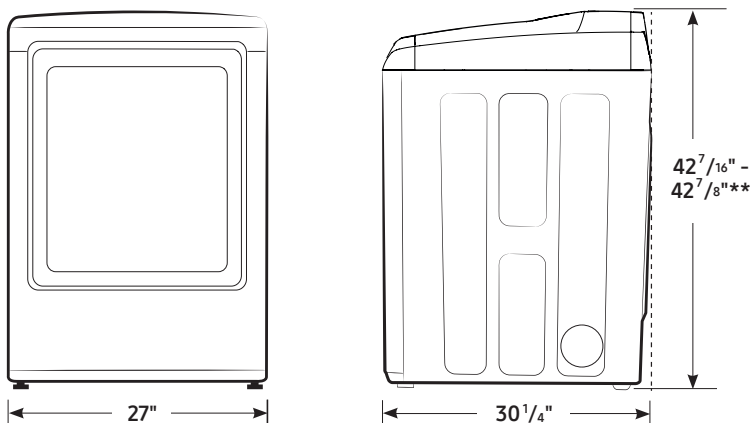
Minimum clearances for closets and alcoves:

Sides – 1"
Top – 17"
Rear – 5"
Closet Front – 2"

If the washer and dryer are installed together, the closet front must have at least a 72-inch² unobstructed air opening. Your washer alone does not require a specific air opening.

*Required spacing (External exhaust elbow may require additional space.)

Dimensions



**Adjustable height depending on leveling feet.

3-Way Venting

12 Preset Dry Cycles:

Steam Refresh, Steam Sanitize, Steam Wrinkle Away, Normal, Heavy Duty, Permanent Press, Bedding, Delicates, Active Wear, Time Dry, Air Fluff, Quick Dry

10 Options:

Mixed Load Bell, Wrinkle Prevent, Adjust Time (up), Adjust Time (down), Child Lock, Sound On/Off, Anti-Static, Eco Dry, Smart Care, Drum Light

4 Temperature Settings:

High, Medium, Low, Extra Low

4 Dry Levels:

Very Dry, More Dry, Normal Dry, Damp Dry

2 Sound Level Settings:

On/Off

Warranty

One (1) Year Parts and Labor

Product Dimensions & Weight (WxHxD)

Dimensions: 27" x 42⁷/₁₆" x 30¹/₄"

Weight: 121.3 lbs

Shipping Dimensions & Weight (WxHxD)

Dimensions: 29⁹/₁₆" x 45⁵/₈" x 31³/₁₆"

Weight: 130.1 lbs

Gas

Black Stainless Steel	DVG52M8650V	887276196909
White	DVG52M8650W	887276196916

Model

UPC Code

Electric

Black Stainless Steel	DVE52M8650V	887276196879
White	DVE52M8650W	887276196992

Matching Washer

Black Stainless Steel	WA52M8650AV	887276196442
White	WA52M8650AW	887276196459