

# DVG52M7750V

SAMSUNG

## Samsung Gas Dryer

7.4 cu. ft. Capacity DOE



### Signature Features

#### 2017 ENERGY STAR® Certified

- Meets the strict 2017 energy efficiency specifications and standards.

#### Multi-Steam Technology

- Steam away wrinkles, odors, bacteria, and static.

#### Eco Dry

- Uses up to 25% less energy for every load.

### Available Colors



Black Stainless Steel (shown)



White



Multi-Steam Technology



Eco Dry

### Features

- 2017 ENERGY STAR® Certified
- Multi-Steam Technology
- Eco Dry
- Sensor Dry
- Smart Care
- 13 Preset Dry Cycles
- 11 Options
- Interior Drum Light
- 7.4 cu. ft. Capacity
- LED Display: Ice Blue
- Wrinkle Prevent Option
- 3-Way Venting
- Powder Coat Interior
- Reversible See-Through Door

### Convenience

- Child Lock
- Filter Check Indicator

# DVG52M7750V

# SAMSUNG

## Samsung Gas Dryer

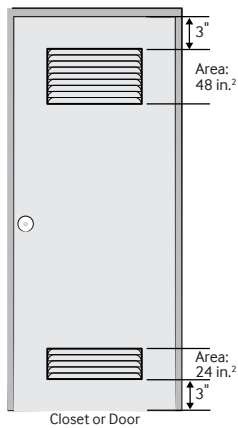
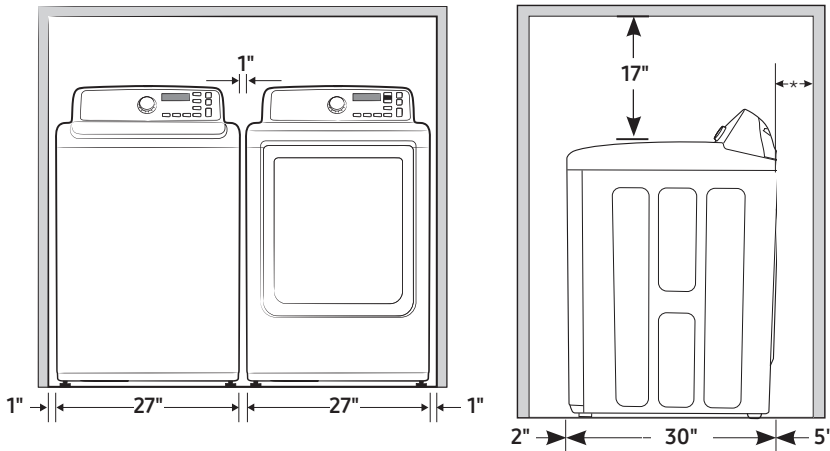
7.4 cu. ft. Capacity DOE

### Installation Specifications

#### Alcove or closet installation

Recessed Area

Side View Confined



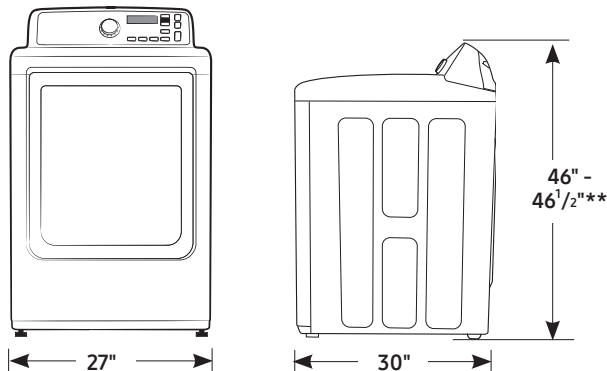
#### Minimum clearances for closets and alcoves:

- Sides – 1"
- Top – 17"
- Rear – 5"
- Closet Front – 2"

If the washer and dryer are installed together, the closet front must have at least a 72-inch<sup>2</sup> unobstructed air opening. Your washer alone does not require a specific air opening.

\*Required spacing (External exhaust elbow may require additional space.)

### Dimensions



\*\*Adjustable height depending on leveling feet.

Actual color may vary. Design, specifications, and color availability are subject to change without notice. Non-metric weights and measurements are approximate.

©2016 Samsung Electronics America, Inc. 85 Challenger Road, Ridgefield Park, NJ 07660. Tel: 800-SAMSUNG. samsung.com. Samsung is a registered trademark of Samsung Electronics Co., Ltd.

### 3-Way Venting

#### 13 Preset Dry Cycles:

Steam Refresh, Steam Sanitize, Steam Wrinkle Away, Normal, Heavy Duty, Towels, Permanent Press, Bedding, Delicates, Active Wear, Time Dry, Air Fluff, Quick Dry

#### 11 Options:

Mixed Load Bell, Wrinkle Prevent, Adjust Time (up), Adjust Time (down), My Cycle, Child Lock, Sound On/Off, Anti-Static, Eco Dry, Smart Care, Drum Light

#### 5 Temperature Settings:

High, Medium, Medium Low, Low, Extra Low

#### 5 Dry Levels:

Very Dry, More Dry, Normal Dry, Less Dry, Damp Dry

#### 2 Sound Level Settings:

On/Off

### Warranty

One (1) Year Parts and Labor

### Product Dimensions & Weight (WxHxD)

Dimensions: 27" x 46" x 30"

Weight: 121.3 lbs

### Shipping Dimensions & Weight (WxHxD)

Dimensions: 29 1/2" x 48 3/16" x 31 3/16"

Weight: 130.1 lbs

#### Gas

Gas	Model #	UPC Code
Black Stainless Steel	DVG52M7750V	887276197029
White	DVG52M7750W	887276197036

#### Model #

#### UPC Code

#### Electric

#### Matching Washer