

DVE52M8650V

SAMSUNG

Samsung Electric Dryer

7.4 cu. ft. Capacity DOE



Signature Features

2017 ENERGY STAR® Certified

- Meets the strict 2017 energy efficiency specifications and standards.

Multi-Steam Technology

- Steam away wrinkles, odors, bacteria and static.

Eco Dry

- Uses up to 25% less energy for every load.

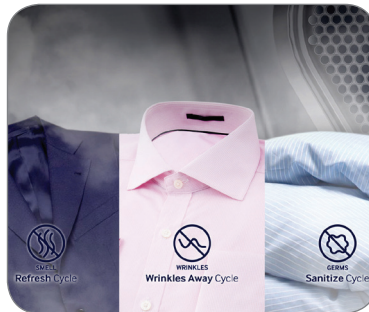
Available Colors



Black Stainless Steel
(shown)



White



Multi-Steam Technology



Eco Dry

Features

- 2017 ENERGY STAR® Certified
- Multi-Steam Technology
- Eco Dry
- Sensor Dry
- Smart Care
- Integrated Controls
- 12 Preset Dry Cycles
- 10 Options
- 4 Temperature Settings
- Interior Drum Light
- 7.4 cu. ft. Capacity

- LED Display: Ice Blue
- Reversible See-Through Door
- Wrinkle Prevent Option
- 4-Way Venting
- Powder Coat Interior

Convenience

- Child Lock
- Filter Check Indicator

Rating



ENERGY STAR®-rated
607 kWh/yr

DVE52M8650V

SAMSUNG

Samsung Electric Dryer

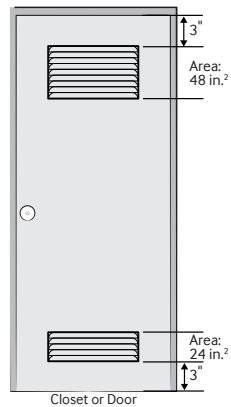
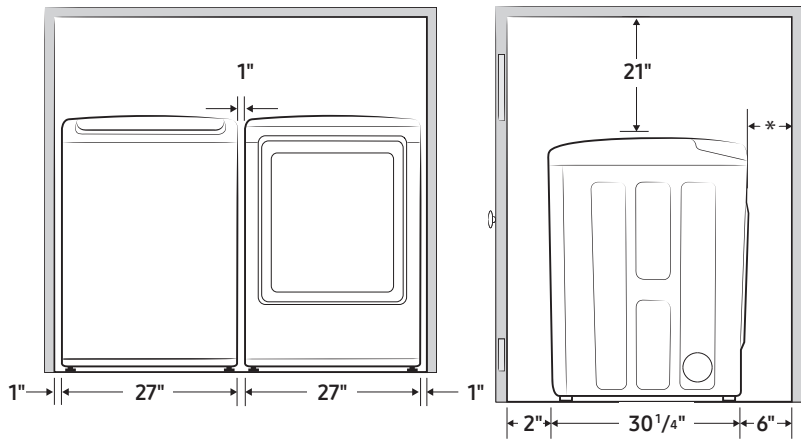
7.4 cu. ft. Capacity DOE

Installation Specifications

Alcove or closet installation

Recessed Area

Side View Confined



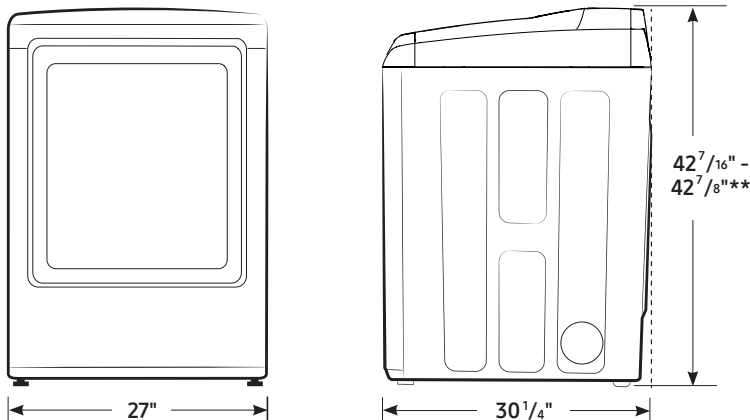
Minimum clearances for closets and alcoves:

Sides – 1"
Top – 21"
Rear – 6"
Closet Front – 2"

If the washer and dryer are installed together, the closet front must have at least a 72-inch² unobstructed air opening. Your washer alone does not require a specific air opening.

*Required spacing (External exhaust elbow may require additional space.)

Dimensions



**Adjustable height depending on leveling feet.

4-Way Venting

12 Preset Dry Cycles:

Steam Refresh, Steam Sanitize, Steam Wrinkle Away, Normal, Heavy Duty, Permanent Press, Bedding, Delicates, Active Wear, Time Dry, Air Fluff, Quick Dry

10 Options:

Mixed Load Bell, Wrinkle Prevent, Adjust Time (Up), Adjust Time (Down), Child Lock, Sound On/Off, Anti-Static, Eco Dry, Smart Care, Drum Light

4 Temperature Settings:

High, Medium, Low, Extra Low

4 Dry Levels:

Very Dry, More Dry, Normal Dry, Damp Dry

2 Sound Level Settings:

On/Off

Warranty

One (1) Year Parts and Labor

Product Dimensions & Weight (WxHxD)

Dimensions: 27" x 42⁷/₁₆" x 30¹/₄"

Weight: 121.3 lbs

Shipping Dimensions & Weight (WxHxD)

Dimensions: 29⁹/₁₆" x 45⁵/₈" x 31³/₁₆"

Weight: 130.1 lbs

Electric

Black Stainless Steel

White

Model

DVE52M8650V

DVE52M8650W

UPC Code

887276196879

887276196992

Gas

Black Stainless Steel

White

DVG52M8650V

DVG52M8650W

887276196909

887276196916

Matching Washer

Black Stainless Steel

White

WA52M8650AV

WA52M8650AW

887276196442

887276196459