

DV42H5200GP

Samsung Front-Load Gas Dryer

7.5 cu. ft. Capacity DOE

Features

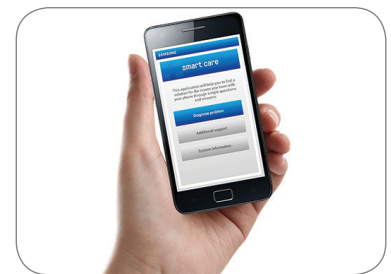
- Steam Drying Technology:
 - Steam Refresh
 - Steam Wrinkle Away
- Smart Care
- 11 Preset Drying Cycles
- 10 Options
- 4 Temperature Settings
- 3-Way Venting
- Sensor Dry – Detects Moisture and Adjusts Drying Time
- Dryer Drum Light
- Reversible See-Through Door

Convenience

- Child Lock
- My Cycle Option
- Lint Filter Indicator



Steam Dry



Smart Care

Available Colors:



Platinum
(shown)



White

Signature Features

STEAM DRY

- Steam away wrinkles.
- Helps remove odors and freshen clothes.
- Spend less time ironing.
- Fewer trips to the dry cleaner.

SMART CARE

- Troubleshoot with your smartphone.
- Perform a quick diagnosis of your washer and dryer right from your smartphone.*

*Available for iPhone 4/4S/5/5S and Galaxy S1/S2/S3/S4 NOTE/NOTE2.

SENSOR DRY

- Automatically adjusts drying time by sensing moisture so your clothes don't over or under dry.

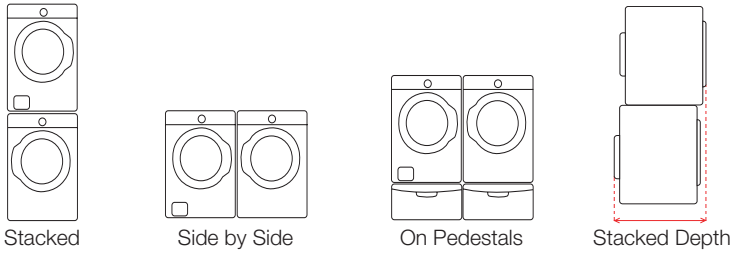


SAMSUNG

DV42H5200GP

Samsung Front-Load Gas Dryer

Installing Options



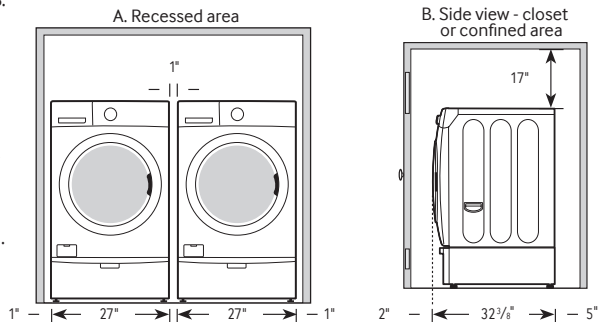
Installing Your Dryer

1. Alcove or closet installation

MINIMUM CLEARANCES FOR CLOSET AND ALCOVE INSTALLATIONS:

Sides – 1"
Rear – 5⁷/₈"
Top – 17"
Closet Front – 2"

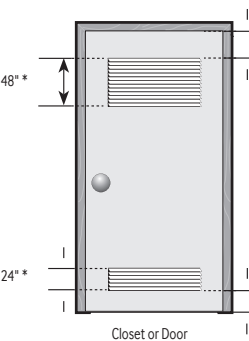
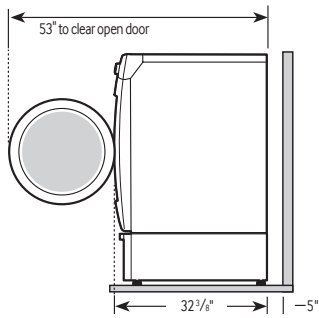
If the washer and dryer are installed together, the closet front must have at least a 72" unobstructed air opening. Your washer alone does not require a specific air opening.



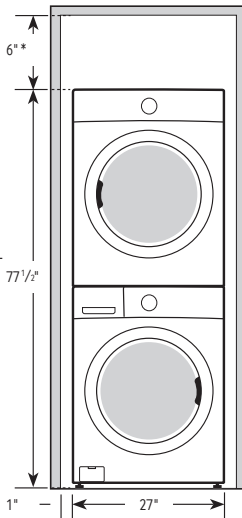
Dimensions

2. With optional pedestal base or stacking kit

Required Dimensions for Installation with Pedestal



Required Dimensions for Installation with Stacking Kit



*Required spacing.
**External exhaust elbow requires additional space.

7.5 cu. ft. Capacity DOE

3-Way Venting

11 Preset Dry Cycles:

Steam Refresh, Steam Wrinkle Away, Normal, Heavy Duty, Permanent Press, Bedding, Delicates, Sanitize, Time Dry, Air Fluff, Quick Dry

10 Options:

Mixed Load Bell, Wrinkle Prevent, Anti Static, Small Load Care, My Cycle, Adjust Time, Sound, Child Lock, Smart Care, Drum Light

4 Temperature Settings:

High, Medium, Low, Extra Low

4 Dry Levels:

Very Dry, More Dry, Normal Dry, Damp Dry

2 Signal Level Settings:

On/Off

Warranty

One (1) Year Parts and Labor

One (1) Year Control Board

Three (3) Years Stainless Steel Drum

Ten (10) Years Direct Drive Motor

Product Dimensions & Weight (WxHxD)

Dimensions: 27" x 38¹¹/₁₆" x 32³/₈"

Weight: 126 lbs

Shipping Dimensions & Weight (WxHxD)

Dimensions: 29¹/₄" x 42¹/₄" x 33¹/₂"

Weight: 134 lbs

Gas

Platinum

White

Model

DV42H5200GP

DV42H5200GW

UPC Code

887276963235

887276963242

Electric

Platinum

White

Model

DV42H5200EP

DV42H5200EW

UPC Code

887276963204

887276963211

Matching Washer

Platinum

White

WF42H5200AP

WF42H5200AW

887276963082

887276962993

SAMSUNG

Actual color may vary. Design, specifications, and color availability are subject to change without notice. Non-metric weights and measurements are approximate.

©2016 Samsung Electronics America, Inc. 85 Challenger Road, Ridgefield Park, NJ 07660. Tel: 800-SAMSUNG. samsung.com. Samsung is a registered trademark of Samsung Electronics Co. Ltd.