

30" Range Hood

NK30M9600

Available Colors

Matte Black Stainless Steel (shown)
Stainless Steel



Auto heat-sensing hood automatically adjusts the fan speed based on heat coming from the cooktop.

Bluetooth connects the range* or cooktop* to the hood and automatically starts when they turn on.

Dishwasher safe baffle filters help keep the air clean by drawing grease and odor through the hood.

*When connected with a compatible Samsung range/cooktop



Auto Heat-Sensing



Baffle Filter

Features

- Optional Performance CFM Conversion up to 600 CFM
- LED Lighting
- Wi-Fi Monitoring
- 4 Fan Speeds including Booster
- Wall Mounted Chimney Style Design
- Digi-Touch Control
- 74 dBA (10.8 sonnes) Noise Level
- Exterior Venting & Recirculating Capable
- Optional Recirculating Kit Available
- Optional Extension Kit Available
- ADA Compliant

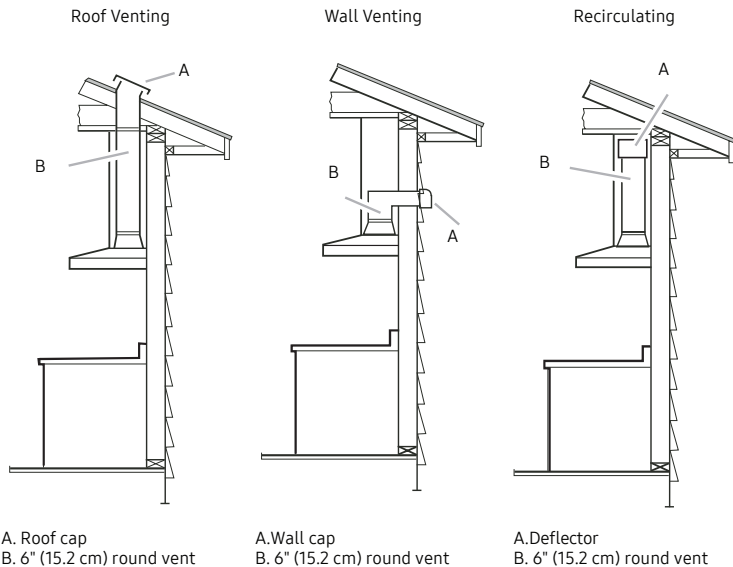


ADA Compliant

30" Range Hood

NK30M9600

Venting Methods



Total Power
220W

Power Source
120V / 60 Hz / 15A

Range Hood

- 30" Stainless Steel Chimney Hood
- Auto Heat-Sensing
- Vent Fan: 390 CFM (600 CFM Optional)
- Front-Centered, Touch Control
- 4 Fan Speeds: 3 Step, 1 Booster
- 74 dBA (10.8 sonnes) Noise Level
- Hood Connectivity Control
- Bluetooth On/Off Control
- Mobile Monitoring: Fan Speed, Lighting On/Off, Power Control
- Removable Baffle Filter
- LED Lighting

Warranty

One (1) Year All Parts and Labor

Product Dimensions & Weight (WxHxD)

Outside (Max) Hood Dimensions:
30" x 25⁷/₁₆" x 19¹¹/₁₆"

Weight: 44.1 lbs.

Shipping Dimensions & Weight (WxHxD)

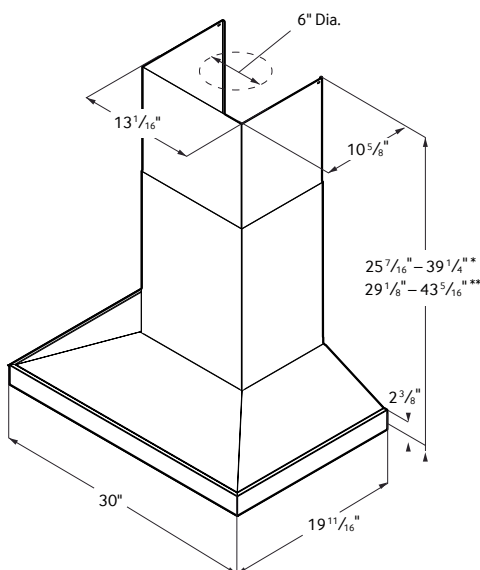
Dimensions:
34¹/₄" x 26¹/₂" x 18¹/₁₆"

Weight: 56.7 lbs.

Dimensions and Clearance

*For Vented Installation

**For Non-Vented Recirculating Installation



Color

Stainless Steel

Matte Black

Stainless Steel

Model

NK30M9600WS

NK30M9600WM

NK30M9600WM

UPC Code

887276240435

887276240428

Hood Extension Kit

NK-AE905LWS

NK-AE905LWM

Recirculation Kit

NK-AF030FNB

Charcoal Filter

NK-AR050FNB