

30" Gas Cooktop

NA30M9750

Available Colors

Matte Black Stainless Steel (shown)
Stainless Steel



Sleek, smooth beveled front control design with edge to edge matte finish cast iron grates.

22K Dual Power burner provides two independent heating burners offering intense heat and precise control to quickly boil water or slowly melt chocolate without scorching.

Bluetooth connectivity automatically starts the hood* when the cooktop turns on.

*With compatible Samsung ventilation hood



22K Dual Power Burner



Bluetooth Connectivity

Features

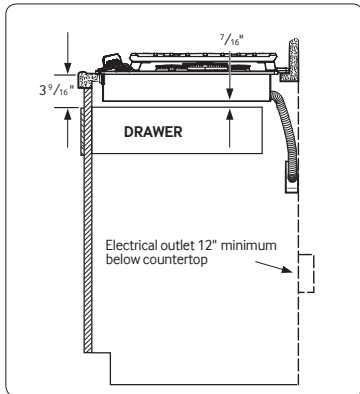
- Cast Iron Griddle
- Wok Grate
- Easy-to-reach, Front Linear Controls
- Powerful Cooktop with 5 Burners
 - Right Front: 13K BTU
 - Left Front: 9.5K BTU
 - Right Rear: 5K BTU
 - Left Rear: 9.5K BTU
 - Center: 22K BTU (Dual Brass)
- Cast Iron 3-Piece Grates
- Cooktop On/Off Monitoring
- Sealed Burners
- LP Conversion Kit
- Can be installed over a single oven

30" Gas Cooktop

NA30M9750

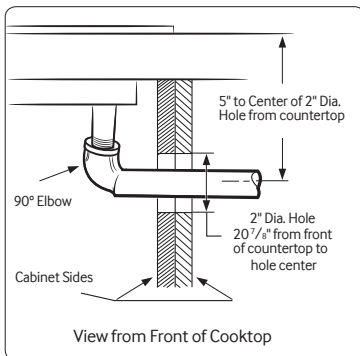
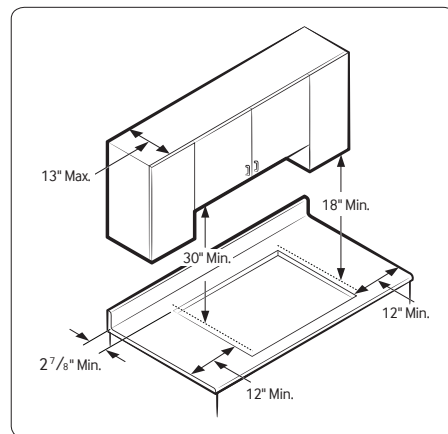
Cut-Out Dimensions of Countertop

All horizontal clearances must be maintained for a minimum of 18" above the cooking surface.



Allow 7/16" minimum vertical clearance from the cooktop bottom (or 3 3/16" minimum depth from the countertop) to any combustible surfaces, including the upper edge of a drawer installed below the cooktop.

Maintain the following minimum clearance dimensions.



See built-in oven manual for complete installation instructions.

Total Power (BTU)

59K

Power Source

120V / 60 Hz / 1A

Gas Cooktop (BTU)

- Right Front: 13K
- Left Front: 9.5K
- Right Rear: 5K Simmer
- Left Rear: 9.5K
- Center: 22K (Dual Brass)

Warranty

One (1) Year All Parts and Labor

Product Dimensions & Weight (WxHxD)

Outside (Max) Cooktop Dimensions:
30" x 5 41/72" x 22 1/3"

Cooktop Cut-Out Dimensions:
28 1/2" x 3 1/8" x 19 5/8"

Weight: 75.0 lbs.

Shipping Dimensions & Weight (WxHxD)

Dimensions: 34 11/16" x 10 5/8" x 25 5/8"
Weight: 84.9 lbs.

Color

Stainless Steel

Model

NA30M9750TS

UPC Code

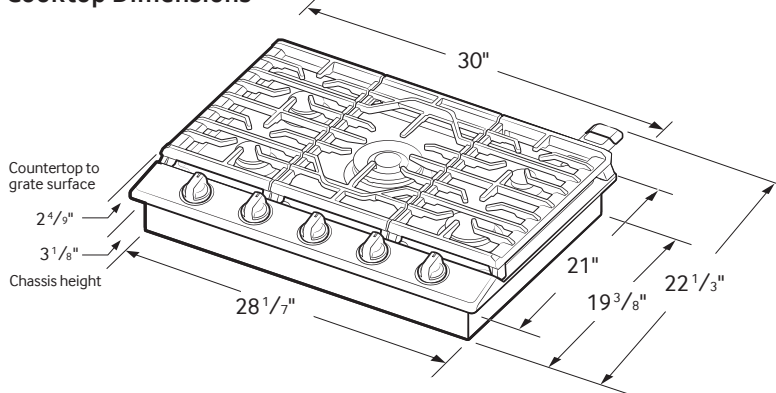
887276238333

Matte Black

Stainless Steel NA30M9750TM

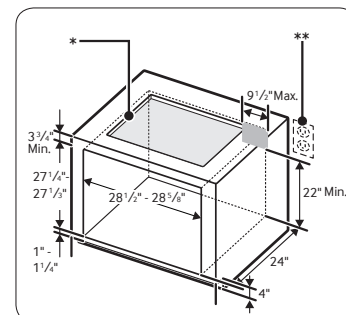
887276238326

Cooktop Dimensions



Installing Your Cooktop

Can be installed over a single oven.



- * See built-in oven installation for complete installation instructions. See label on top of approved built-in oven models.
- ** Refer to installation manual of oven.