

# NA30K6550TS

## 30" Gas Cooktop

### Features

- Wi-Fi Connectivity
- Powerful Cooktop
  - Right Front: 13K BTU
  - Left Front: 9.5K BTU
  - Right Rear: 5K BTU
  - Left Rear: 9.5K BTU
  - Center: Dual, 19K BTU
- Cast Iron 3-Piece Grates
- Sealed Burners
- Burner On/Off Monitoring
- ADA Compliant



### Convenience

- LP Conversion Kit



ADA Compliant



19K Power Burner



LED Illuminated Backlit Knobs

### Available Colors



Stainless Steel (shown)



Black Stainless Steel

### Signature Features

#### 19K POWER BURNER

- Powerful burner boils water faster.

#### GRIDDLE

- Cook breakfast foods, grill sandwiches, or sauté vegetables on the griddle.

#### LED ILLUMINATED BACKLIT KNOBS

- Visually lets you know your cooktop is on, even at a distance.

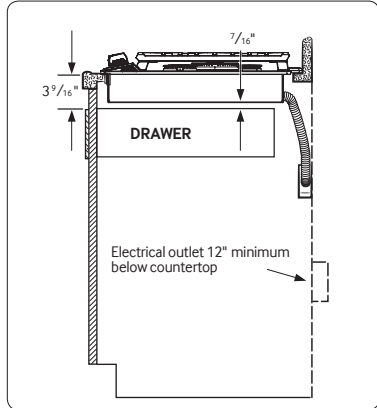
# NA30K6550TS

## 30" Gas Cooktop

### Installing Your Cooktop

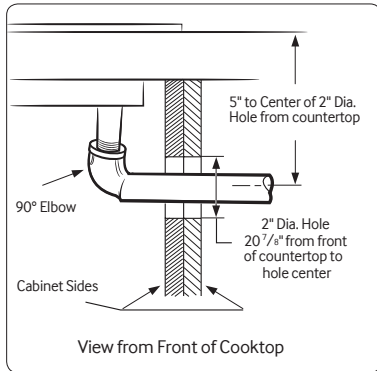
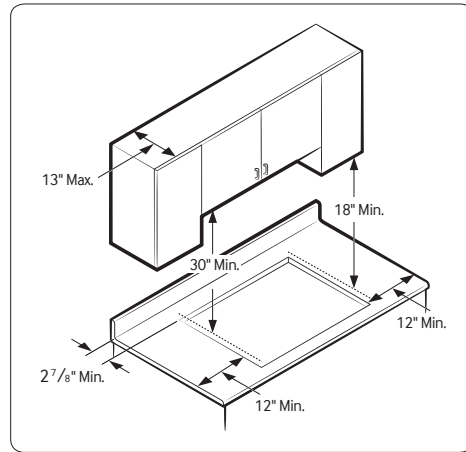
Can be installed over a single oven.

All horizontal clearances must be maintained for a minimum of 18" above the cooking surface.



Allow  $\frac{7}{16}$ " minimum vertical clearance from the cooktop bottom (or  $\frac{3}{16}$ " minimum depth from the countertop) to any combustible surfaces, including the upper edge of a drawer installed below the cooktop.

Maintain the following minimum clearance dimensions.



View from Front of Cooktop

See built-in oven manual for complete installation instructions.

### Total Power (BTU)

56K

### Power Source

120V / 60 Hz / 20A

### Gas Cooktop (BTU)

- Right Front: 13K
- Left Front: 9.5K
- Right Rear: 5K Simmer
- Left Rear: 9.5K
- Center: 19K (Dual)

### Warranty

One (1) Year All Parts and Labor

### Product Dimensions & Weight (WxHxD)

Outside (Max) Cooktop Dimensions:

30" x 5<sup>41</sup>/<sub>72</sub>" x 22<sup>1</sup>/<sub>3</sub>"

Cooktop Cut-Out Dimensions:

28<sup>1</sup>/<sub>2</sub>" x 3<sup>1</sup>/<sub>8</sub>" x 19<sup>5</sup>/<sub>8</sub>"

Weight: 27.1 lbs. (27.6 lbs. Black Stainless Steel)

### Shipping Dimensions & Weight (WxHxD)

Dimensions:

34<sup>11</sup>/<sub>16</sub>" x 10<sup>5</sup>/<sub>8</sub>" x 25<sup>5</sup>/<sub>8</sub>"

Weight: 74.5 lbs. (75.0 lbs. Black Stainless Steel)

### Color

Stainless Steel

Black Stainless Steel

### Model #

NA30K6550TS

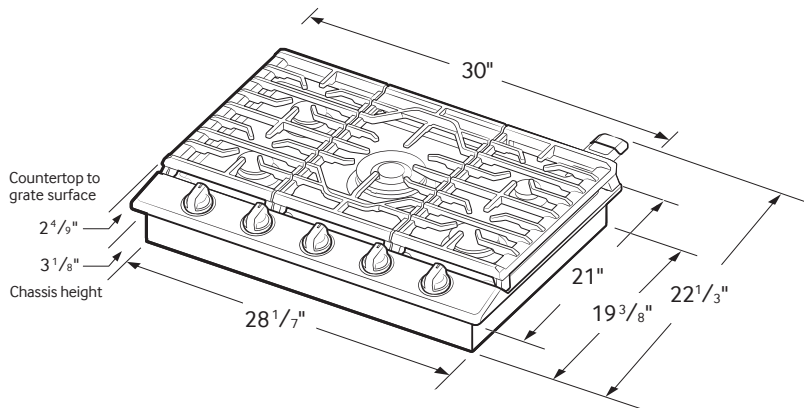
NA30K6550TG

### UPC Code

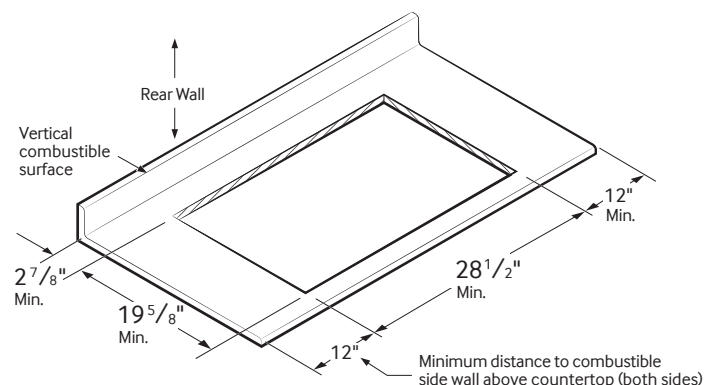
887276183473

887276183251

### Cooktop Dimensions



### Cut-Out Dimensions of Countertop



**SAMSUNG**

Actual color may vary. Design, specifications, and color availability are subject to change without notice. Non-metric weights and measurements are approximate.

©2017 Samsung Electronics America, Inc. 85 Challenger Road, Ridgefield Park, NJ 07660. Tel: 800-SAMSUNG. samsung.com. Samsung is a registered trademark of Samsung Electronics Co., Ltd.