

4-Door Flex, 42" Built-In Refrigerator

23.5 cu. ft. Capacity

BRF425200

Available Colors*

Matte Black Stainless Steel (shown)

Stainless Steel

Panel Ready

*Refrigerator comes panel ready. Stainless Steel and Matte Black Stainless Steel require additional purchase of accessory kit.

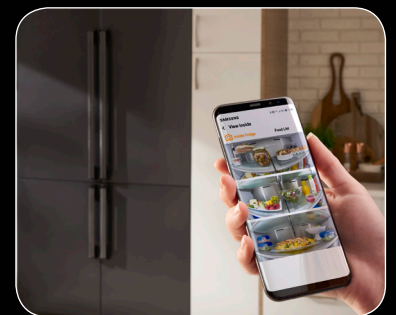
Integrated flush mount, counter height, panel ready design, seamlessly blends in with cabinetry, and aligns perfectly with countertops.

Wi-Fi enabled, with remote view cameras. Allows you to view what's inside your refrigerator directly from your mobile device.

FlexZone™ is a convertible zone that has 4 different temperature settings, allowing you to easily switch from freezer to refrigerator.



FlexZone™



Remote View Camera

Features

- Framed LED Lighting
- Integrated Flush Mount and Counter-Height Design
- Chef Triple Cooling System
- Large Capacity – 23.5 cu. ft.
- Precise Chef Cooling
- Metal Cooling
- Electronic Touch Controls
- Deodorizing Filter
- Ice Maker
- Tempered Glass Spill-Proof Shelves
- Wi-Fi Embedded
- Humidity-Controlled Crispers
- ENERGY STAR® Compliant
- Internal Filtered Water Dispenser
- Child Lock
- Sabbath Mode
- Door Alarm
- Samsung Genuine Water Filter with Indicator

Rating



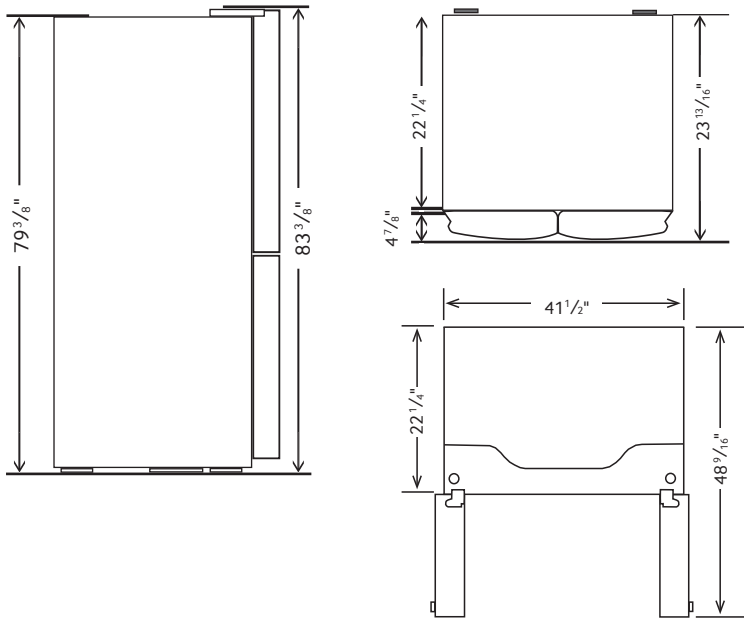
ENERGY STAR®-rated:
629 kWh/yr

4-Door Flex, 42" Built-In Refrigerator

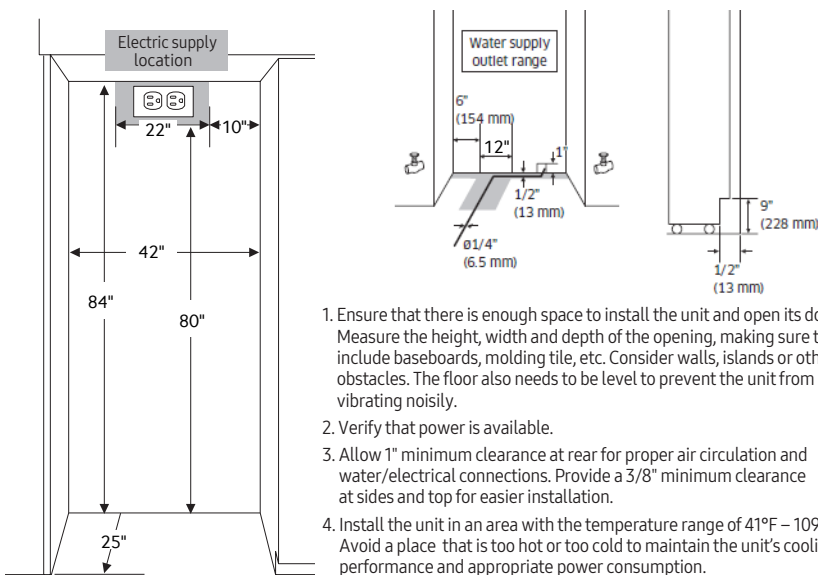
23.5 cu. ft. Capacity

BRF425200

Dimensions



Installation Specifications



1. Ensure that there is enough space to install the unit and open its door. Measure the height, width and depth of the opening, making sure to include baseboards, molding tile, etc. Consider walls, islands or other obstacles. The floor also needs to be level to prevent the unit from vibrating noisily.
2. Verify that power is available.
3. Allow 1" minimum clearance at rear for proper air circulation and water/electrical connections. Provide a 3/8" minimum clearance at sides and top for easier installation.
4. Install the unit in an area with the temperature range of 41°F – 109°F. Avoid a place that is too hot or too cold to maintain the unit's cooling performance and appropriate power consumption.

Total Capacity: 23.5 cu. ft.

Refrigerator: 16.8 cu. ft.

- Ice Maker
- 2 Humidity-Controlled Crispers with Soft Close Doors
- 6 Door Bins
- Chef Pantry with 3 Temperature Controls:
 - Cheese (37° F)
 - Cold Drinks (33° F)
 - Meat (29° F)
- 5 Tempered Glass Spill-Proof Shelves
- Precise Chef Cooling
- Framed LED Lighting

Freezer: 6.7 cu. ft.

- 2 Freezer Drawers with Soft Close Doors
- Metal Cooling
- LED Lighting

Flex Zone™: 3.4 cu. ft.

- Precise Chef Cooling with 4 Temperature Zones:
 - 41°F, – 30.2°F, – 23°F, – -9.4°F to 5°F

Accessories

- Water Filter: HAF-QIN/EXP

Warranty

Two (2) Years Parts and Labor on Refrigerator

Five (5) Years Parts and Labor on

Sealed Refrigeration System Only*

Ten (10) Years Parts and Five (5) Years

Labor on Digital Inverter Compressor

*Compressor, evaporator, condenser, drier and connecting tubing.

Product Dimensions & Weight

Dimensions (WxHxD with hinges, handles and doors):

41¹/₄" x 83³/₈" x 25"

Dimensions (WxHxD without hinges and door):

41¹/₄" x 79⁷/₁₆" x 22¹/₄"

Dimensions (WxHxD with hinge and door, no handle):

41¹/₄" x 83³/₈" x 23¹³/₁₆"

Weight: 617 lbs.

Shipping Dimensions & Weight (WxHxD)

Dimensions: 47" x 87¹⁵/₁₆" x 30⁹/₁₆"

Shipping Weight: 677 lbs.

Color*

Stainless Steel

Model

RAT42ACAAS4

UPC Code

887276240138

Matte Black

Stainless Steel

RAT42ACAAMS

887276240121

Panel Ready

BRF425200AP

887276235127

Please note: The following dimension and cutout information is for planning purposes only. For complete installation details, consult manual packed with product, or download manual online at samsung.com.

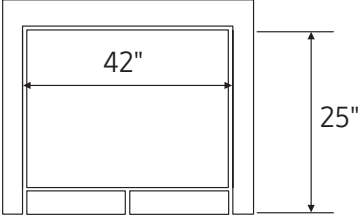
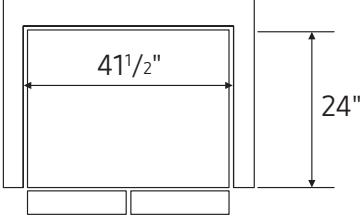
*Refrigerator comes panel ready. For Stainless Steel or Matte Black Stainless Steel, additional purchase of accessory kit required.

4-Door Flex, 42" Built-In Refrigerator

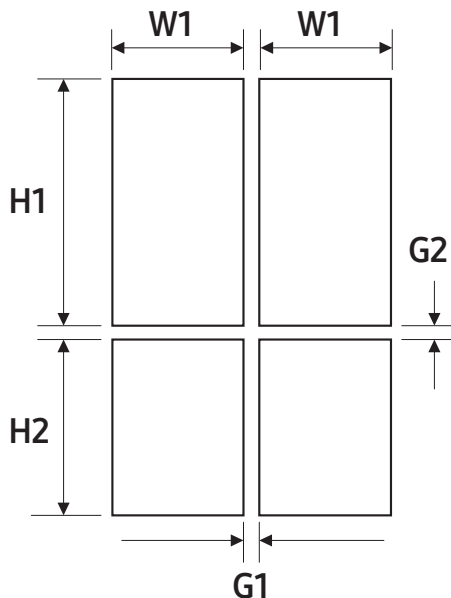
23.5 cu. ft. Capacity

BRF425200

Remodeling Cut Out

Type	Remodeling Cut Out (42")	Classic Cut Out (41½")
	Frameless	Overlay
Image		
Height	84" (2134 mm)	
Depth	25" (635 mm)	24" (610 mm)
Width	42" (1067 mm)	41½" (1054 mm)

Custom Panel Specifications



Custom Panel Specifications	
Callout	42"
W1	20 ²⁵ / ₃₂ " (528 mm)
H1	49 ³ / ₁₆ " (1249 mm)
H2	30 ⁹ / ₁₆ " (776 mm)
G1	5 ⁵ / ₃₂ " (4 mm)
G2	5 ⁵ / ₃₂ " (4 mm)
Panel Thickness	3 ³ / ₄ " (19 mm)

42"	
Custom Panel Maximum Weight	Fridge: 55.0 lb (25 kg)
	Freezer: 22.0 lb (10 kg)

Do not exceed the max load that the custom panel can endure. Before crafting the panel, check the strength of the panel's material and the load of attachments to the panel.

NOTE: Standard Custom Panel thickness is 3³/₄" (19 mm).