

Bold 3.0 Series Cabinetry

INSTALLATION GUIDE



WARNING: Excessive weight hazard!

Use two or more people to move, assemble, or install cabinets and locker to avoid back injury. Do not leave children unattended near cabinets. High risk of tipping if cabinets are installed incorrectly: securely attach cabinets to the wall to avoid serious injury. For assistance, call 1.877.306.8930; e-mail at info@newageproducts.com.



ATTENTION:

Is your cabinet damaged?
Need help or spare parts? For fastest service, contact NewAge Products at 1-877-306-8930; or support@newageproducts.com. Do not return to the retailer.

Index

NewAge Products Inc. Garage Series Manufacturer Warranty	3
Unpacking	4
Tools Needed	4
Parts Supplied	5
Worktops, Guidelines and Weight Capacity	6
Installing the Feet	7
Installing the Casters	8
Installing Drawers	9
Installing Corner Cabinet	10
Stacking Cabinets	11
Installing Worktop Side Support Bracket	12
Mounting the Worktop (on Two Cabinets)	13
Mounting the fan onto Extended Lockers (Optional)	14
Installing Cabinet Shelves	16
Mounting Cabinets to Drywall/ Stud Wall	17
Hanging Cabinets on Slatwall	18
Fastening Cabinets Together	19
Attaching Light Valance to Wall Cabinets	20
Utility Access	21

NEWAGE PRODUCTS INC. GARAGE SERIES MANUFACTURER WARRANTY

PROOF OF PURCHASE IS REQUIRED TO OBTAIN WARRANTY SERVICE.

Please have the following information available when you call our customer service team:

- Name, address and telephone number
- Product Name / SKU Number
- A clear, detailed description of the problem
- Proof of purchase including order number

Register your NewAge Products purchase online for quicker customer assistance and access to exclusive benefits

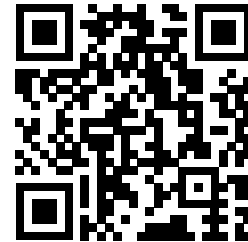
Visit www.newageproducts.com/register/

Warranty Claim

For warranty service please contact NewAge Products at **1-877-306-8930**; or support@newageproducts.com

Please review all warranty details below, prior to contacting NewAge Products for a claim.

Scan the QR code on the right to access our support page or visit www.newageproducts.com/contact-us/



Scan this QR code with the camera on your mobile device to visit the NewAge Products Support Hub

www.newageproducts.com/support-hub/

LIFETIME LIMITED WARRANTY

WHAT IS COVERED

When this product is installed, operated and maintained according to the instructions attached to or furnished with the product, NewAge Products Inc. will replace the defective product or parts if the part fails as a result of defective materials or workmanship for the warranty duration from the purchase date of the product.

WHAT IS NOT COVERED

1. Service calls to correct the installation of any NewAge products or to instruct you how to use or install them.
2. Damage resulting from products caused by accident, misuse, abuse, fire, flood, improper installation, acts of God, neglect, modification or mishandling.
3. Products damaged by improperly loading beyond the specified maximum weight capacity outlined in the instructions provided with the product.
4. Repairs or replacement when your product is used in other than normal, residential use, such as a commercial environment, or handled in anyway inconsistent with the installation instructions included with the product.
5. Cosmetic damage, including scratches, dings, dents or cracks in paint that do not affect the structural or functional capability of the product.
6. Surfaces damaged due to improper use of chemicals, and detergents.
7. Replacement parts for NewAge products outside Canada and the United States.
8. Loss due to theft.
9. Damage resulting from use of the product contrary and not in accordance to the instruction manual.
10. Any labor costs during the warranty period.
11. Replacement keys or locking mechanisms.

DISCLAIMER OF IMPLIED WARRANTIES

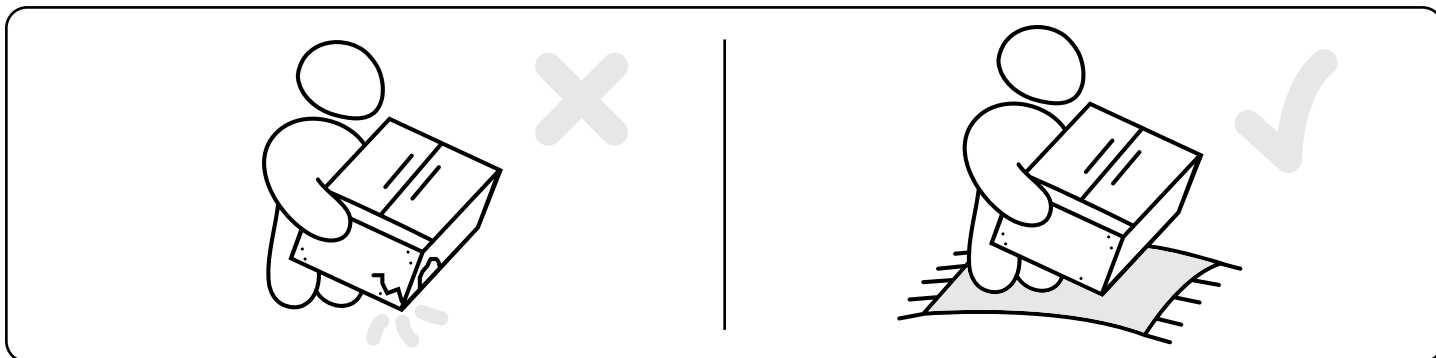
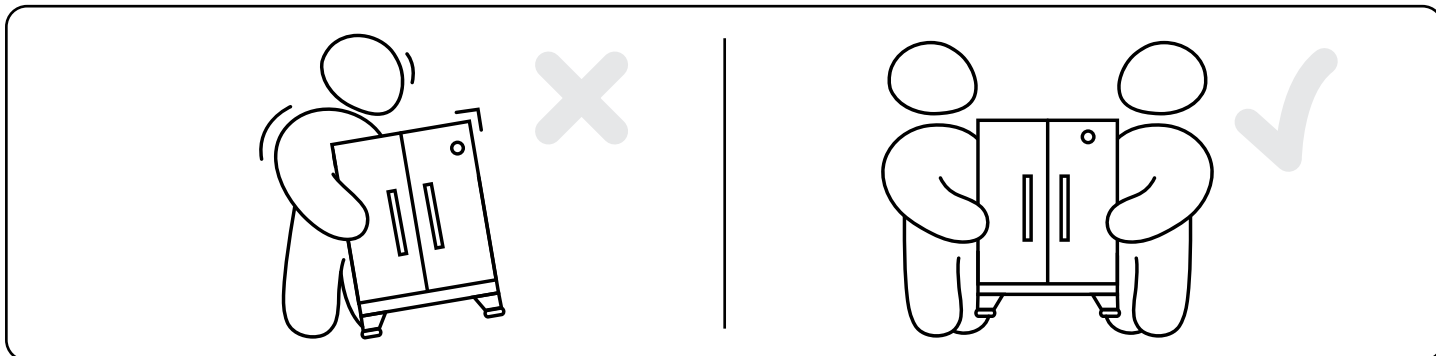
IMPLIED WARRANTIES, INCLUDING TO THE EXTENT APPLICABLE WARRANTIES OF MERCHANTABILITY OR FITNESS FOR A PARTICULAR PURPOSE, ARE EXCLUDED TO THE EXTENT LEGALLY PERMISSIBLE. ANY IMPLIED WARRANTIES THAT MAY BE IMPOSED BY LAW ARE LIMITED TO ONE YEAR, OR THE SHORTEST PERIOD ALLOWED BY LAW. THIS WARRANTY IS LIMITED TO THE ORIGINAL BUYER. Some states and provinces do not allow limitations on the duration of implied warranties of merchantability or fitness, so this limitation may not apply to you. This warranty gives you specific legal rights, and you also may have other rights that vary from state to state or province to province.

LIMITATION OF REMEDIES; EXCLUSION OF INCIDENTAL AND CONSEQUENTIAL DAMAGES

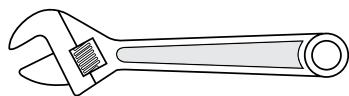
YOUR SOLE AND EXCLUSIVE REMEDY UNDER THIS LIMITED WARRANTY SHALL BE PRODUCT REPAIR OR REPLACEMENT AT OUR DISCRETION AS PROVIDED HEREIN. NEWAGE SHALL NOT BE LIABLE FOR INCIDENTAL OR CONSEQUENTIAL DAMAGES. Some states and provinces do not allow the exclusion or limitation of incidental or consequential damages, so these limitations and exclusions may not apply to you. This warranty gives you specific legal rights, and you also may have other rights that vary from state to state or province to province.

Unpacking

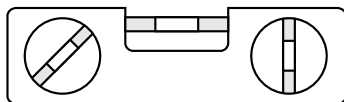
- Begin by placing the package on a covered flat surface.
- Remove all cardboard, foam packaging material and clear plastic bags.
- Dispose / recycle all packaging materials.
- Verify all the contents in the box and gather the required tools. See "Parts" and "Tools Needed" in the list below.



Tools Needed



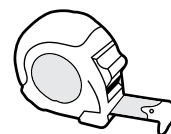
1 x Adjustable wrench



1 x 12" Magnetic Leveler



1 x Stud Finder



1 x Tape Measure

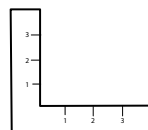


1 x 7/16" Socket driver wrench

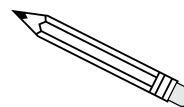
1 x 8mm" Socket driver wrench



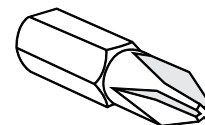
1 x 7/16" socket



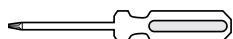
1 x Set Square



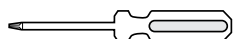
1 x Pencil



1 x #2 Phillips Bit



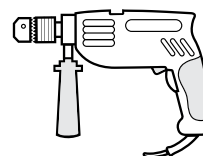
1 x #2 Phillips head screw driver



1 x #3 Phillips head screw driver



1 x Cordless Power Drill



1 x Hammer Drill

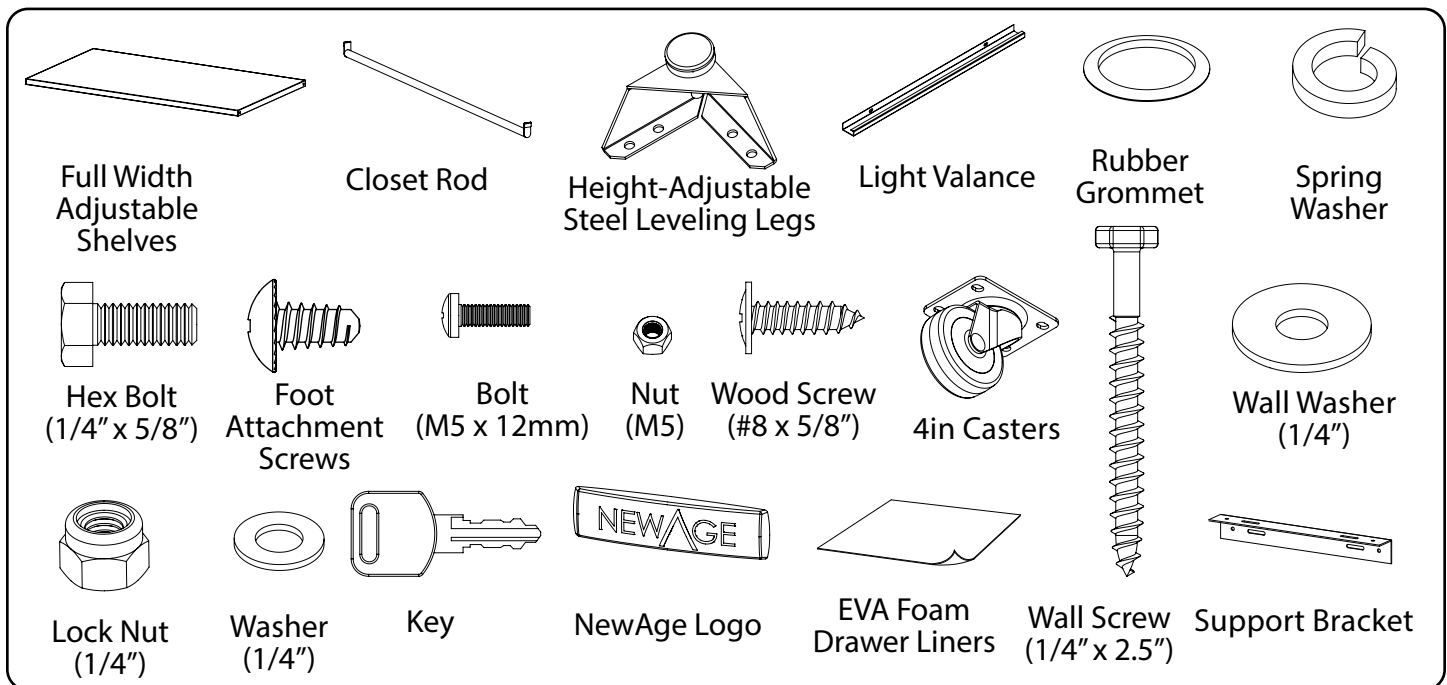


1 x Masonry Bit

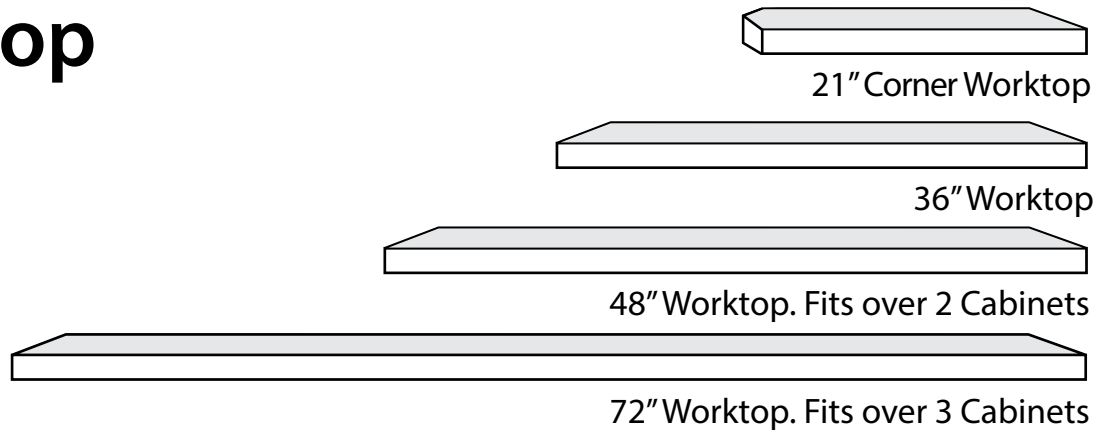
[optional for masonry]

Parts Supplied

Type	Hardware	30in Locker	42in Locker	Wall	Corner Wall	Base Cabinet	Rolling Tool Cabinet	Tool Cabinet	36" Extended Lockers	48" Extended Lockers
Hardware Pack	#8 x 5/8" Wood Screw	2	2	0	8	4	0	4	2	2
	1/4" ID x 1/2" OD Washer	22	22	8	8	8	17	8	16	16
	Spring Washer	0	0	0	0	0	17	0	0	0
	1/4" Lock Nut	8	8	4	0	4	0	4	8	8
	1/4" x 0.9" Fender Washer	4	6	4	8	4	0	4	4	4
	1/4" x 2.5" Wall Screw	4	6	4	8	4	0	4	4	6
	1/4"-20 x 5/8" Hex Bolts	10	10	4	8	4	17	4	8	8
	Foot Attachment Screws	17	17	0	0	17	0	17	17	17
	Keys	2	2	2	2	2	2	2	2	2
	Light Valence Bolts	0	0	2	2	0	0	0	0	0
	Light Valence Nuts	0	0	2	2	0	0	0	0	0
Additional Hardware	Plastic Hole Caps	16	16	8	0	0	0	0	16	16
	Adjustable Leveling Feet	4	4	0	0	4	0	4	4	4
	Power Cord Grommet - 2in	1	1	0	0	1	0	0	2	2
Included Components	4in Swivel Casters	0	0	0	0	0	2	0	0	0
	4in Fixed Casters with Brakes	0	0	0	0	0	2	0	0	0
	Adjustable Shelves	3	3	0	0	1	0	0	3	3
	Cabinet Leg	4	4	0	0	4	0	4	4	4
	Closet Rod	1	1	0	0	0	0	0	1	1
	EVA Foam Drawer Liners	0	0	0	0	0	4	4	0	0
	Light Valence	0	0	1	1	0	0	0	0	0
NewAge Logo	1	1	0	0	0	0	0	1	1	
Included Brackets	Side Support Bracket	1	1	0	2	0	0	0	1	1



Worktop



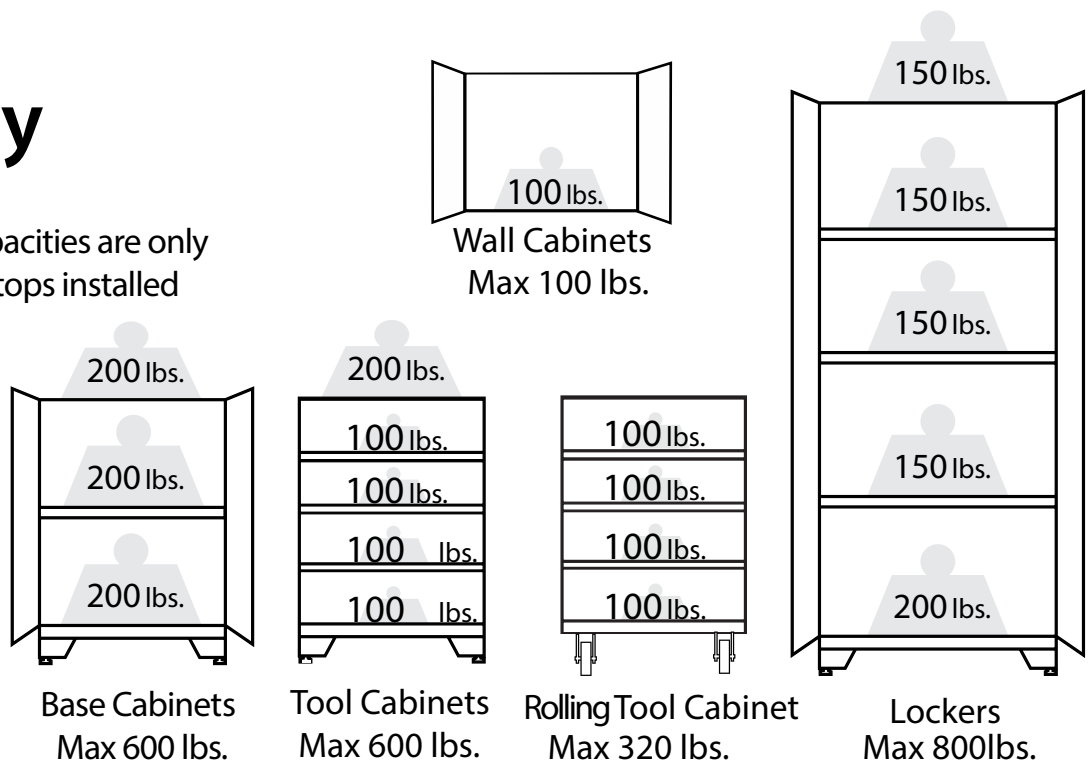
Weight Capacity

NOTE:

Claimed weight capacities are only with NewAge worktops installed

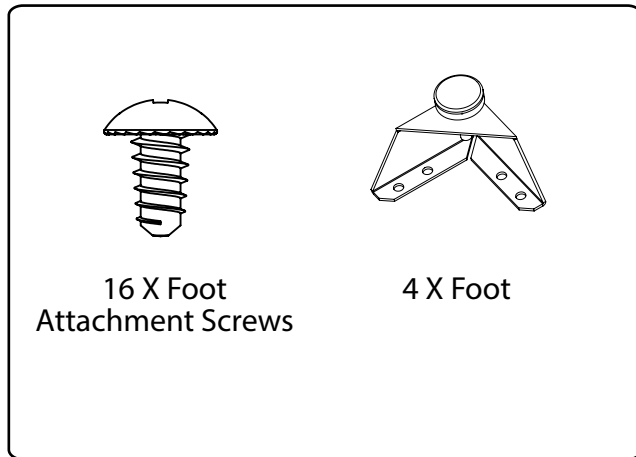


250 lbs per foot.
800 lbs. per Set of 4

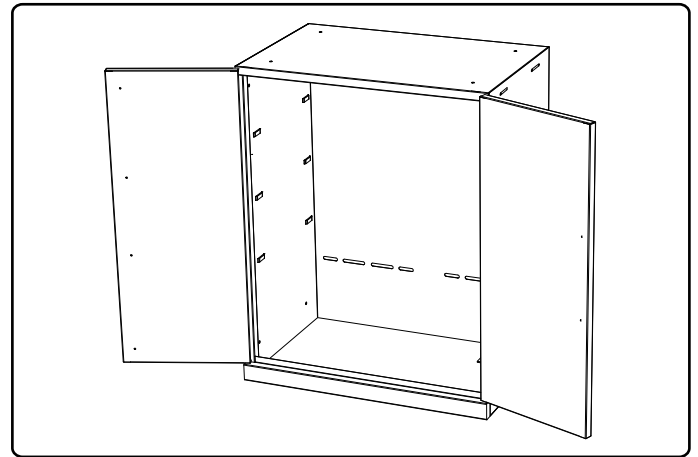


Installing the Feet

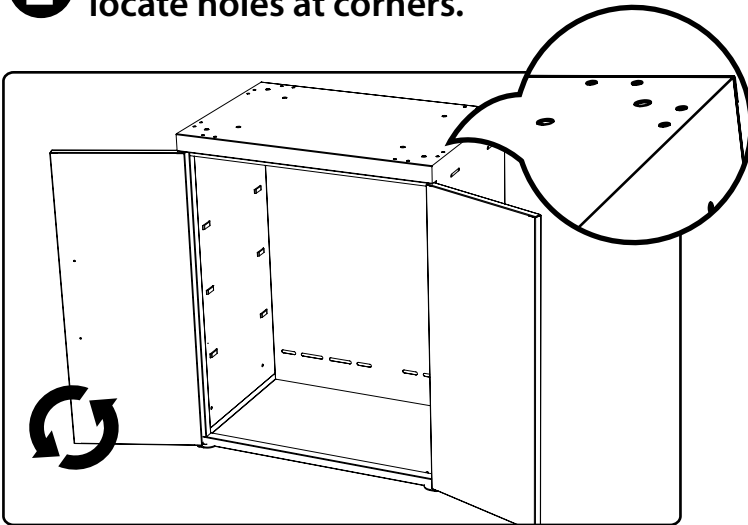
i Parts Needed.



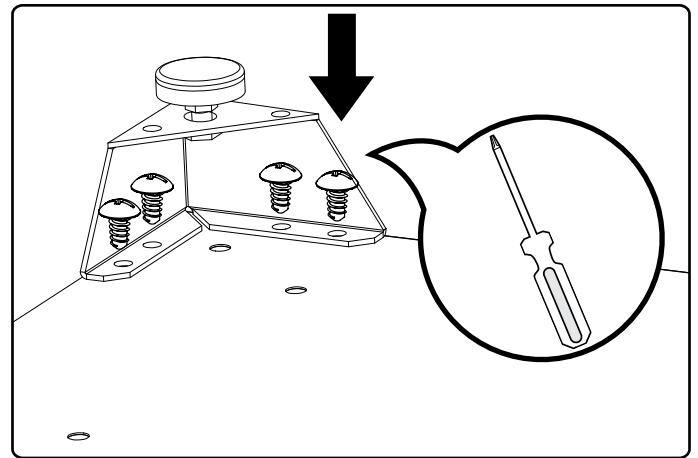
1 Open cabinet, remove any shelves or loose items.



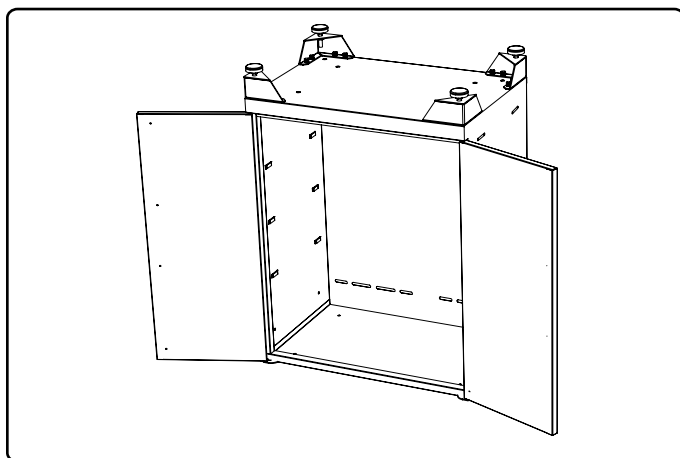
2 Flip cabinet upside down, locate holes at corners.



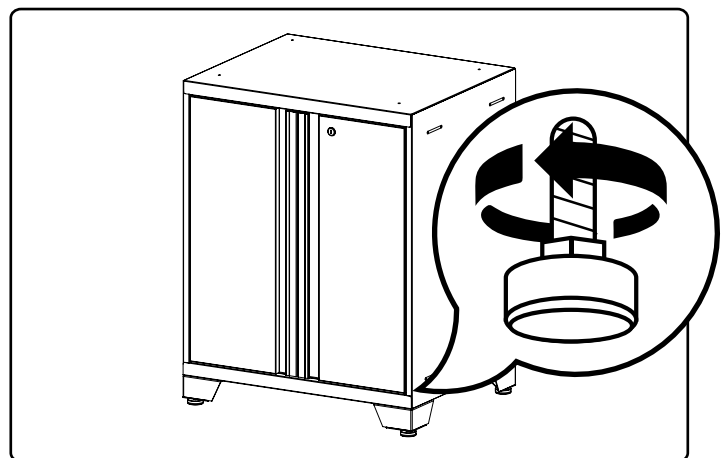
3 Align foot with edge of cabinet. Screw in 4 x foot attachment screws using #3 philips screwdriver.



4 Repeat step 3 for each corner.



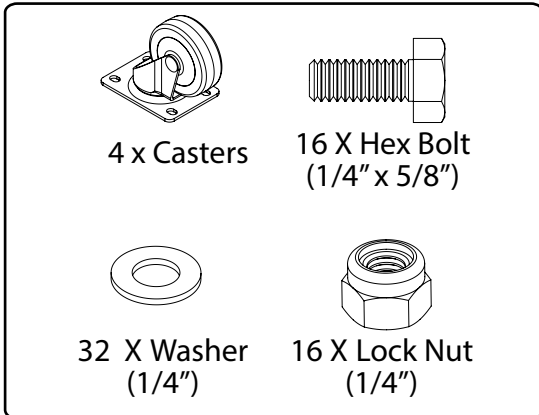
5 Stand & level feet.



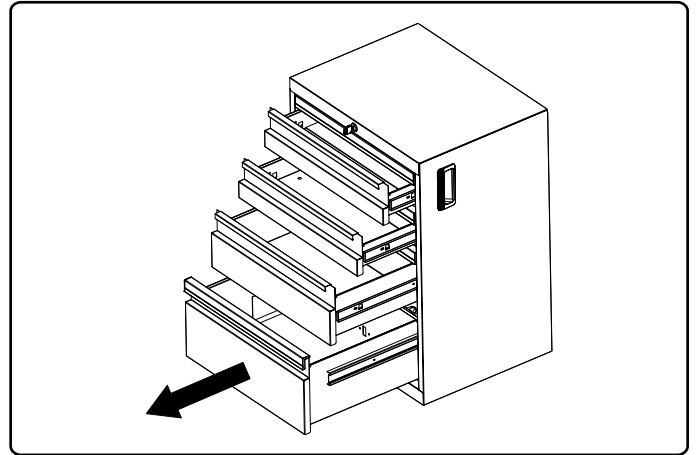
Installing Casters

Note:
Casters sold separately.

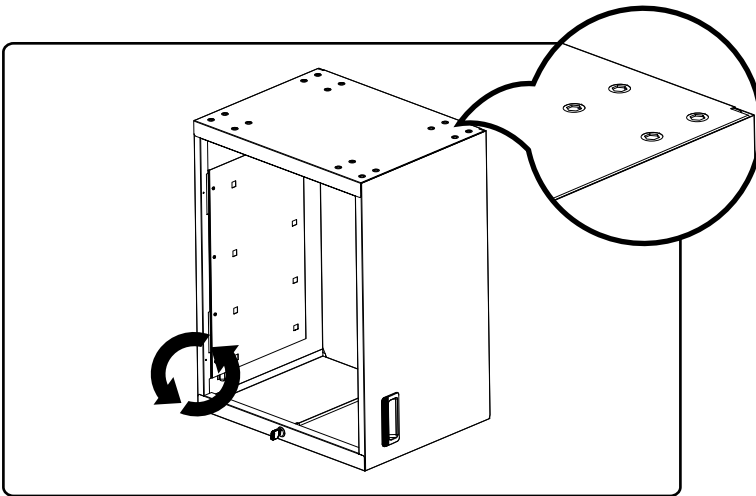
i Parts Needed.



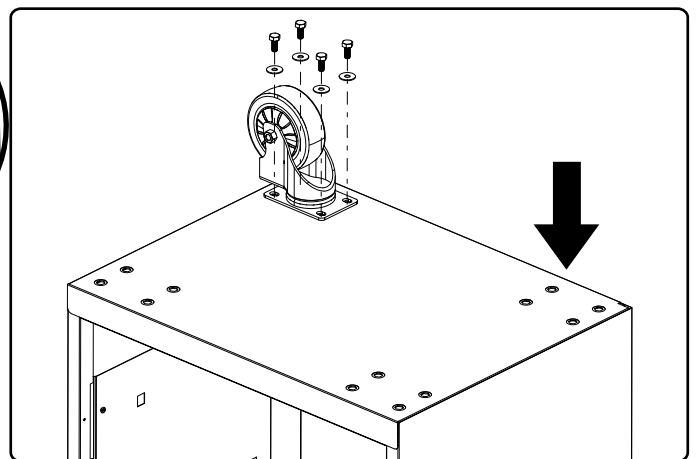
1 Remove all cabinet drawers. Refer Page 8.



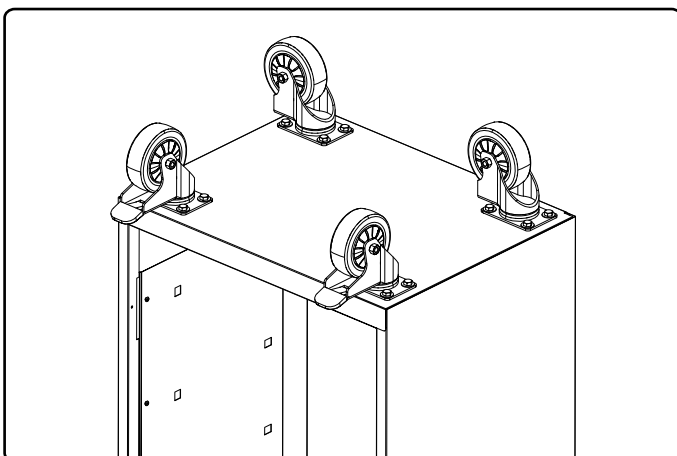
2 Flip cabinet upside down, locate holes forming a square.



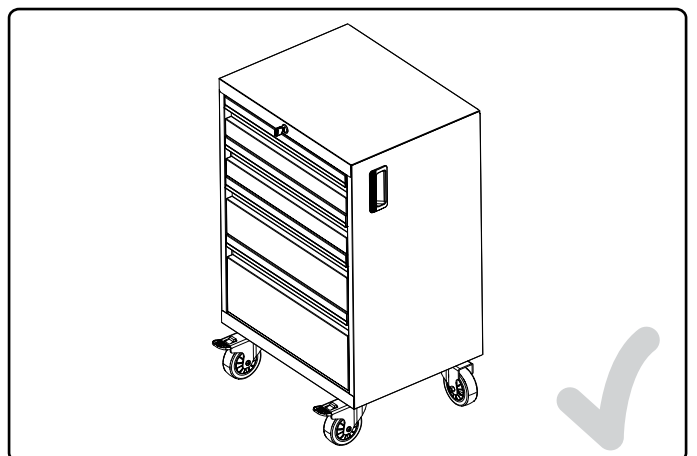
3 Align caster holes and bolt to cabinet using 4 Hex bolts and Lock nuts with 8 washers



4 Repeat steps 3 for each corner.

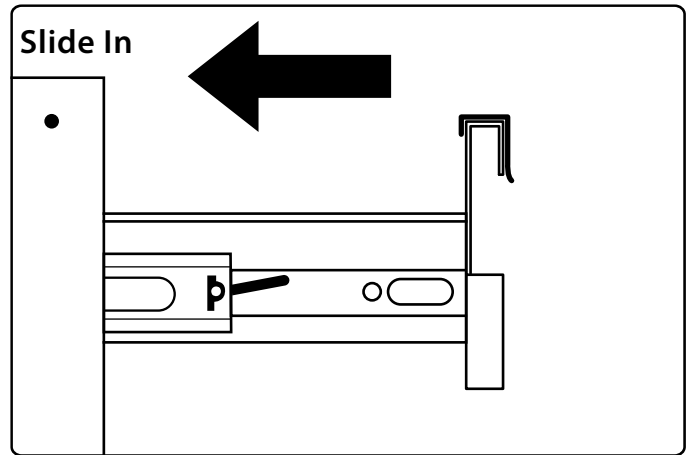
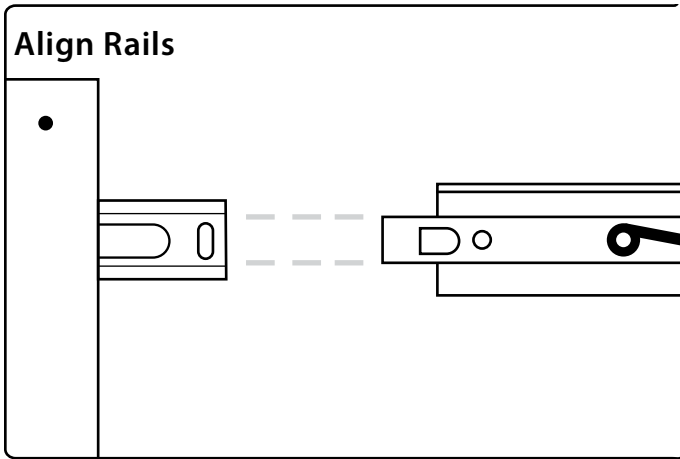


5

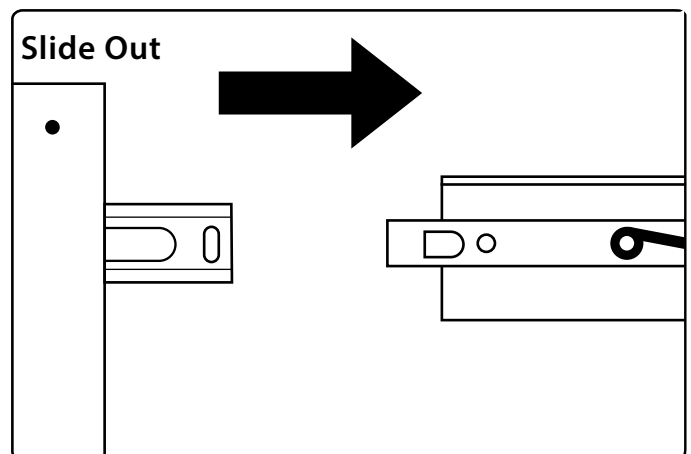
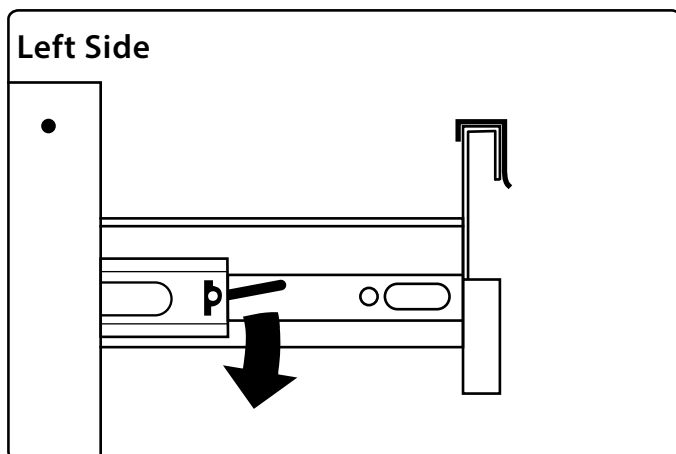
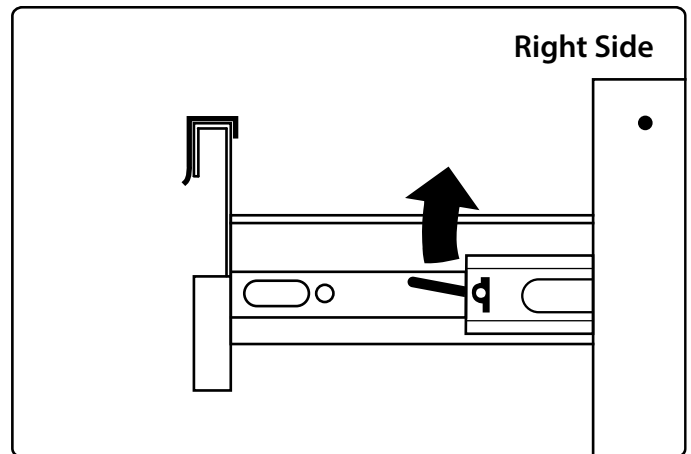
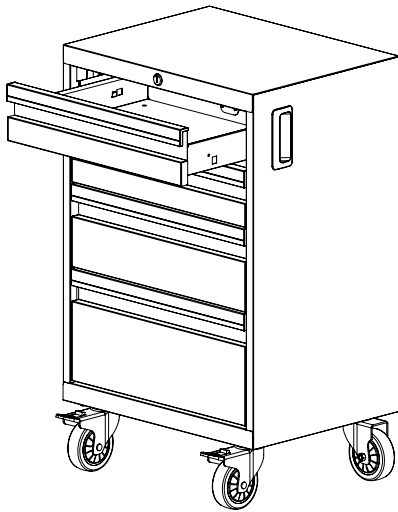


Installing the Drawers

Inserting Drawers.



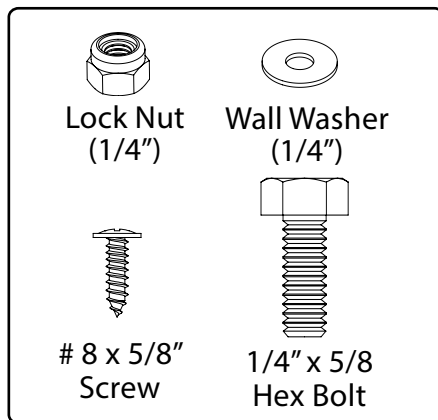
Removing Drawers.



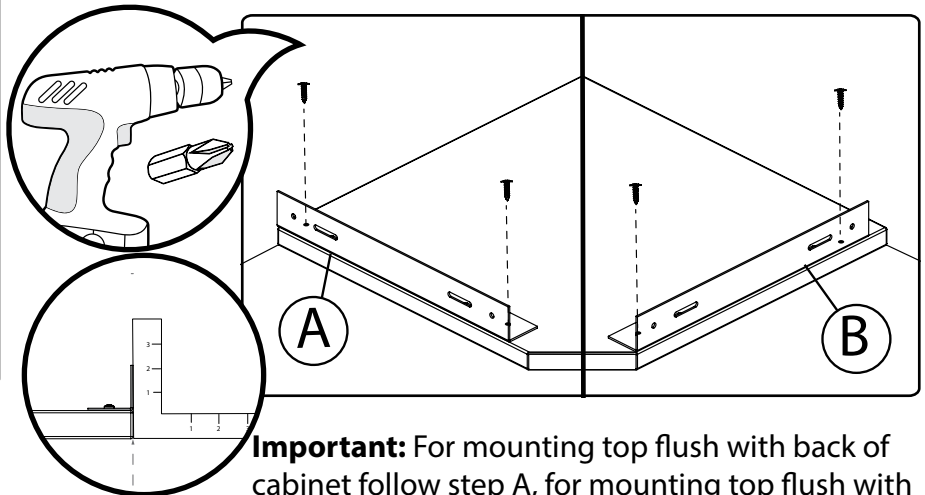
Installing Corner Cabinet

Note: Ensure there is enough assembly room. Cabinets must be assembled away from corner to access backs of cabinets.

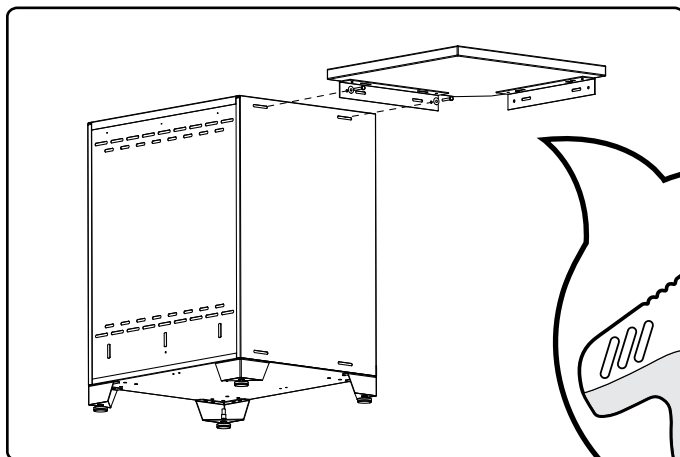
i Parts Needed.



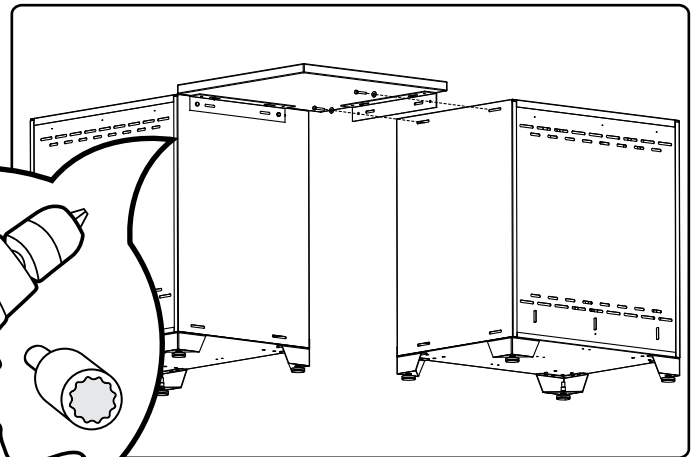
1 On adjacent edges attach 2 support brackets to underside of corner top using the supplied (4) #8 x 5/8" screws.



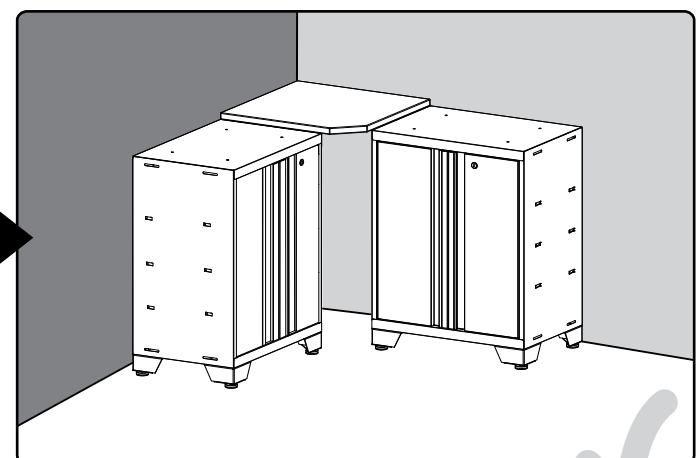
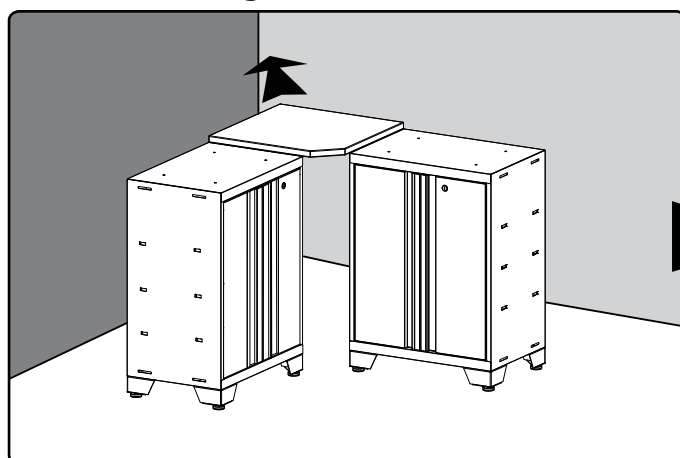
2 Attach top to one cabinet using 1/4" x 5/8 hex bolts, nuts, and washers.



3 Attach second cabinet to top.

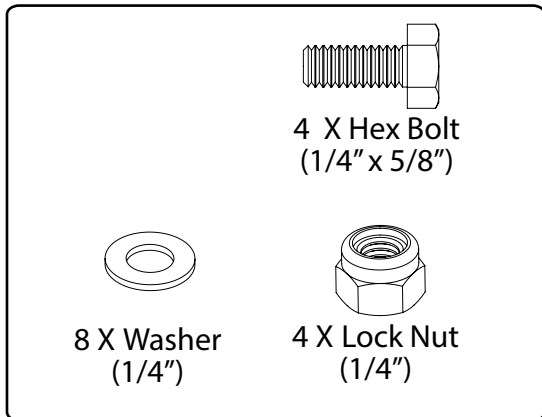


4 Slide in corner and attach remaining cabinets.

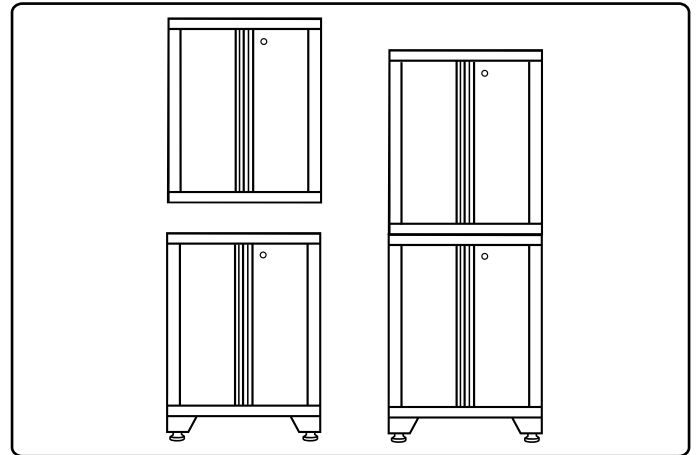


Stacking Cabinets

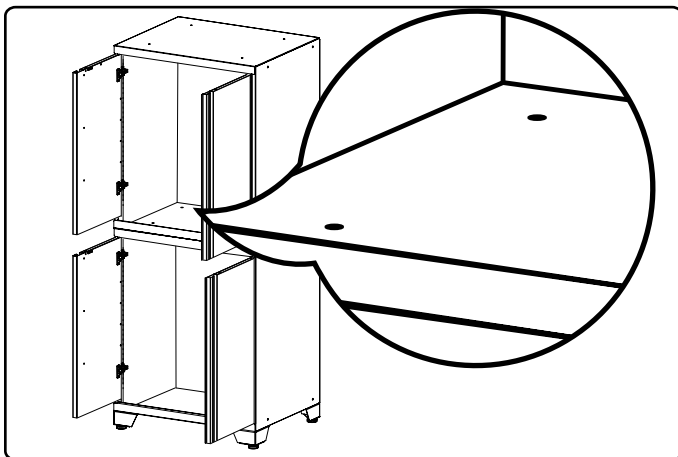
i Parts Needed.



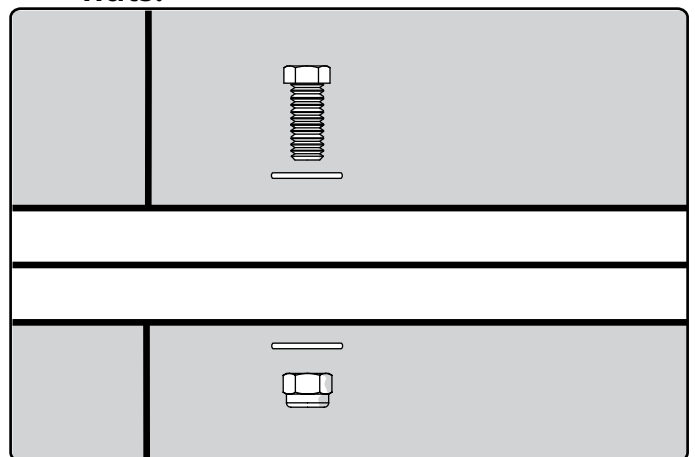
1 Position a second base cabinet on top of an existing base cabinet.



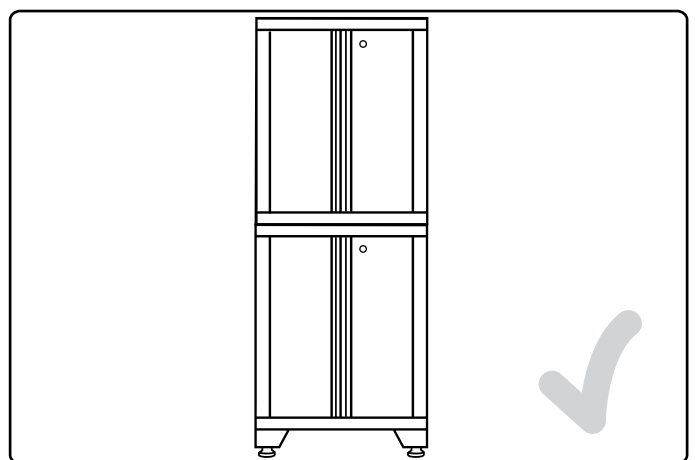
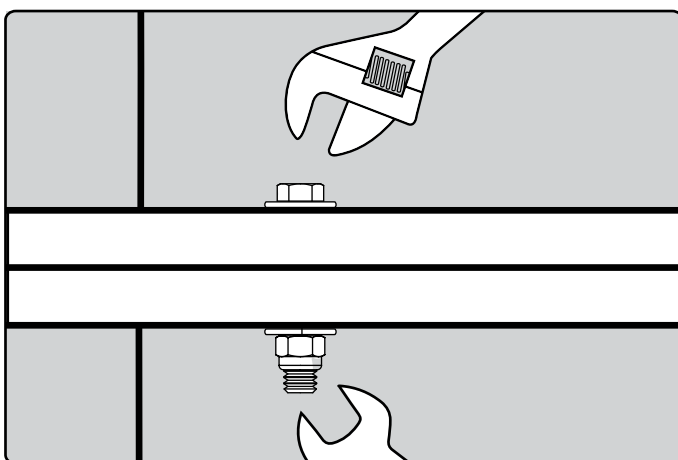
2 Locate punch holes on adjoining surface and insert bolts.



3 Attach cabinets using the supplied 1/4" x 5/8" hex bolts, washers, and nuts.



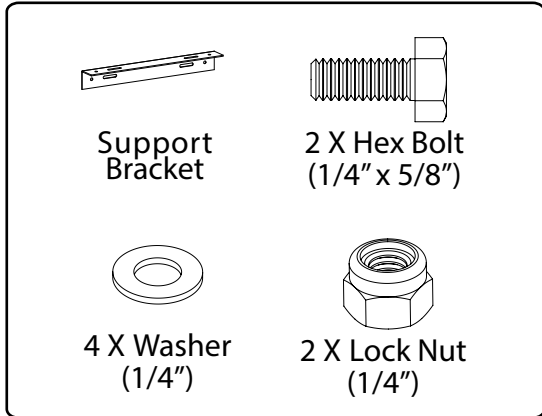
4 Tighten all bolts



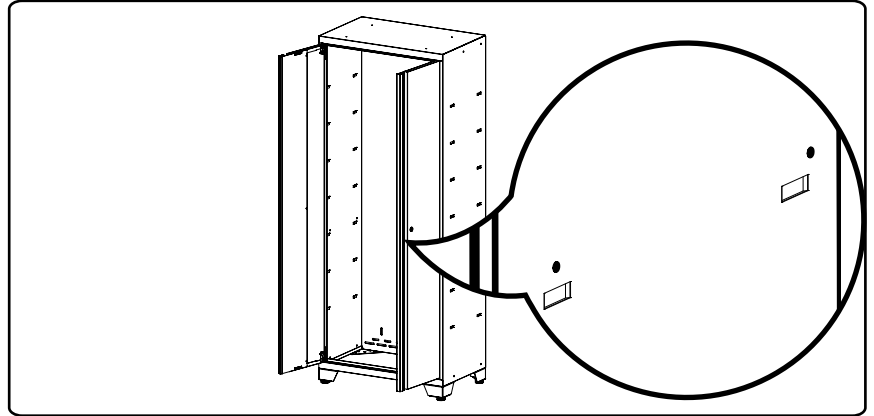
Installing Worktop Side Support Bracket

Note: Support Bracket Sold Separately
A support bracket is to be used if the worktop is added to the set without a secondary supporting base/tool cabinet.

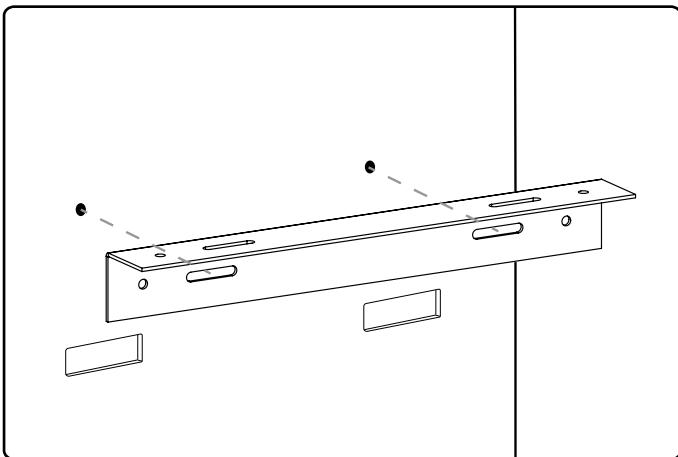
i Parts Needed.



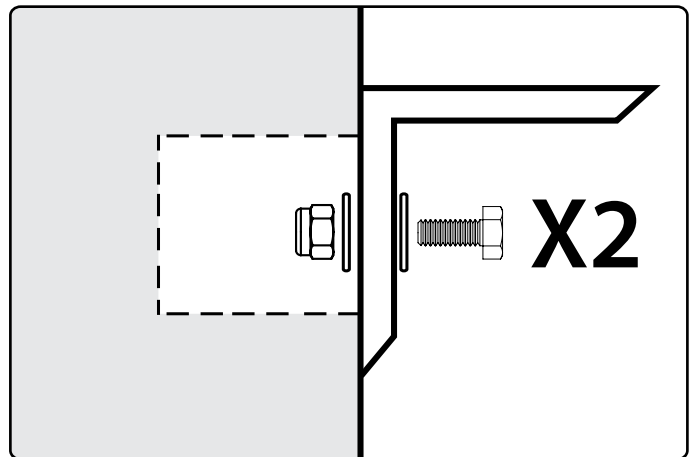
1 Open locker and locate holes on either side.



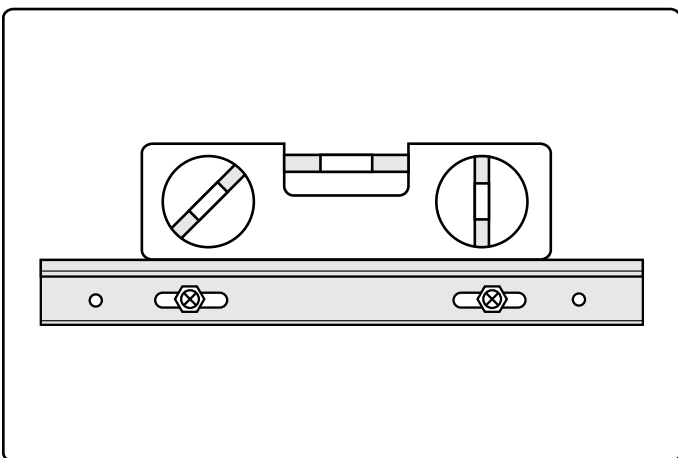
2 Align bracket.



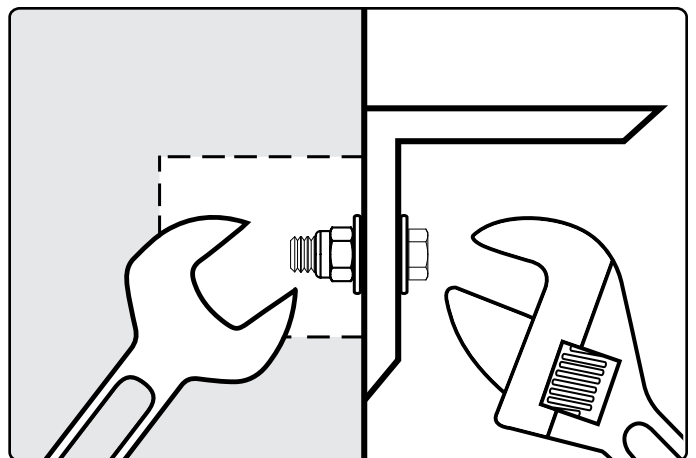
3 Fasten nuts, bolts, and lock washers.



5 Level bracket and ensure it is at the same height as the base cabinet.

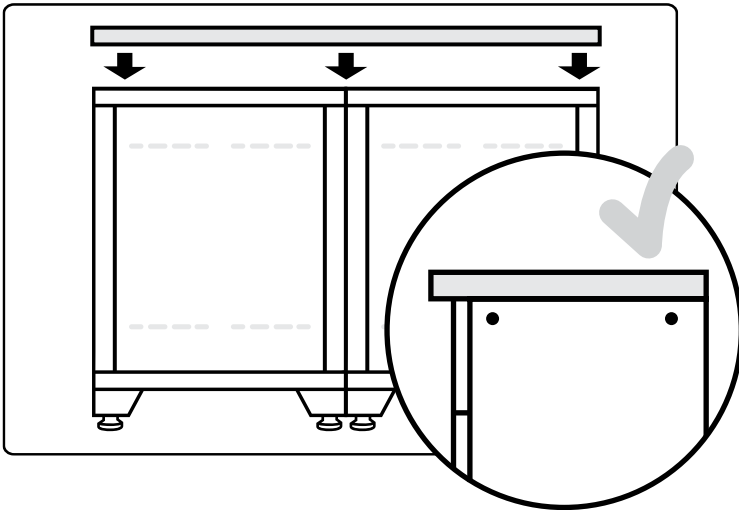


4 Tighten nuts & bolts.

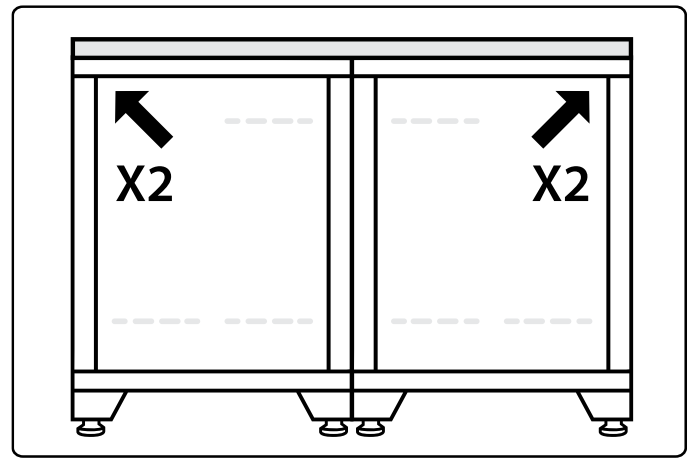


Mounting the Worktop (On 2 Cabinets)

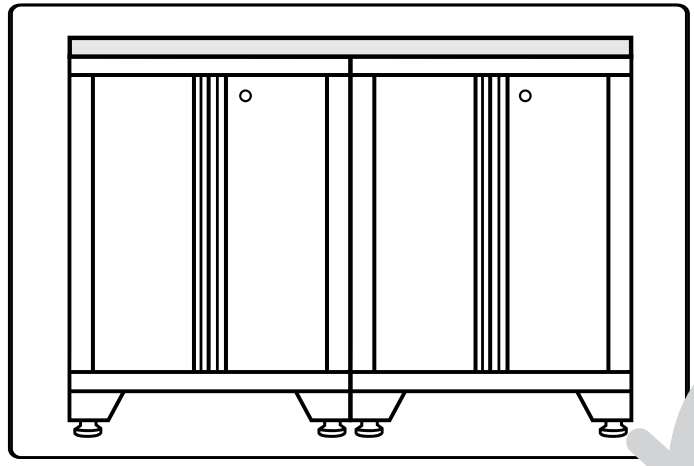
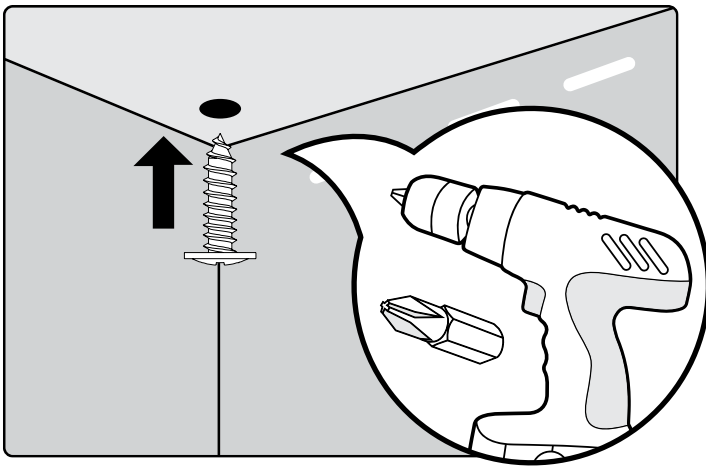
1 Place worktop on cabinets.



2 Locate 2 punch holes both sides.

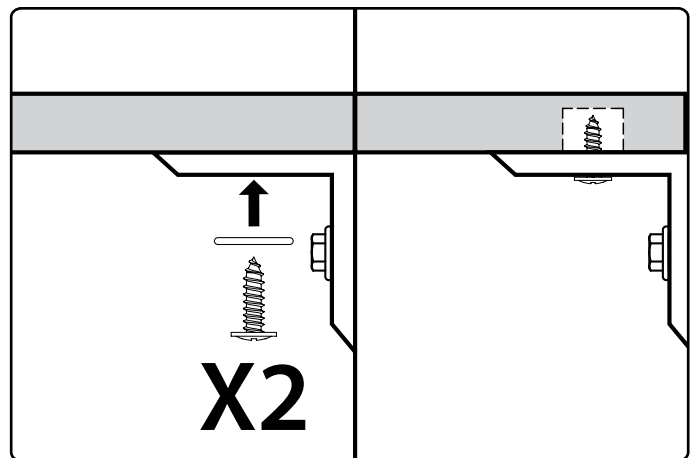
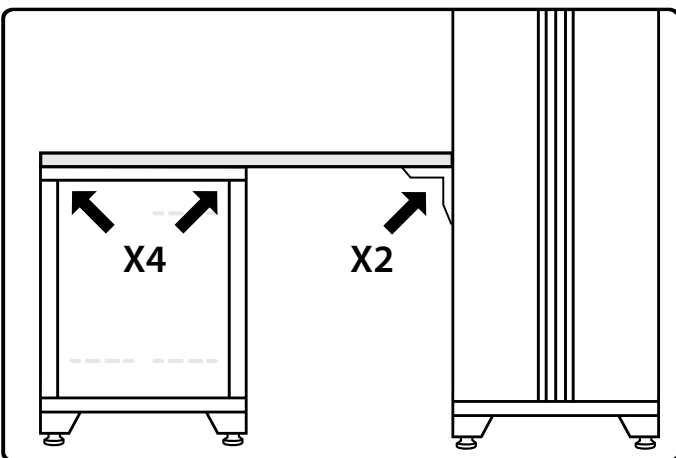


3 Drill into the worktop using the #8 x 5/8" wood screws.



i Optional: For locker support bracket.

Use 2 washers & #8 x 5/8" wood screws. Provided in the locker packaging.

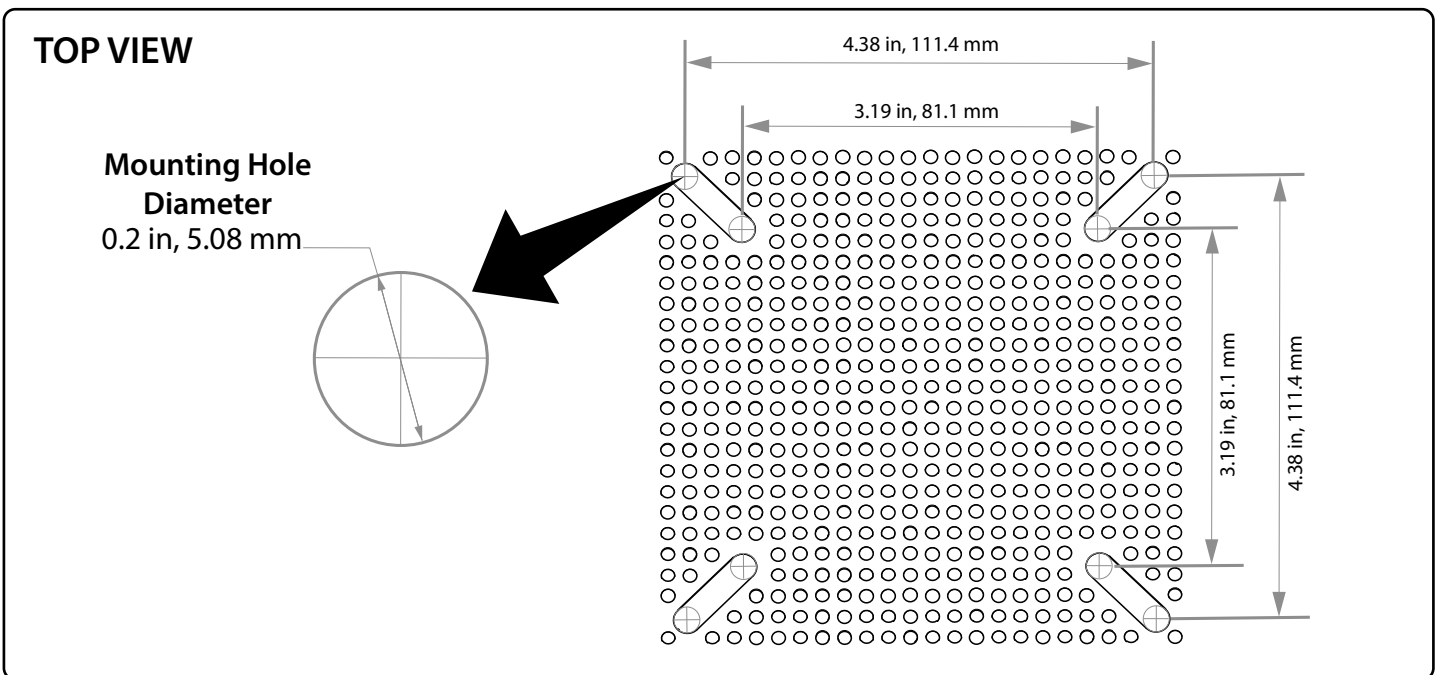


Mounting the Fan onto Lockers (Optional)

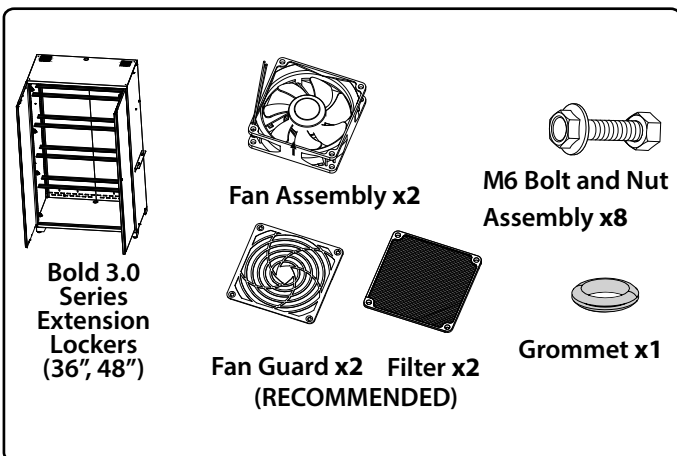
Warning

Fan installation is optional and any of the fan components are not included in the package. Such fan can only be installed onto **Bold 36"** and **Bold 48" Extended Lockers**.

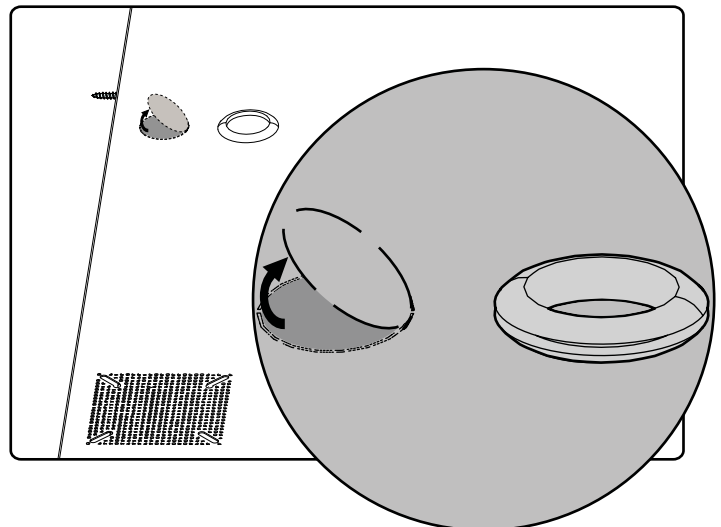
- DO NOT stand inside the locker during fan installation.
- Its customer's responsibility that the fan installation meet the **National Electrical Code**.
- Customer has to purchase aftermarket fan. 90mm to 120mm width (3.5in to 4.72in) are the recommended fan sizes. Please refer to the minimum and maximum W X H hole locations on the fan to ensure fans are compatible.
- Refer to the mounting hole diameter below. The outer diameter of the Bolts should be 0.2 in/ 5.08 mm or smaller.



Parts Required.

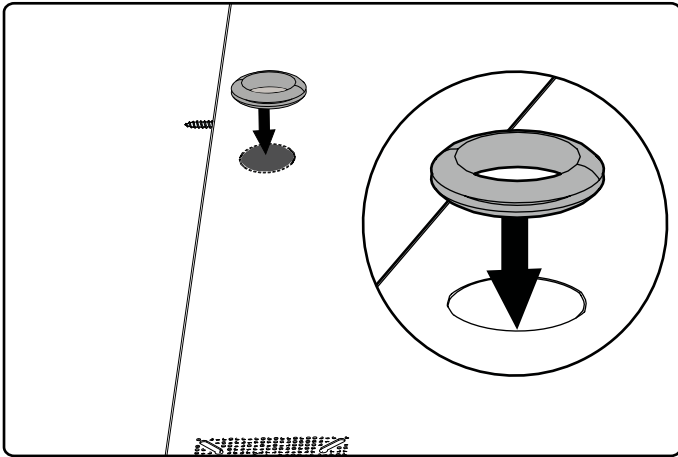


1 Using the pre-defined hole location on locker, create an opening to feed the wires that are provided with the fan assembly.

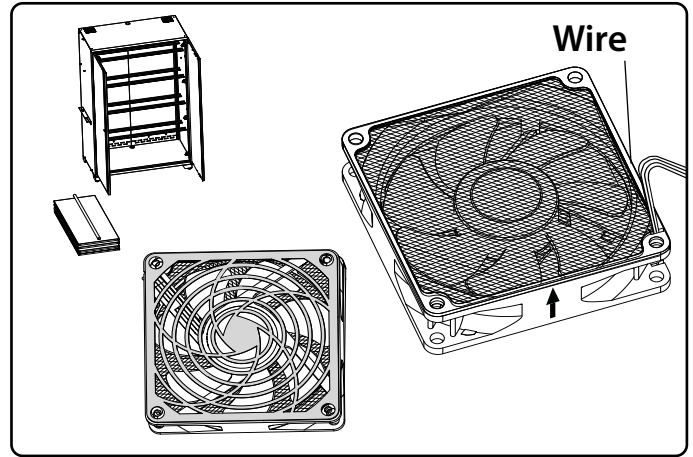


Mounting the Fan onto Lockers (Optional)

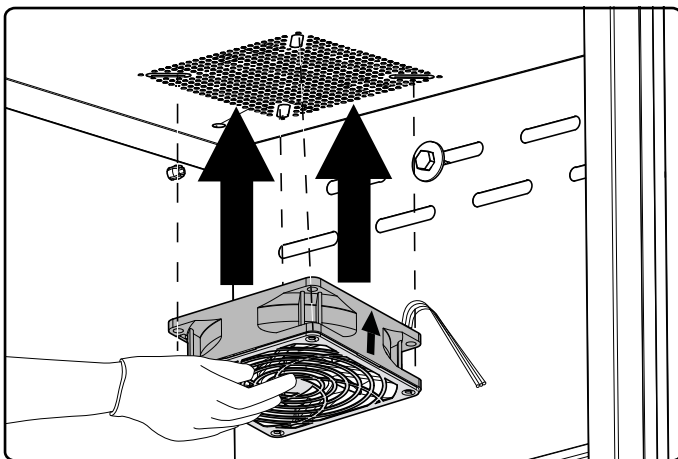
- 2** Add a rubber grommet, provided in the hardware box, around the opening.



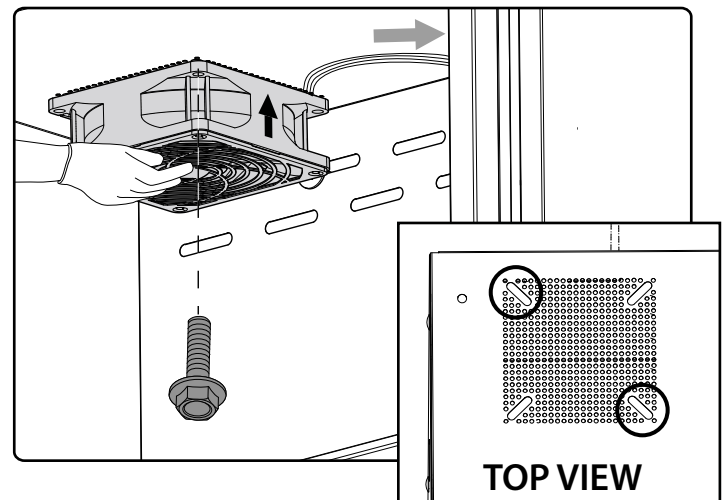
- 3** Attach the Filter and Fan guard onto the Fan Assembly as per supplier's instructions. Remove Locker shelves.



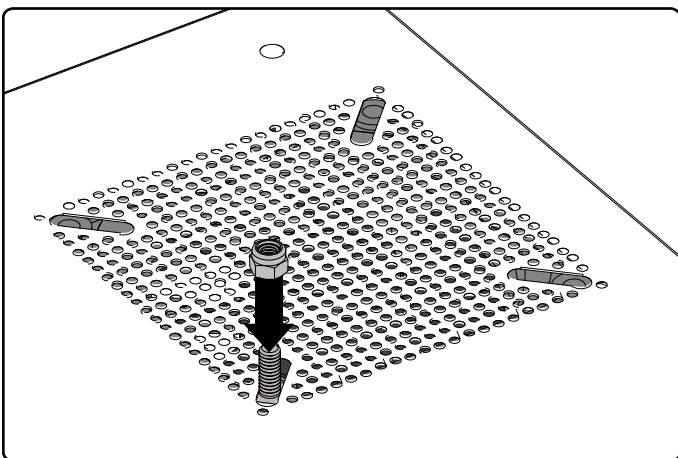
- 4** Place the fan assembly from underneath the Locker and hold as shown.



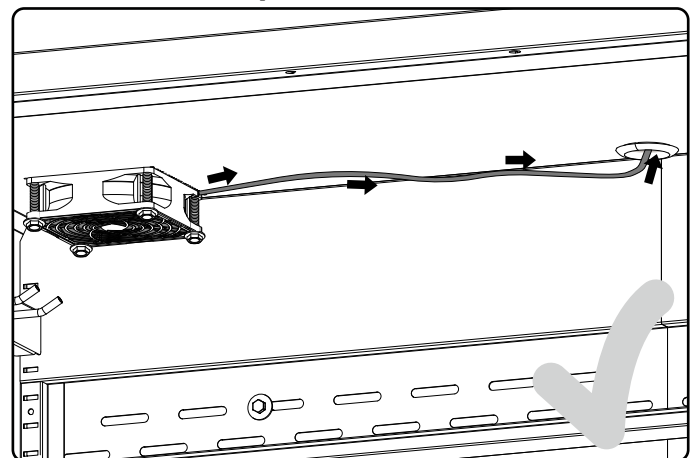
- 5** From underneath, insert the bolt into the diagonal mounting holes of Fan Assembly.



- 6** Tighten the nuts on the bolts from outside of the Locker. Repeat step 5 and step 6 for remaining bolts.

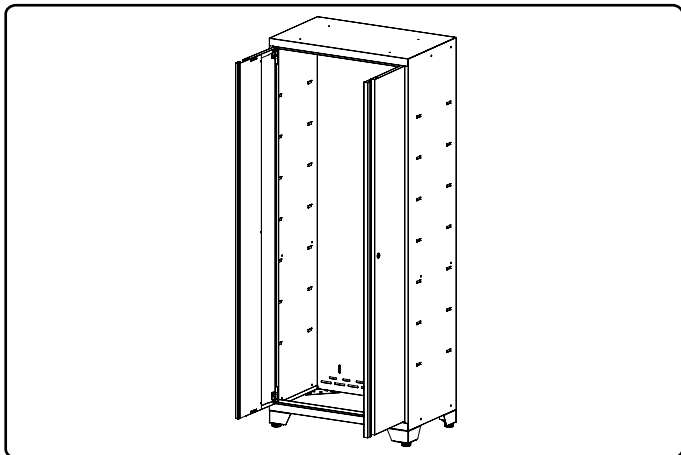


- 7** Route the wire upto to the power source through grommet. Follow similar steps and install second fan.

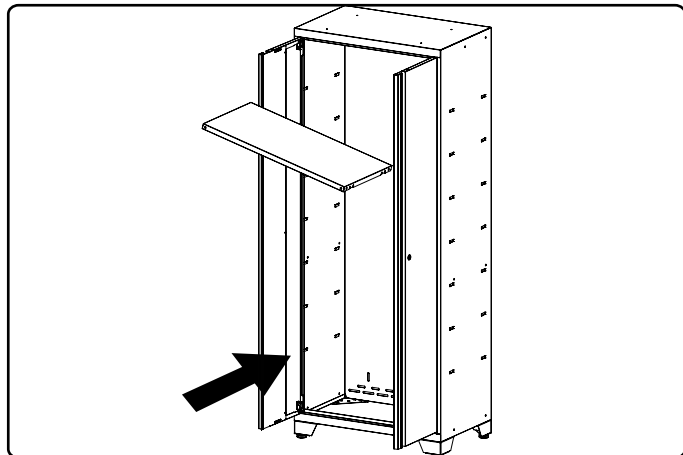


Inserting Cabinet Shelves

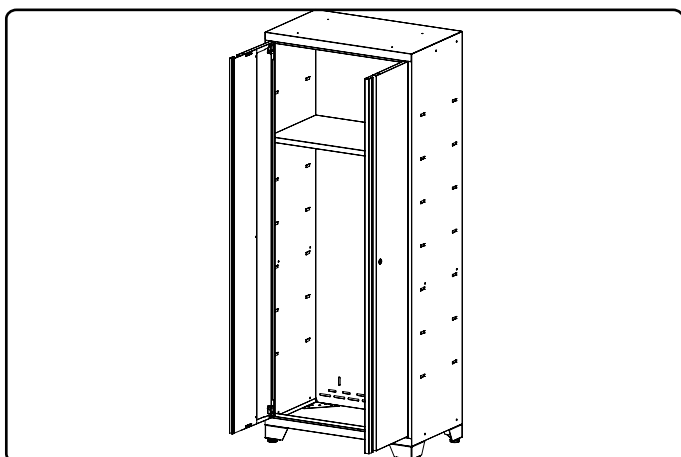
1 Stand cabinet up.



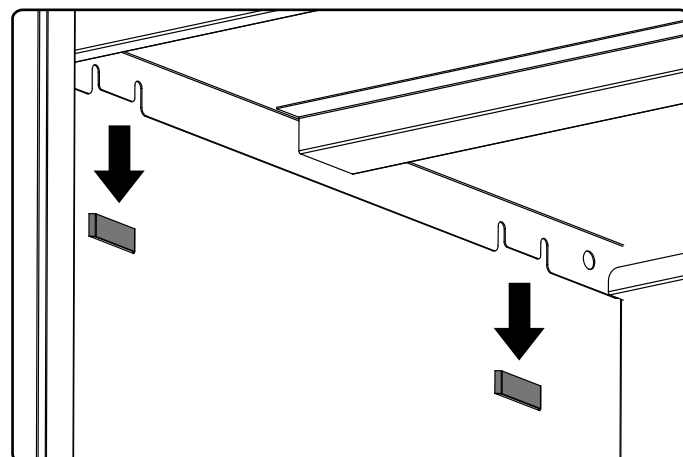
2 Insert shelf at a slight angle.



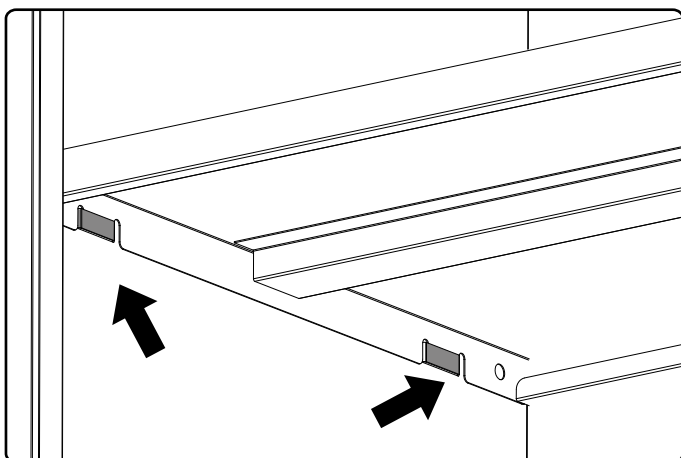
3 Level shelf.



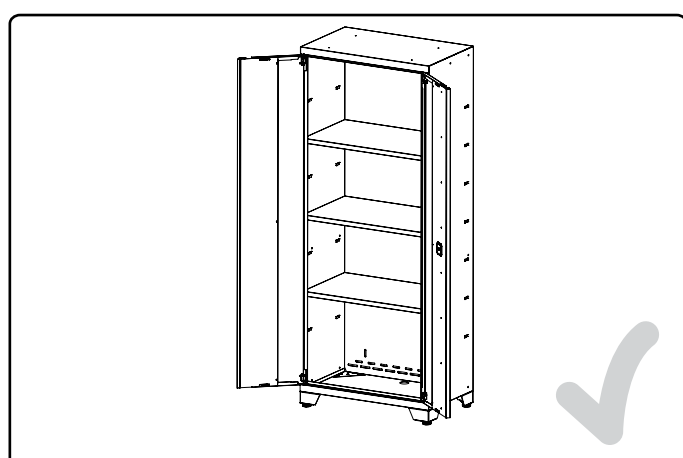
4 Lower shelf onto brackets by sliding tabs into slots.



5 Ensure shelf is clipped in position.

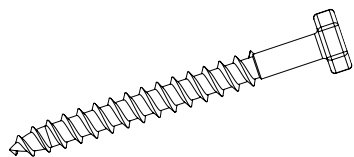


6 Insert remaining shelves.

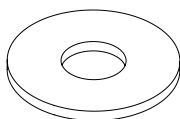


Mounting Cabinets (Drywall/Studded Wall)

i Parts Required



Wall Screw
(1/4" x 2.5")



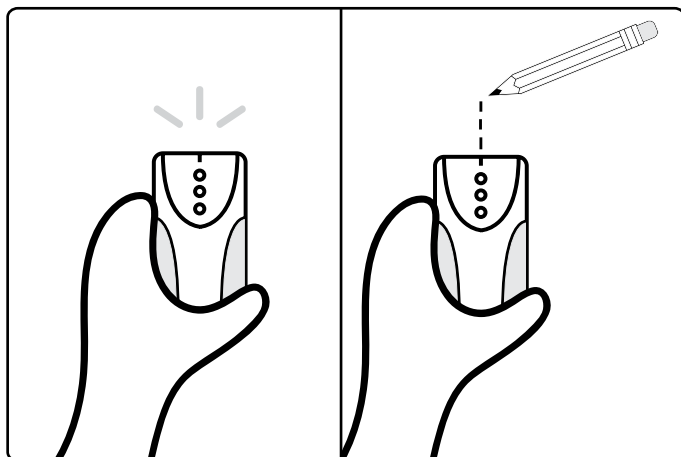
Wall Washer
(1/4")

Wall & Locker: 4 wall screws and 4 washers

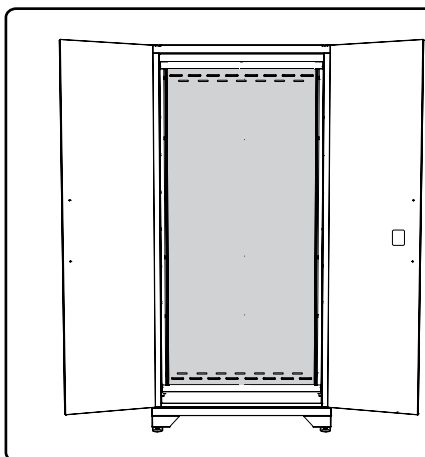
Corner Wall: 6 wall screws and 6 washers

Base & Tool Cabinet: 2 wall Screws and 2 washers

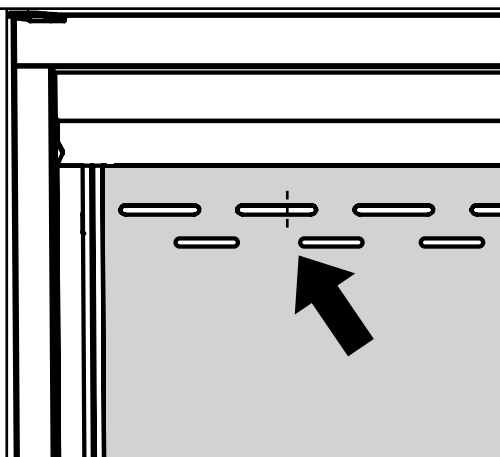
1 Use stud finder to locate the studs and mark the wall with a pencil.



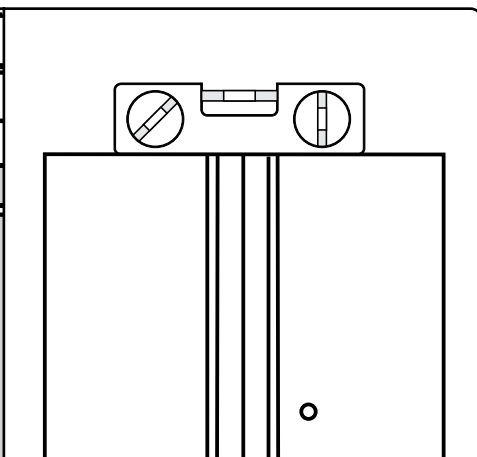
2 Place cabinet tight against the wall.



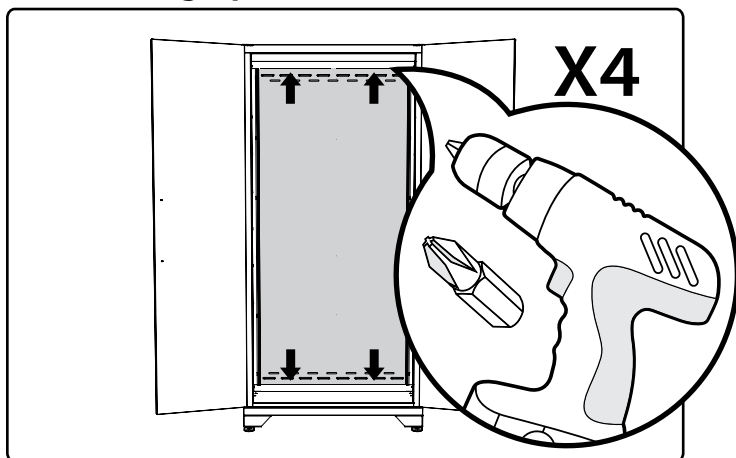
3 Align cabinet to stud marks.



4 Level cabinet by adjusting feet



5 Drill 4 wall screws and washers through perforated holes into studs.



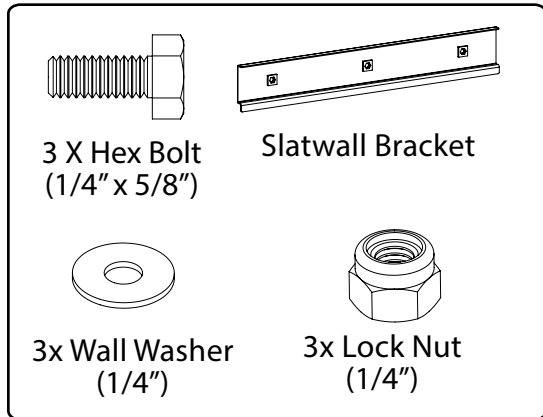
i Masonry.

- Follow steps 2 to 4.
- Drill 4 pilot holes through the perforated strip with hammer drill & masonry bit.
- **Follow Step 5 using:**
- Use 4 x (2 1/4" x 1/4") Tapcon Concrete Anchor into wall. (Not Included)
- **OR** 4 x (#10 x 2") Screw with 3/16" masonry plug into wall. (Not Included)

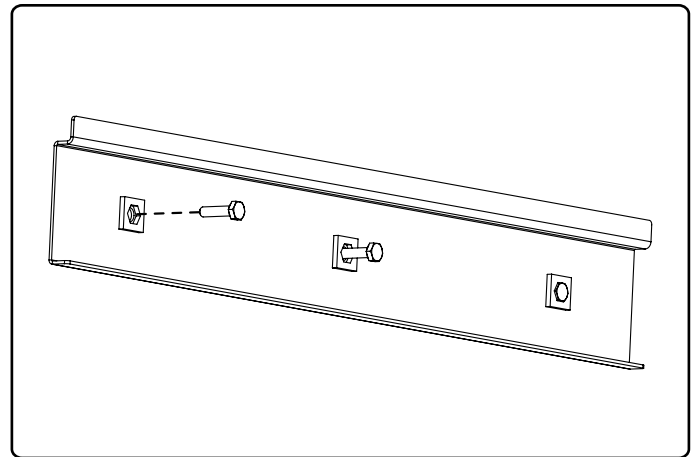
Hanging Cabinets on Slatwall

Note: Slatwall Brackets for use with standard 3" slatwall **Sold Separately**. Check with your slatwall supplier to determine the rated capacity of your slatwall. **DO NOT OVERLOAD.** **NewAge Slatwall Brackets are only compatible with standard 3" on center Slatwall.**

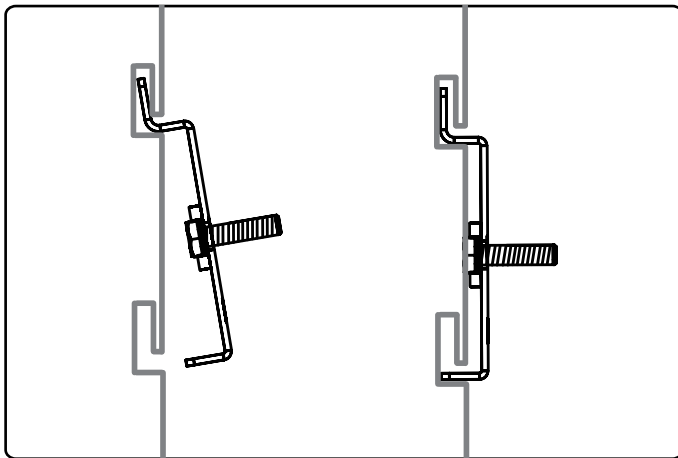
i Parts Needed.



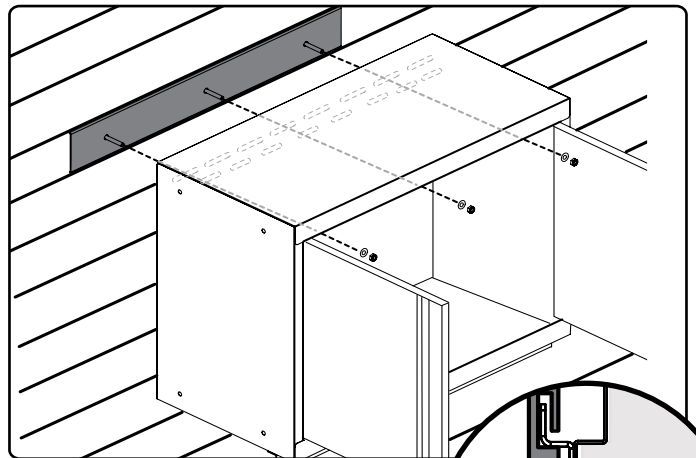
1 Insert bolts through slatwall bracket.



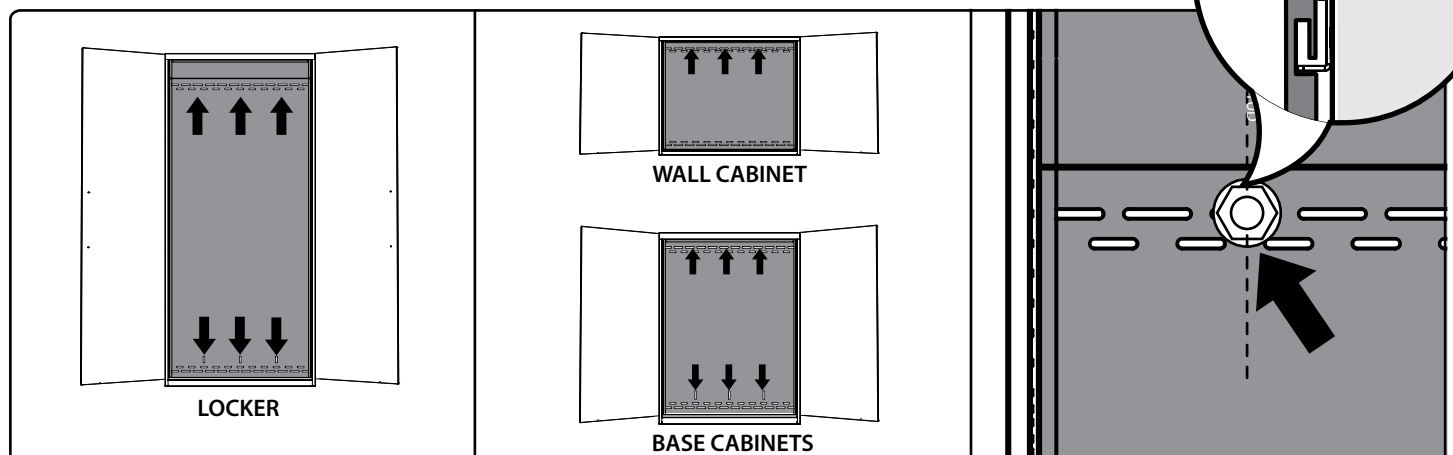
2 Attach bracket to slatwall at desired height. For Locker cabinet attach second bracket 65" below first bracket.



3 Align bolt with slots on back of cabinet and hang cabinet.



4 Using 1/4" drill socket or 1/4" wrench securely tighten lock nuts to each wall bracket from inside cabinet.



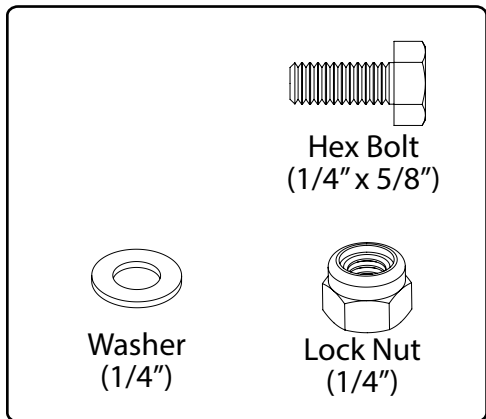
Fastening Cabinets



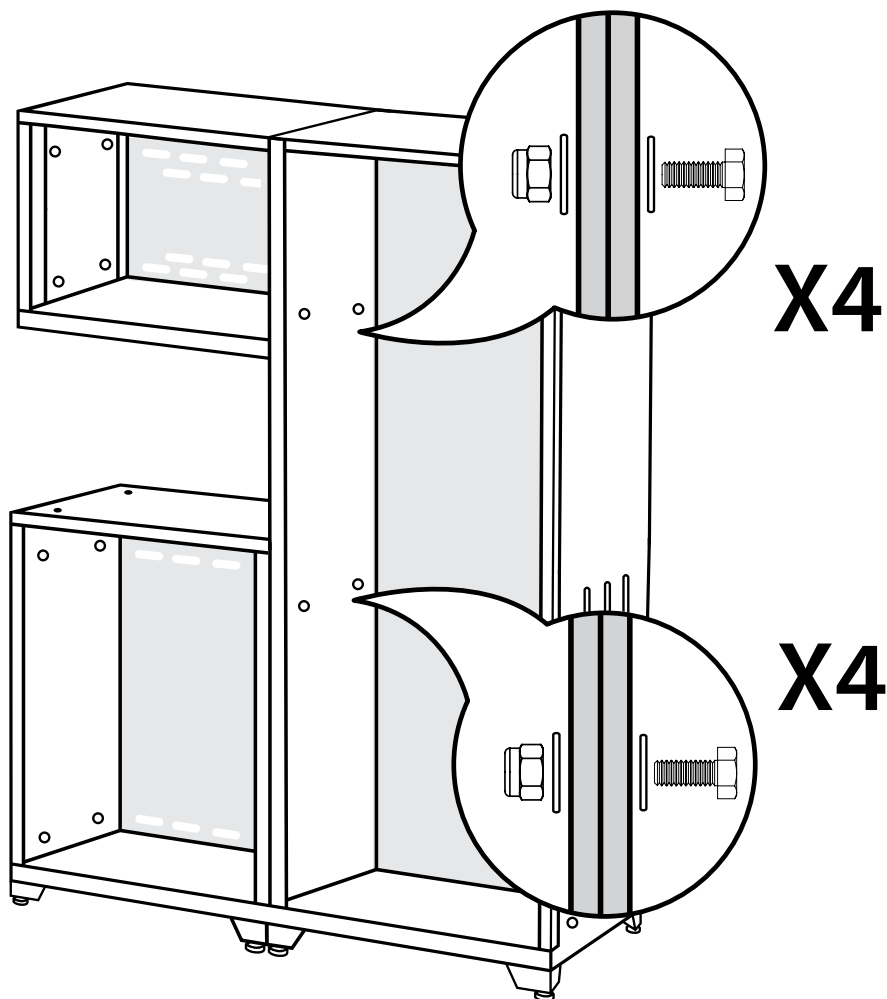
Note:

Fasten additional cabinets to initial securely mounted cabinet.

Parts Needed.



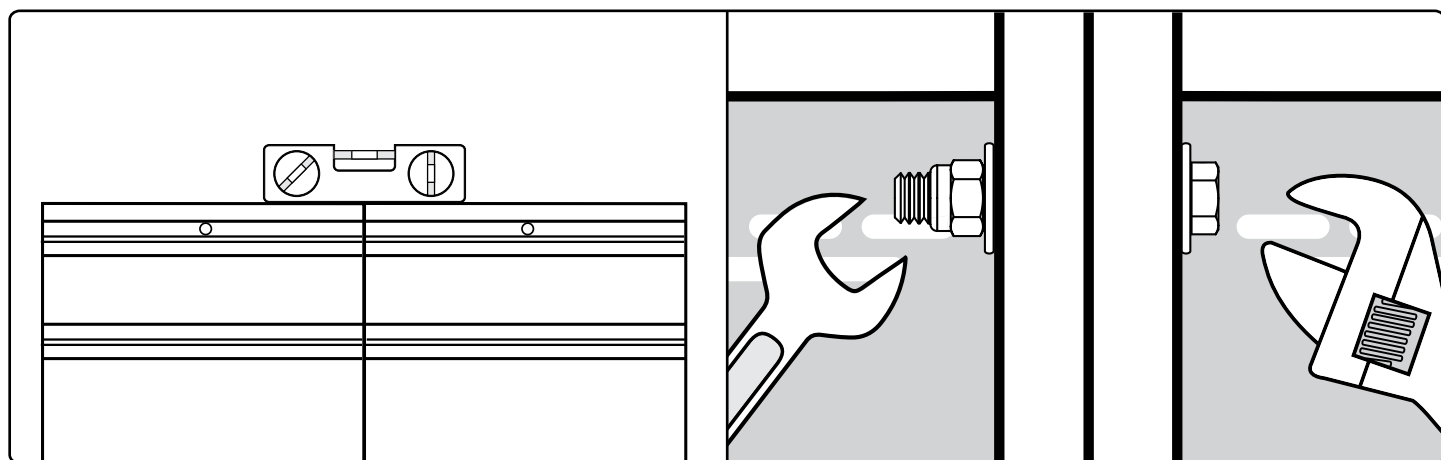
Align bolts, tighten lightly.



Note:

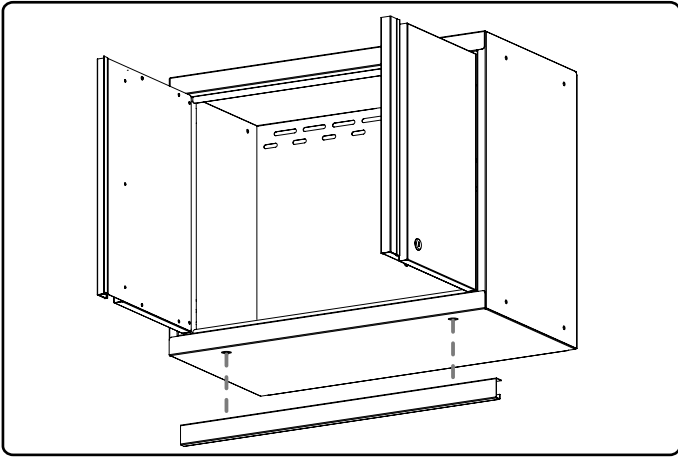
Remove all drawers before fastening cabinets

Level cabinets and tighten all bolts.

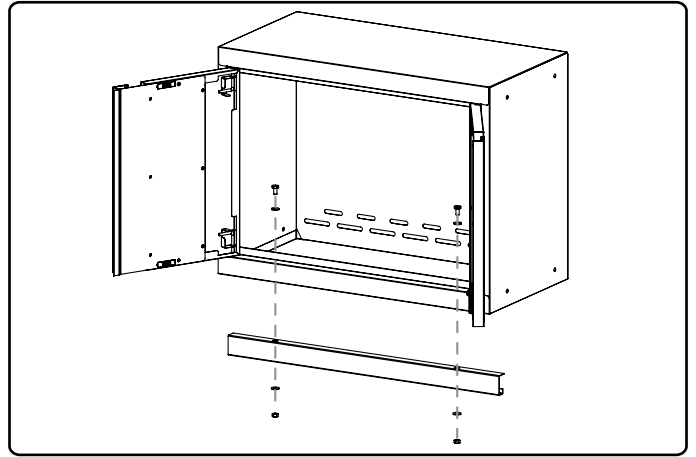


Attaching Light Valance to Wall Cabinet

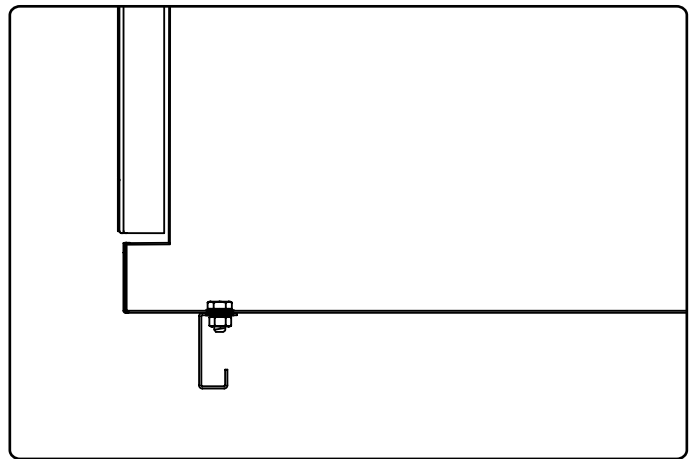
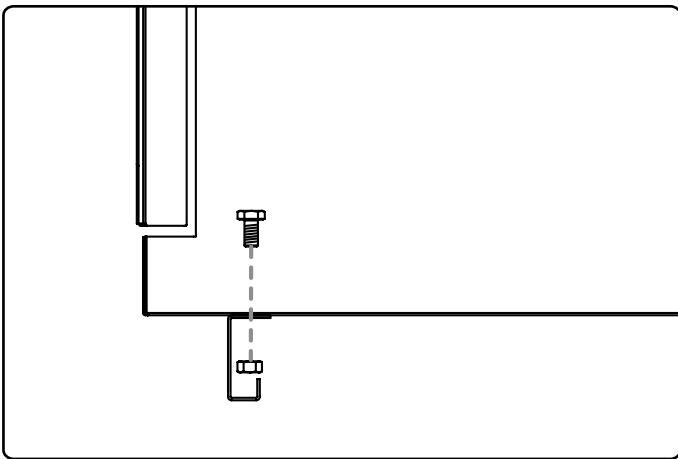
1 Align holes of valance with cabinet.



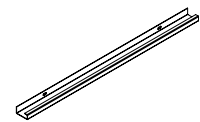
2 Insert and tighten bolt and nuts.



3 Cross Section View



i Parts Needed.



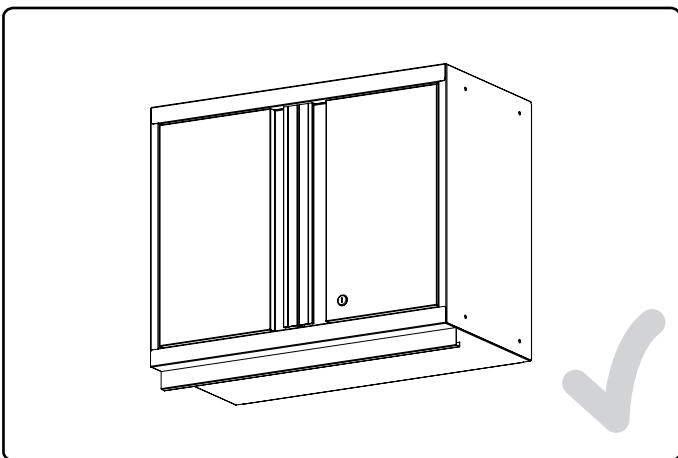
Light Valance



Nut
(M5)

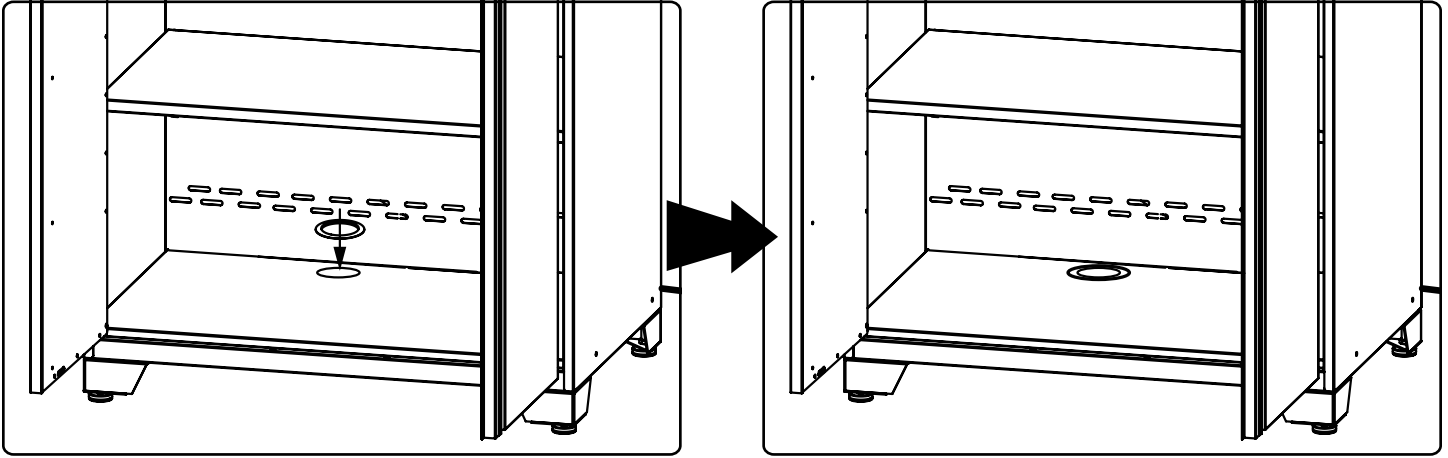


Bolt
(M5 x 12mm)

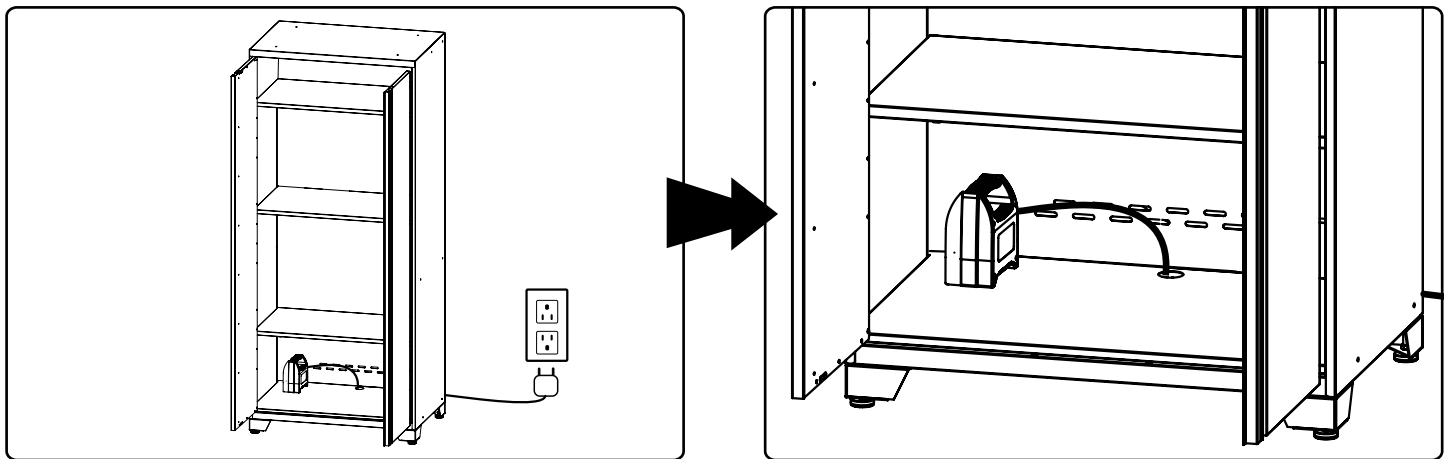


Utility Access

- 1** Insert rubber grommet into cut-out hole in bottom panel.



- 2** The utility access hole allows easy connection to power outlet.



Thank you for purchasing a NewAge Product!

Please give us a call or visit online if you have any questions.

Call 1.877.306.8930; e-mail at info@newageproducts.com