

VERSARAC PRO

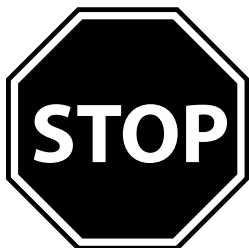
Adjustable Overhead Storage Rack

INSTALLATION GUIDE



WARNING: Excessive weight hazard!

Use two or more people to move, assemble, or install VersaRac Pro to avoid back injury. Do not leave children unattended near VersaRac Pro. High risk of tipping if racking is installed incorrectly: Follow instructions carefully and routinely inspect your system to ensure all components are fastened securely. For assistance, call 1.877.306.8930; e-mail at info@newageproducts.com.



ATTENTION:

Is your VersaRac Pro damaged? Need help or spare parts? For fastest service, contact NewAge Products at 1-877-306-8930 or support@newageproducts.com. Do not return to the retailer.

Index

MANUFACTURER WARRANTY	3
Unpacking	4
Product Inspection	4
Tools Needed	4
Safety Warning	5
Weight Capacity	6
VersaRac Pro Installation Options	7
Parts Supplied and Spare Parts List	8
Plan the Installation Location	10
Installing Ceiling Brackets & Vertical Posts	13
Installing Perimeter Beams	16
4ft Cross Support and Wire Grid Assembly	18
Installing two VersaRac Pro Horizontally	19
Installing two VersaRac Pro Vertically	20
Installation Tips	22

NEWAGE PRODUCTS INC. GARAGE SERIES MANUFACTURER WARRANTY

PROOF OF PURCHASE IS REQUIRED TO OBTAIN WARRANTY SERVICE.

Please have the following information available when you call our customer service team:

- Name, address and telephone number
- Product Name / SKU Number
- A clear, detailed description of the problem
- Proof of purchase including order number

Register your NewAge Products purchase online for quicker customer assistance and access to exclusive benefits

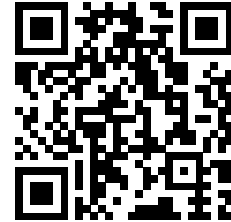
Visit www.newageproducts.com/register/

Warranty Claim

For warranty service please contact NewAge Products at 1-877-306-8930; or support@newageproducts.com

Please review all warranty details below, prior to contacting NewAge Products for a claim.

Scan the QR code on the right to access our support page or visit www.newageproducts.com/contact-us/



Scan this QR code with the camera on your mobile device to visit the NewAge Products Support Hub

www.newageproducts.com/support-hub/

LIMITED LIFETIME WARRANTY

WHAT IS COVERED

When this product is installed, operated and maintained according to the instructions attached to or furnished with the product, NewAge Products Inc. will replace the defective product or parts if the part fails as a result of defective materials or workmanship for the warranty duration from the purchase date of the product.

WHAT IS NOT COVERED

1. Service calls to correct the installation of any NewAge products or to instruct you how to use or install them.
2. Damage resulting from improper handling, or products damaged by accident, misuse, abuse, fire, flood, improper installation, acts of God, neglect, corrosion, modification or mishandling.
3. Products damaged by improperly loading beyond the specified maximum weight capacity outlined in the instructions provided with the product.
4. Repairs or replacement when your product is used in other than normal, single-family household use, such as a commercial environment, or handled in anyway inconsistent with the installation instructions included with the product.
5. Cosmetic damage, including scratches, dings, dents or cracks in paint that do not affect the structural or functional capability of the product.
6. Surfaces damaged due to chemical interaction resulting in corrosion of paint or metal.
7. Replacement parts for NewAge products outside Canada and the United States.
8. Loss of product contents due to theft, fire, flood, accident or acts of God.
9. Shipping or freight fees to deliver replacement products or to return defective products.
10. Any labor costs during the limited warranty period.

DISCLAIMER OF IMPLIED WARRANTIES

IMPLIED WARRANTIES, INCLUDING TO THE EXTENT APPLICABLE WARRANTIES OF MERCHANTABILITY OR FITNESS FOR A PARTICULAR PURPOSE, ARE EXCLUDED TO THE EXTENT LEGALLY PERMISSIBLE. ANY IMPLIED WARRANTIES THAT MAY BE IMPOSED BY LAW ARE LIMITED TO ONE YEAR, OR THE SHORTEST PERIOD ALLOWED BY LAW. THIS WARRANTY IS LIMITED TO THE ORIGINAL BUYER. Some states and provinces do not allow limitations on the duration of implied warranties of merchantability or fitness, so this limitation may not apply to you. This warranty gives you specific legal rights, and you also may have other rights that vary from state to state or province to province.

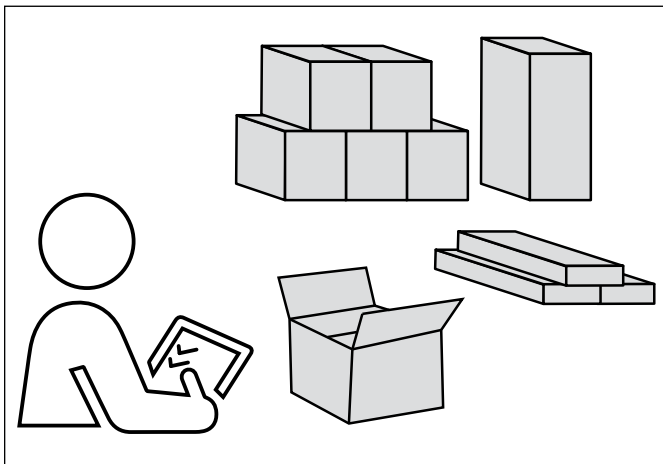
LIMITATION OF REMEDIES; EXCLUSION OF INCIDENTAL AND CONSEQUENTIAL DAMAGES

YOUR SOLE AND EXCLUSIVE REMEDY UNDER THIS LIMITED WARRANTY SHALL BE PRODUCT REPAIR OR REPLACEMENT AT OUR DISCRETION AS PROVIDED HEREIN. NEWAGE SHALL NOT BE LIABLE FOR INCIDENTAL OR CONSEQUENTIAL DAMAGES. Some states and provinces do not allow the exclusion or limitation of incidental or consequential damages, so these limitations and exclusions may not apply to you. This warranty gives you specific legal rights, and you also may have other rights that vary from state to state or province to province.

Unpacking

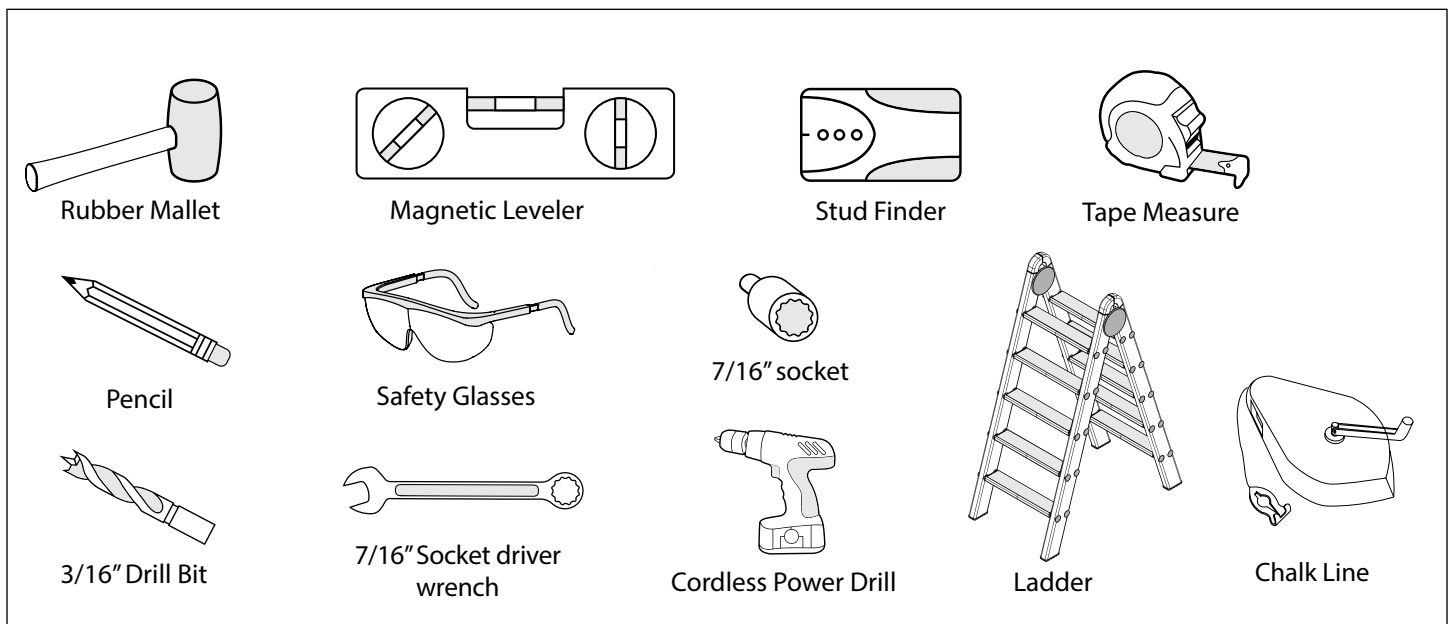
- Begin by placing the package on a covered flat surface.
- Remove all cardboard, foam packaging material and nylon bags.
- Dispose / recycle all packaging materials.
- Verify all the contents in the box and gather the required tools. See “Tools Needed” in the list below.

Product Inspection



- Check to see all parts are received as per the order placed.
- Contact NewAge Products at 1-877-306-8930; for any missing parts.
- Inspect the products for any damages before starting the installation.
- Go through the installation instructions carefully before starting the installation.

Tools Needed

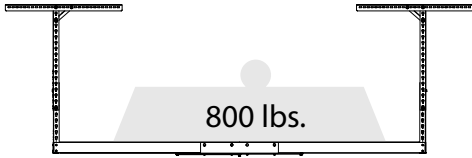


Safety Warning

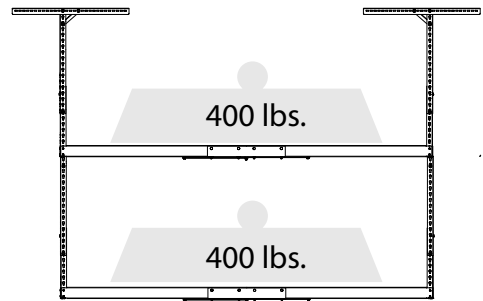
PLEASE READ THIS FIRST

- 1. All VersaRac Pro units have a rated load capacity of 800 pounds, evenly distributed, using 3" lag bolt anchored into solid wood studs or supports capable of supporting such a load.**
- 2. If accessory hooks are purchased, weight capacities of the hooks must be included in the maximum load of 800 lbs per single VersaRac Pro Unit.**
- 3. Do not load more than 800lbs on to a VersaRac Pro. Live loads (people, pets, etc) may weigh less than the rated weight capacity, however will exert force on the rack beyond its rated capacity. As such, do not stand, jump or hang from your VersaRac Pro.**
- 4. VersaRac Pro units must be installed into structurally sound overhead studs or supports. NewAge Products Inc. makes no claim to the capacity or strength of the structure to which the units are mounted.**
- 5. NewAge Products Inc. can not be held liable for structure failure, or damage or injury resulting from structure failure.**
- 6. Always inspect the structure of the ceiling to ensure there is suitable supports. Ensure overhead supports are structurally strong enough to hold one or more VersaRac Pro's.**
- 7. VersaRac Pro is designed for installation into wooden ceiling studs. Do not attempt mounting to steel beams.**
- 8. Ensure all weight is distributed evenly on the rack. Place heavier objects near the vertical angle posts, and lighter objects in the center.**
- 9. Do not jump or climb on your VersaRac Pro.**
- 10. Routinely inspect your system to ensure all components are fastened securely.**

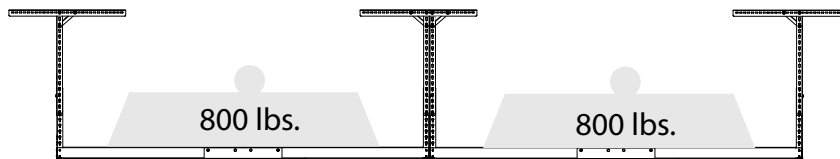
Weight Capacity



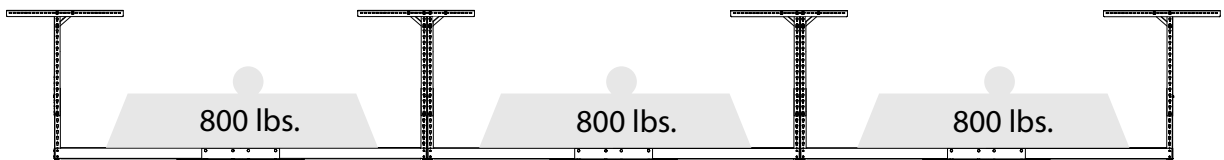
Single VersaRac Pro



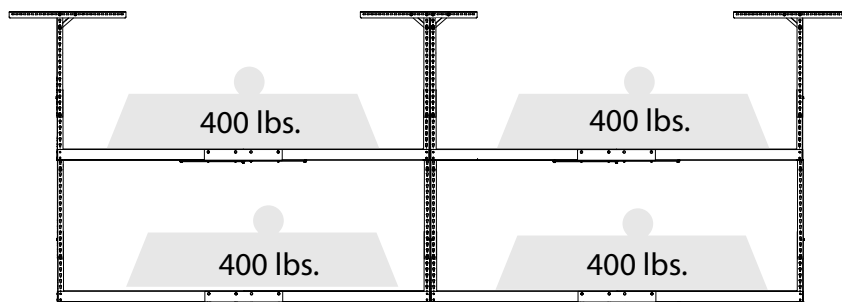
Two Linked VersaRac Pro
Installed Vertically



Two Linked VersaRac Pro Installed Horizontally



Three Linked VersaRac Pro Installed Horizontally



Four Linked VersaRac Pro Installed Vertically & Horizontally

SAFETY WARNING

All VersaRac Pro units have a rated load capacity of 800 pounds, evenly distributed, using 3" Lag Screws anchored into solid wood studs or supports capable of supporting such a load. Ensure all weight is distributed evenly on the rack. Place heavier objects near the perimeter frame and cross supports with lighter objects in the center.

VersaRac Pro Installation Options

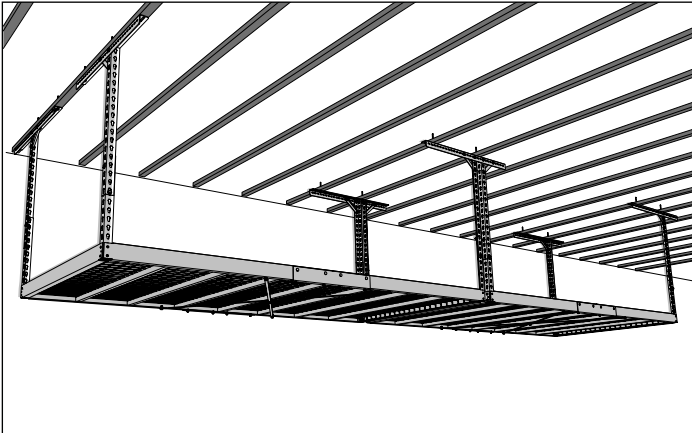


Important information: Please read entire manual before beginning installation.

- Do not exceed total weight capacity of VersaRac Pro.
- Plan layout and measure space for clearance and stud spacing before installing.
- Ensure VersaRac Pro is securely installed to suitable structure.

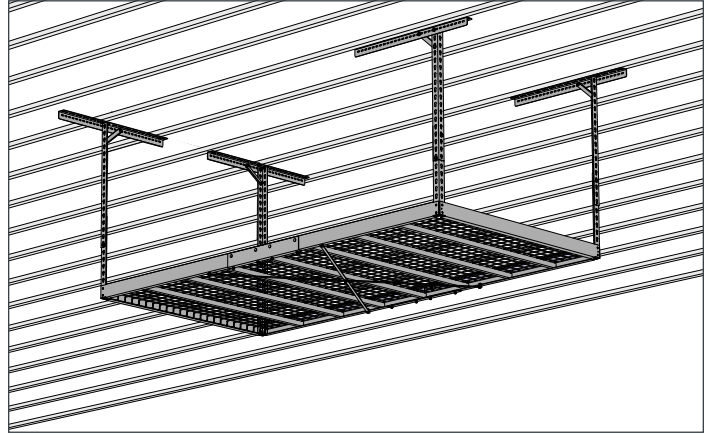
Option B:

Installing two VersaRac Pro Horizontally. Refer to page 19 before starting full installation on page 10.



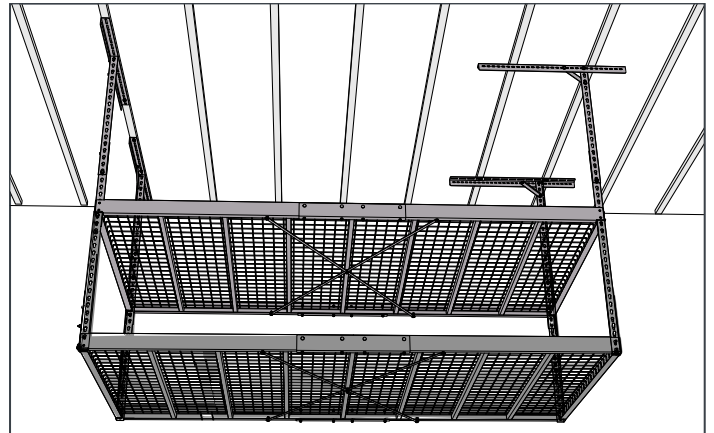
Option A:

Single VersaRac Pro attached to the ceiling. See installation process start from Page 10.

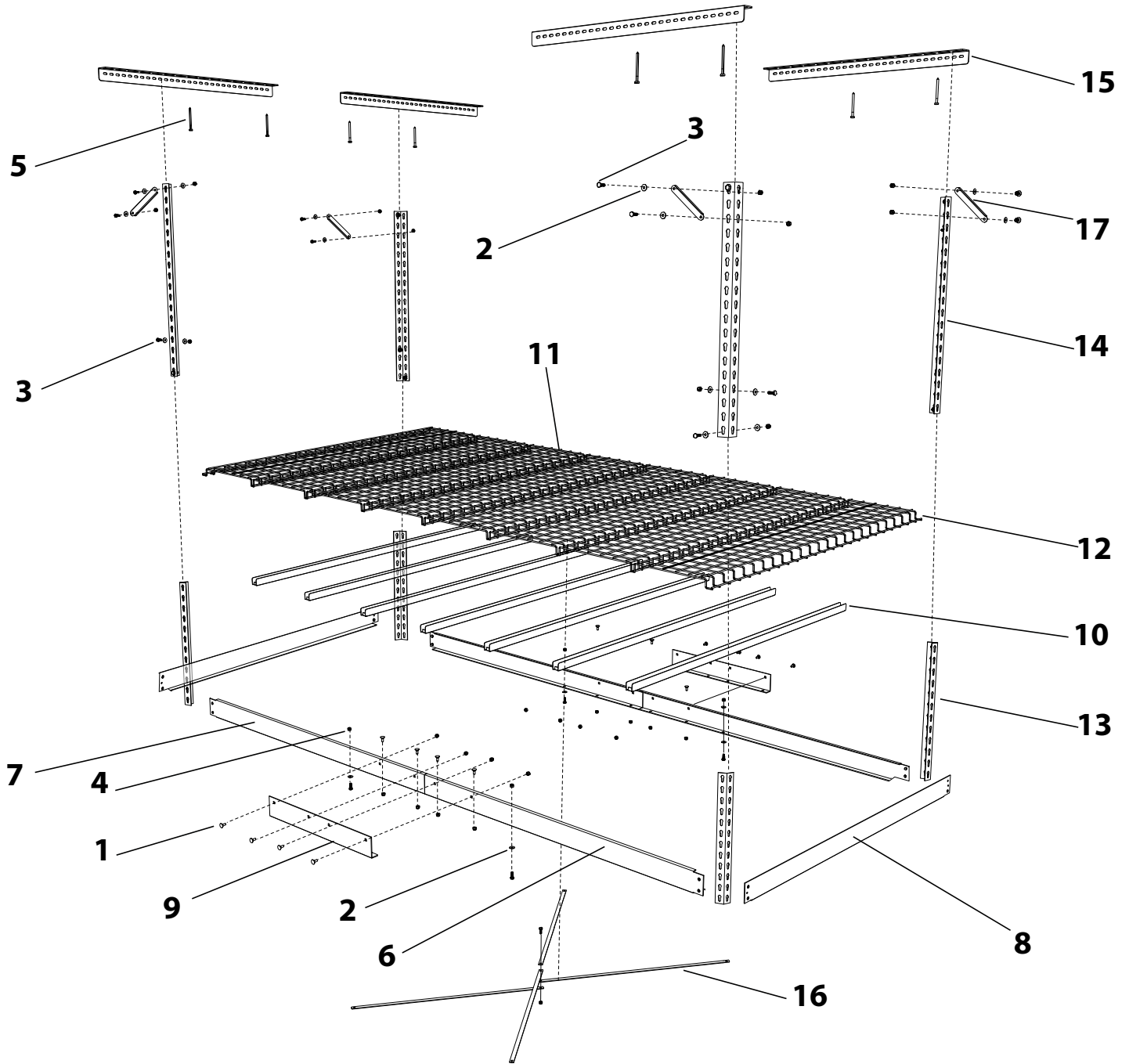


Option C:

Installing two VersaRac Pro Vertically. Refer to page 20 before starting full installation on page 10.

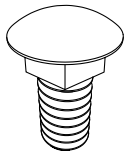


Parts Supplied and Spare Parts List

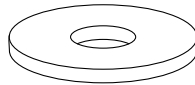


Parts Supplied and Spare Parts List

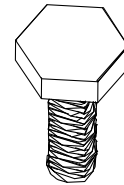
ITEM NO.	PART NUMBER	DESCRIPTION	INCLUDED QTY.	SPARE PART SKU	SPARE PART QTY.
1	H00001A-01	1/4-20x0.625in Carriage Bolt	16	40492	1
2	H00002A-01	1/4in Flat Washer	48	N/A	N/A
3	H00004A-01	1/4-20x0.75in Hex Bolt	25	40493	1
4	H00005A-01	1/4-20 Lock Nut	41	40491	1
5	H00009A-01	1/4 x 3in Lag Screw	8	40490	1
6	VR2-01.001A-01-XX	VersaRac Pro Right Hand Front Beam	2	N/A	N/A
7	VR2-01.002A-01-XX	VersaRac Pro Left Hand Front Beam	2	N/A	N/A
8	VR2-01.003A-01-XX	VersaRac Pro 4X8ft Side Beam	2	N/A	N/A
9	VR2-01.005A-01-XX	Front L Joining Bracket	2	N/A	N/A
10	VR2-01.006A-01-XX	VersaRac Pro 4X8ft 'U' Shaped Grid Supports	7	41287	1
11	VR2-01.007A-01-XX	VersaRac Pro 4X8ft Middle Wire Grid	6	N/A	N/A
12	VR2-01.008A-01-XX	VersaRac Pro 4X8ft End Wire Grid	2	N/A	N/A
13	VR2-01.010A-01-XX	VersaRac Pro 18in Vertical Post	4	41286	4 of each Post
14	VR2-01.011A-01-XX	VersaRac Pro 27in Vertical Post	4		
15	VR2-01.012A-01-XX	VersaRac Pro Ceiling Bracket	4	41288	1
16	WSH-01.010A-01-XX	4ft Cross Supports	4	N/A	N/A
17	VR2-01.013A-01-XX	VersaRac Pro Sway Bracket	4	N/A	N/A



1/4-20x0.625in
Carriage Bolt



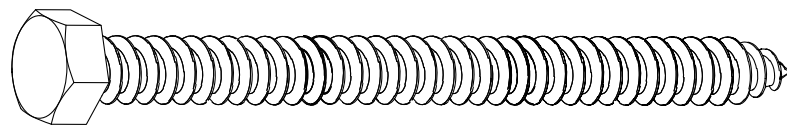
1/4in Flat Washer



1/4-20x0.75in
Hex Bolt



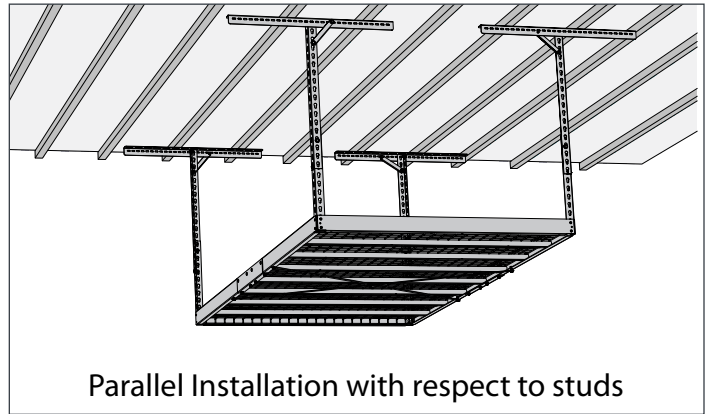
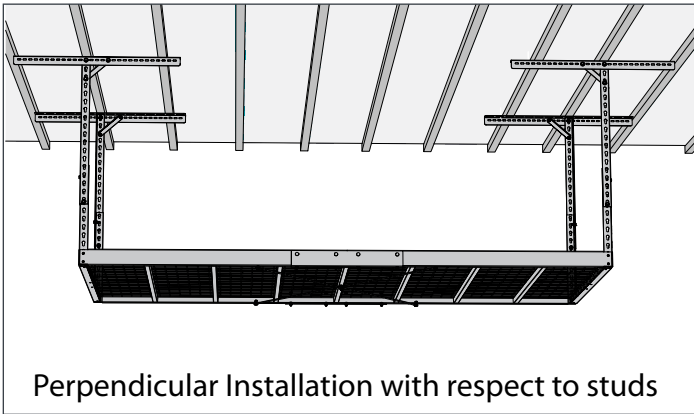
1/4-20 Lock Nut



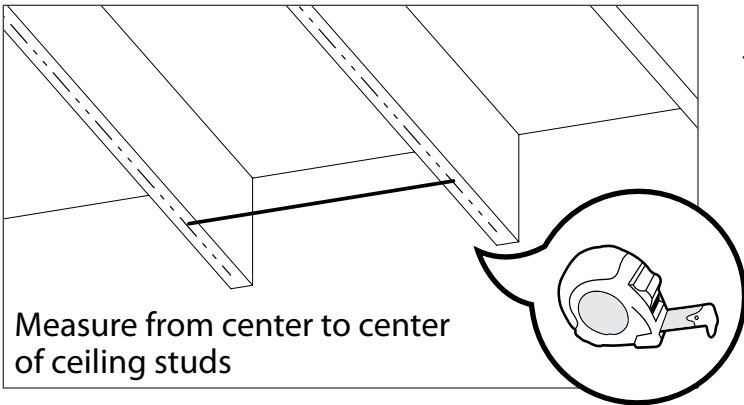
1/4 x 3in Lag Screw

Plan the Installation Location

i Determine if the VersaRac Pro will be installed either parallel or perpendicular to the ceiling studs.

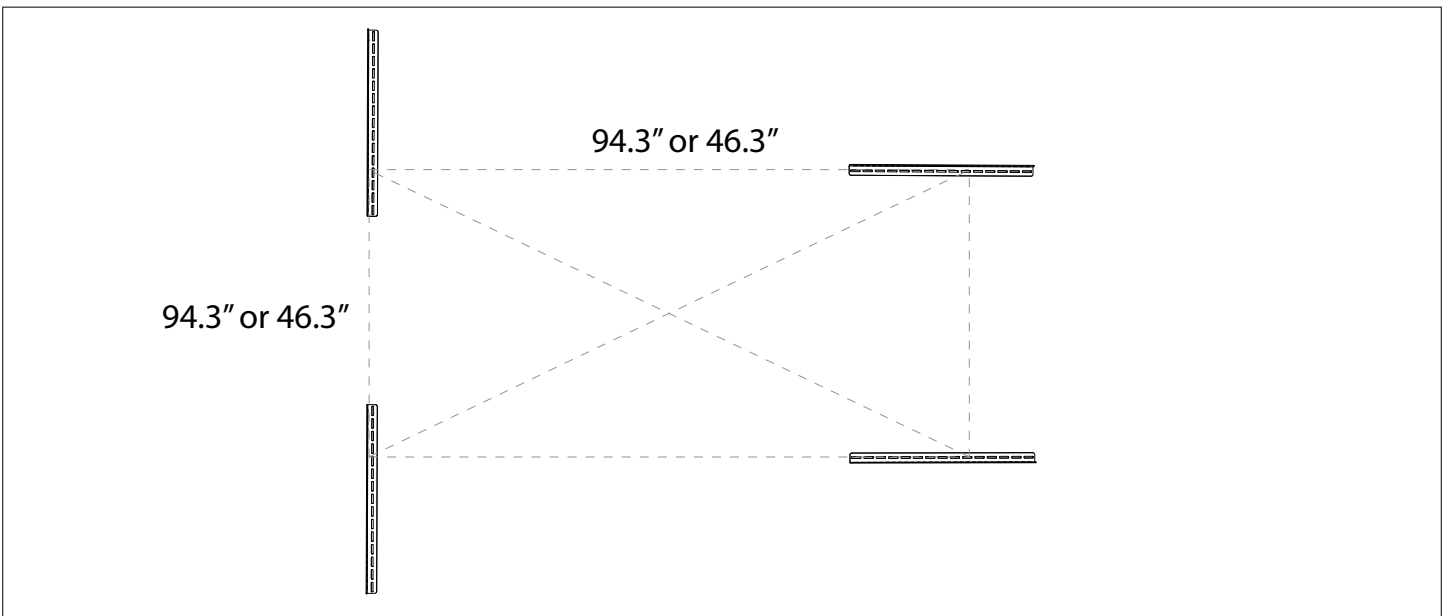


i Check the spacing of your ceiling studs to ensure that they will work for the size and direction of your VersaRac Pro install.



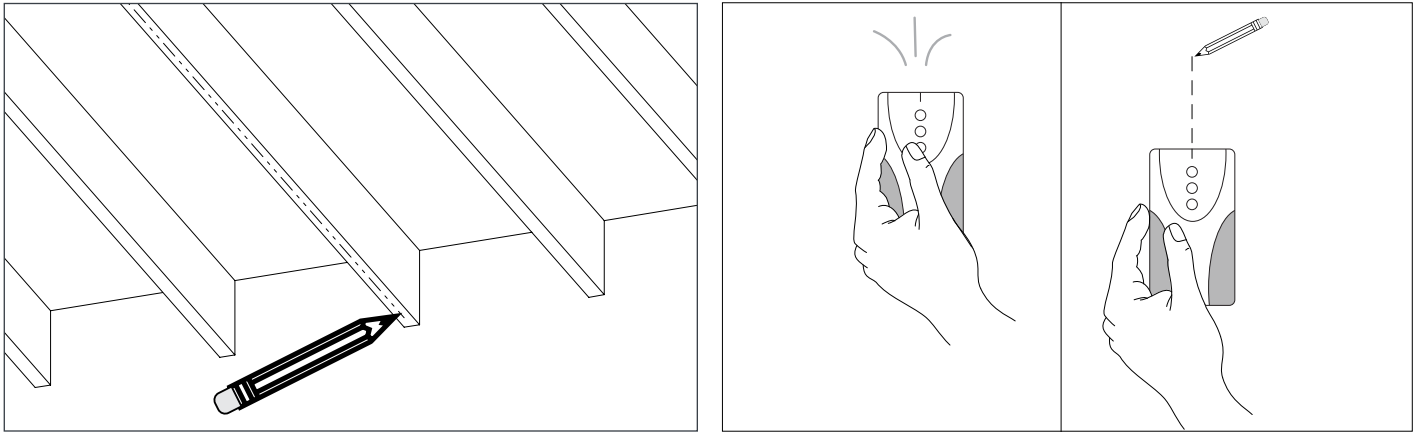
NOTE: If the spacing of your studs are irregular and exceed 28 inches or the ceiling brackets are not aligning to the ideal position, you will need to install engineered studs. Please refer to "Installing a stud hanger" on **page 22** to install a ceiling stud in the desired position.

i Ceiling brackets can be installed either parallel or perpendicular to the VersaRac Pro. Start planning the location of the top ceiling brackets and vertical posts. See the recommendation below.

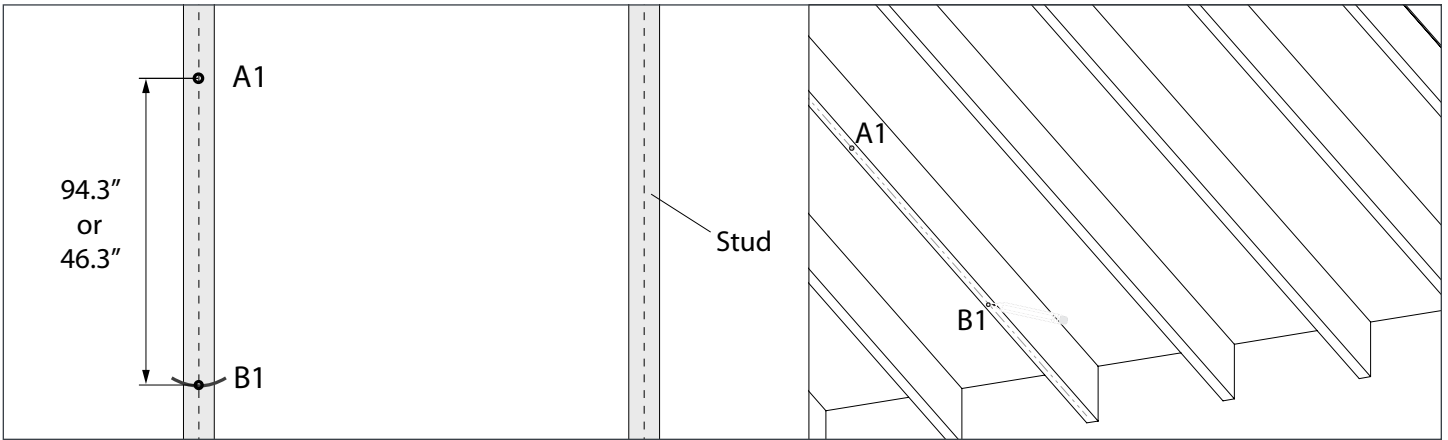


Plan the Installation Location

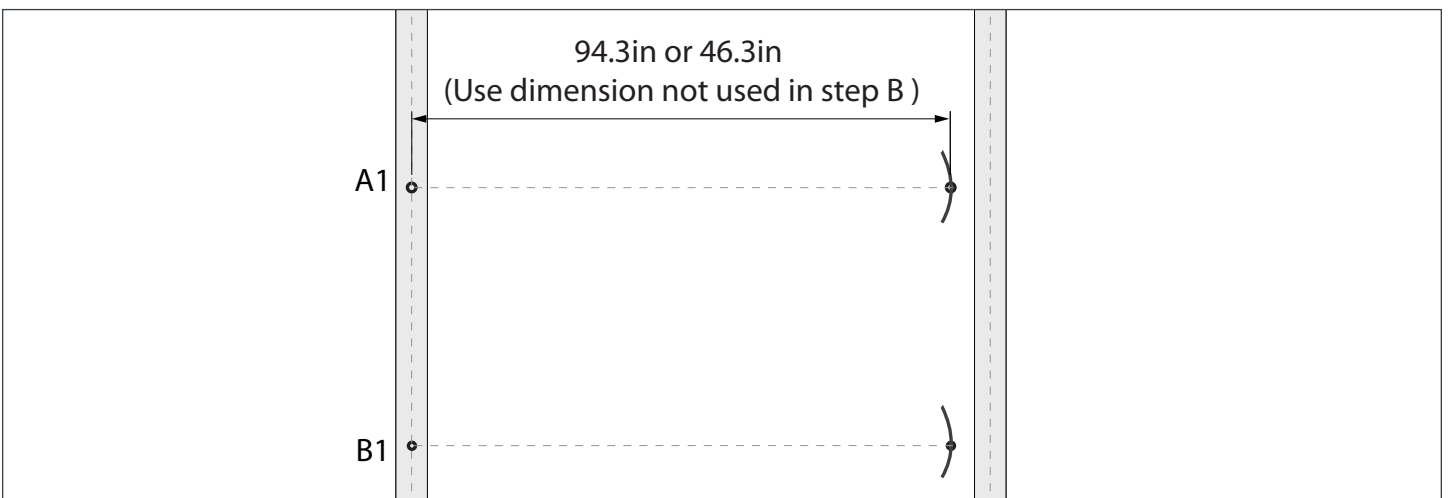
A Locate and mark the center of ceiling stud for top ceiling brackets and vertical posts. Use a stud finder to locate the studs if ceiling is finished with drywall.



B Plan where the VersaRac Pro would be installed and mark Points A1 and B1 on the center of a stud, 94.3" or 46.3" apart depending on the orientation which you choose to install the VersaRac Pro. **NOTE:** Aligning the edge of the VersaRac Pro to the center of the stud is not required but it is recommended.



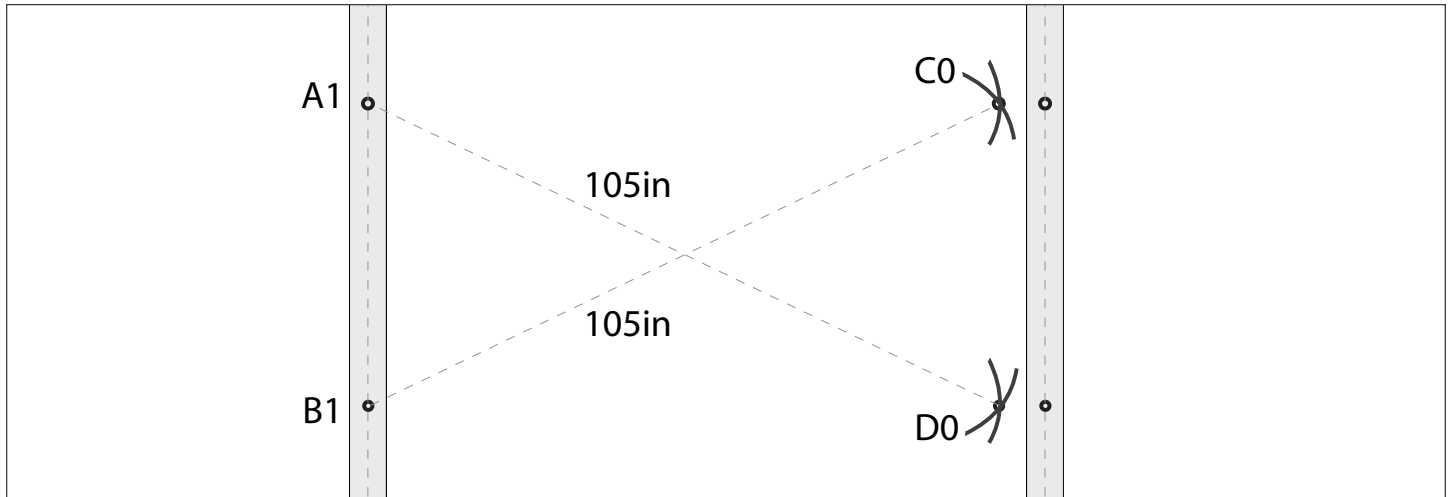
C Mark two curved lines 94.3" or 46.3" apart from Points A1 and B1 as shown. If 94.3" was measured in step B, then measure 46.3".



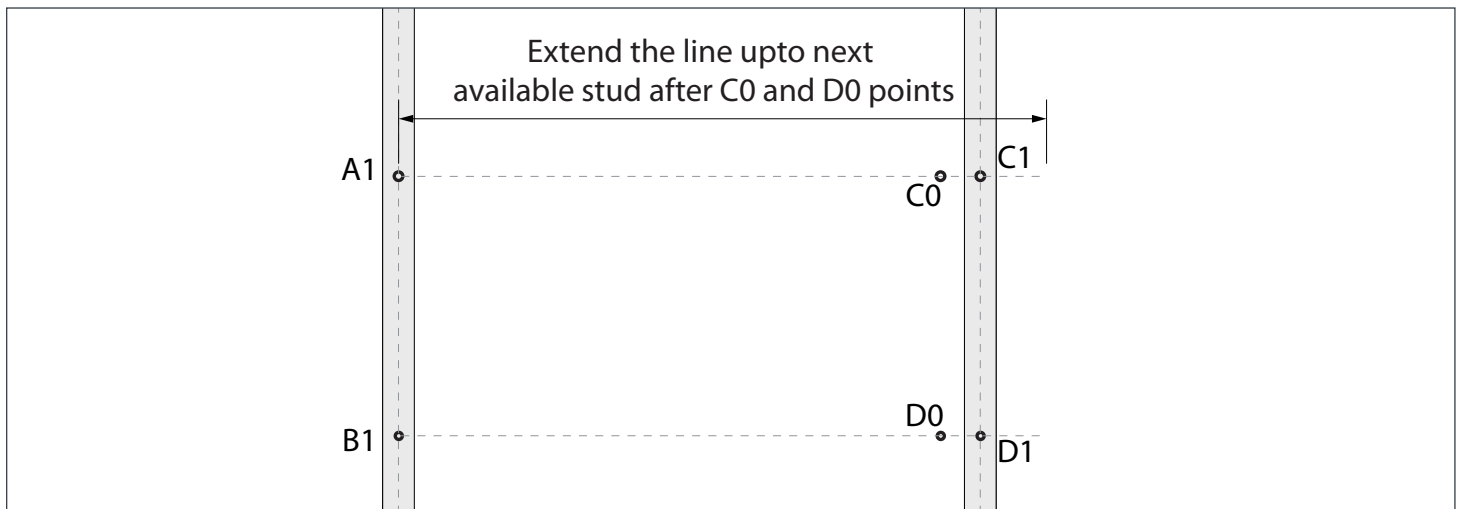
NOTE: Refer page 22 if required to install the Stud Hanger.

Plan the Installation Location

D Mark two curved lines 105in diagonally from Points A1 and B1 as shown. Mark point C0 and D0.



E Draw the line from A1 to C0 and extend the line to the center of the next stud and mark point C1. Repeat for point B1 to D0 and then mark point D1.



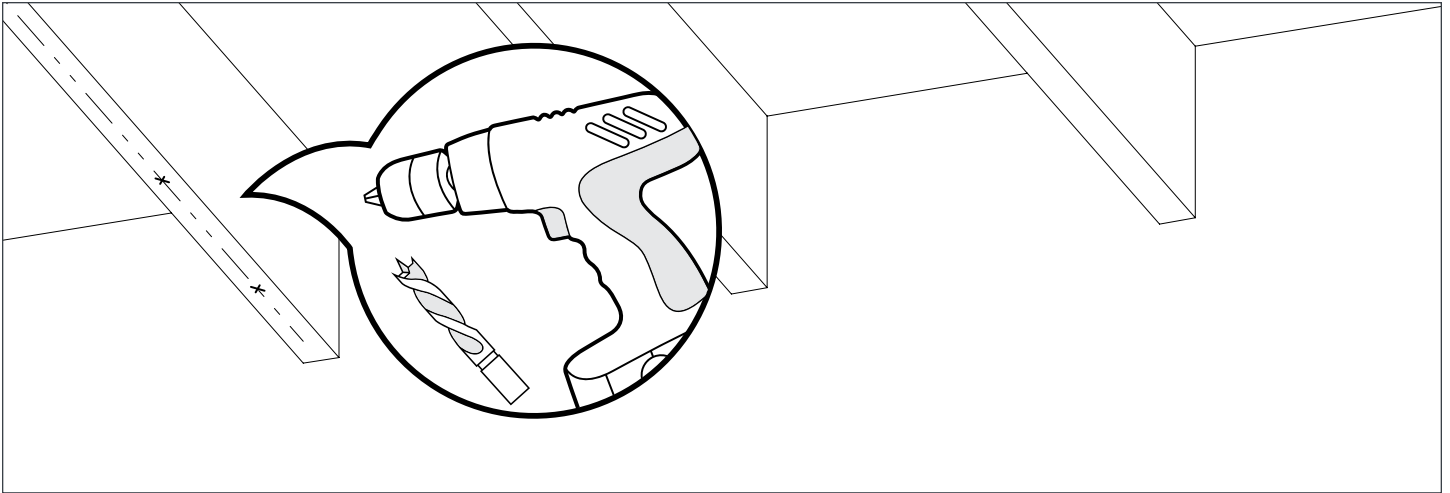
F Mark points A2, B2, C2 and D2 according to the positions which you have planned to install the ceiling brackets.



NOTE: The ceiling brackets at point A and B can be orientated horizontally if the edge of the VersaRac Pro is not aligned with the center of the stud.

Installing Ceiling Brackets & Vertical Posts

1 Pre drill 3.125in deep pilot holes into the ceiling stud using a 3/16" drill bit.

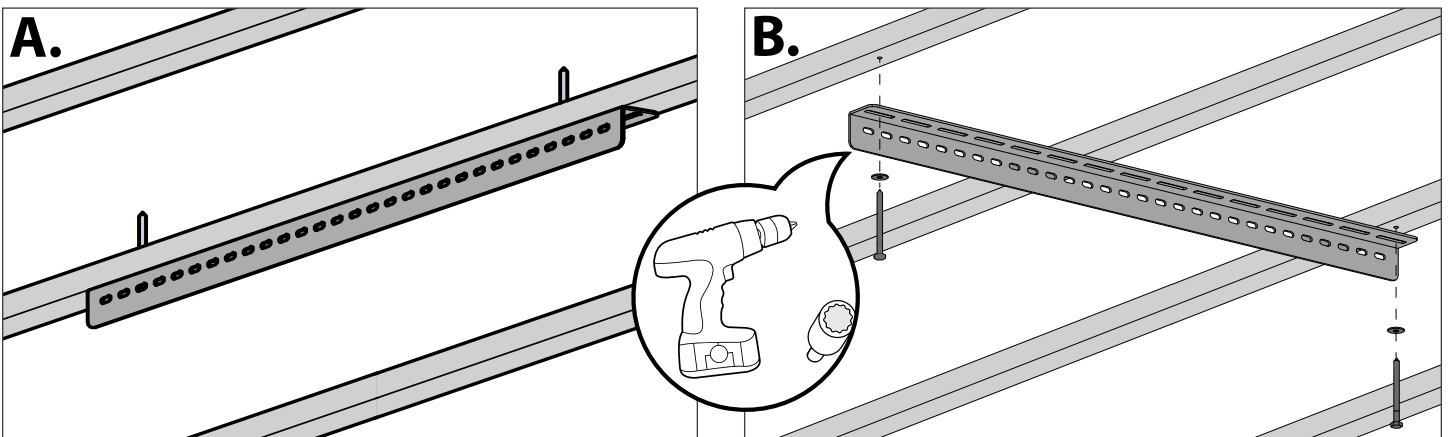


Install first top ceiling bracket, at the points marked in step F on page 12, using two lag screws and two flat washers.

NOTE:

2 A. If the location of the VersaRac Pro is on a stud, install the ceiling bracket parallel to the ceiling stud.

B. If the location of the VersaRac Pro is not sitting exactly on a stud, install the ceiling bracket perpendicular to the two studs.

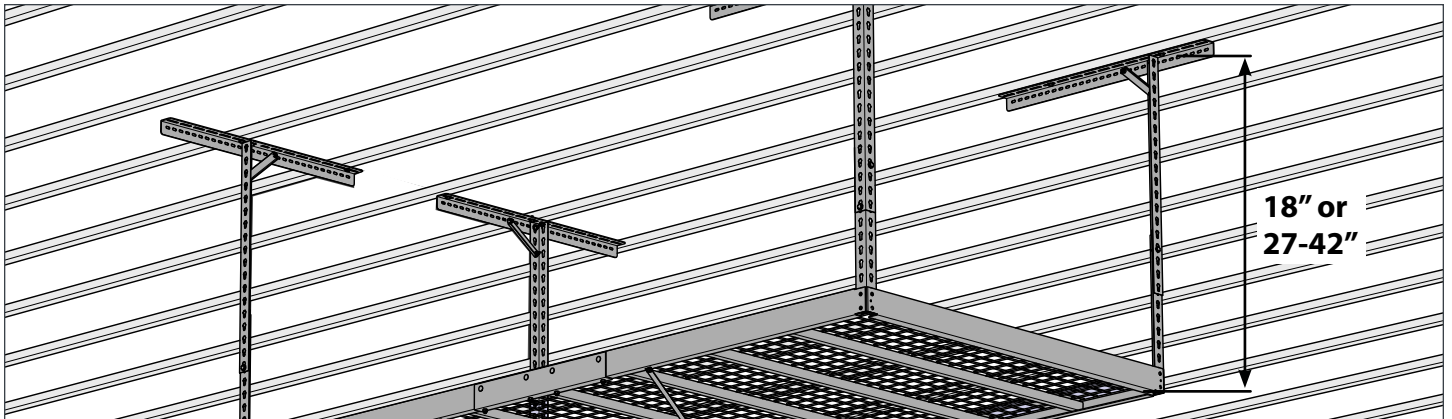


i **NOTE:**

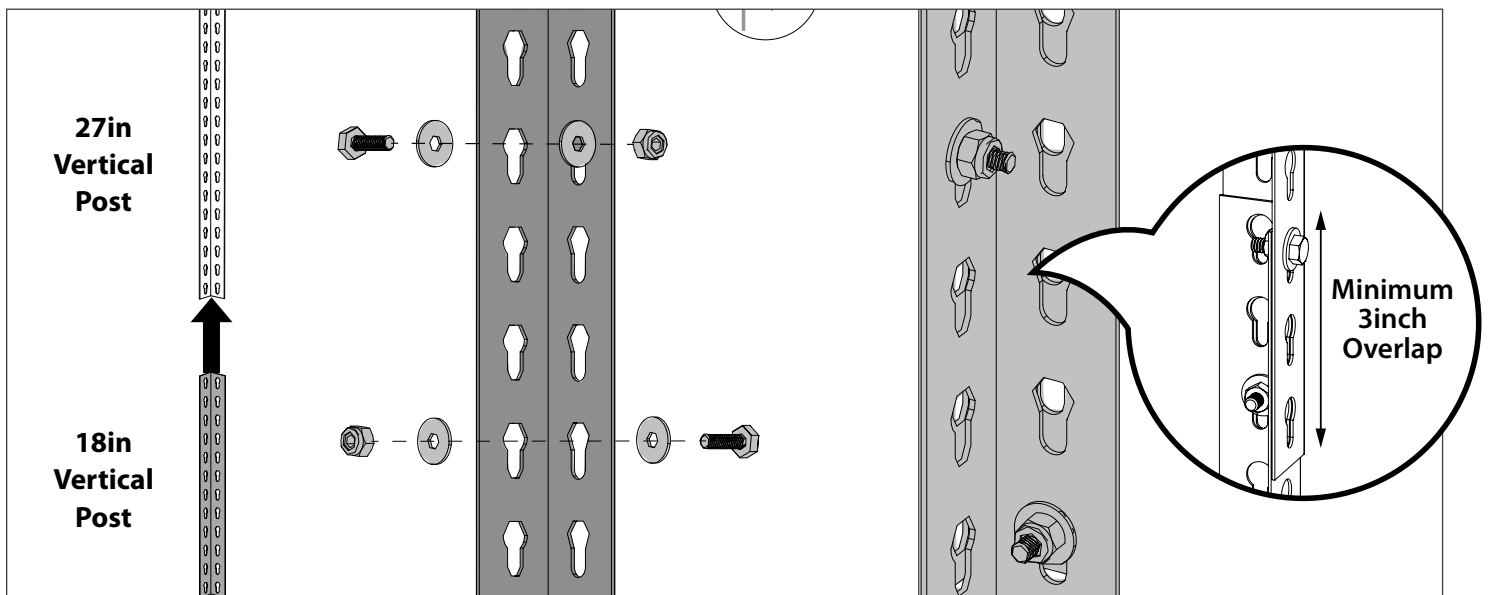
- Make sure the lag bolts are tight against the stud but **DO NOT** over-tighten the Lag screws.
- If lag screws are over-tightened, the screws could snap or the hole may be stripped.

Installing Ceiling Brackets & Vertical Posts (Contd.)

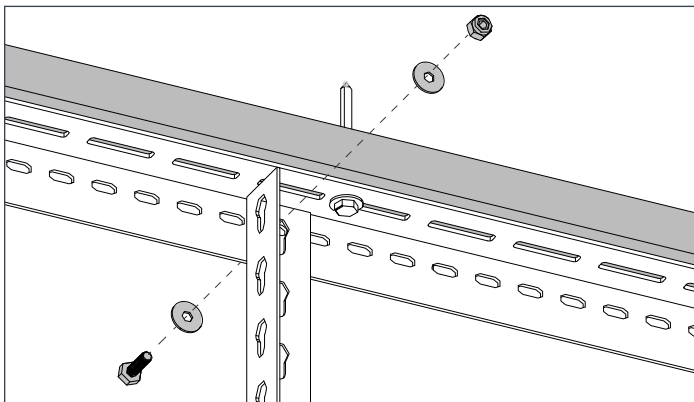
- 3** Determine the height of the VersaRac Pro from ceiling to bottom of the overhead rack.



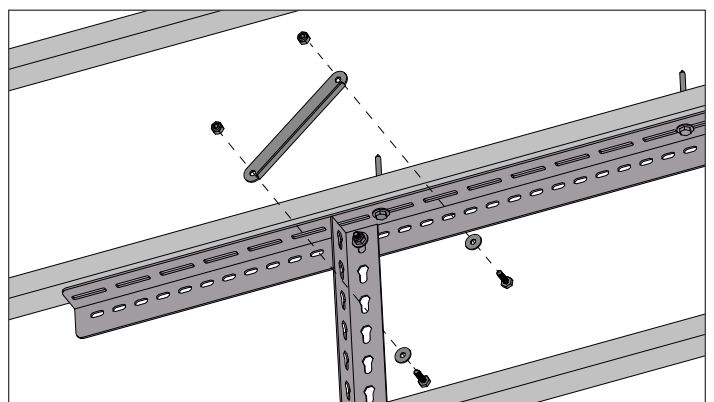
- 4** If desired height is greater than 18", bolt an 18" vertical post to a 27" vertical post using two hex bolts, two lock nuts and four flat washers. Use one hex bolt on each side of the vertical post with keyholes in the same direction.



- 5** Tighten the vertical posts using one hex bolt, two flat washers and one lock nut to the top ceiling brackets.

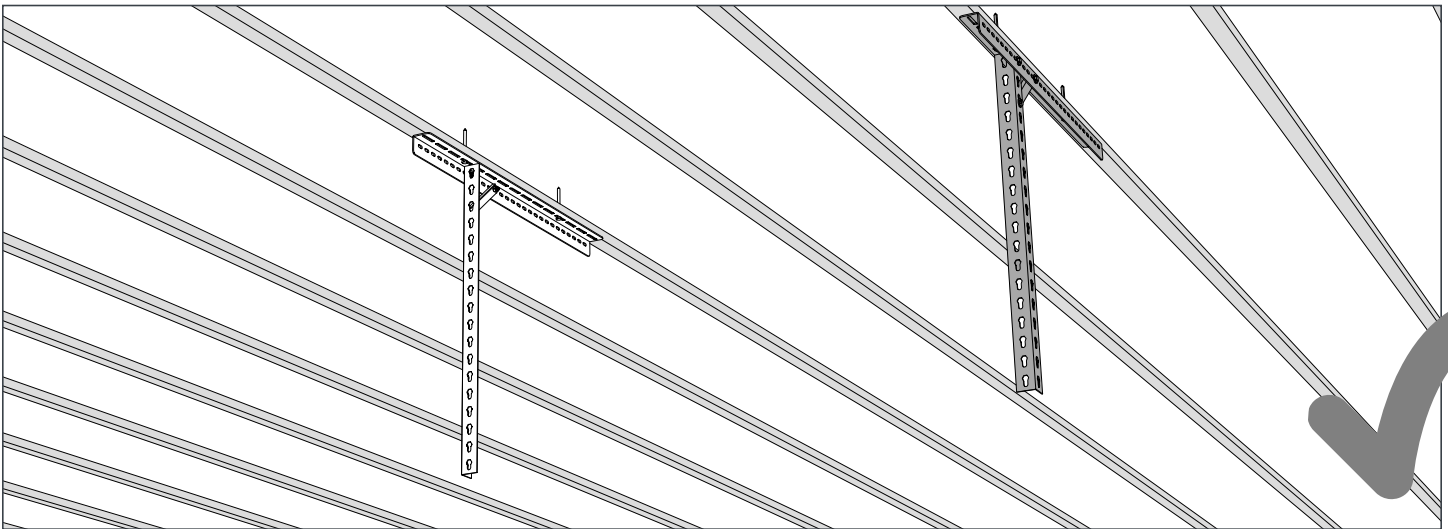
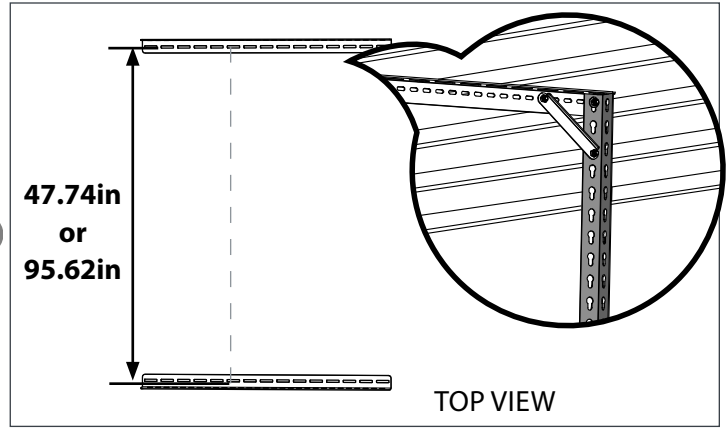
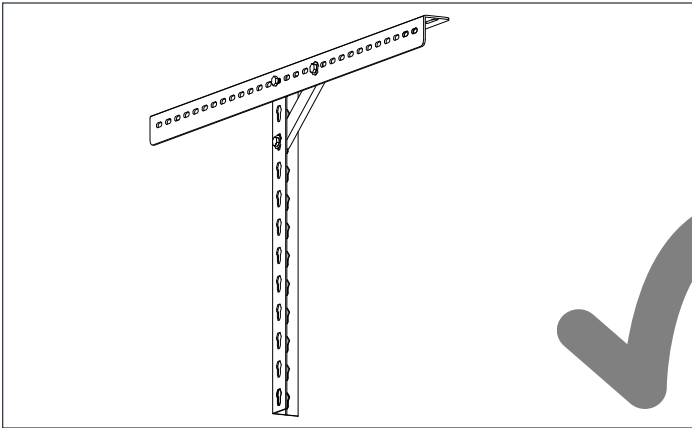


- 6** Install the sway bracket diagonally on to the ceiling bracket and top vertical post using two hex bolts, two flat washers and two lock nuts.



Installing Ceiling Brackets & Vertical Posts (Contd.)

7 Follow steps 1 to 6 and Install the second top ceiling bracket and vertical post. Ensure vertical posts installed have a distance of 47.74 or 95.62 inches.



8 Follow steps 1 to 7 for the remaining vertical posts.

