

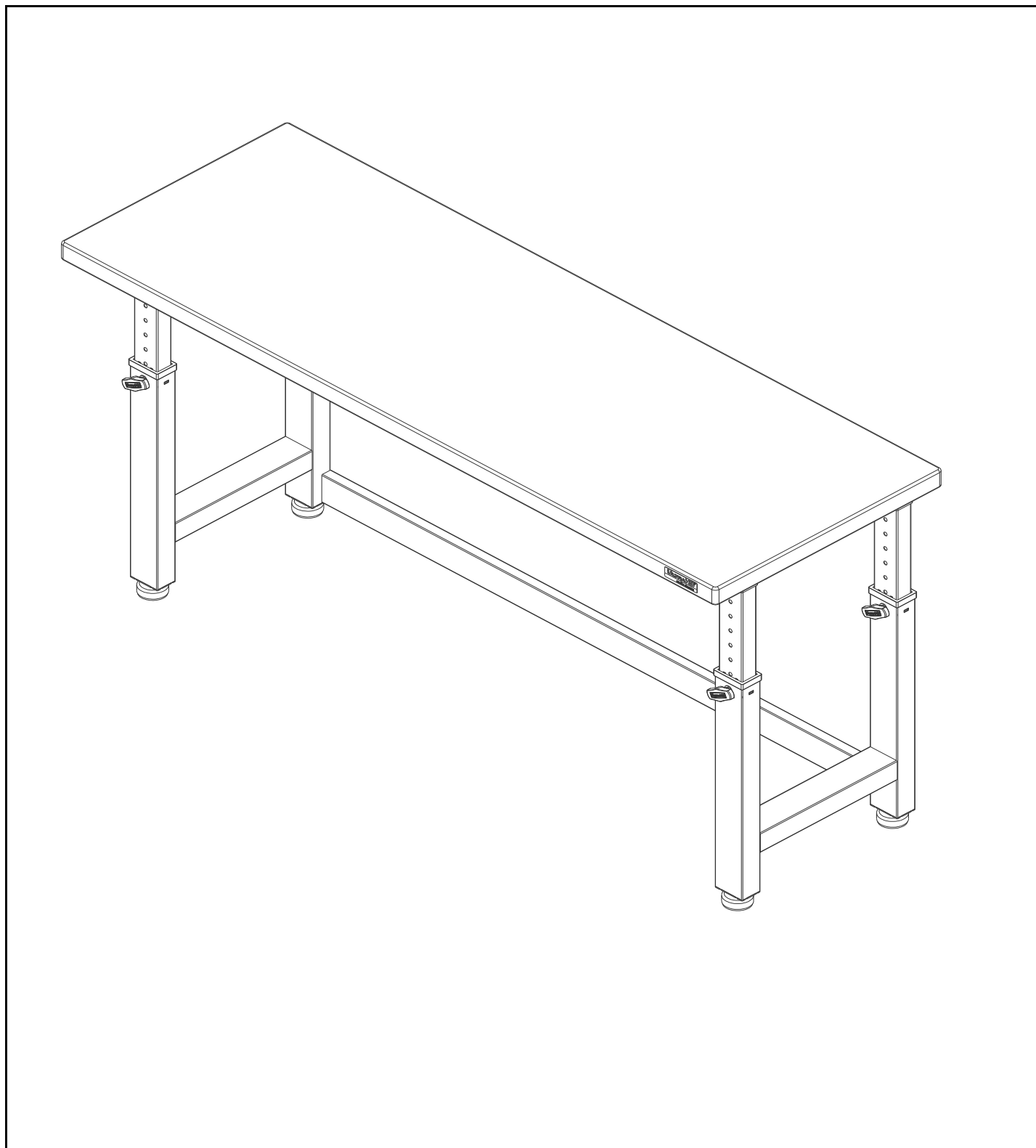


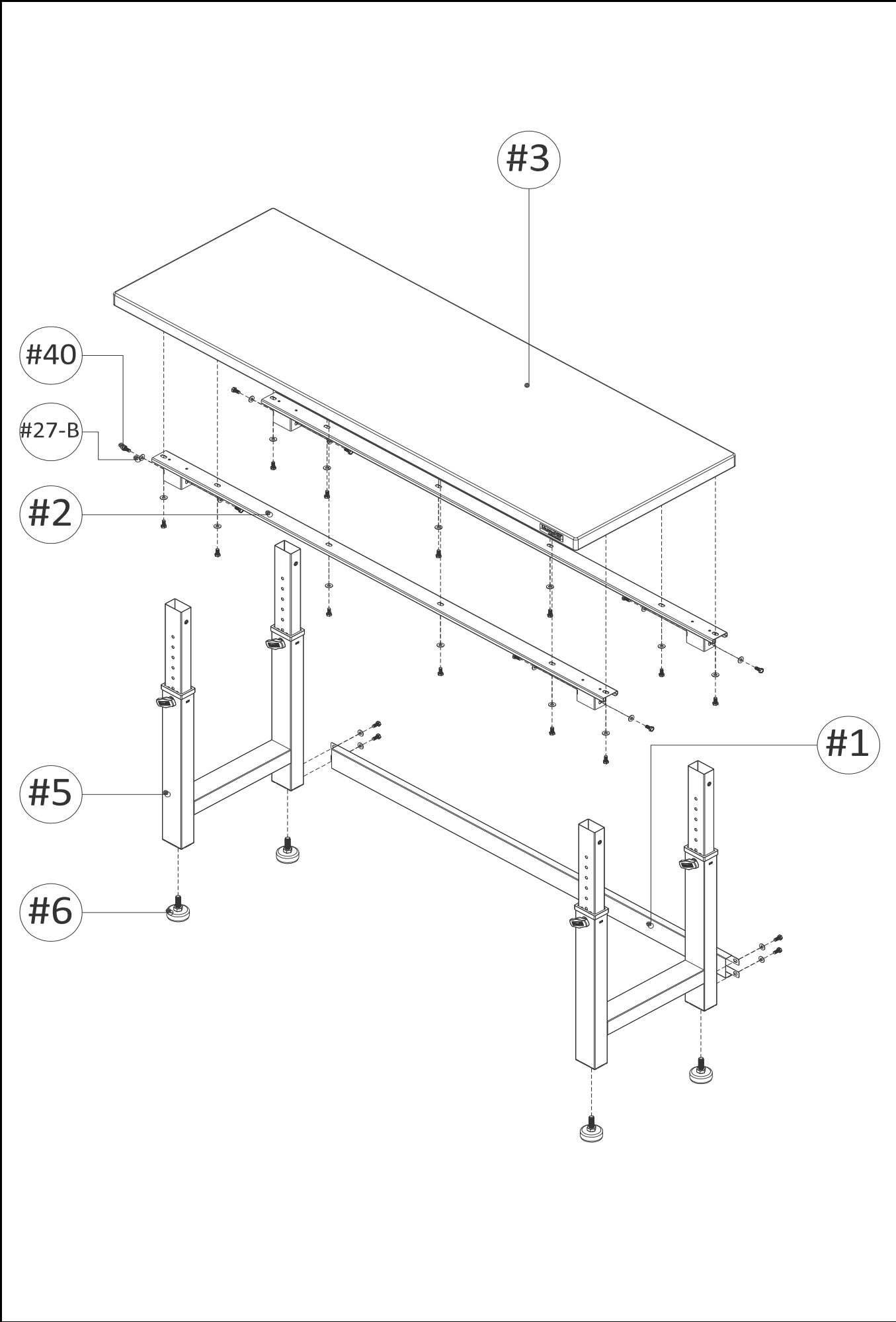
ASSEMBLY INSTRUCTIONS

UltraHD® 6-Foot Height Adjustable Workbench

(Model No. 20292)

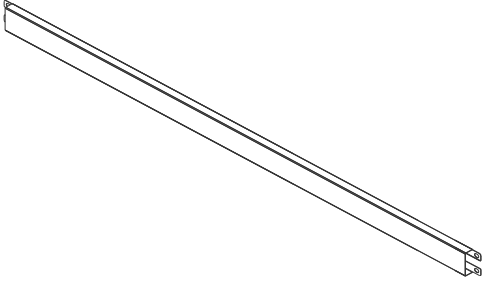
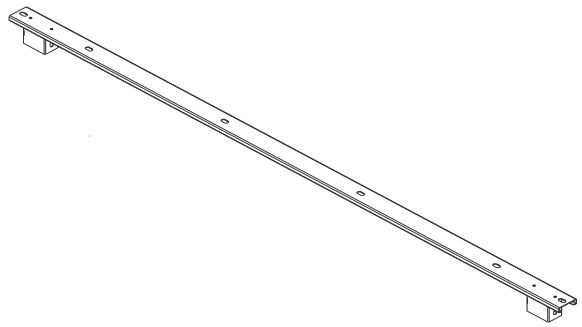
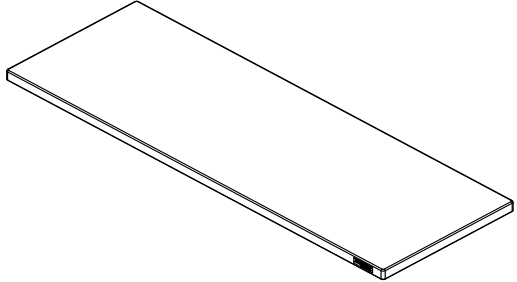
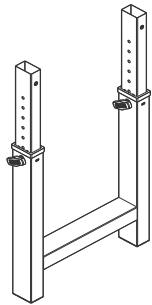
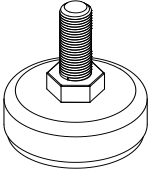
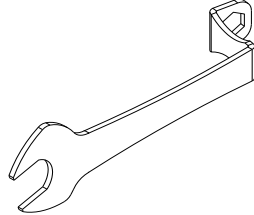
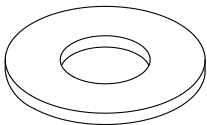
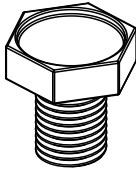
72 in. W x 25 in. D x 28.5~42 in. H
(1.82 m x 63.5 cm x 72.4 cm~1.06 m)






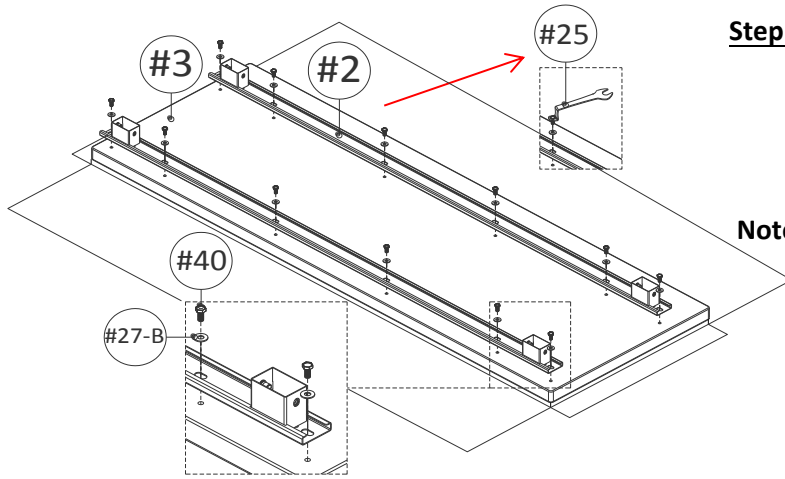
PARTS LIST

Please check the parts carefully according to the parts list. If you are missing any parts, please call our customer service department (please see page 5.)

	
<p style="text-align: center;">(#1) Bottom Crossbar x 1 PC</p>	<p style="text-align: center;">(#2) Top Crossbars x 2 PCS</p>
	
<p style="text-align: center;">(#3) Wood Top x 1 PC</p>	<p style="text-align: center;">(#5) Legs x 2 PCS</p>
	
<p style="text-align: center;">(#6) Leveling Feet x 4 PCS</p>	<p style="text-align: center;">(#25) Wrench x 1 PC</p>
	
<p style="text-align: center;">(#27-B) Washers x 24 PCS</p>	<p style="text-align: center;">(#40) Screw E (M8 x 18L) x 24 PCS</p>

UltraHD® 6-Foot Height Adjustable Workbench (Model No. 20292)

 *NOTE: We recommend using TWO people to assemble the workbench. 



Step 1. Assemble Top Crossbars (#2)

Open the package and make sure you have all the parts. Put them aside and open the package of the Solid Hardwood Top (#3).

Note: DO NOT remove Solid Hardwood Top (#3) from cardboard. Assemble on cardboard to reduce chance of scratching the top.

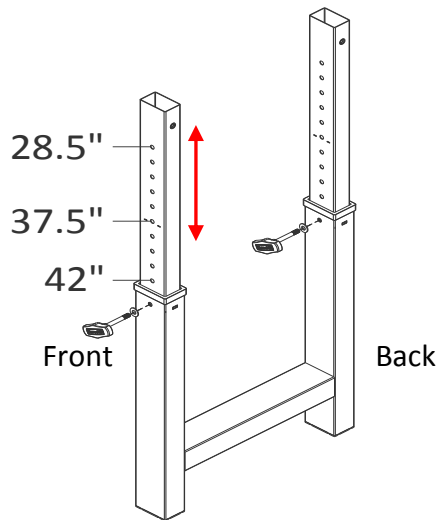
Attach both Top Crossbars (#2) to the Solid Hardwood Top (#3). Use 12 pcs Screw E (#40) with Washers (#27-B) and Wrench (#25) to tighten.

Note: DO NOT fully tighten the screws until Step 3.

Step 2. Adjust the Height of the Leg(#5)

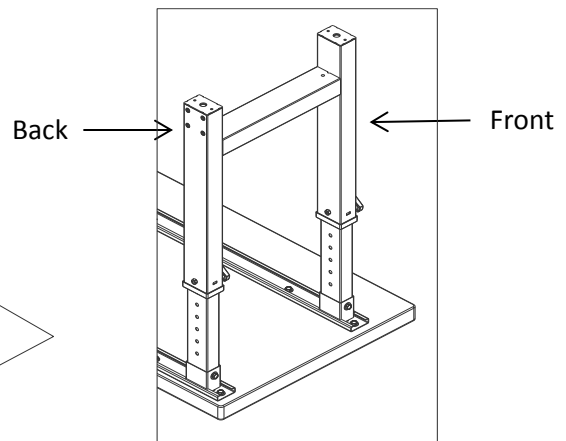
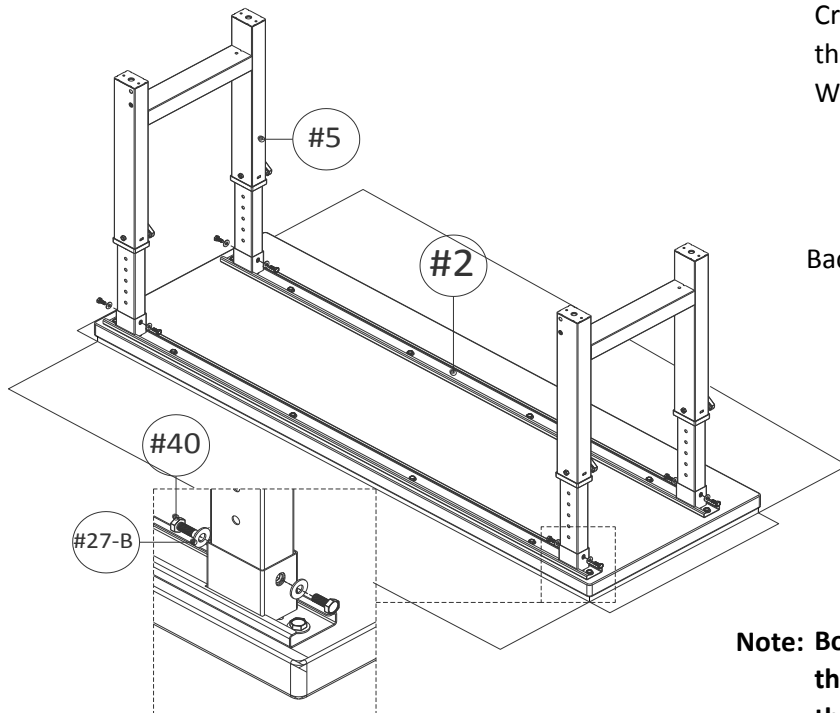
1. Remove the Hand Knobs on each Leg (#5), adjust the Legs (#5) to your desired height. The Legs can be adjusted from 28.5 in. to 42 in.

2. Insert all 4 Hand Knobs and washers back into the leg tubes.



Step 3. Assemble Legs (#5)



Attach both Legs (#5) into the tube on the Top Crossbars (#2) as the left photo shows, line up the screw holes, use 8 pcs Screw E (#40) and Washers (#27-B) to tighten the legs.

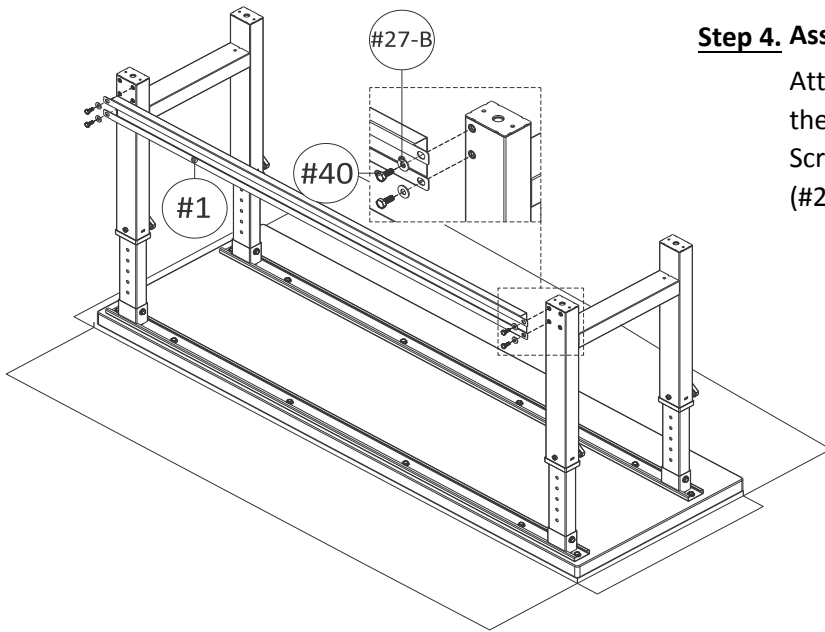


Note: Both Legs (#5) have holes near the bottom of the frame. Make sure all the holes are facing the back of the unit.

Fasten all screws after this step.

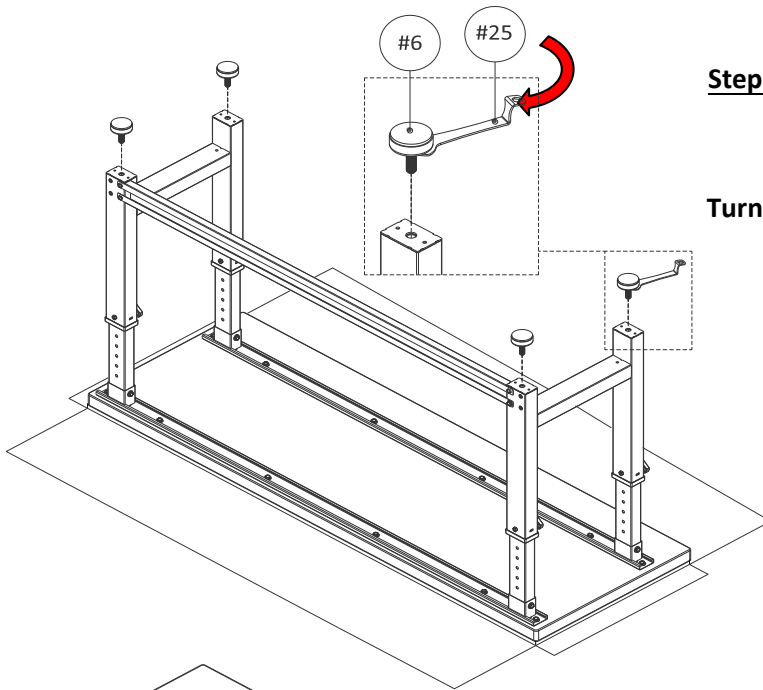
UltraHD® 6-Foot Height Adjustable Workbench (Model No. 20292)

 *NOTE: We recommend using TWO people to assemble the workbench. 



Step 4. Assemble Bottom Crossbar (#1)

Attach the Bottom Crossbar (#1) to the back of the Legs (#5), line up the screw holes, use 4 pcs Screw E (#40) with Washers (#27-B) and Wrench (#25) to tighten.



Step 5. Attach leveling Feet (#6)

Insert the Leveling Feet (#6) into the Legs (#5), use Wrench (#25) to tighten.

Turn the workbench upright once you finish this step.

If you want to adjust the height of the Workbench, turn the workbench upside down.

Unscrew the Hand Knobs and adjust the height.

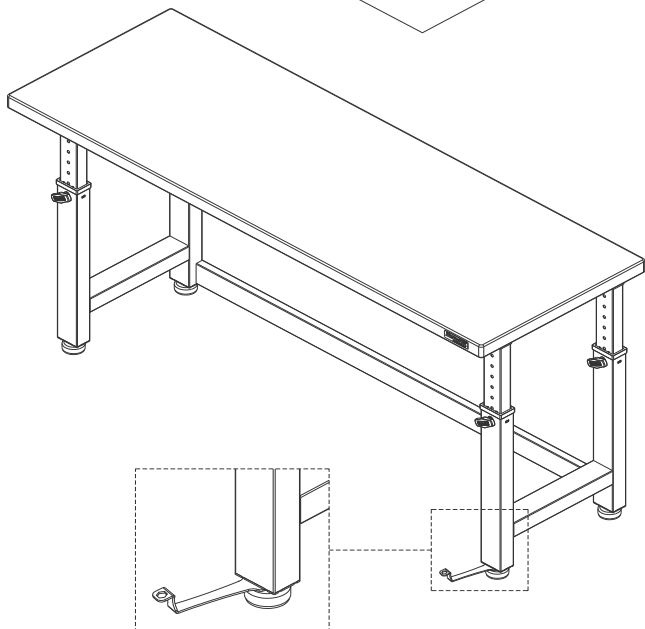
UltraHD® Wood Top Care Instructions

Our tops are made with real wood, and while great care is taken to ensure consistent top color and graining, there may be natural variations between finished products. We hand select the wood for every top to ensure the material is undamaged and naturally beautiful. If the wood top is received with excessive damage or splitting, Seville Classics will guarantee replacement of the top. Variations of color, and minor scratches in the clear coat finish will not be reason for replacement.

Restore Shallow Scratches or Chips

The wood surface of this product is finished with a polyurethane coat. If the wood top becomes chipped or scratched, a polyurethane coat can be reapplied to restore a smooth texture and protect from future damage.

Please follow the manufacturer's instruction on the product for application.



CONTACT INFORMATION

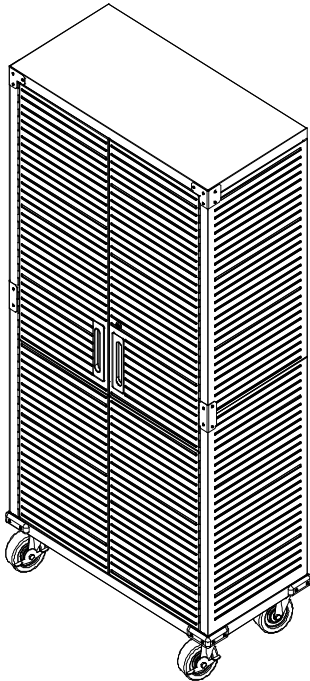
If you are missing any parts, have any questions, or need additional assistance in assembly, please contact our bilingual (English and Spanish) customer service department at:



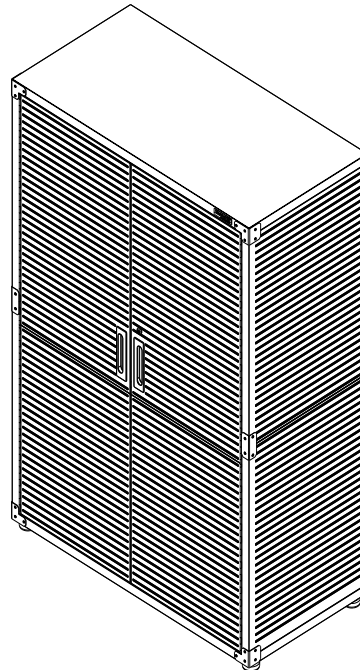
Seville Classics, Inc.
19401 Harborgate Way Torrance, CA 90501 USA
Telephone: (800) 323-5565 within USA
Fax: (310) 533-3899
Hours: 9:00am - 4:30pm (Pacific Standard Time)
E-mail: support@sevilleclassics.com
Website & Online Store: www.sevilleclassics.com

*****Please visit our website or call and inquire about our additional UltraHD Line*****

UltraHD® Line

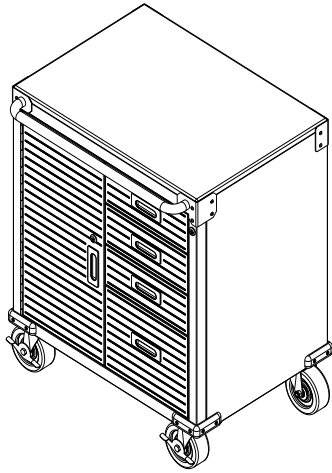


UltraHD® Tall Storage Cabinet
Model No. 16236 (Granite)
Model No. 20143 (Graphite)
Model No. 20153 (Red)
Model No. 20133 (White)

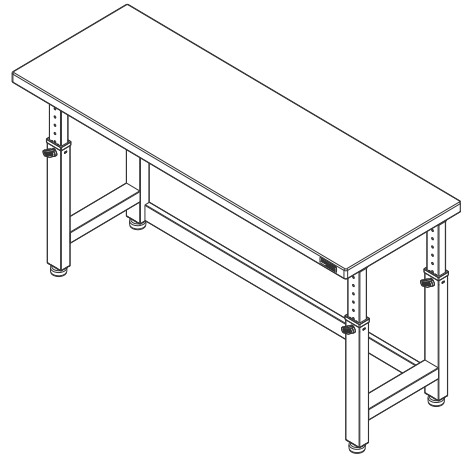


UltraHD® Mega Storage Cabinet
Model No. 16238 (Granite)
Model No. 20148 (Graphite)
Model No. 20158 (Red)

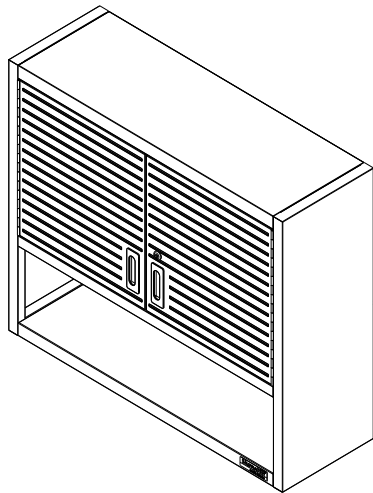
UltraHD® Line



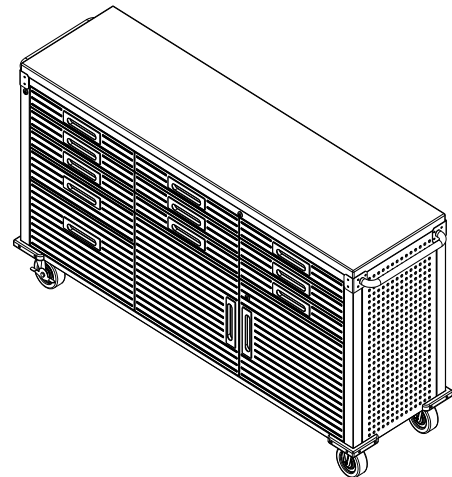
UltraHD® 4-Drawer Rolling Cabinet
Model No. 20205 (Granite)



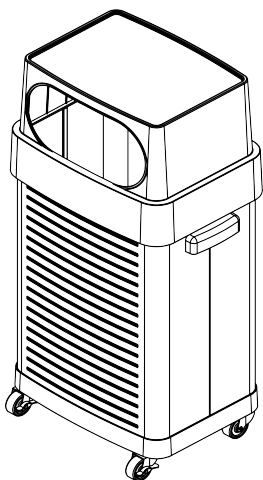
UltraHD® 6-Foot Height Adjustable Workbench
Model No. 20292 (Granite)



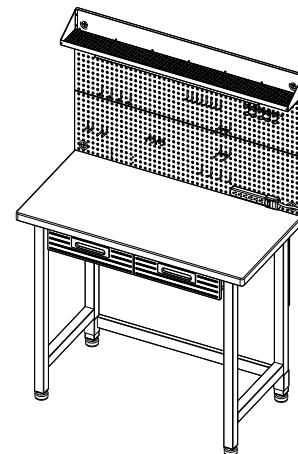
UltraHD® Wall Cabinet with Open Shelf
Model No. 20230 (Granite)
Model No. 20140 (Graphite)
Model No. 20150 (Red)



UltraHD® 2-Door Rolling Workbench
Model No. 20262 (Granite)
Model No. 20142 (Graphite)
Model No. 20152 (Red)



UltraHD® Rolling Trash Bin
Model No. 20215



UltraHD® Lighted Workcenter
Model No. 20247 (Granite)
Model No. 20246 (Graphite)
Model No. 20157 (Red)