

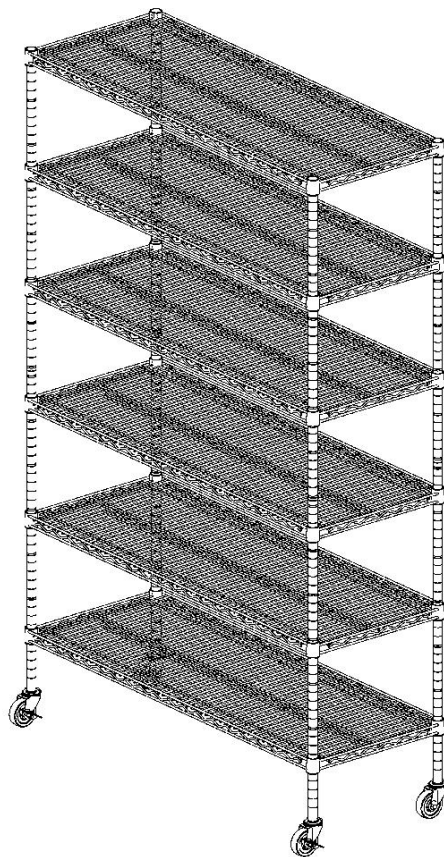


Assembly Instructions & User's Manual
for
Member's Mark Commercial-Grade 6-Tier
Steel Wire Shelving with Wheels

Item Number: 990290812


Model Number: 18496VB

Customer Assistance (replacement parts): 1 (800)323-5565
or Email: Support@SevilleClassics.com



THIS ASSEMBLY MANUAL CONTAINS IMPORTANT SAFETY INFORMATION.
PLEASE READ AND KEEP FOR FUTURE REFERENCE.

Table of Contents

Quality Statement	3
Important Safety Information	3
Before Assembly	3
Care & Use	3
Package Contents	4
Product Information	5
Components	5
Tip-Over Prevention Hardware Kit	6
Step 1	7
Step 2	7
Step 3	7
Step 4	8
Assembling 2 Units	8
Tip-Over Prevention Instructions	9
 Warning	10
Warranty Information	10

Quality Statement

Questions or Comments?

We would love to hear about your Member's Mark experience! Visit us at: samsclub.com/membersmarkhelp

Important Safety Information

- *Please read all instructions carefully before assembling this product.*
- *Where applicable, and for your safety, assembly by an adult is strongly recommended.*
- *Use only vendor-supplied hardware to assemble this item. Using unauthorized hardware could jeopardize the structural integrity of the item.*
- *Hardware may loosen overtime. Periodically check that all connections are tight.*

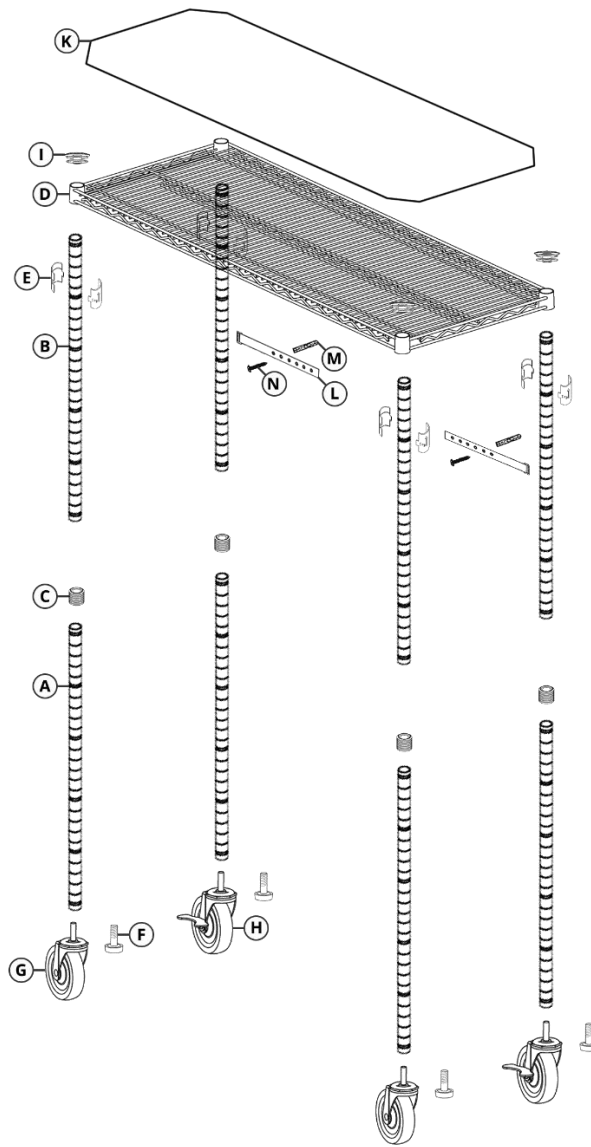
Before Assembly

- *Remove all parts and hardware from the box. Place all items on a carpeted or scratch-free work surface, as this will avoid damaging parts during assembly.*
- *The shipping box can provide an ideal work surface if none is available.*
- *Use the components and hardware lists below to identify, inventory and separate each of the hardware and components included.*
- *To avoid accidentally discarding small components or hardware, do not dispose of any packaging or contents of the shipping carton until assembly is complete.*
- **DO NOT USE** *power tools unless it is explicitly identified in this manual as required for use during assembly. Power tools can damage the fasteners, hardware and/or components.*
- *Do not fully tighten all fasteners / screws until all parts are in place. Failure to follow these instructions may cause the fasteners / screws to misalign during assembly.*

Care & Use

- *Use a soft, clean cloth that will not scratch the surface when cleaning.*

Package Contents



Component	Description	Quantity	Component	Description	Quantity
A	Bottom poles	4	H	Locking wheels	2
B	Top poles	4	I	Caps	4
C	Connectors	4	J	Threaded inserts	4
D	Shelves	6	K	Liners	6
E	Slip sleeves	24	L	Straps	2
F	Leveling feet	4	M	Anchors	4
G	Wheels	2	N	Screws	4


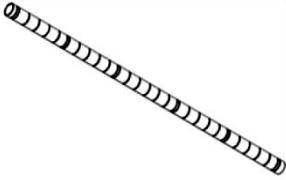

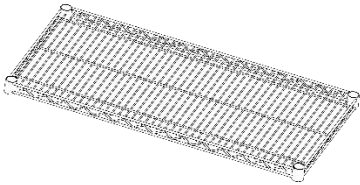
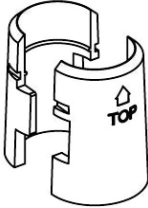
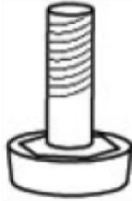




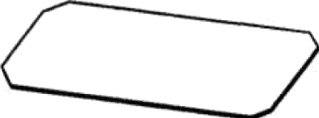
Need Assistance? Visit us at: [samsclub.com/membersmarkhelp](https://www.samsclub.com/membersmarkhelp)

Product Information

Dimensions: 47.75" W x 18" D x 75.5" H (on wheels)

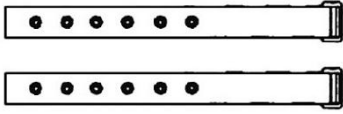
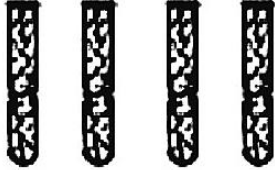

Weight capacity	Per shelf	Overall
On leveling feet	1000 lbs. (453.6 kg.)	6000 lbs. (2721.6 kg.)
On wheels	133.33 lbs. (60.5 kg.)	800 lbs. (362.9 kg.)


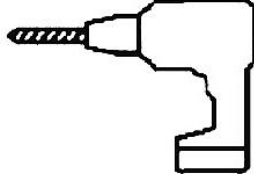
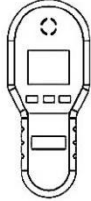
Components

A. Bottom poles (4) (Threaded end)	B. Top poles (4) (Plastic cap on end)	C. Connectors (4) (May be attached to poles)
		
D. Shelves (6)	E. Slip-sleeves (24)	F. Leveling feet (4)
		
G. Wheels (2)	H. Locking wheels (2)	I. Cap (4)
		
J. Threaded insert (4)	K. Liners (6)	
		

Need Assistance? Visit us at: samsclub.com/membersmarkhelp

Tip-Over Prevention Hardware Kit

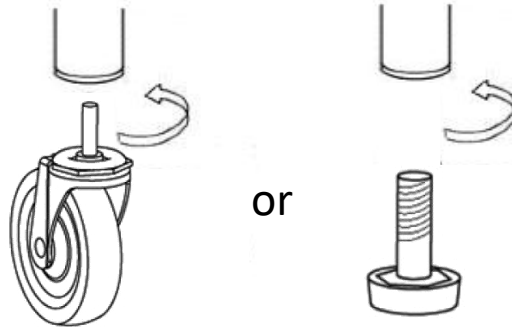
L. Straps (2)	M. Anchors (4)	N. Screws (4)
		

Phillips Screwdriver (Not Included)	Power Drill (Not Included)	Stud Finder (Not included)
		

Need Assistance? Visit us at: [samsclub.com/membersmarkhelp](https://www.samsclub.com/membersmarkhelp)

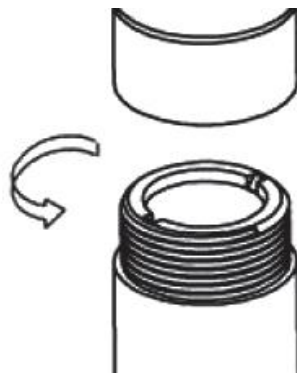
Step 1

Screw **LEVELING FEET (F)** or **WHEELS (G,H)** into base of **BOTTOM POLES (A)**. Repeat for all bottom poles.



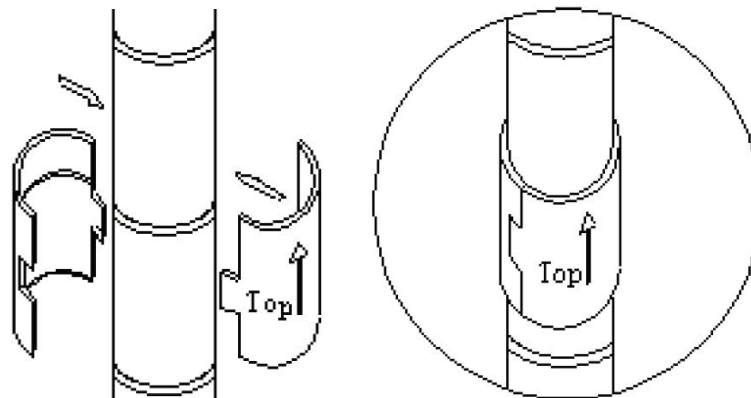
Step 2

Screw **CONNECTORS (C)** into top of **BOTTOM POLES (A)**. Screw **TOP POLES (B)** to **CONNECTORS (C)**. Connectors may be pre-installed.



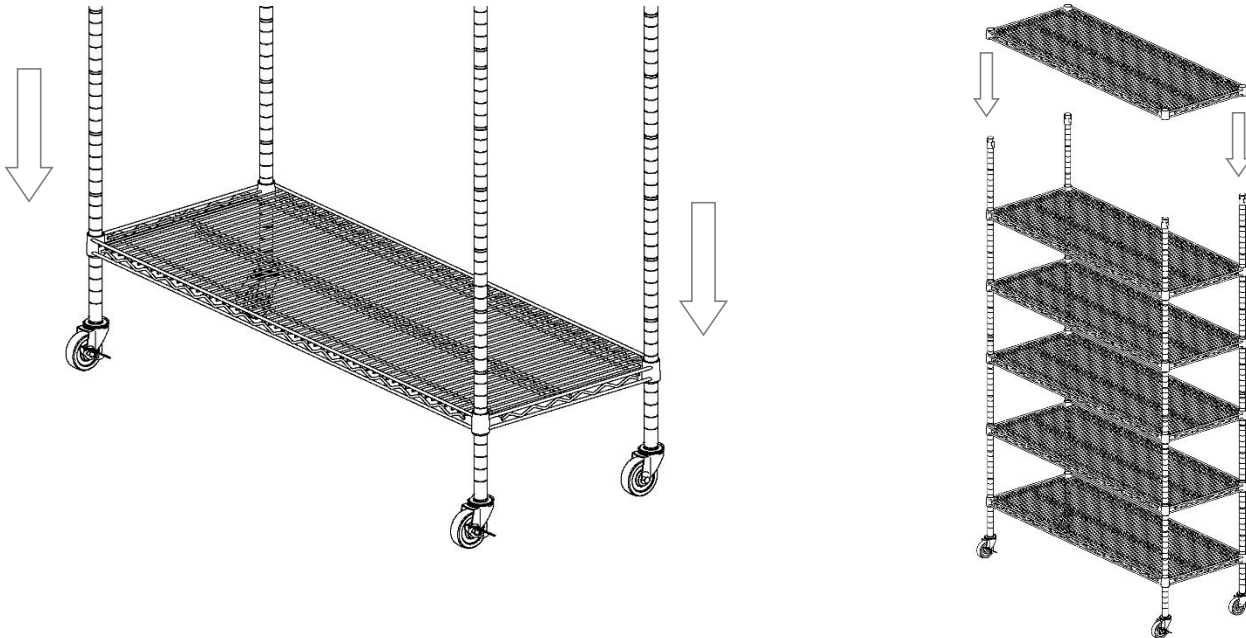
Step 3

Snap **SLIP SLEEVES (E)** around the grooves on **BOTTOM POLES (A)** for the lowest shelf. Count the number of grooves from the bottom to keep the height consistent.



Step 4

Fit **SHELF (D)** over the top of the 4 poles and over **SLIP SLEEVES (E)**.
Repeat STEPS 3-4 for remaining shelves. Place **LINERS (K)** into shelves to finish.



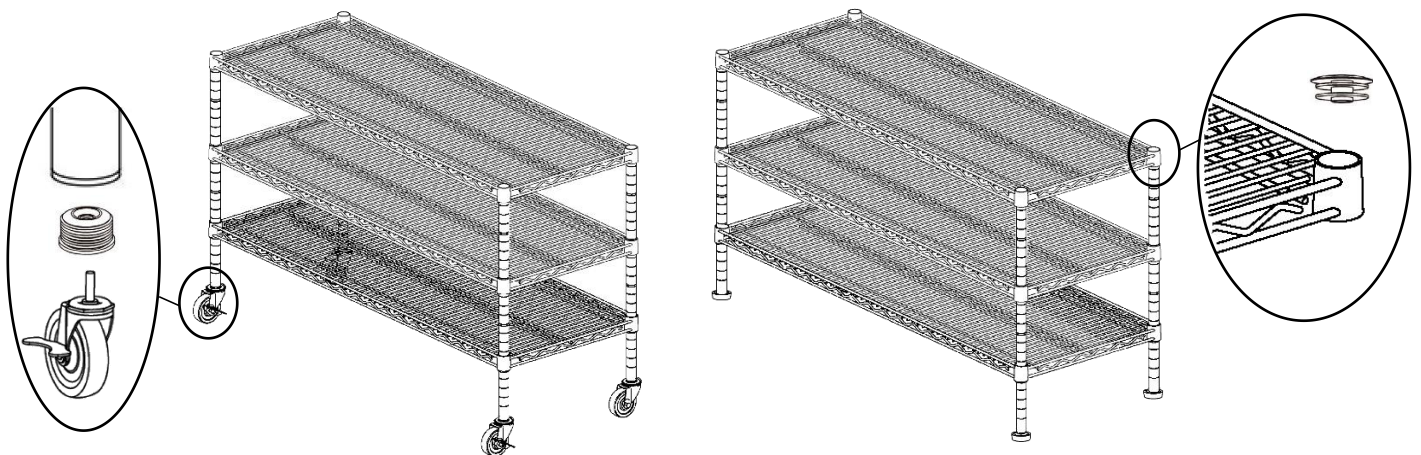
Assembling 2 Units

STEP 1. Screw **THREADED INSERT (J)** into base of **TOP POLES (B)**.

STEP 2. Screw **LEVELING FEET (F)** and **WHEELS (G, H)** into bases of **POLES (A, B)**.

STEP 3. Snap **SLIP SLEEVES (E)** around grooves. Fit **SHELF (D)** over the top of the 4 poles and over **SLIP SLEEVES (E)**.

STEP 4. Insert **CAPS (I)** to top of **BOTTOM POLES (A)**.



Need Assistance? Visit us at: [samsclub.com/membersmarkhelp](https://www.samsclub.com/membersmarkhelp)

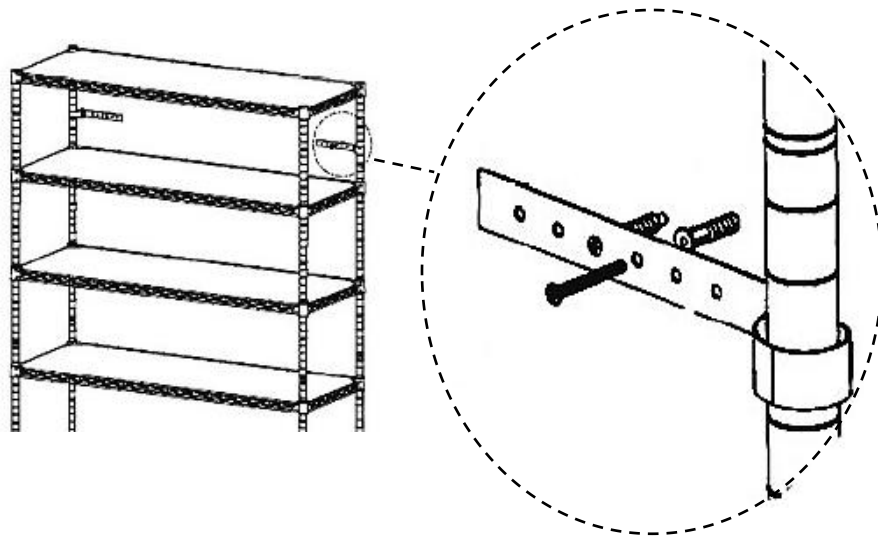
Tip-Over Prevention Instructions

Tip-over prevention hardware kit is recommended per assembly instruction below. Use a stud finder to locate studs when positioning shelving. Secure wall straps to wood studs whenever possible. Avoid water or electric lines when securing shelf to wall.

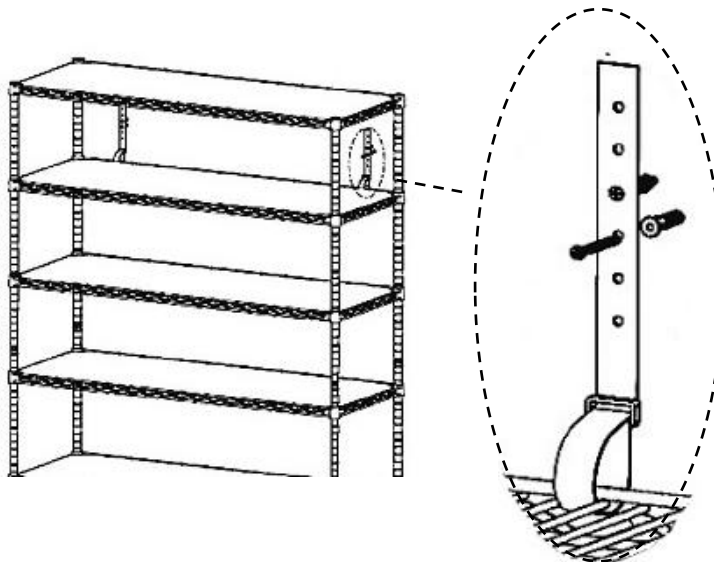
Loop **STRAPS (L)** around rear poles or back of upper shelves. Mark the installation points through the holes in the strap with a pencil.

For Dry Wall: Drill pilot hole into points and insert **ANCHORS (M)**. Attach with **SCREWS (N)**.

For Wood Studs: Use **SCREWS (N)** to attach **STRAPS (L)** to studs.



Horizontal



Vertical

Need Assistance? Visit us at: [samsclub.com/membersmarkhelp](https://www.samsclub.com/membersmarkhelp)



Warning

DO NOT stand on or climb on the rack.

DO NOT drop heavy items on the shelves.

Place heavier items on the lower shelves and lighter ones on the top shelves.

Move the system carefully while loaded.

Always check that the wheels are screwed tight to the poles before moving.

Immediately replace wheels that are worn or damaged.

Warranty Information

Seville Classics shelving is backed by a 10-year limited warranty unless otherwise specified. The warranty protects against original defects in material or workmanship under normal home or office use for the duration of the warranty period. If you have any questions regarding the warranty or spare / replacement parts, please call our toll-free number 1-800- 323-5565 or email us at Support@SevilleClassics.com

NOTE: Please consider recycling all applicable packaging material.

Distributed by Sam's West Inc.
2101 SE Simple Savings Dr.
Bentonville, Arkansas 72716-0745

Made in Vietnam



Need Assistance? Visit us at: [samsclub.com/membersmarkhelp](https://www.samsclub.com/membersmarkhelp)