



Assembly Instructions & User's Manual

for

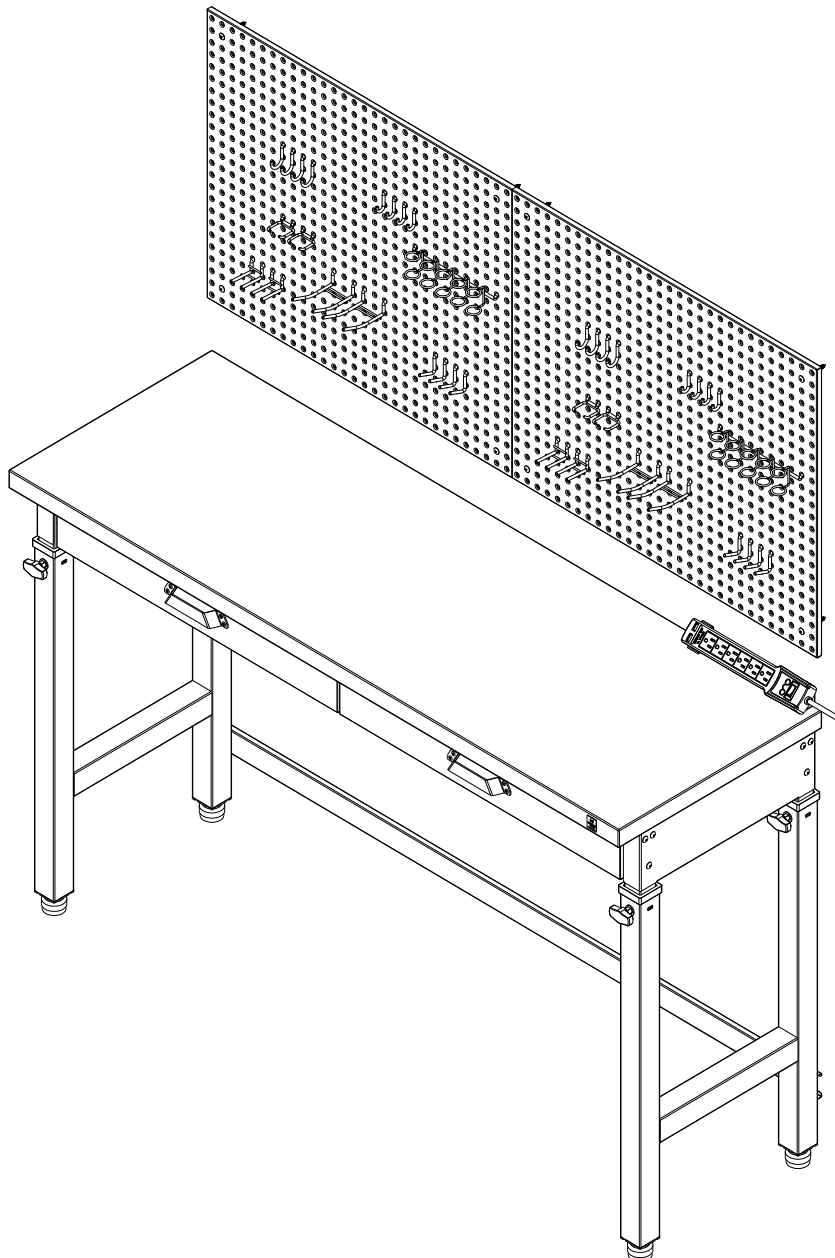
Member's Mark Height Adjustable 2-Drawer Workbench with Pegboard Set

Item Number: 990116651

Model Number: 20802 B



Customer Assistance (spare/replacement parts): 1-(800)323-5565

or Email: Support@SevilleClassics.com



THIS ASSEMBLY MANUAL CONTAINS IMPORTANT SAFETY INFORMATION.
PLEASE READ AND KEEP FOR FUTURE REFERENCE.

▪ Table of Contents

Quality Statement.....	3
Important Safety Information.....	3
Before Assembly.....	3
Care & Use.....	3
Package Contents.....	4
Package Contents.....	5
Product Information.....	5
Components.....	5
Components.....	6
Components.....	7
Hardware.....	7
Tools.....	7
Step 1 – Step 3.....	8
Step 4 – Step 6.....	9
Step 7	10
Step 8.....	11
Step 9 – Step 10.....	12
 Caution.....	13
 Danger.....	13
Troubleshooting.....	13
Care & Use and Storage Instructions.....	13
Warranty Information.....	13

▪ **Quality Statement**

Questions or Comments?

We would love to hear about your Member's Mark experience! Visit us at:
samsclub.com/membersmarkhelp

▪ **Important Safety Information**

- *Please read all instructions carefully before assembling this product.*
- *Where applicable, and for your safety, assembly by TWO adults is strongly recommended.*
- *Use only vendor-supplied hardware to assemble this item. Using unauthorized hardware could jeopardize the structural integrity of the item.*
- *Hardware may loosen overtime. Periodically check that all connections are tight.*

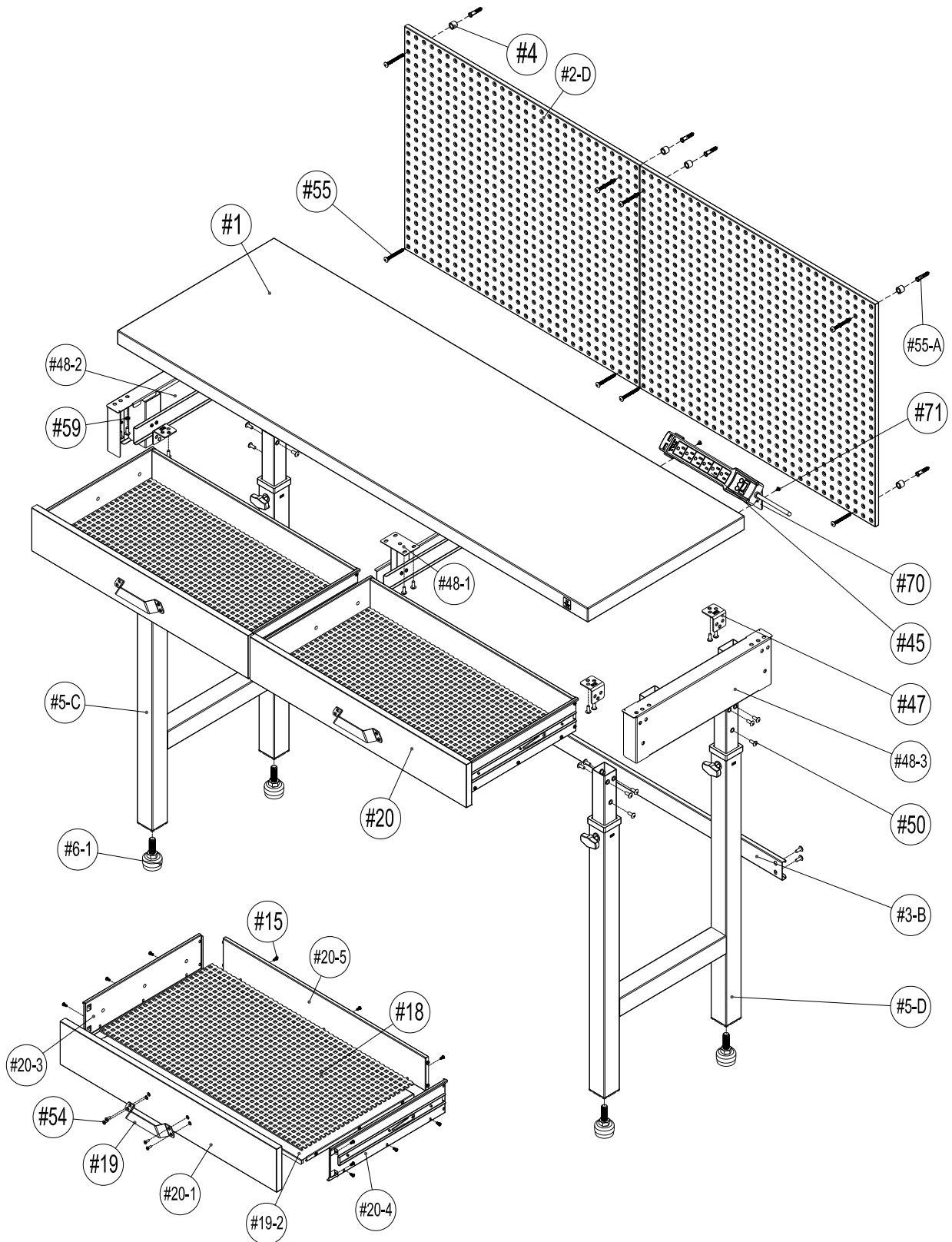
▪ **Before Assembly**

- *Remove all parts and hardware from the box. Place all items on a carpeted or scratch-free work surface, as this will avoid damaging parts during assembly.*
- *The shipping box can provide an ideal work surface if none is available.*
- *Use the components and hardware lists below to identify, inventory and separate each of the hardware and components included.*
- *To avoid accidentally discarding small components or hardware, do not dispose of any packaging or contents of the shipping carton until assembly is complete.*
- ***DO NOT USE*** *power tools unless it is explicitly identified in this manual as required for use during assembly. Power tools can damage the fasteners, hardware and/or components.*
- *Do not fully tighten all fasteners / screws until all parts are in place. Failure to follow these instructions may cause the fasteners / screws to misalign during assembly.*

▪ **Care & Use**

- *If the wood top becomes scratched and chipped over time or during assembly, a Polyurethane finish can be applied to help restore the wood's natural texture, as well as protect the surface from future damage. When applying a Polyurethane coating, please follow the manufacturer's instruction on the product for application.*

▪ Package Contents



▪ **Contents**

Component	Description	Quantity (pcs)	Component	Description	Quantity (pcs)
(#1)	SOLID HARDWOOD BOARD TOP	1	(#20-3)	SMALL DRAWER LEFT PANEL	2
(#3-B)	BOTTOM CROSSBAR	1	(#20-4)	SMALL DRAWER RIGHT PANEL	2
(#5-C)	LEFT LEG PIECE	1	(#20-5)	SMALL DRAWER BACK PANEL	2
(#5-D)	RIGHT LEG PIECE	1	(#19)	HANDLE	2
(#48-1)	SMALL DRAWER MIDDLE SUPPORT	1	(#18)	DRAWER MAT	2
(#48-2)	SMALL DRAWER LEFT SUPPORT	1	(#2-D)	PEGBOARD PANEL	2
(#48-3)	SMALL DRAWER RIGHT SUPPORT	1	(#4)	SPACER	8
(#47)	"L" BRACKET	4	(#6-1)	LEVELING FEET	4
(#20-1)	SMALL DRAWER FRONT PANEL	2	(#45)	POWER STRIP WITH USB PORTS	1
(#19-2)	DRAWER BASE PANEL	2	(#70)	POWER STRIP BRACKET	1

▪ **Product Information**

Product Dimensions :

Workbench - 60" W x 20" D x 37.5" ~ 41.5"H (152.4 cm x 50.8cm x 95.3~105.4cm)

Pegboard (set of 2): 30" W x 24" H each (76.2 cm x 61 cm each)

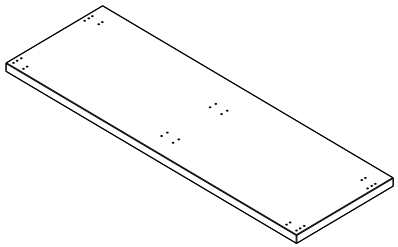
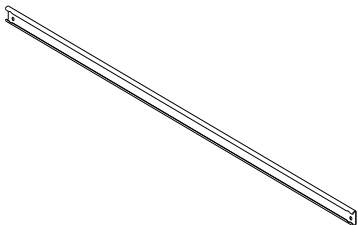
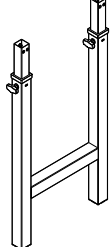
Product Total Weight Capacity: 1200 lbs. (544.3 kg) evenly distributed as listed below

Workbench: 940 lbs. (426.4kg)

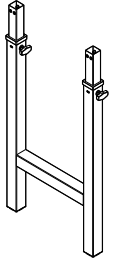
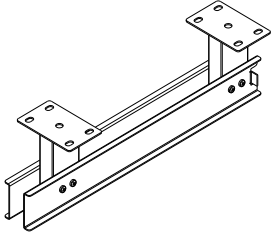
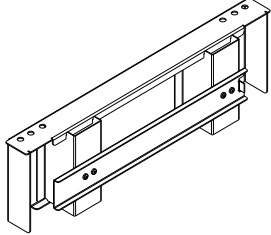
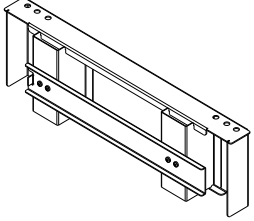
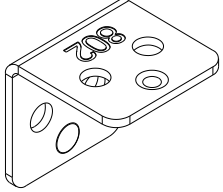
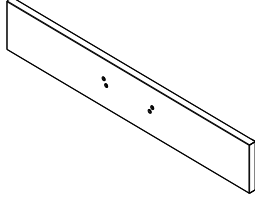
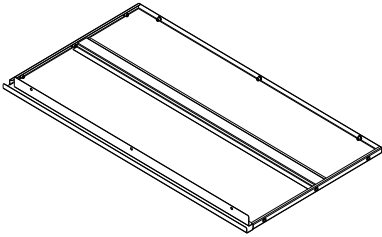
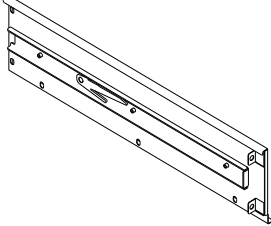
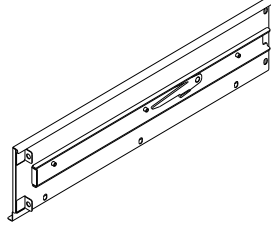
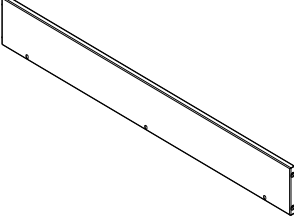
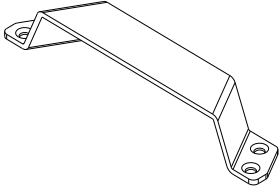
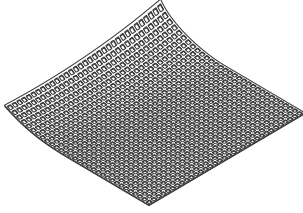
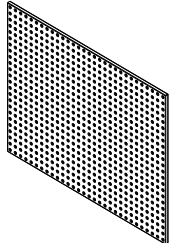
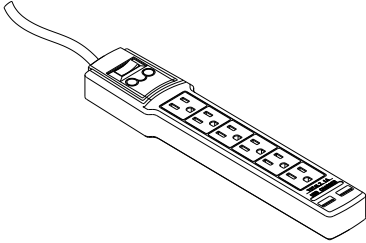
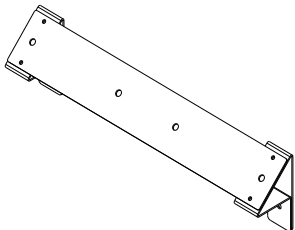
Drawer (each): 30 lbs. (13.6 kg)

Pegboards: 200 lbs. (91kg)

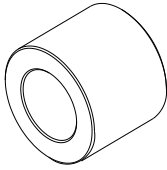
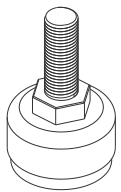
▪ **Components**

SOLID HARDWOOD BOARD TOP Part No. (#1) Qty : 1 pc	BOTTOM CROSSBAR Part No. (#3-B) Qty : 1 pc	LEFT LEG PIECE Part No. (#5-C) Qty : 1 pc
		

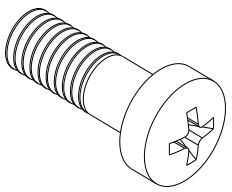
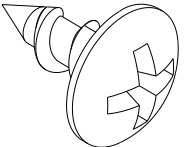
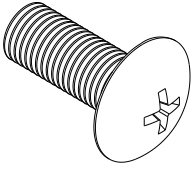
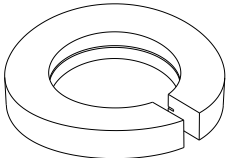
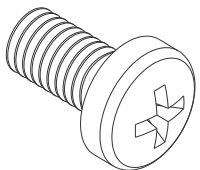
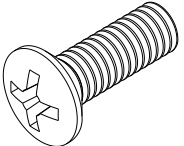
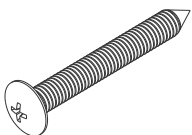
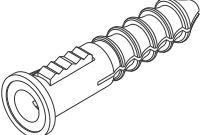
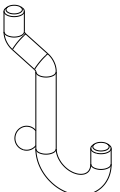
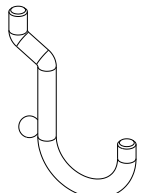
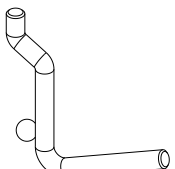
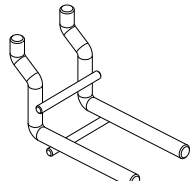
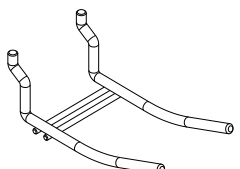
Components

<p>RIGHT LEG PIECE Part No.(#5-D) Qty : 1 pc</p>	<p>SMALL DRAWER MIDDLE SUPPORT Part No.(#48-1) Qty : 1 pc</p>	<p>SMALL DRAWER LEFT SUPPORT Part No. (#48-2) Qty : 1 pc</p>
		
<p>SMALL DRAWER RIGHT SUPPORT Part No. (#48-3) Qty : 1 pc</p>	<p>"L" BRACKET Part No. (#47) Qty : 4 pcs</p>	<p>SMALL DRAWER FRONT PANEL Part No. (#20-1) Qty : 2 pcs</p>
		
<p>DRAWER BASE PANEL Part No. (#19-2) Qty : 2 pcs</p>	<p>SMALL DRAWER LEFT PANEL Part No. (#20-3) Qty : 2 pcs</p>	<p>SMALL DRAWER RIGHT PANEL Part No. (#20-4) Qty : 2 pcs</p>
		
<p>SMALL DRAWER BACK PANEL Part No. (#20-5) Qty : 2 pcs</p>	<p>HANDLE Part No. (#19) Qty : 2 pcs</p>	<p>DRAWER MAT Part No. (#18) Qty : 2 pcs</p>
		
<p>PEGBOARD PANEL Part No. (#2-D) Qty : 2 pcs</p>	<p>POWER STRIP WITH USB PORTS Part No.(#45) Qty : 1 pc</p>	<p>POWER STRIP BRACKET Part No.(#70) Qty : 1 pc</p>
		

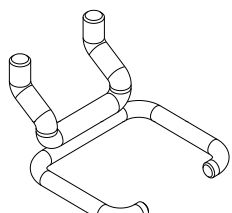
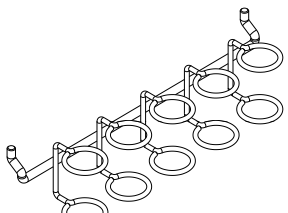
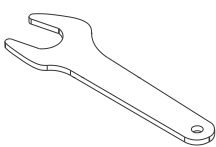
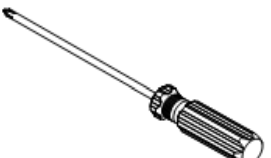
▪ Components

SPACER Part No. (#4) Qty : 8 pcs	LEVELING FEET Part No. (#6-1) Qty : 4 pcs
	

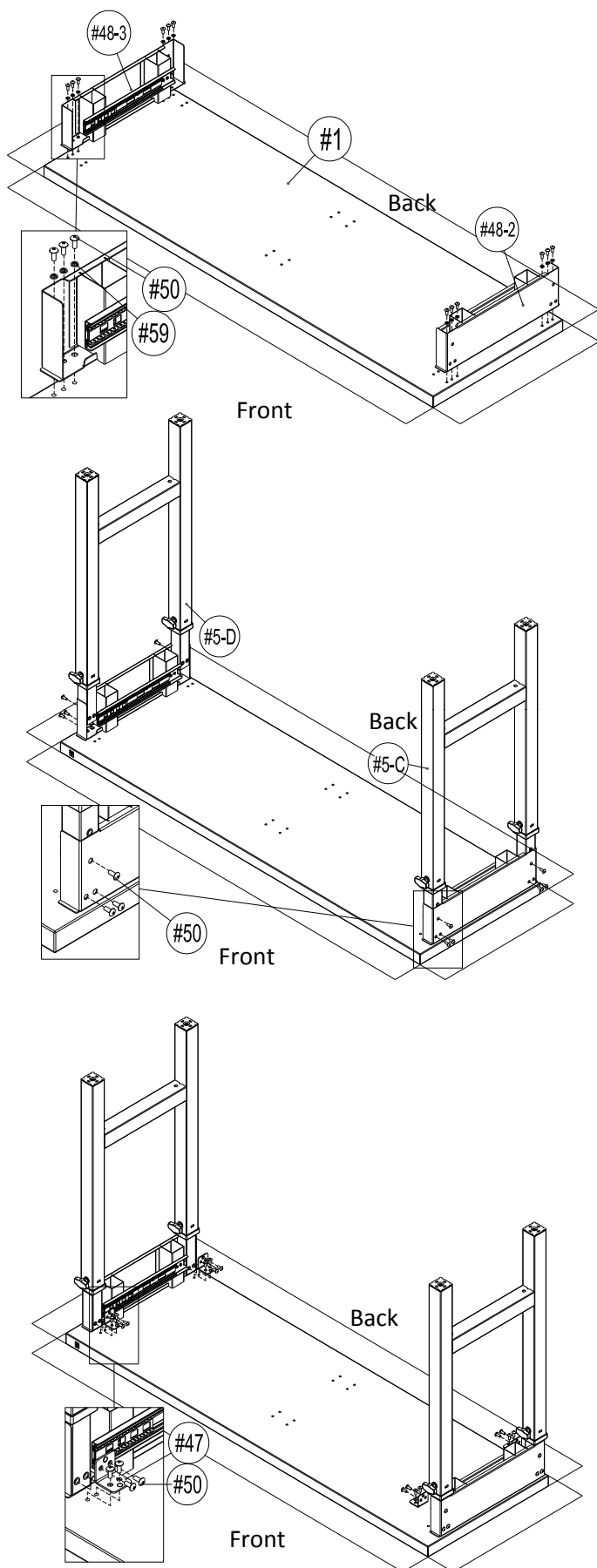
▪ Hardware

MACHINE SCREW J Part No.(#51) Qty: 2 pcs	SCREW R (M4 x 10L) Part No.(#71) Qty : 2 pcs	SCREW I (M6 x 15L) Part No.(#50) Qty : 52 pcs	M6 LOCK WASHER Part No.(#59) Qty: 12 pcs	
				
SCREW B (M4 x 8L) Part No.(#15) Qty: 40 pcs	SCREW N (M4 x 10L) Part No.(#54) Qty : 8 pcs	SCREW M (M6 x 50L) Part No.(#55) Qty : 8 pcs	WALL ANCHOR Part No.(#55-A) Qty: 8 pcs	
				
1/2" CURVED J-HOOK Part No.(#100) Qty: 8 pcs	1" CUREVED J-HOOK Part No.(#101) Qty : 8 pcs	1.5" STRAIGHT HOOK Part No.(#103) Qty : 16 pcs	2" DOUBLE STRAIGHT HOOK Part No.(#104) Qty: 4 pcs	4" DOUBLE CURVED HOOK Part No.(#105) Qty: 4 pcs
				

▪ Tools

2" PLIER HOLDER Part No. (#106) Qty: 4 pcs	2" MULTI-TOOL HOLDER Part No. (#107) Qty : 2 pcs	WRENCH Part No.(#25) Qty: 1 pc	SCREW DRIVER Part No.(#21) Qty : 1 pc
			

Step 1 – Step 3



Open the package and make sure you have all the parts. Put them aside then open the package of the Solid Hardwood Top (#1) as the left photo shows.

Step 1: Install (#48-2) Small Drawer Left Support and (#48-3) Small Drawer Right Support

Attach the (#48-2) Small Drawer Left Support to the bottom of the (#1) Solid Hardwood Board, line up the screw holes, use 12pcs of (#50) Screw I and 12pcs of (#59) M6 Lock Washer to tighten.

Repeat this step to install the (#48-3) Small Drawer Right Support.

Note: Do not fully tighten any of the screws until all screws are partially screwed in first. This will help you make any adjustments for alignment.

Step 2: Install (#5-C) Left Leg Piece and (#5-D) Right Leg Piece

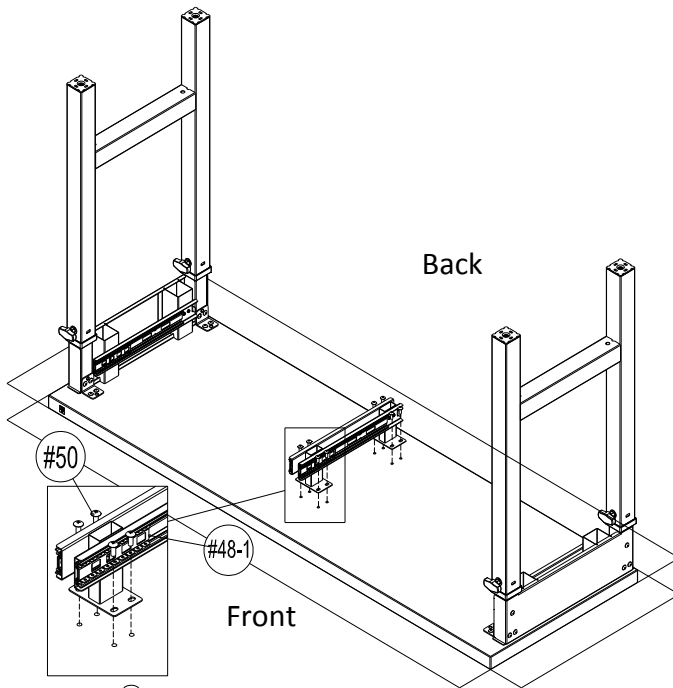
Attach the (#5-C) Left Leg Piece and (#5-D) Right Leg Piece to the Small Drawer Left & Right Support, line up the screw holes then use 12pcs of (#50) Screw I to tighten.

Note: Pay attention to the direction of the Left and Right Leg Piece, the screw knobs on the legs face out to the FRONT.

Step 3: Install (#47) "L" Bracket

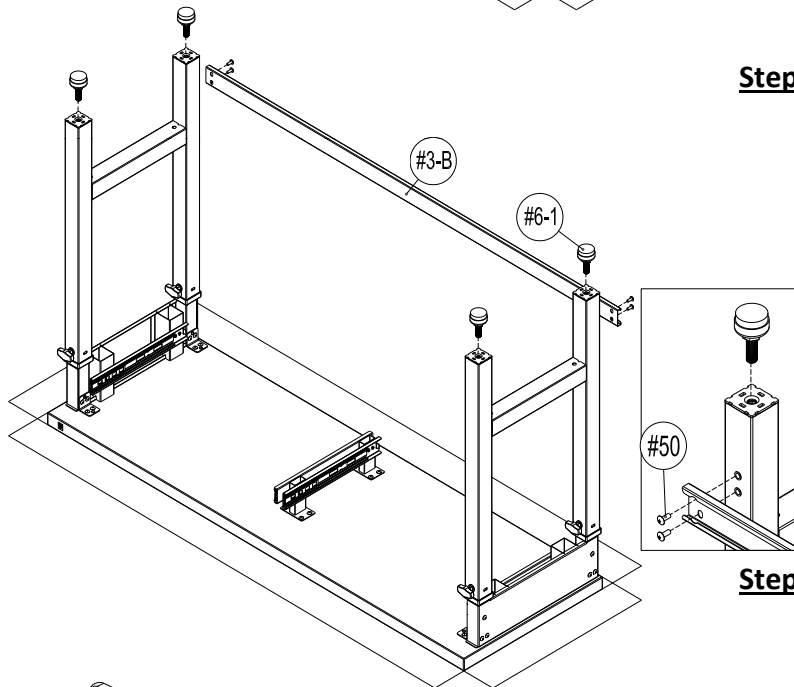
Attach the (#47) "L" Bracket to Leg Piece and Solid Hardwood Top (#1), line up the screw holes, use 16pcs of (#50) Screw I to tighten.

• **Step 4 – Step 6**



Step 4: Install (#48-1) Small Drawer Middle Support

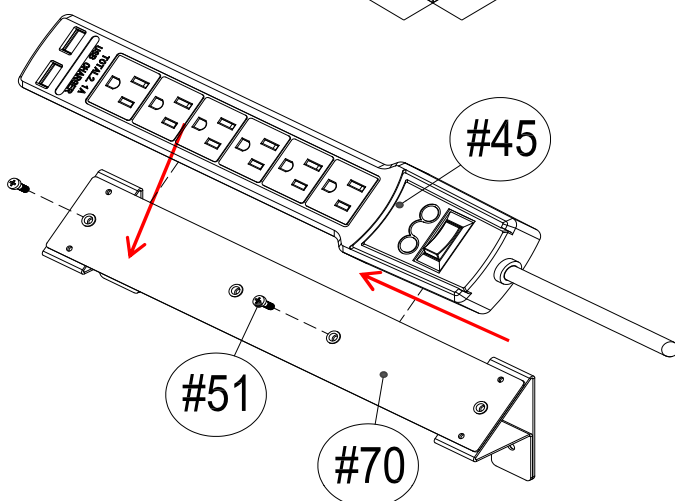
Attach the **(#48-1) Small Drawer Middle Support** to the **(#1) Solid Hardwood Board**, line up the screw holes, use 8 pcs of **(#50) Screw I** to tighten.



Step 5: Install (#3-B) Bottom Crossbar / (#6-1) Leveling Feet

Attach the **(#3-B) Bottom Crossbar** to the back of **(#5) Leg Piece**, line up the screw holes, use 4 pcs of **(#50) Screw I** to tighten.

Attach 4 pcs of **(#6-1) Leveling Feet** to **(#5) Leg Pieces**, use **Wrench (#25)** to tighten.

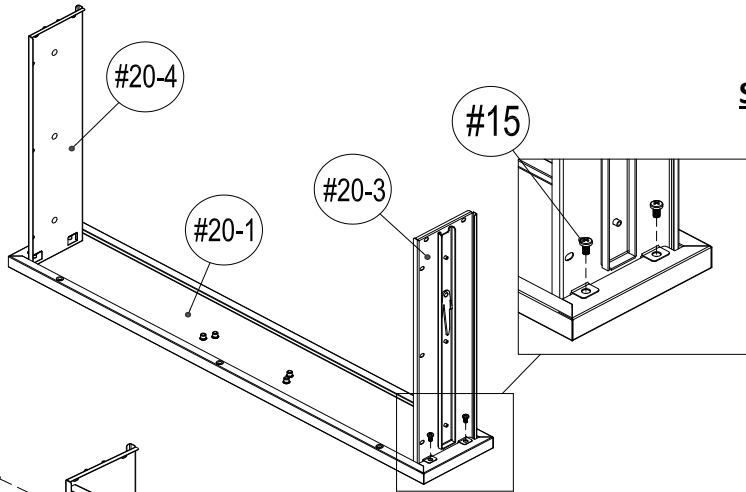


Step 6: Install (#45) Power Strip on the (#70) Power Strip Bracket

Attach 2 pcs of **Screw J (#51)** to the **(#70) Power Strip Bracket** then tighten. Line up the holes on the back of the **(#45) Power Strip** to the bracket, install it on the **(#70) Power Strip Bracket**, push down then push left, then push left to fasten.

Note: The left and right directions of Power Strip can be interchangeable. Just tighten screws on the other two holes. Push it in opposite direction to fasten after installing Power Strip.

• **Step 7**

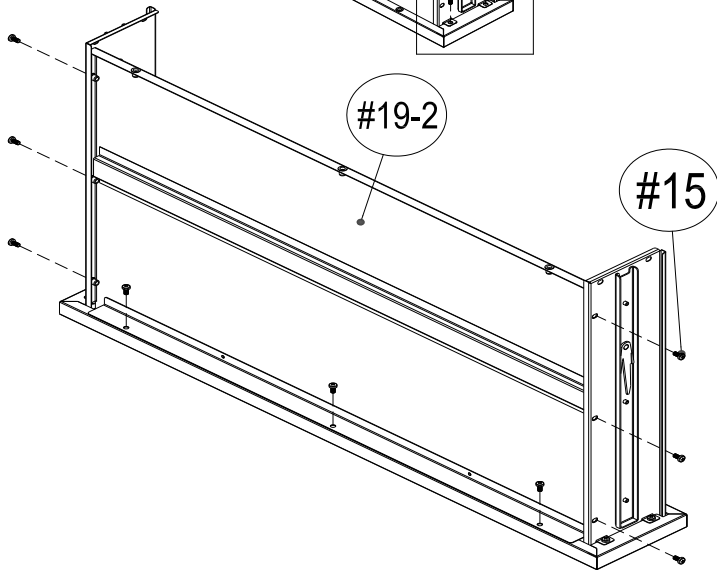


Step 7: Install (#20) Drawer

(1). Install (#20-1) Drawer Front Panel, (#20-3 & #20-4) Left & Right Drawer Side Panels.

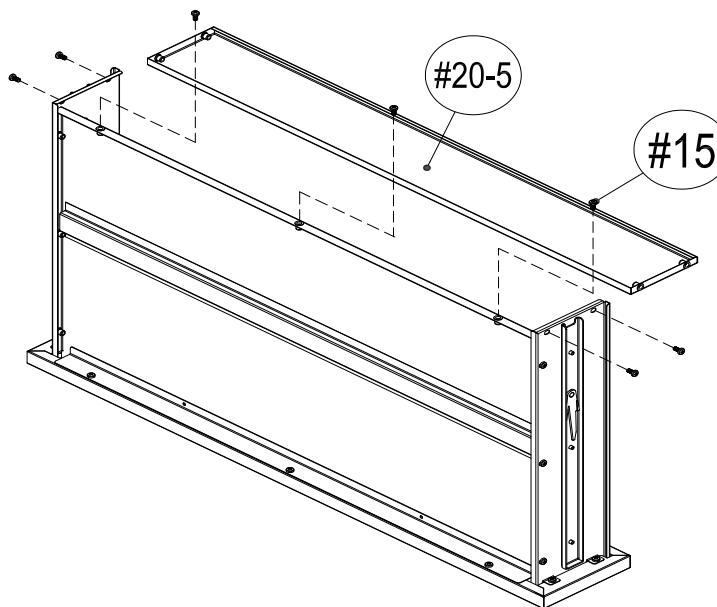
Attach **(#20-3 & #20-4) Left & Right Drawer Side Panels** to the **(#20-1) Drawer Front Panel**. Line up the screw holes then use 4 pcs of **(#15) Screw B** to tighten.

Note: Do not fully tighten any of the screws until all screws are partially screwed in first. This will help you make any adjustments for alignment.



(2). Install (#19-2) Drawer Base Panel

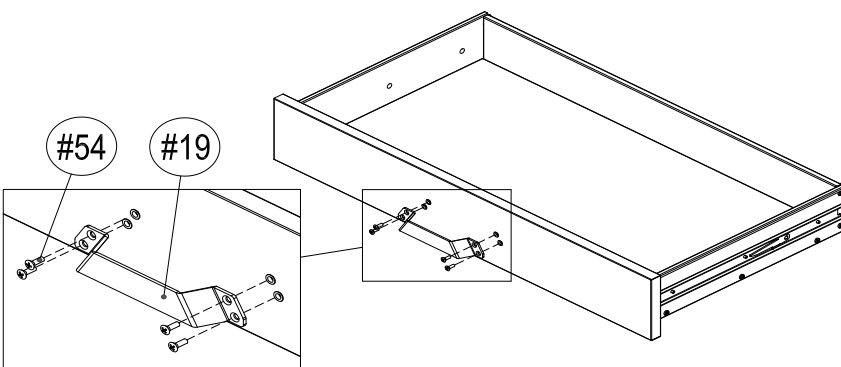
Attach **(#19-2) Drawer Base Panel** to **(#20-3 & #20-4) Left & Right Drawer Side Panels** and **(#20-1) Drawer Front Panel**. Line up the screw holes and use 9 pcs of **(#15) Screw B** to tighten.



(3). Install (#20-5) Drawer Back Panel

Attach **(#20-5) Drawer Back Panel** to the **(#20-3 & #20-4) Left & Right Drawer Side Panels** and **(#19-2) Drawer Base Panel**. Line up the screw holes then use 7 pcs of **(#15) Screw B** to tighten.

Note: Once you adjust all the parts in position, tighten all screws.



(4). Install (#19) Drawer Handle

Attach **(#19) Drawer Handle** to the **(#20-1) Drawer Front Panel**. Line up the screw holes then use 4 pcs of **(#54) Screw N** to tighten.

Repeat above steps to assemble 2nd drawer.

• Step 8

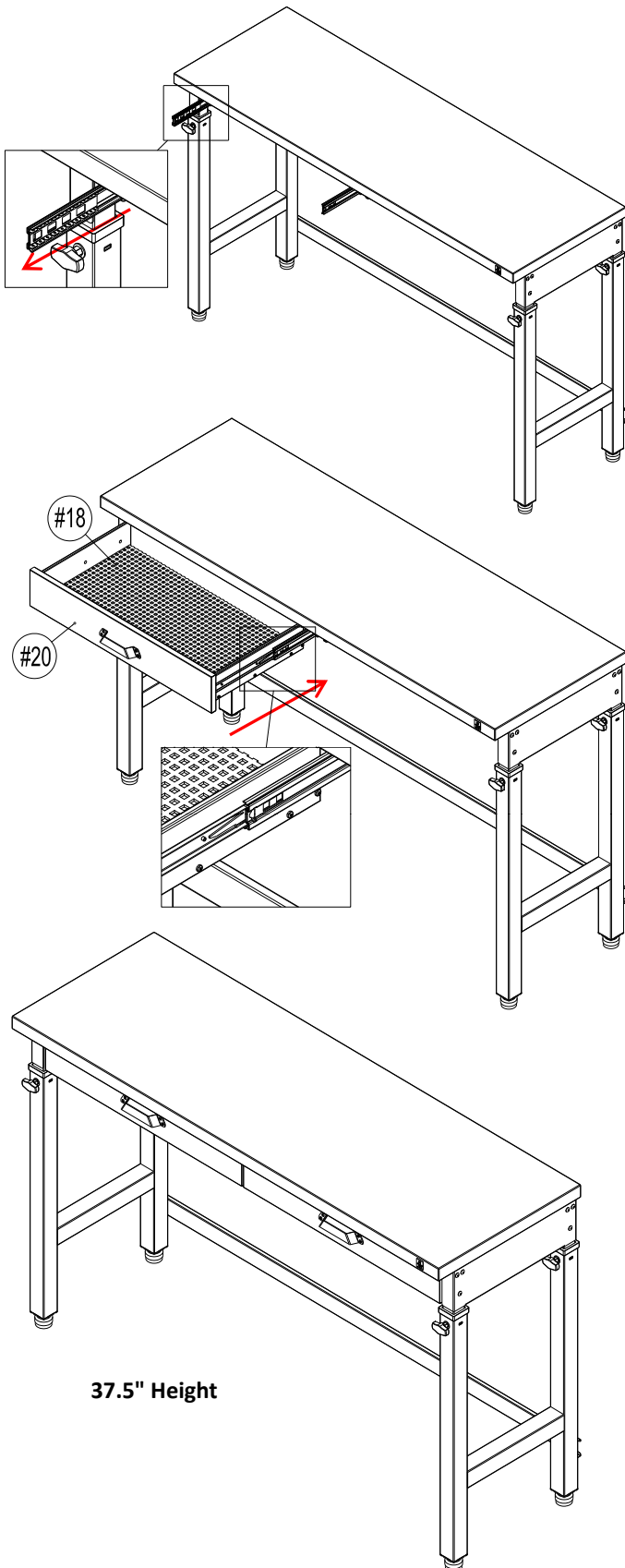
Step 8: Insert (#20) Drawer

(1). Pull out the **drawer sliders** to full length and move the ball holder of the slide to the front.

(2). Attach and fit the Drawer to the inner track of the sliders then slide drawers in slowly.

(3). Insert **(#18) Drawer Mats** inside of drawer flatly.

Repeat above steps for the 2nd drawer.



37.5" Height

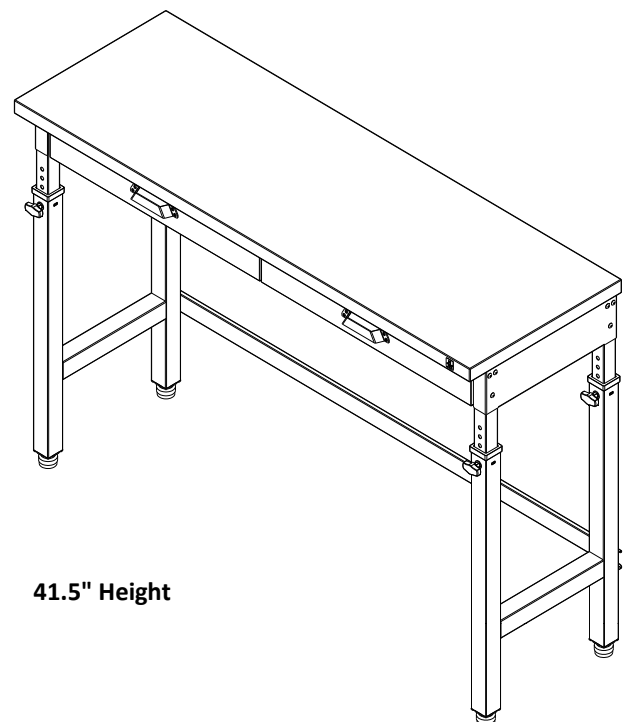
Note:

Minimum height of workbench : 37.5"

Maximum height of workbench : 41.5"

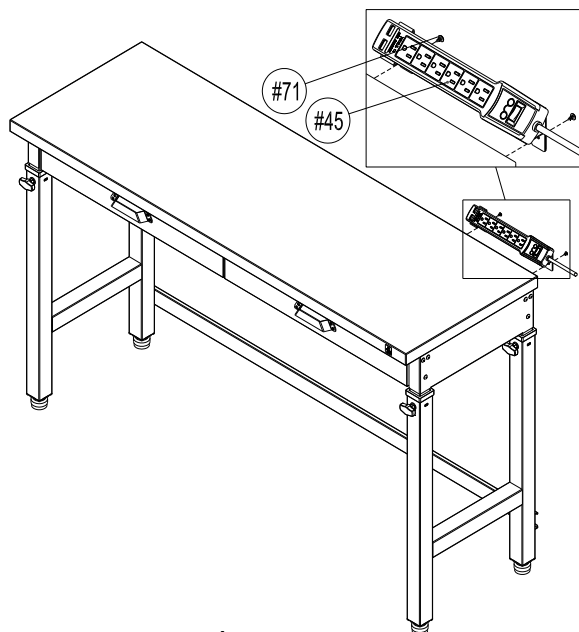
Each adjusted hole spacing is: 1"

When adjusting the height, we recommend placing workbench upside down. Remove the leg screw knobs, raise or lower the legs according to your needs then insert screw knobs and tighten.



41.5" Height

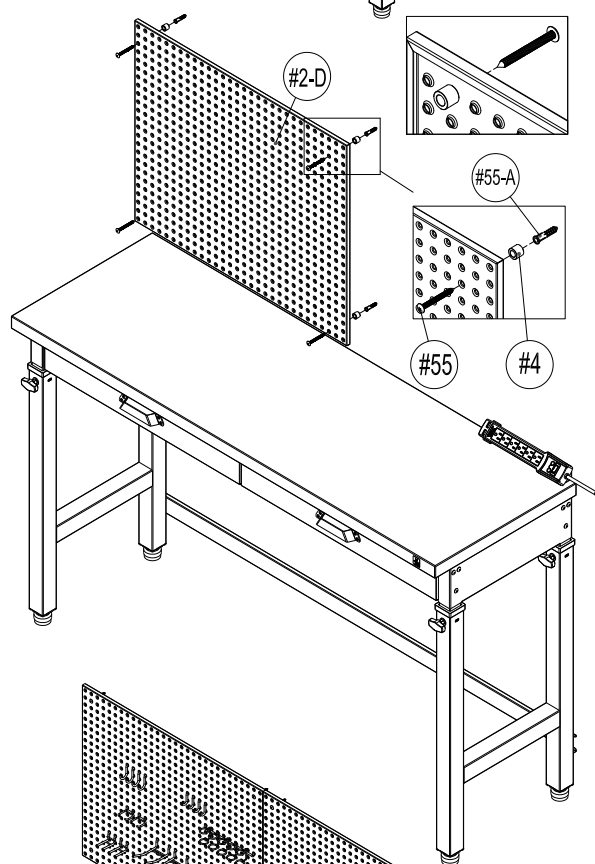
• Step 9 – Step 10



Step 9: Install (#45) Power Strip

Attach **(#70) Power Strip Bracket** to the Solid Hardwood Top, choose the proper position, use 2 pcs of **(#71) Screw R** to tighten.

Note: Adjust the workbench to the desired height before installing the Power Strip.



Step 10: Install (#2-D) Pegboard Panel

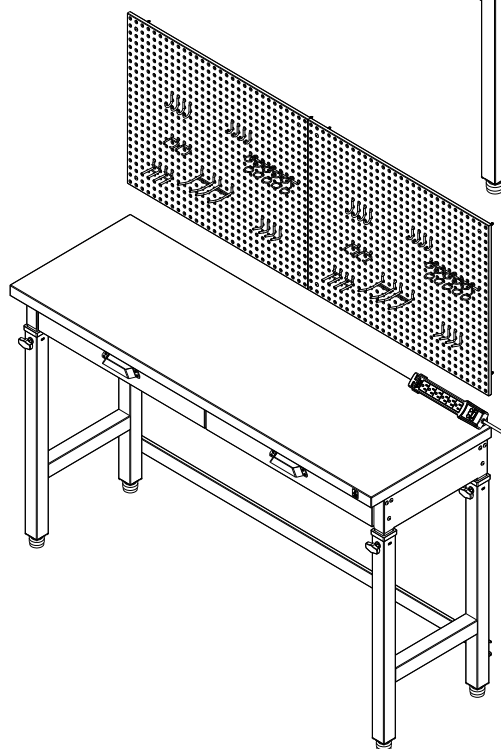
(1). Install the **(#2-D) Pegboard Panel** according to the height of workbench.

(2). Attach the **(#2-D) Pegboard Panel** on the edge of workbench, mark four holes that need to be drilled on the wall, then put in 4 pcs of **(#55-A) Wall Anchor**.

(3). Remove the protective liner from the double-sided tape of the 4 pcs of **(#4) Spacers**, stick it to the selected hole on the back of the Pegboard Panel, then use 4 pcs of **(#55) Screws M** to tighten.

(4). Repeat the above steps to install another Pegboard Panel in the same way.

(5). Place **(#100), (#101), (#103), (#104), (#105), (#106), (#107) Hooks** to Pegboard as you desire.



-  **Warning**

Do not stand on the workbench.
Do not move the workbench while loaded.

-  **Caution**

Recommend using **TWO** people to assemble the workbench.

- **Troubleshooting**

Problem	Possible Cause	Prevention / Solution
Not level	Surface not level	Adjust leveling feet
Drawer does not align	Screws not adjusted	Loosen screws partially, make adjustments by moving up/down/left/right, then tighten screws.

- **Care & Use Instructions**

Care & Use	If the wood top becomes scratched and chipped over time or during assembly, a Polyurethane finish can be applied to help restore the wood's natural texture, as well as protect the surface from future damage. When applying a Polyurethane coating, please follow the manufacturer's instruction on the product for application.
	Use a soft, clean cloth that will not scratch the surface when cleaning.

- **Storage Instructions**

Do not store this unit where there is excessive humidity, direct abrasion or exposure to the natural elements.

- **Warranty Information**

This product is covered by the Sam's Club Member Satisfaction Guarantee. Please visit samsclub.com for more information.

This product's components have a 1-year guarantee against defects in material and/or workmanship. If you have any questions regarding the warranty or spare / replacement parts, please call our toll-free number **1 (800) 323-5565** or email us at **Support@SevilleClassics.com**.

NOTE: Please consider recycling all applicable packaging material.

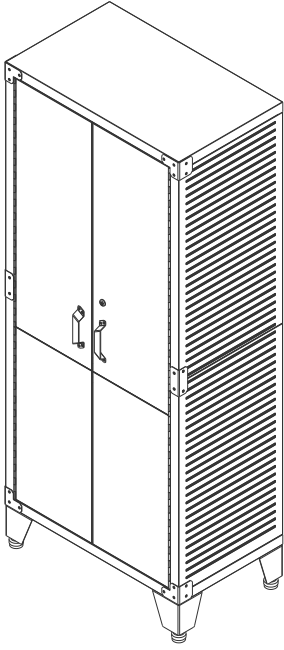
Distributed by Sam's West Inc.
2101 SE Simple Savings Dr.
Bentonville, Arkansas 72716-0745

Made in Taiwan

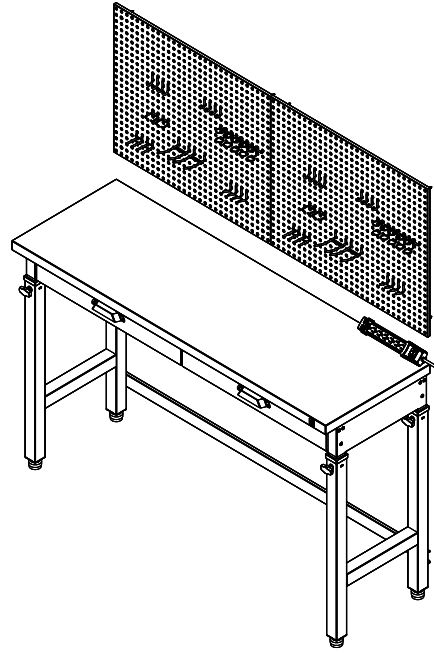


Need Assistance? Visit us at: [samsclub.com/membersmarkhelp](https://www.samsclub.com/membersmarkhelp)

Member's Mark Line

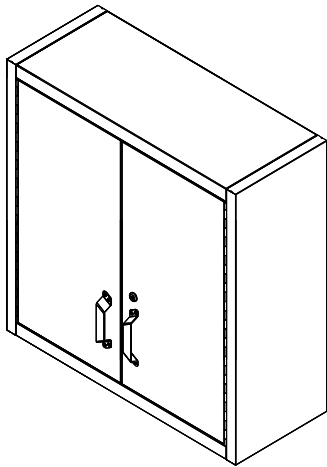


20801B, 2-Door Tall Storage Cabinet
30" W x 18" D x 72" H

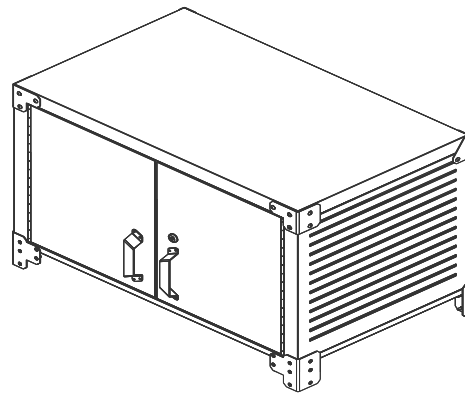


20802B, Height Adjustable 2-Drawer Workbench
60" W x 20" D x 37.5"~ 41.5" H

Pegboard Set of 2
30" W x 24" H (each)



20805B, 2-Door Wall Cabinet
30" W x 12" D x 30" H



20806B, Cabinet Stacker
30" W x 18" D x 18.5"

Member's Mark Collection

