



ASSEMBLY INSTRUCTIONS

UltraHD Rolling Cabinet (Model No. 20185)

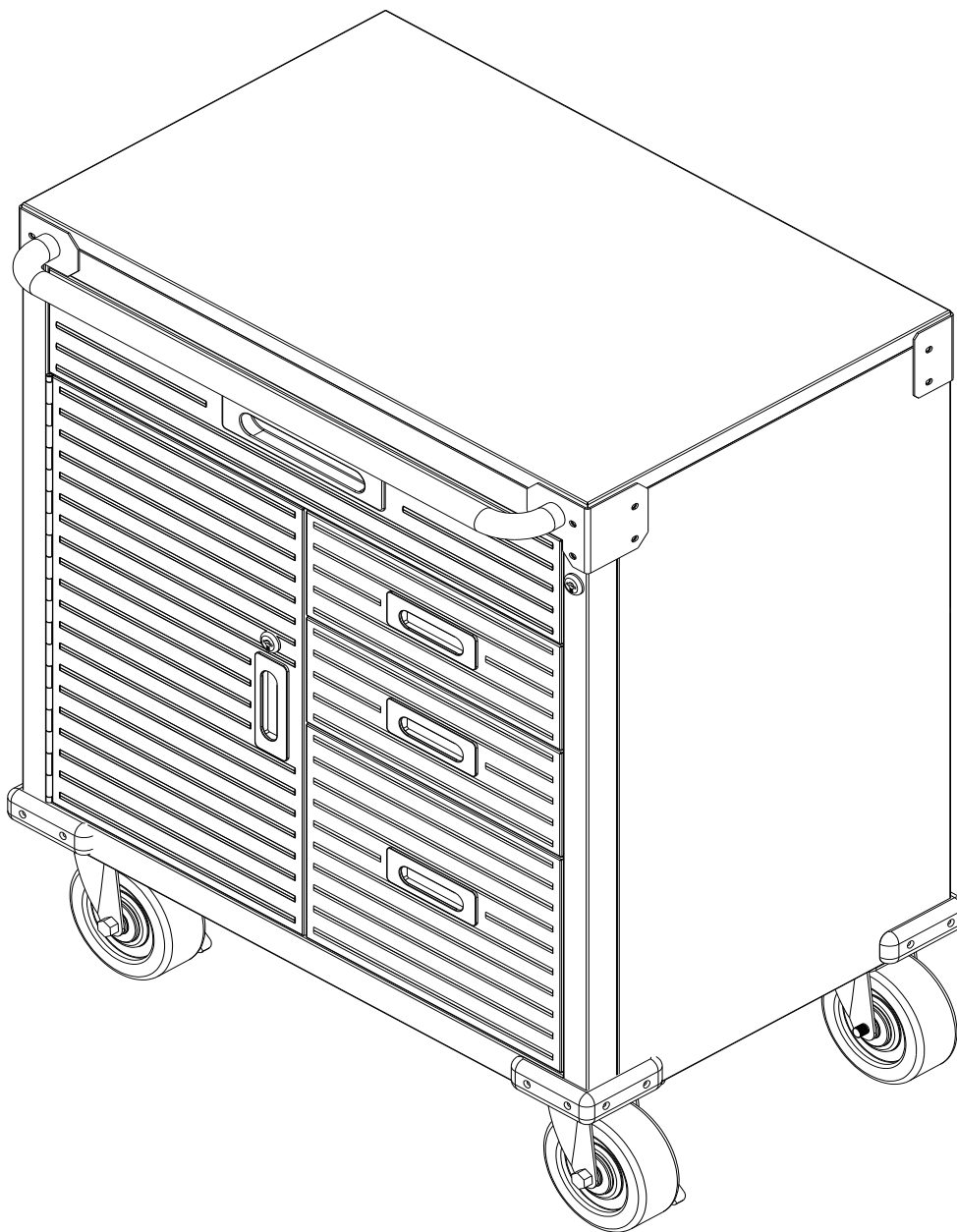
Granite

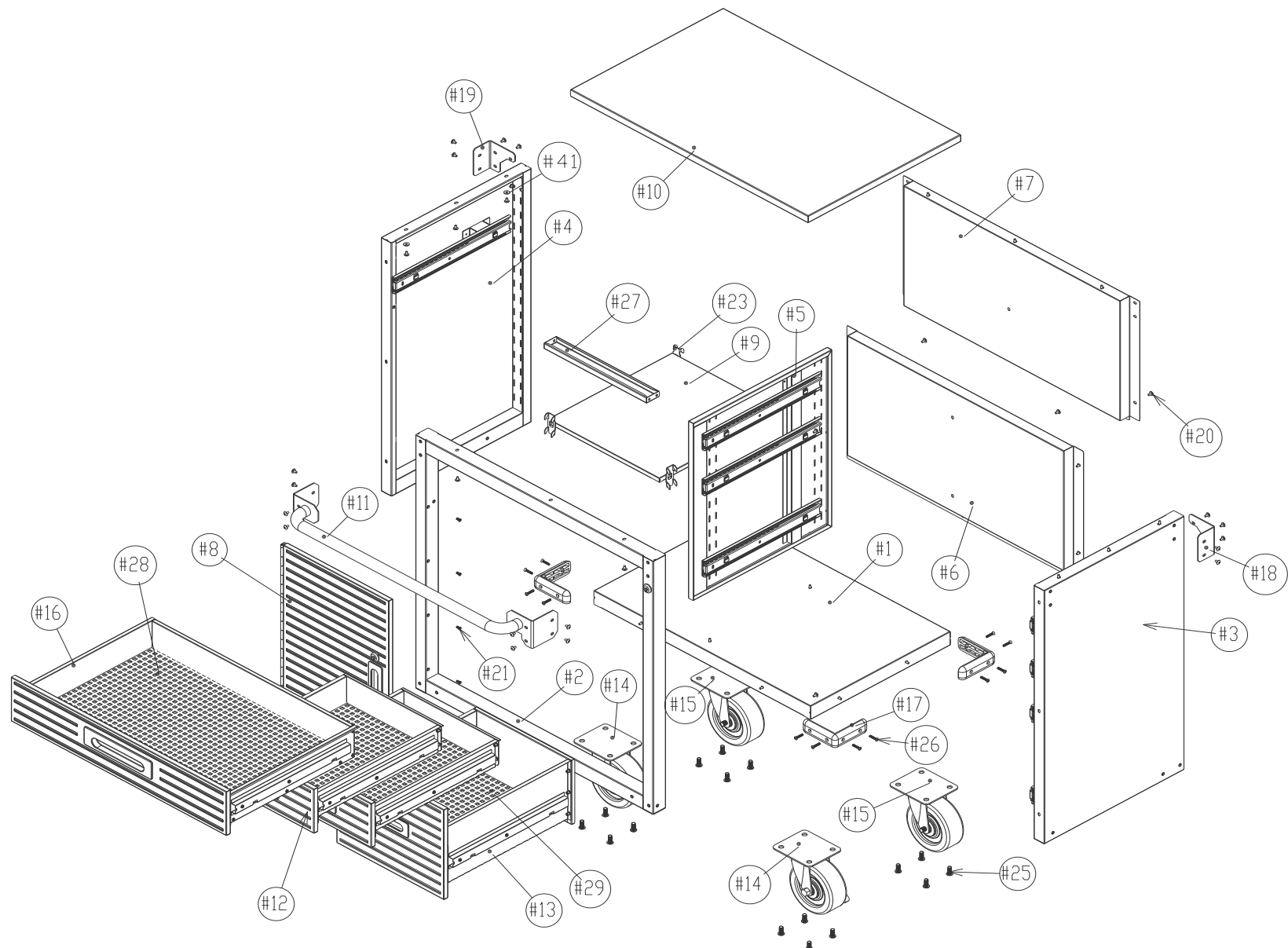
28in. W x 25in. D x 34.5in. H
(71.1cm x 63.5cm x 87.6cm)

ULTRAGUARD®

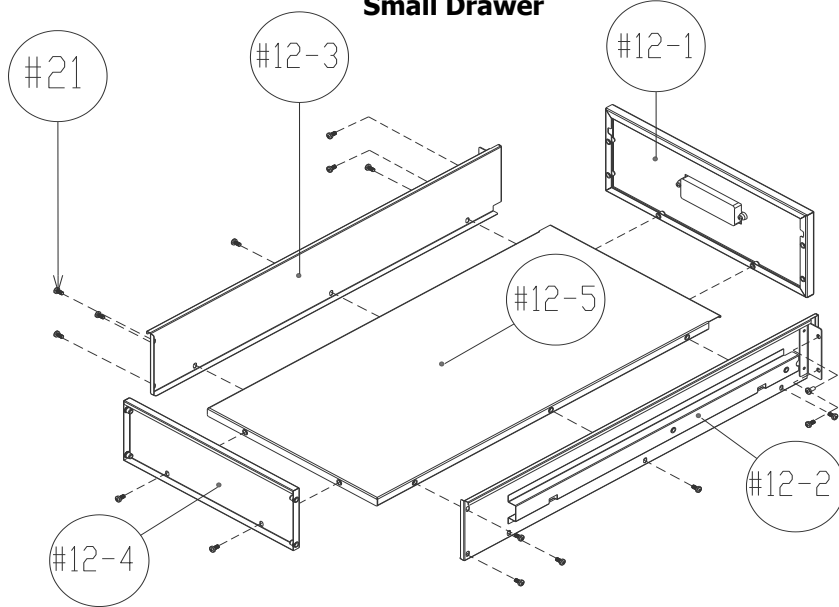
FINGERPRINT RESISTANT SURFACES
AND INCREASED DURABILITY

Reference page 15 for special care and
maintenance of stainless steel

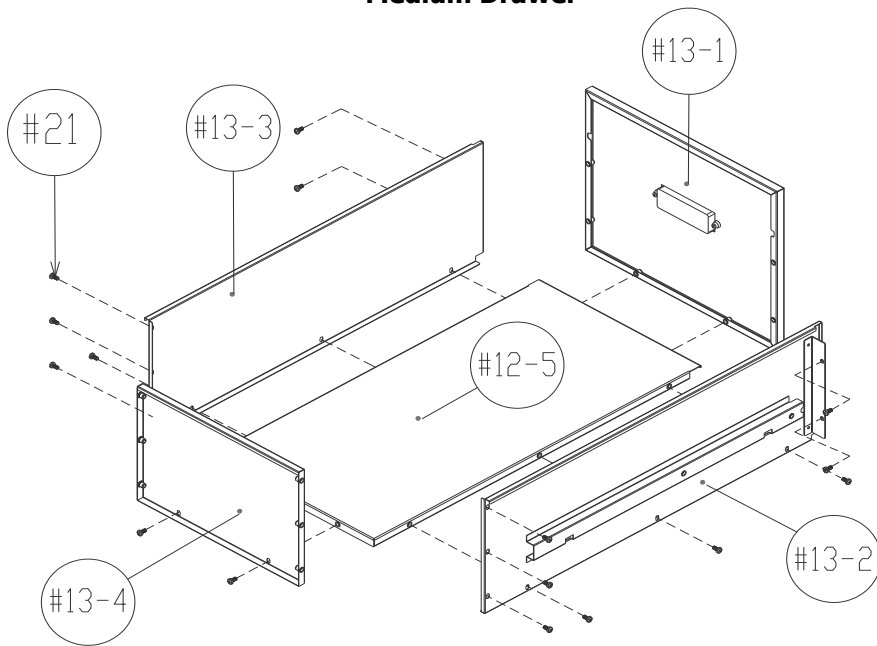




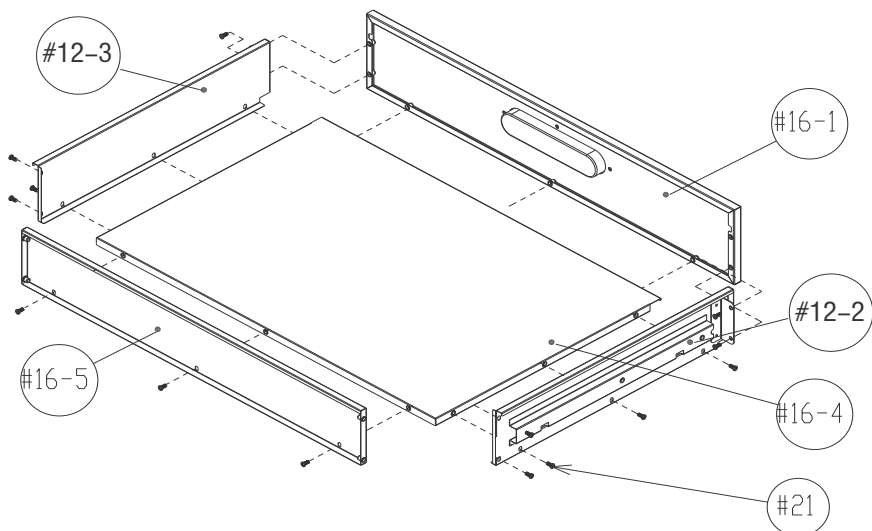
Small Drawer



Medium Drawer

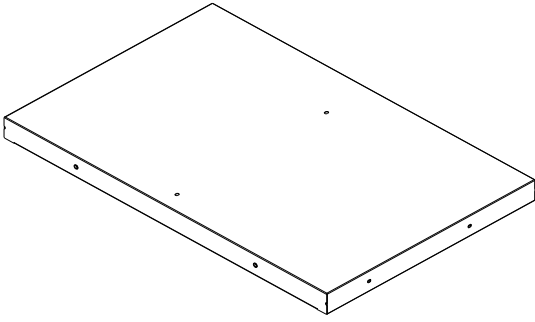


Large Drawer

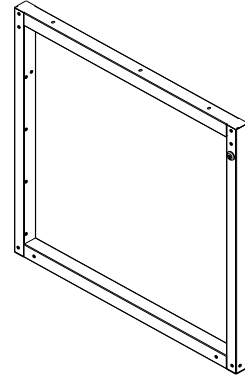


PARTS LIST

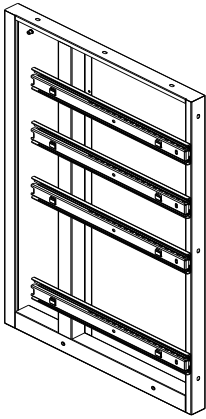
Please check the parts carefully according to the parts list. If you are missing any parts, please contact our customer service department (please refer to page 16 of 16).



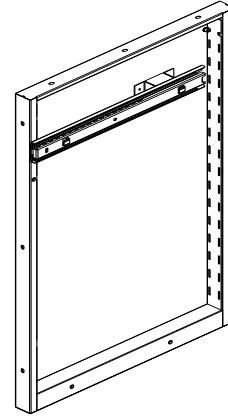
(#1) BOTTOM PANEL x 1 PC



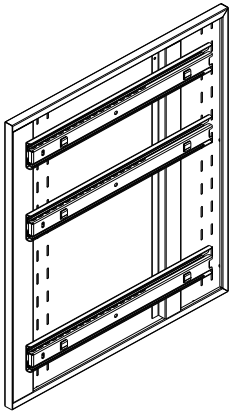
(#2) FRONT FRAME x 1 PC



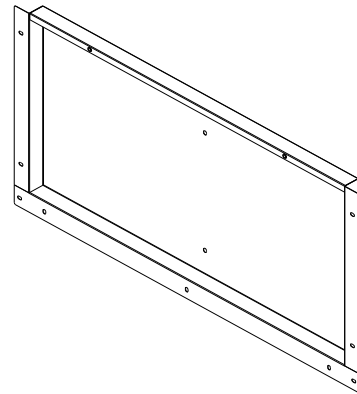
(#3) RIGHT PANEL x 1 PC



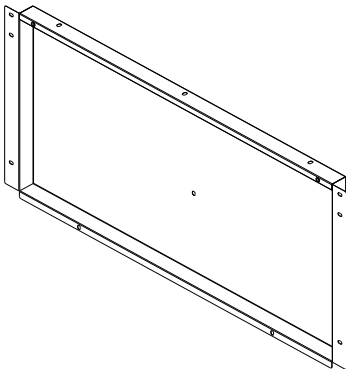
(#4) LEFT PANEL x 1 PC



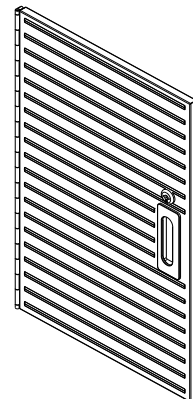
(#5) MIDDLE PANEL x 1 PC



(#6) BOTTOM BACK PANEL x 1 PC



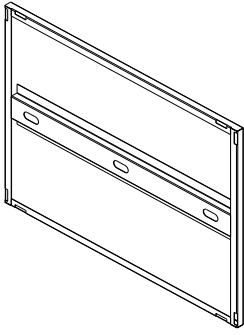
(#7) UPPER BACK PANEL x 1 PC



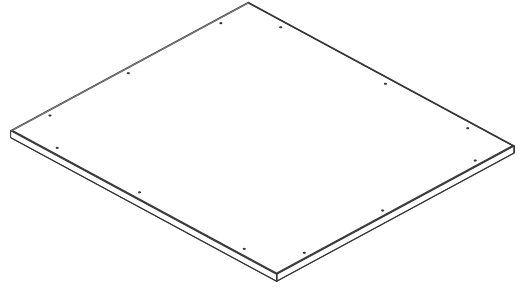
(#8) DOOR x 1 PC

PARTS LIST

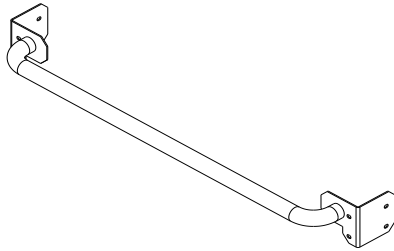
Please check the parts carefully according to the parts list. If you are missing any parts, please contact our customer service department (please refer to page 16 of 16).



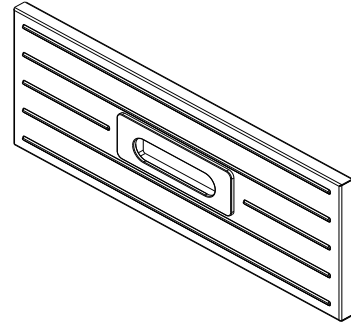
(#9) MIDDLE SHELF x 1 PC



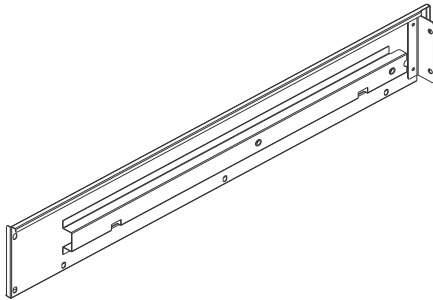
(#10) STAINLESS STEEL TOP x 1 PC



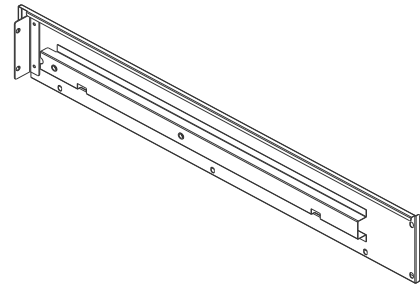
(#11) PUSH BAR x 1 PC



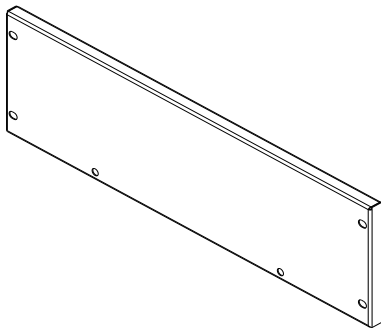
(#12-1) SMALL DRAWER FRONT PANEL x 2 PCS



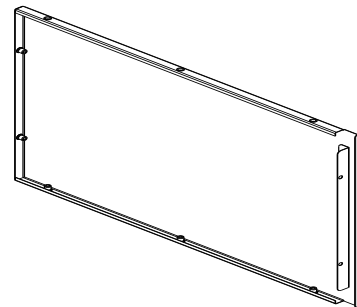
(#12-2) LARGE/SMALL DRAWER LEFT PANEL x 3 PCS



(#12-3) LARGE/SMALL DRAWER RIGHT PANEL x 3 PCS



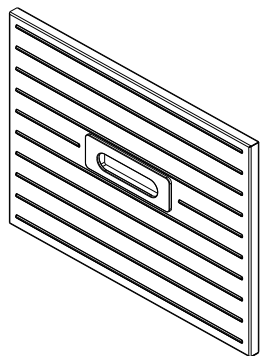
(#12-4) SMALL DRAWER BACK PANEL x 2 PCS



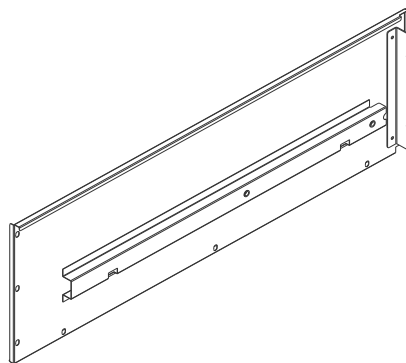
(#12-5) SMALL DRAWER BASE PANEL x 3 PCS

PARTS LIST

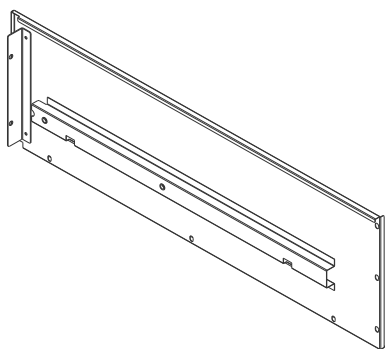
Please check the parts carefully according to the parts list. If you are missing any parts, please contact our customer service department (please refer to page 16 of 16).



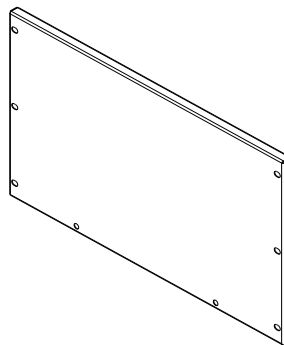
(#13-1) MEDIUM DRAWER FRONT PANEL x 1 PC



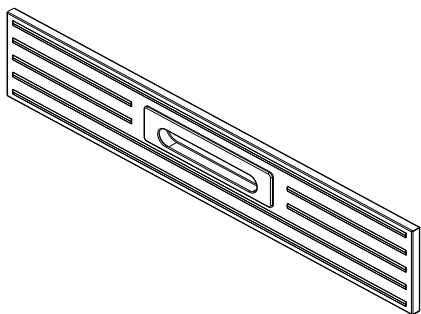
(#13-2) MEDIUM DRAWER LEFT PANEL x 1 PC



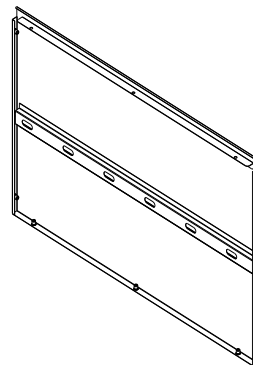
(#13-3) MEDIUM DRAWER RIGHT PANEL x 1 PCS



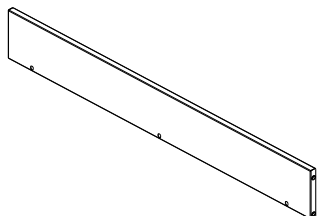
(#13-4) MEDIUM DRAWER BACK PANEL x 1 PC



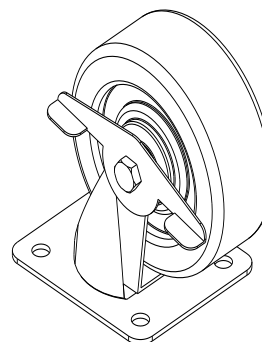
(#16-1) LARGE DRAWER FRONT PANEL x 1 PC



(#16-4) LARGE DRAWER BOTTOM PANEL x 1 PC



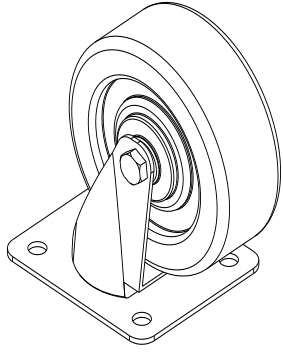
(#16-5) LARGE DRAWER BACK PANEL x 1 PCS



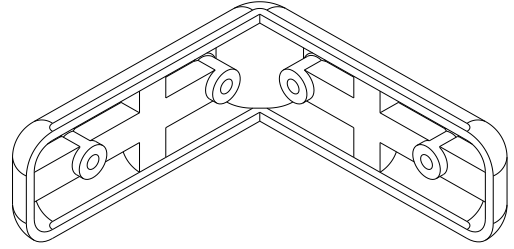
(#14) SWIVEL WHEEL WITH BRAKE x 2 PCS

PARTS LIST

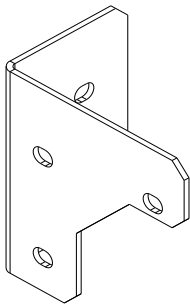
Please check the parts carefully according to the parts list. If you are missing any parts, please contact our customer service department (please refer to page 16 of 16).



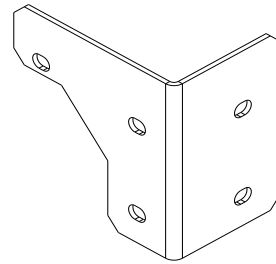
(#15) SWIVEL WHEEL W/O BRAKE x 2 PCS



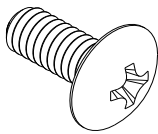
(#17) BUMPER x 4 PCS



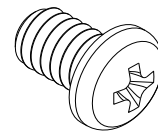
(#18) RIGHT BACK CORNER PROTECTOR x 1 PC



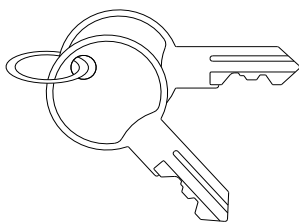
(#19) LEFT BACK CORNER PROTECTOR x 1 PC



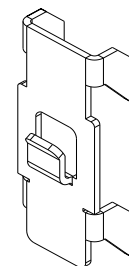
(#20) SCREW A (M4 x 10) x 60 PCS



(#21) SCREW B (M4 x 8) x 96 PCS



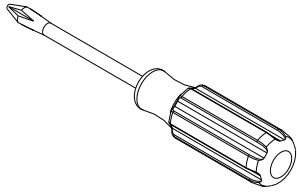
(#22) DOOR / DRAWER KEY x 4 STRINGS



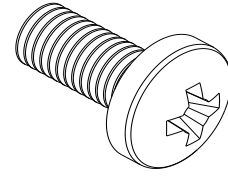
(#23) HOOK x 4 PCS

PARTS LIST

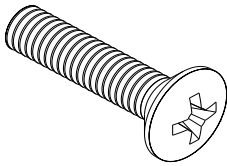
Please check the parts carefully according to the parts list. If you are missing any parts, please contact our customer service department (please refer to page 16 of 16).



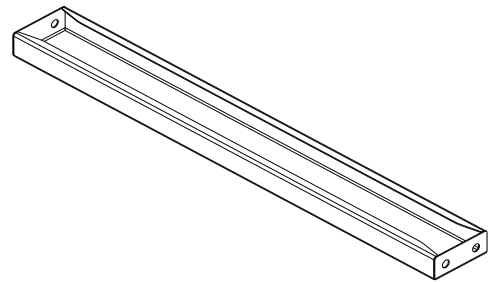
(#24) SCREWDRIVER x 1PC



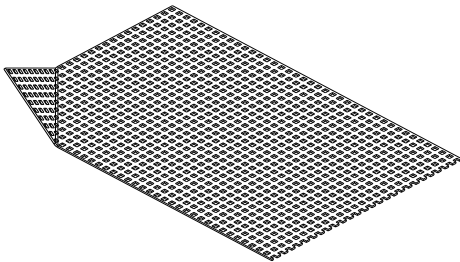
(#25) SCREW D (M8 x 18) x 16 PCS



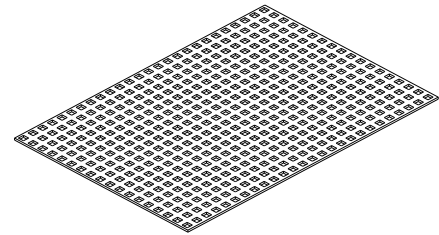
(#26) SCREW C (M4 x 18) x 16 PCS



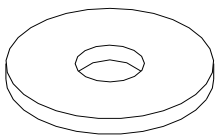
(#27) Middle Crossbar x 1 PC



(#28) LARGE DRAWER MAT x 1 PC



(#29) SMALL DRAWER MAT x 3 PCS

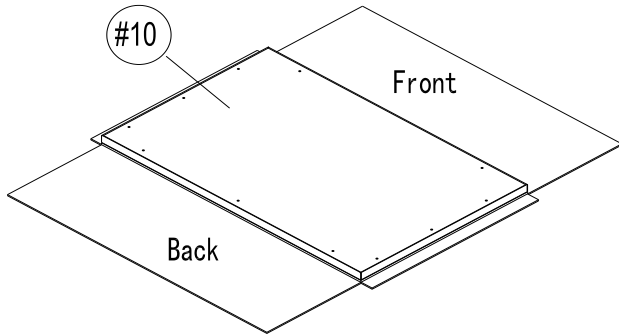


(#41) WASHER (M4) x 4 PCS

UltraHD Rolling Cabinet (Model No. 20185)



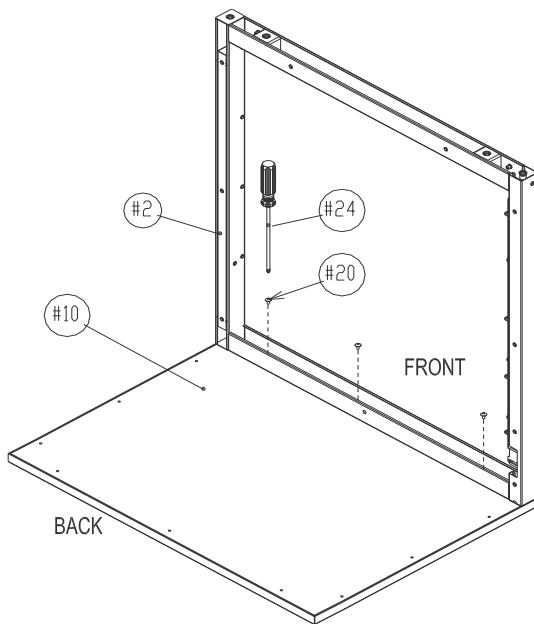
*NOTE: We recommend using TWO people to assemble the cabinet.



TIP: A magnetic screwdriver is included for your convenience. If a power screwdriver is used, keep on a low torque setting.

Step 1. Open the package, remove and place all parts to the side. Then open the package of the Stainless Steel Top (#10).

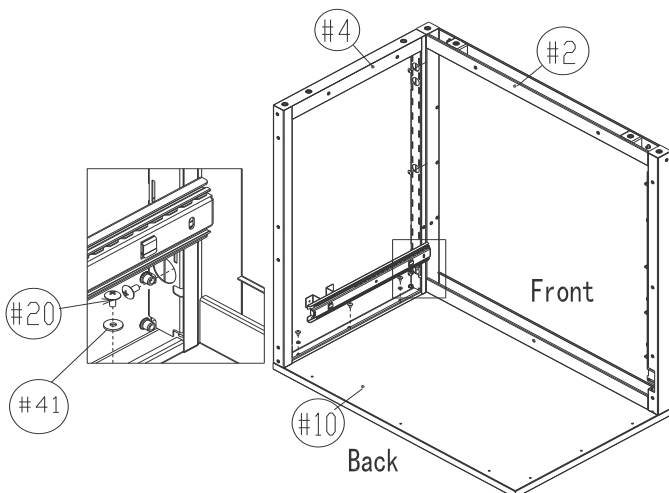
Note: The Stainless Steel Top is packed within an inner cardboard box. Assemble on top of the cardboard to help avoid scratching the stainless steel top.



Step 2. Install Front Frame (#2)

Locate the Front Frame (#2) and attach to the "Front" of the Stainless Steel Top (#10) using Screw Driver (#24) and Screw A (#20).

Note: The screw holes have some tolerance so make sure that the top and sides of the Front Frame are flushed with the Stainless Steel Top – this may save time by avoiding having to make slight adjustments later.



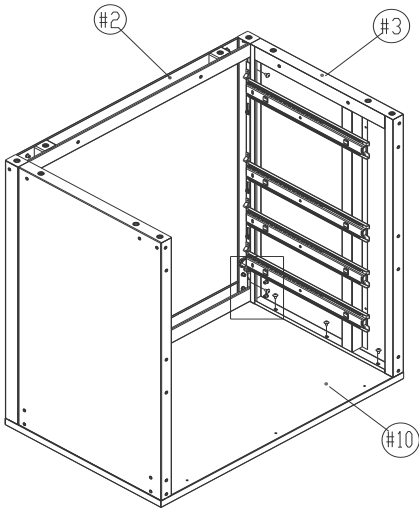
Step 3. Install the Left Panel (#4)

Attach the Left Panel (#4) to Front Frame (#2) and Stainless Steel Top (#10). Make sure the "Top" of the Left Panel (#4) is on the Stainless Steel Top (#10) and the screw holes are lined up to the Front Frame (#2). Use Screw Driver (#24) and Screw A (#20) with Washer (#41) to tighten the Left Panel (#4) to the Front Frame (#2) and Stainless Steel Top (#10).

UltraHD Rolling Cabinet (Model No. 20185)

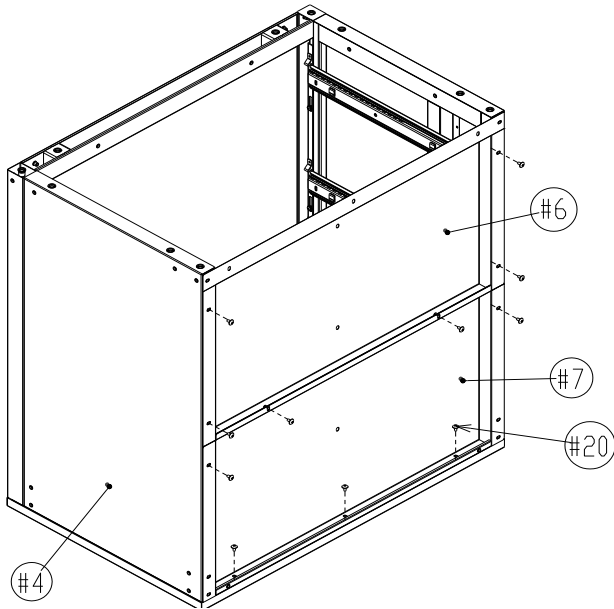
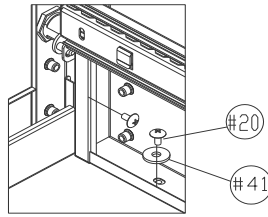


*NOTE: We recommend using TWO people to assemble the cabinet.



Step 4. Install the Right Panel (#3)

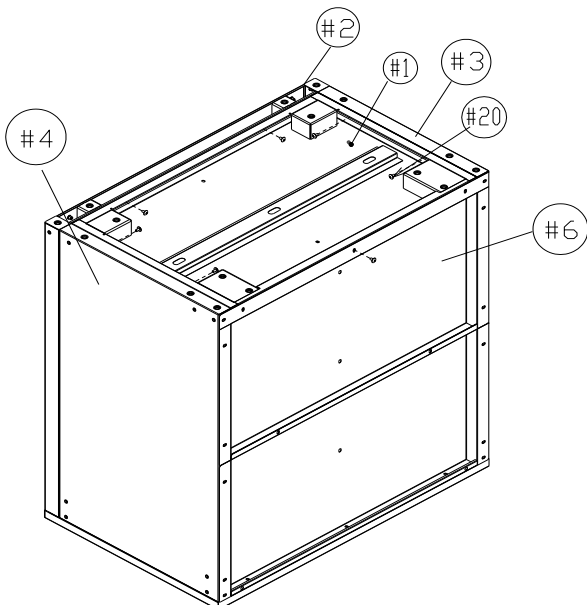
Attach the Right Panel (#3) to Front Frame (#2). Make sure the “Top” of the Right Panel (#3) is on the Stainless Steel Top (#10). Use Screw Driver (#24) and Screw A (#20) with Washer (#41) to tighten the Right Panel (#3) to the Front Frame (#2) and Stainless Steel Top (#10).



Step 5. Install the Upper Back Panel (#7) and Bottom Back Panel (#6)

a. Attach the Upper Back Panel (#7) between the Left Panel (#4) and Right Panel (#3). Make sure the “Top” of the Upper Back Panel (#7) is on the Stainless Steel Top (#10) as the sticker indicates. Line up the screw holes and use Screw A (#20) to tighten up the Upper Back Panel to the Stainless Steel Top (#10), Left Panel (#4) and Right Panel (#3).

b. Attach Bottom Back Panel (#6) between the Left Panel (#4) and Right Panel (#3). Make sure the “Top” of the Bottom Back Panel (#6) is on the Upper Back Panel (#7) as the sticker indicates. Line up the screw holes and use Screw A (#20) to tighten the Bottom Back Panel (#6) to the Upper Back Panel (#7), Left Panel (#4) and Right Panel (#3).



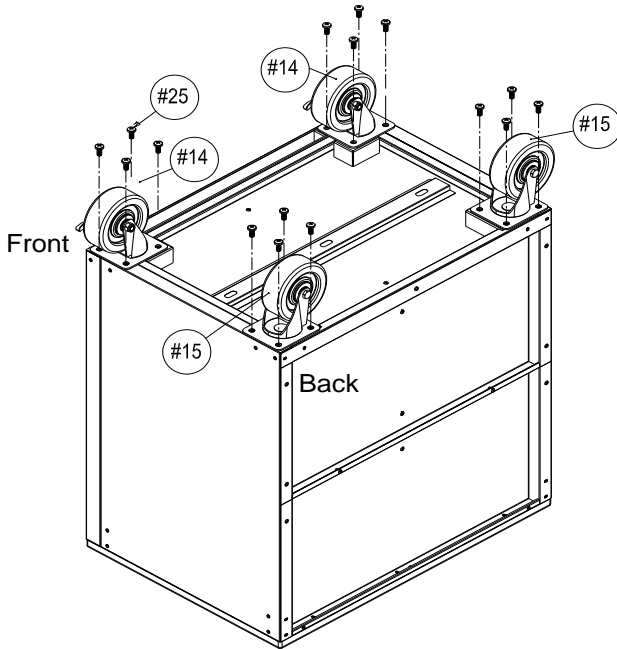
Step 6. Install the Bottom Panel (#1).

Attach the Bottom Panel (#1) to the Left Panel (#4), Right Panel (#3), Front Frame (#2) and Bottom Back Panel (#6). Line up the screw holes and use Screw A (#20) to tighten.

UltraHD Rolling Cabinet (Model No. 20185)

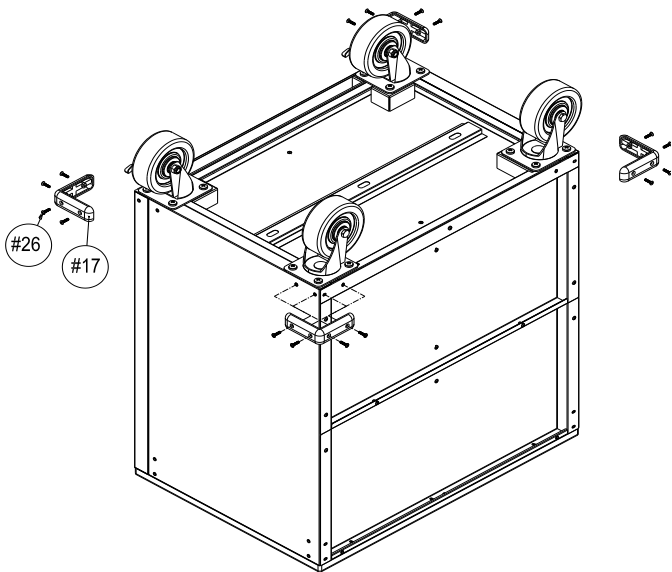


*NOTE: We recommend using TWO people to assemble the cabinet.



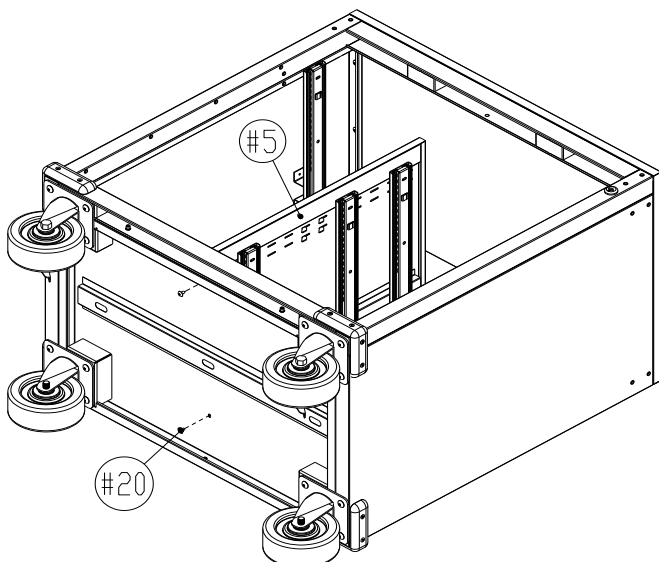
Step 7. Install Wheels (#14 and #15)

Attach Wheels (#14 and #15) to the Bottom Panel (#1) and surrounding frame. Make sure the Swivel Wheels with Brake are installed at the front side. Use Screw D (#25) to tighten them.



Step 8. Install Bumpers (#17)

Attach Bumpers (#17) to the bottom four corners of the cabinet. Use Screw C (#26) to tighten them.



Step 9. Install the Middle Panel (#5)

Install the middle panel as the left photo show. Use 2 pcs of Screw A (#20) to tighten with the Bottom Panel (#1).

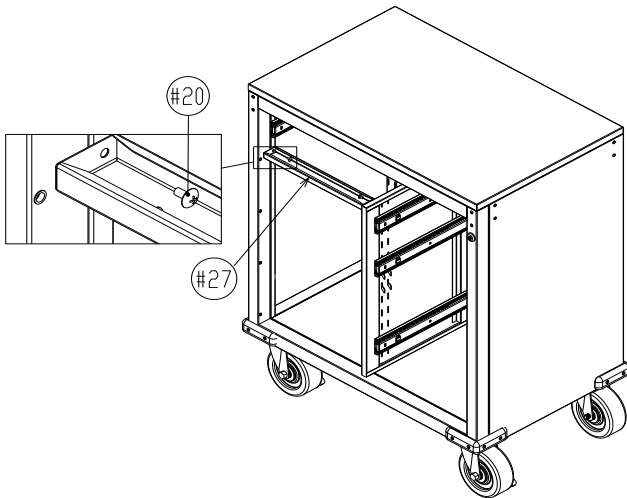
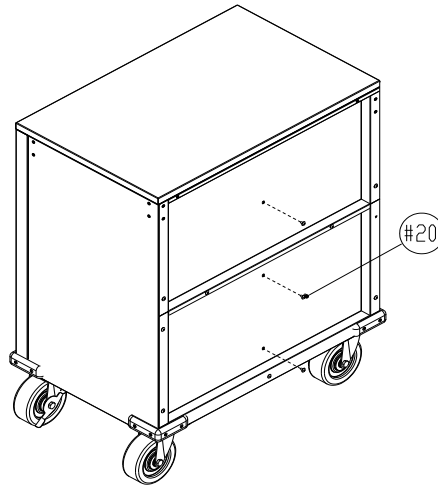
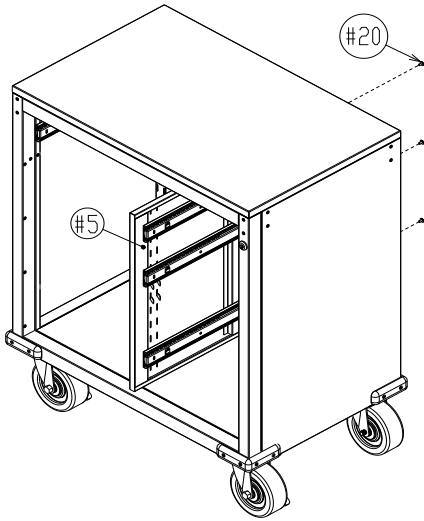
UltraHD Rolling Cabinet (Model No. 20185)



*NOTE: We recommend using TWO people to assemble the cabinet.



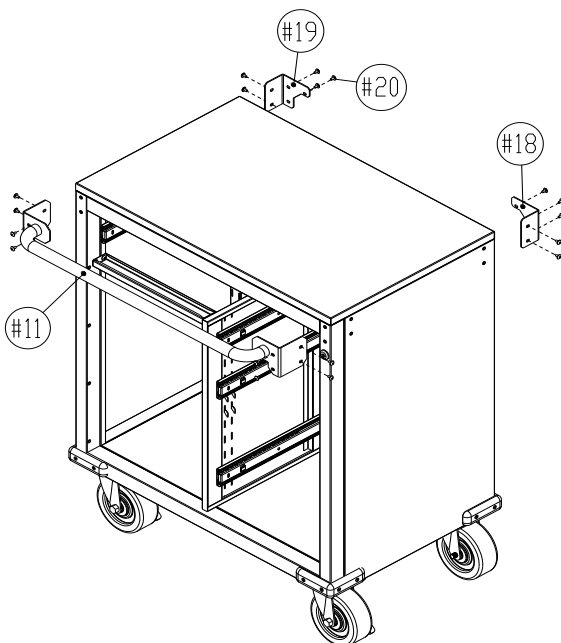
Lift the Storage Cabinet upright, fix the Middle Panel (#5) with the Upper and Bottom Back Panel (#6 & #7) using 3 pcs of Screw A (#20) to tighten.



Step 10. Install Middle Crossbar (#27)

Install the Middle Crossbar (#27) with the Left Panel (#4) and Middle Panel (#5) as the left photo shows. Use Screw A (#20) to tighten.

Note: Make sure the inner side of the Middle Crossbar is facing upward



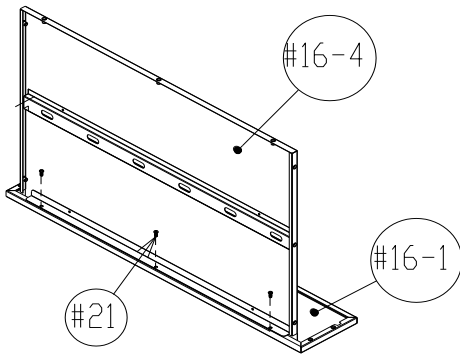
Step 11. Attach the Push Bar (#11) and Back Corner Protection (#18 and #19)

Attach the Push Bar (#11) to the front side of the cabinet. Use 8 pcs of Screw A (#20) to tighten. Then attach the Right Back Corner Protection (#18) to the right side of the cabinet and Left Back Corner Protection (#19) to the left side of the cabinet. Use 10 pcs of Screw A (#20) to tighten them.

UltraHD Rolling Cabinet (Model No. 20185)

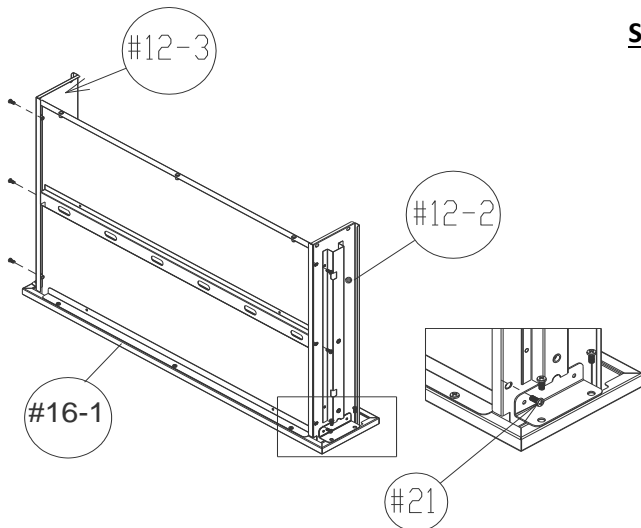


*NOTE: We recommend using TWO people to assemble the cabinet.



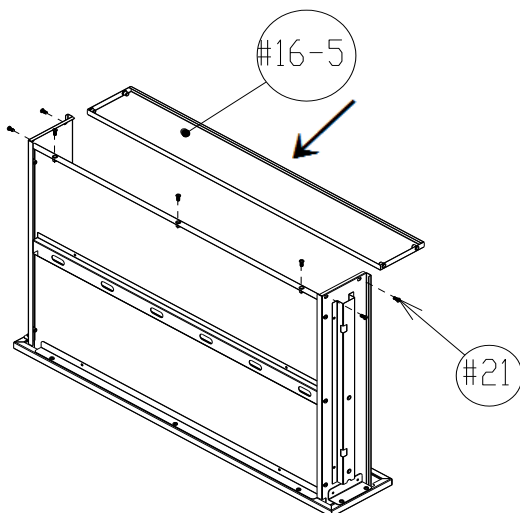
Step 12: Install Large Drawer Base Panel (#16-4)

Fit and attach Large Drawer Base Panel (#16-4) into the back slot of stainless steel Drawer Front (#16-1), use Screw B (#21) to tighten.



Step 13: Install Large Drawer Side Panel (#12-2 & #12-3)

Attach Large Drawer Side Panels (#12-2 and #12-3) to the back of Drawer Front (#16-1). Make sure the Drawer Side Panels (#12-2 and #12-3) are placed all the way into the slot, making contact with the inner wall of the front panel. Line up the screw holes and use Screw B (#21) to tighten them.



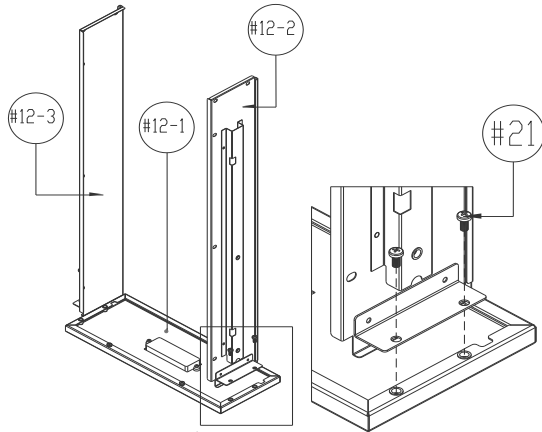
Step 14: Install Large Drawer Back Panel (#16-5).

Attach the Large Drawer Back Panel (#16-5) to the rest of the assembled drawer. Use Screw B (#21) to tighten.

UltraHD Rolling Cabinet (Model No. 20185)

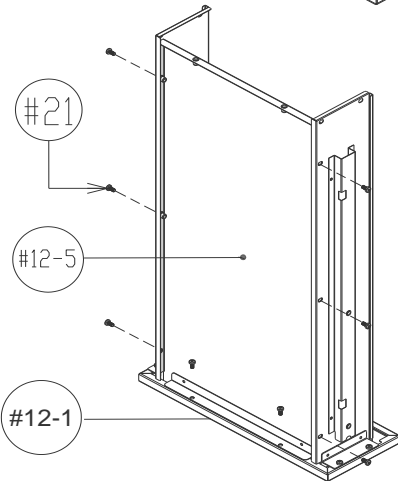


*NOTE: We recommend using TWO people to assemble the cabinet.



Step 15: Install Small Drawer Side Panels (#12-2 and #12-3).

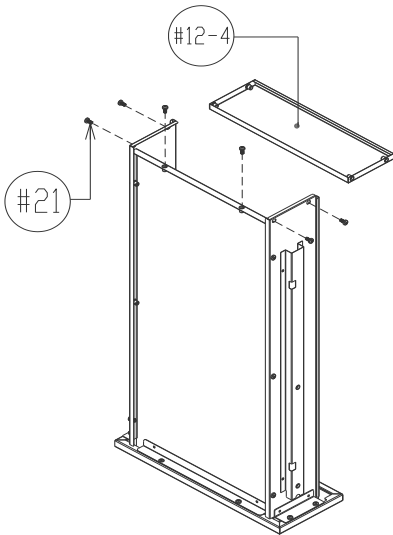
Fit and attach Small Drawer Side Panels (#12-2 and #12-3) one at a time into the back of the Small Drawer Front Panel (#12-1). Make sure the Drawer Side Panels are placed in all the way making contact with the rear of the Small Drawer Front Panel (#12-1). Line up the screw holes and use Screw B (#21) to tighten them.



Step 16: Install Small Drawer Base Panel (#12-5).

From above, fit and attach Small Drawer Base Panel (#12-5) between the two sides and into the back of the Small Drawer Front Panel (#12-1). Use Screw B (#21) to tighten.

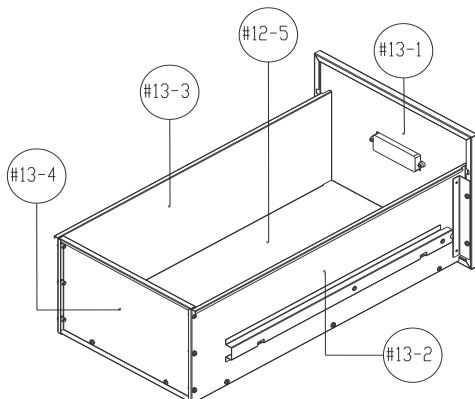
Note: Do not fully tighten any one screw until all screws are partially screwed in.



Step 17: Install Small Drawer Back Panel (#12-4).

Attach the Small Drawer Back Panel (#12-4) to the rest of the assembled drawer. Use Screw B (#21) to tighten.

NOTE: Once you have the first Small Drawer assembled, repeat Steps 15-17 to assemble the other two Small Drawers. Once completed, you should have three Small Drawers.



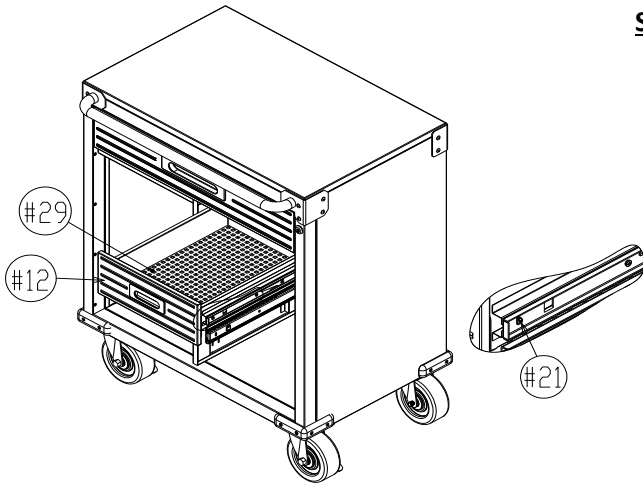
Step 18: Assemble and Install Medium Drawer the same way.

Repeat Steps 15-17 using Medium Drawer Left Panel (#13-2), Medium Drawer Right Panel (#13-3), Medium Drawer Front Panel (#13-1), Medium Drawer Back Panel (#13-4) and Drawer Base Panel (#12-5) to assemble the Medium Drawer. Once assembled, you should have one Medium Drawer.

UltraHD Rolling Cabinet (Model No. 20185)



*NOTE: We recommend using TWO people to assemble the cabinet.

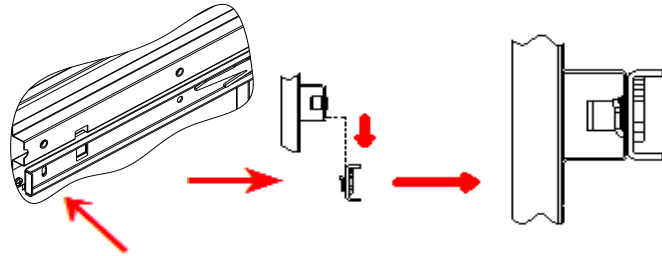
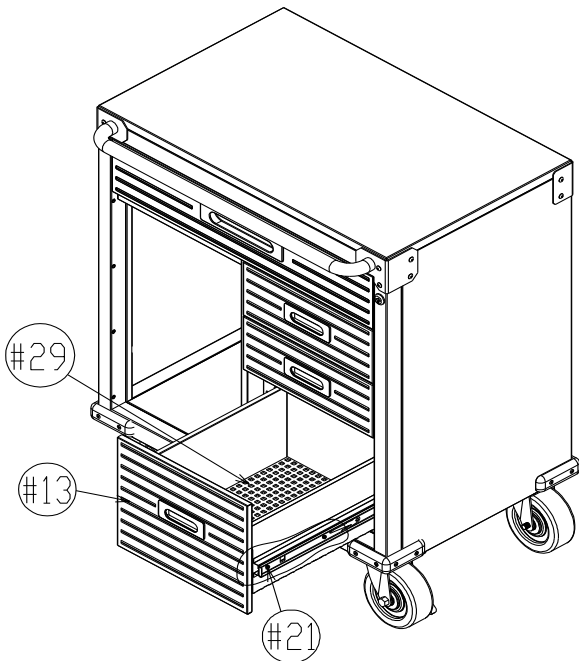


Step 19. Place the Small and Large Drawers (#12)(#16)

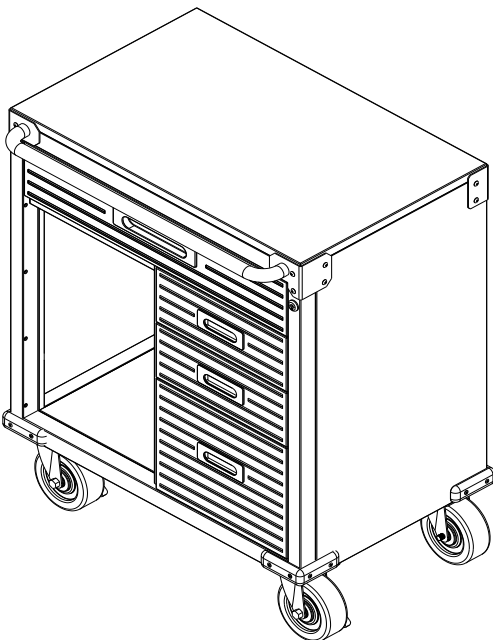
Pull out the sliders completely, then attach the drawer to the sliders. Make sure the square holes on the drawer side panels are line up, and the drawer is hooked onto the sliders completely. Use 4pcs Screw B (#21) to tighten the drawer, and put the Drawer Mat (#28) and (#29) into the drawer.

Repeat Step 19 to place the rest of the drawers

Note: The Medium Drawer is at the bottom



The oval hole at the front of the slider allows for the gaps between the drawers to be adjusted. Make the adjustments once all the drawers are installed



UltraHD Rolling Cabinet (Model No. 20185)



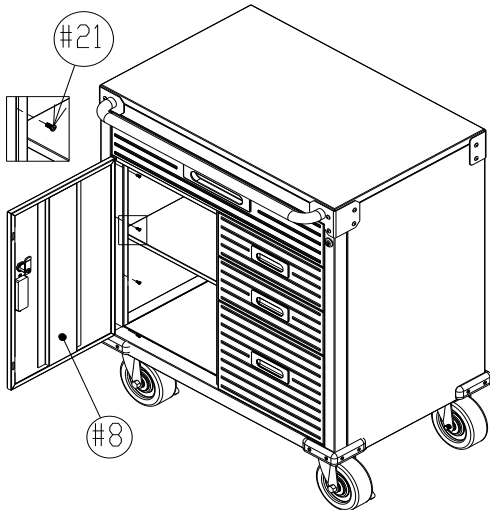
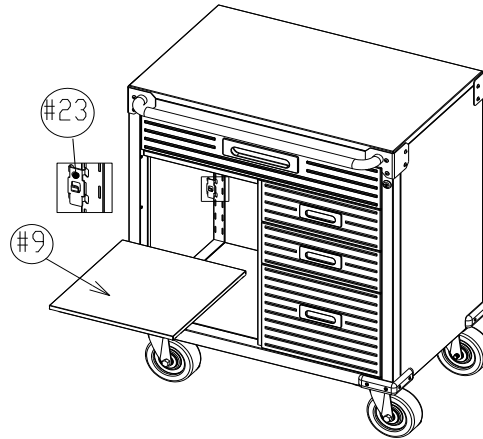
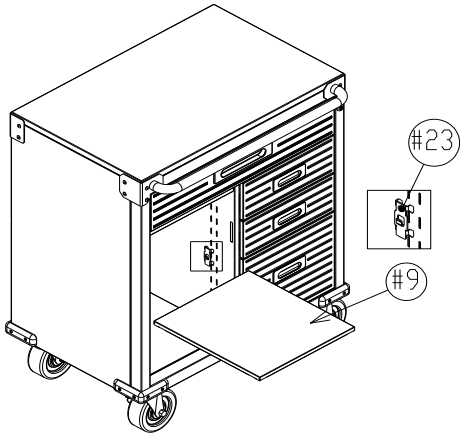
*NOTE: We recommend using TWO people to assemble the cabinet.



Step 19. Install the Shelf (#9).

a. Decide the height for the Middle Shelf (#9), place the Hooks (#23) into the hook slots and push down.
Note: The Middle Shelf has 4 Hooks at four corners for support. Place the 4 Hooks at the four corners and make sure they are the same height.

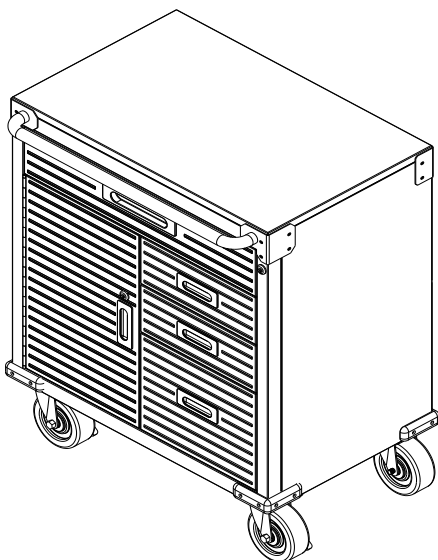
b. Place the Middle Shelf (#9) into the cabinet and push down onto the Hooks (#23).



Step 20. Install the Door Panel (#8)

Attach the Door (#8) to the unit using Screw B (#21) to tighten.

Note: The screw holes on the door hinge have tolerance, enabling the door to be adjusted and centered in the door frame.



Stainless Steel Maintenance:

These parts have an UltraGuard® fingerprint resistant finish. Do not use traditional stainless steel cleaners on this unit. Lightly wipe off once a month with clean warm water and a soft cloth (preferably a microfiber cloth). This is the safest formula to prevent new stains from appearing over time and manage unwanted fingerprints or grease marks. Remember to always wipe in the direction of the surface grain (NEVER ACROSS) and always use a lint-free cloth. Once the surface is clean, thoroughly wipe dry with a soft absorbent cloth.

CONTACT INFORMATION

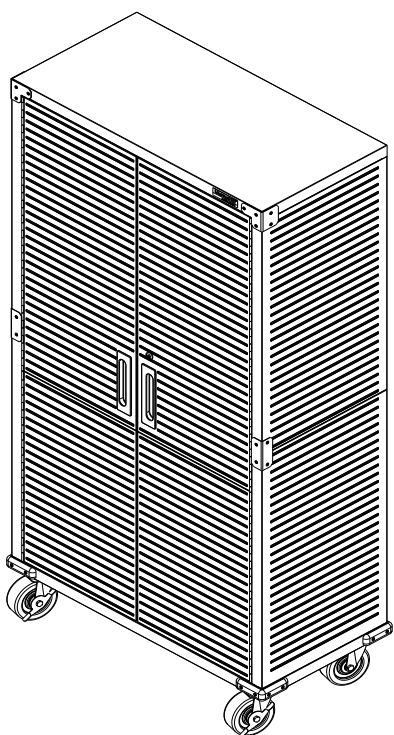
If you are missing any parts, have any questions, or need additional assistance in assembly, please contact our bilingual (English and Spanish) customer service department at:



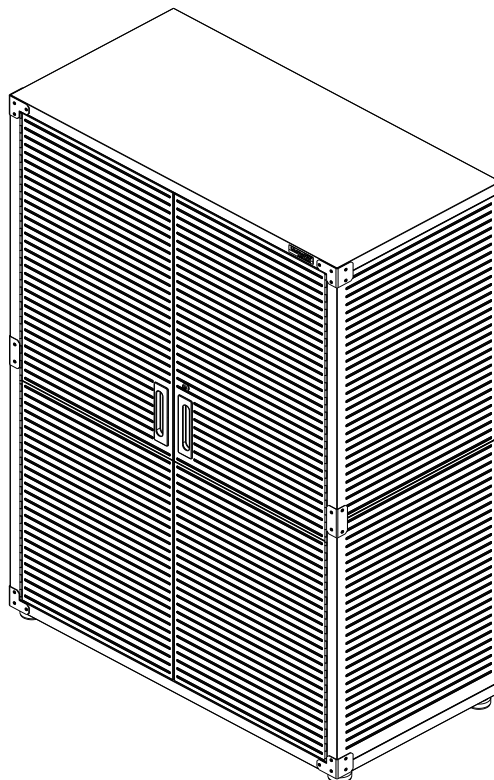
Seville Classics, Inc.
19401 Harborgate Way Torrance, CA 90501 USA
Telephone: (800) 323-5565 within USA
Fax: (310) 533-3899
Hours: 9:00am - 4:30pm (Pacific Standard Time)
E-mail: support@sevilleclassics.com
Website & Online Store: www.sevilleclassics.com

*****Please visit our website or call and inquire about our additional UltraHD Line*****

UltraHD Line

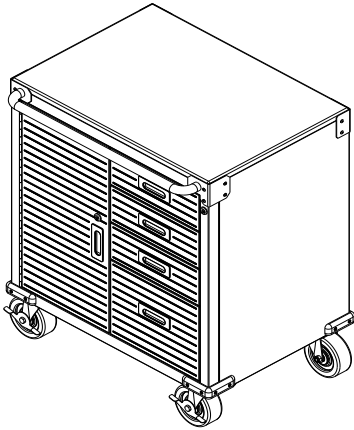


UltraHD® Tall Storage Cabinet
Model No. 16236 (Granite)
Model No. 20143 (Graphite)
Model No. 20153 (Red)
Model No. 20133 (White)

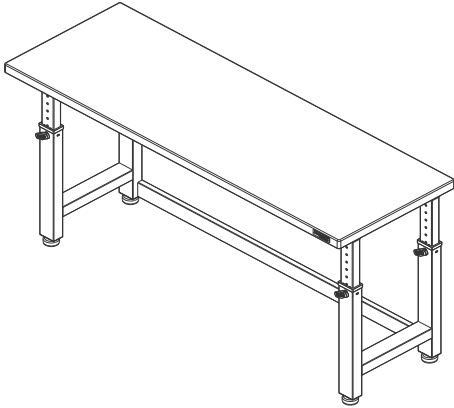


UltraHD® Mega Storage Cabinet
Model No. 16238 (Granite)
Model No. 20148 (Graphite)
Model No. 20158 (Red)
Model No. 20138 (White)

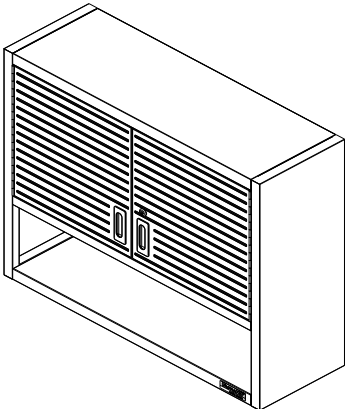
UltraHD Line



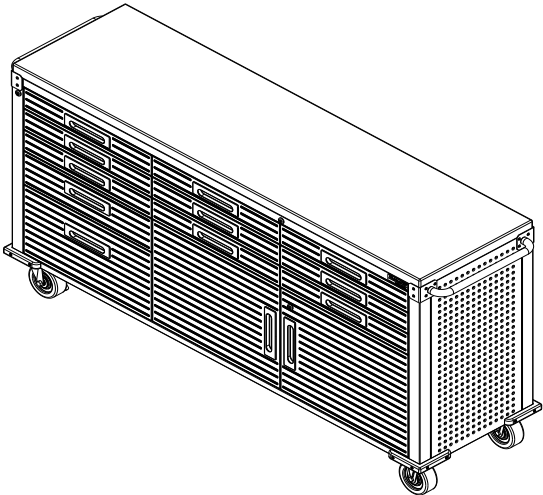
UltraHD® 4-Drawer Rolling Cabinet
Model No. 20205 (Granite)
Model No. 20252 (Graphite)
Model No. 20258 (White)



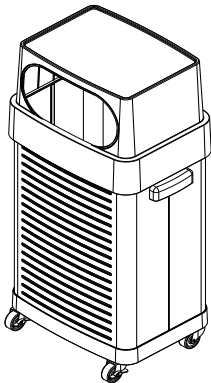
UltraHD® 6-Foot Height Adjustable Workbench
Model No. 20292 (Granite)
Model No. 20293 (Graphite)



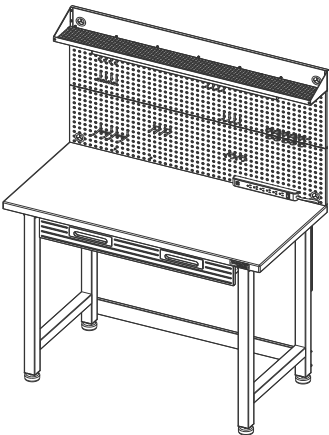
UltraHD® Wall Cabinet with Open Shelf
Model No. 20230 (Granite)
Model No. 20140 (Graphite)
Model No. 20150 (Red)



UltraHD® 2-Door Rolling Workbench
Model No. 20262 (Granite)
Model No. 20142 (Graphite)
Model No. 20152 (Red)



UltraHD® Rolling Trash Bin
Model No. 20215



UltraHD® Lighted Workcenter
Model No. 20247 (Granite)
Model No. 20246 (Graphite)
Model No. 20157 (Red)