



## ASSEMBLY INSTRUCTIONS

UltraHD® Tall Storage Cabinet (Model No. 16236, 20143, 20153, 20133)

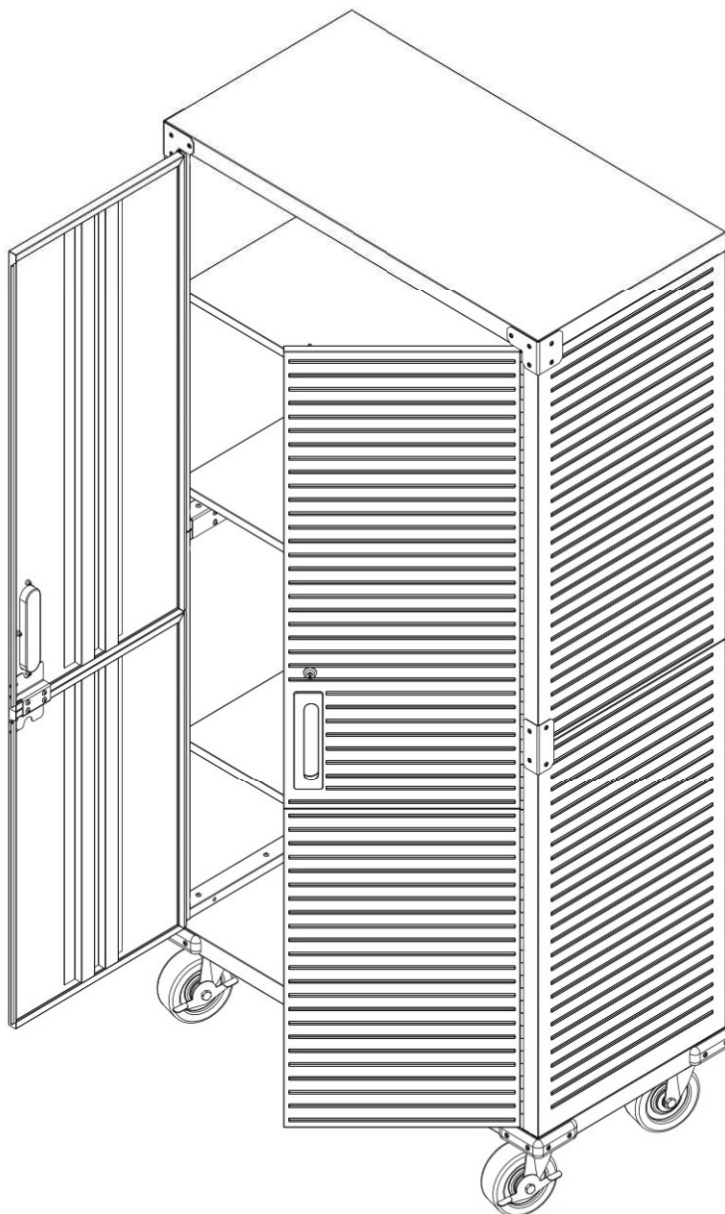
Granite Graphite Red White

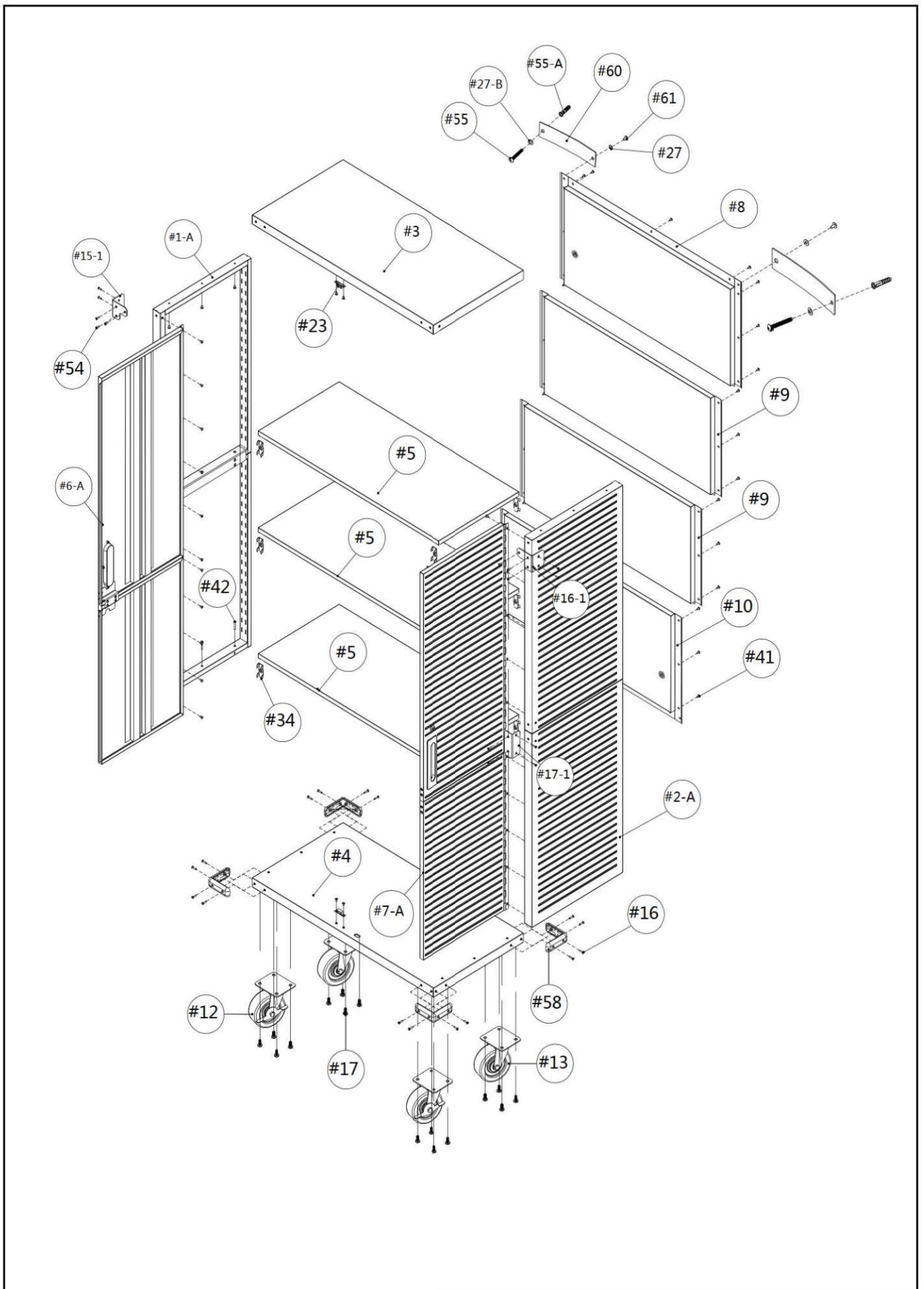
36 in. W x 18 in. x 72 in. H  
(91.4 cm x 45.7 cm x 1.83 m)

**ULTRAGUARD®**

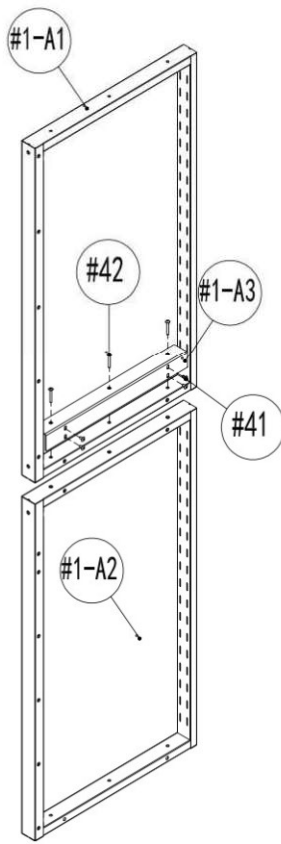
FINGERPRINT RESISTANT SURFACES  
AND INCREASED DURABILITY

Reference page 12 for special care and  
maintenance of stainless steel

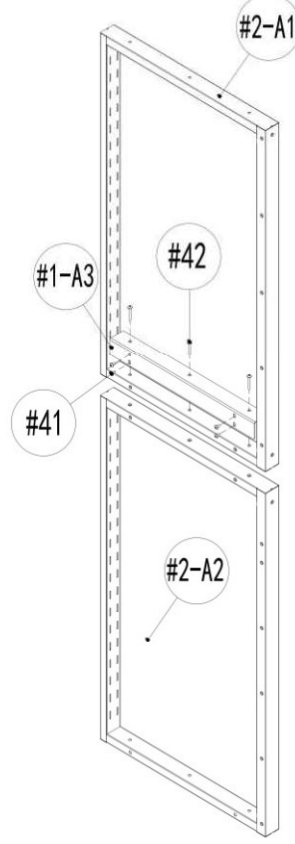




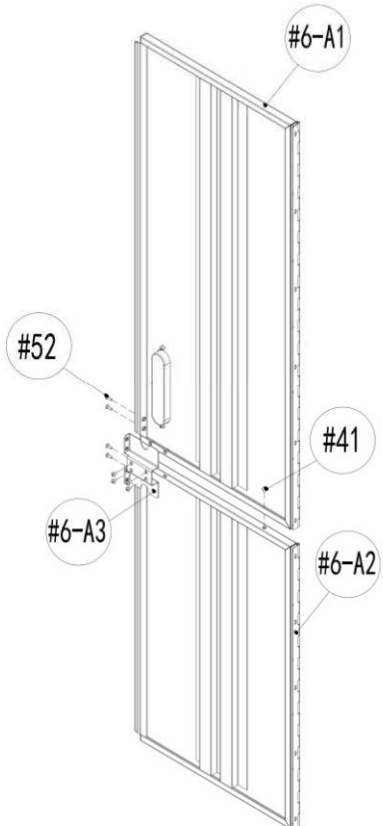
**(#1-A) Left Side Panel**



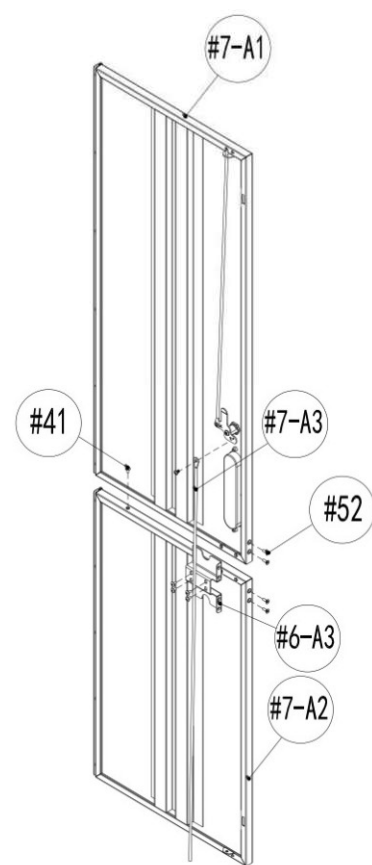
**(#2-A) Right Side Panel**



**(#6-A) Left Door**





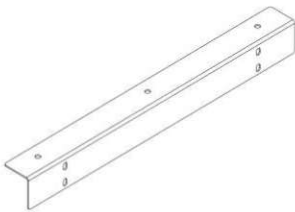

**(#7-A) Right Door**


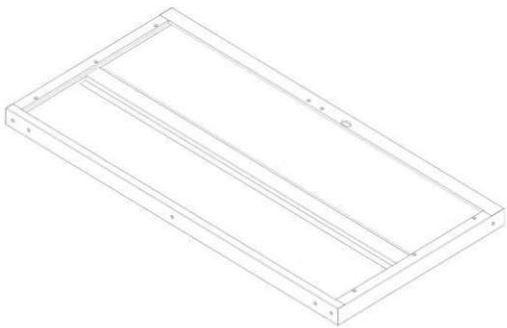


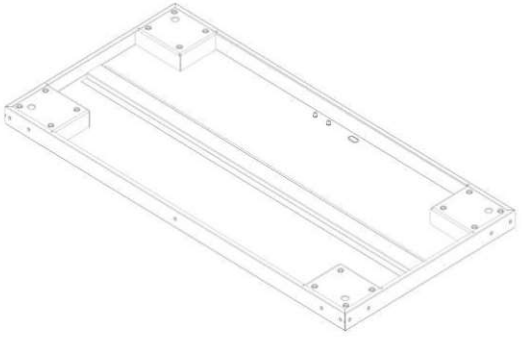
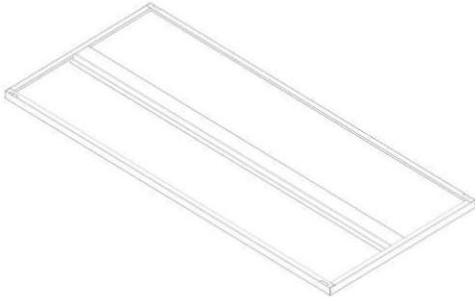
# PARTS LIST

Please check the parts carefully according to the parts list. If you are missing any parts, please contact our customer service department. (Please refer to page 13)

 A vertical rectangular panel with horizontal slats, shown from a three-quarter perspective.	 A vertical rectangular panel with horizontal slats, shown from a three-quarter perspective.
(#1-A1) Left Side - Upper Panel x 1 PC	(#1-A2) Left Side - Bottom Panel x 1 PC



 A long, thin L-shaped metal reinforcement piece with several pre-drilled holes.	 A vertical rectangular panel with horizontal slats, shown from a three-quarter perspective.
(#1-A3) Side Panel Reinforcement Connection Part x 2 PCS	(#2-A1) Right Side - Upper Panel x 1 PC

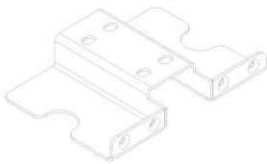

 A vertical rectangular panel with horizontal slats, shown from a three-quarter perspective.	 A rectangular frame with a central horizontal bar, shown from a three-quarter perspective.
(#2-A2) Right Side - Bottom Panel x 1 PC	(#3) Top Panel x 1 PC


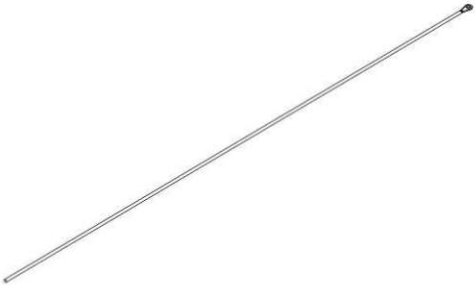
 A rectangular frame with a central horizontal bar and four corner brackets, shown from a three-quarter perspective.	 A rectangular frame with a central horizontal bar, shown from a three-quarter perspective.
(#4) Bottom Panel x 1 PC	(#5) Middle Shelf x 3 PCS



# PARTS LIST

Please check the parts carefully according to the parts list. If you are missing any parts, please contact our customer service department. (Please refer to page 13)

	
(#6-A1) Left Door - Upper Panel x 1 PC	(#6-A2) Left Door - Bottom Panel x 1 PC


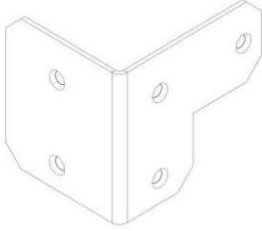
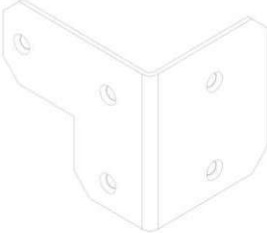

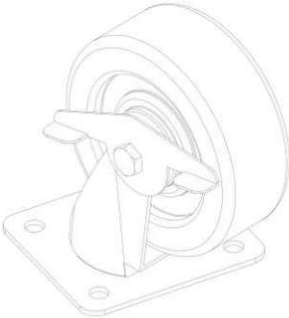

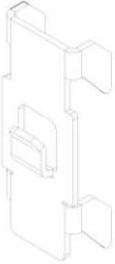
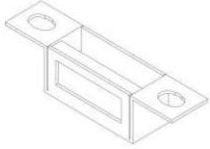
	
(#6-A3) Door Panel Connection Part x 2 PCS	(#7-A1) Right Door - Upper Panel x 1 PC

	
(#7-A2) Right Door - Bottom Panel x 1 PC	(#7-A3) Key Rod x 1 PC

	
(#8) Upper Back Panel x 1 PC	(#9) Middle Back Panel x 2 PCS

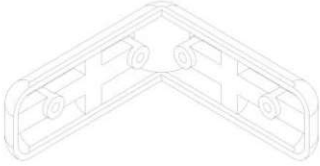

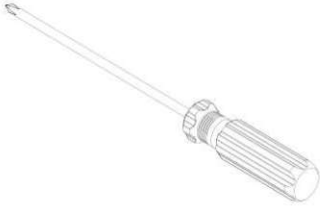
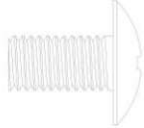
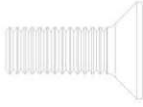

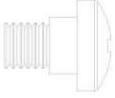
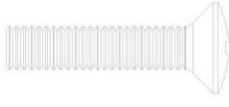
# PARTS LIST

Please check the parts carefully according to the parts list. If you are missing any parts, please contact our customer service department. (Please refer to page 13)

	
<p>(#10) Bottom Back Panel x 1 PC</p>	<p>(#15-1) Corner Protection - A x 1 PC</p>
	
<p>(#16-1) Corner Protection - B x 1 PC</p>	<p>(#17-1) Middle Corner Protection x 2 PCS</p>
	
<p>(#12) Wheel with Brake x 2 PCS</p>	<p>(#13) Wheel W/O Brake x 2 PCS</p>
	
<p>(#34) HOOK x 12 PCS</p>	<p>(#23) Magnet x 2 PCS</p>

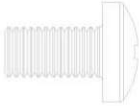
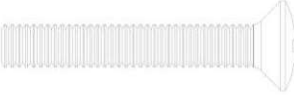
# PARTS LIST



Please check the parts carefully according to the parts list. If you are missing any parts, please contact our customer service department. (Please refer to page 13)

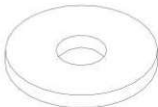

	
<p>(#58) Bumper x 4 PCS</p>	<p>(#22) Key x 2 PCS</p>
	
<p>(#21) Screw Driver x 1 PC</p>	<p>(#41) Screw F (M4 x 8L) x 86 PCS</p>
	
<p>(#52) Screw K (M5 x 10L) x 8 PCS</p>	<p>(#42) Screw G (M4 x 30L) x 12 PCS</p>
	
<p>(#53) Screw L (M4 x 6L) x 1 PC</p>	<p>(#54) Screw N (M4 x 10L) x 18 PCS</p>

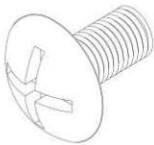

# PARTS LIST

Please check the parts carefully according to the parts list. If you are missing any parts, please contact our customer service department. (Please refer to page 13)

	
(#17) Screw D (M8x18L) x 16 PCS	(#16) Screw C (M4x18L) x 16 PCS

	
(#55) Screw M (M6 x 50L) x 2 PCS	(#55-A) Wall Anchor x 2 PCS

	
(#27) WASHER (M4) x 2 PCS	(#27-B) WASHER (M8)x 2 PCS

	
(#61) Screw O (M4 x 12L) x 2 PCS	(#60) Mounting Strap x 2 PCS

# UltraHD® Tall Storage Cabinet (Model No. 16236, 20143, 20153, 20133)



\*NOTE: We recommend using TWO people to assemble the cabinet.



**TIP:** A magnetic screwdriver is included for your convenience. If using a power screwdriver, keep torque setting on LOW during assembly.

This package contains an updated product construction designed for easier transportation while maintaining a rigid structure. Maximum loading capacity is 600LBS.

**WARNING:** Some parts may have sharp edges. To avoid injury, wearing gloves is recommended during assembly.

## Step 1: Install (#1-A) Left Side Panel.

Place the (#1-A1) Left Side - Upper Panel and (#1-A2) Left Side - Bottom Panel together, place the (#1-A3) Side Panel Reinforcement Connection Part over the touching edges, line up screw holes, use 3pcs of (#42) Screw G to tighten from the side, then use 4pcs of (#41) Screw F to tighten from the top side.

**Note:** Make sure the (#1-A1) Left Side Upper Panel is flushed with (#1-A2) Left Side Bottom Panel.

## Step 2: Install (#2-A) Right Side Panel.

Repeat **Step 1**, use (#2-A1) Right Side Upper Panel, (#2-A2) Right Side Bottom Panel, (#1-A3) Side Panel Reinforcement Connection Part 3pcs (#42) Screw G to tighten from the side, then use 4pcs (#41) Screw F to tighten from the top side.

## Step 3: Install (#6-A) Left Door.

**1).** Place (#6-A1) Left Door - Upper Panel and (#6-A2) Left Door - Bottom Panel together, line up screw holes, use 1pc (#41) Screw F to tighten from the side.

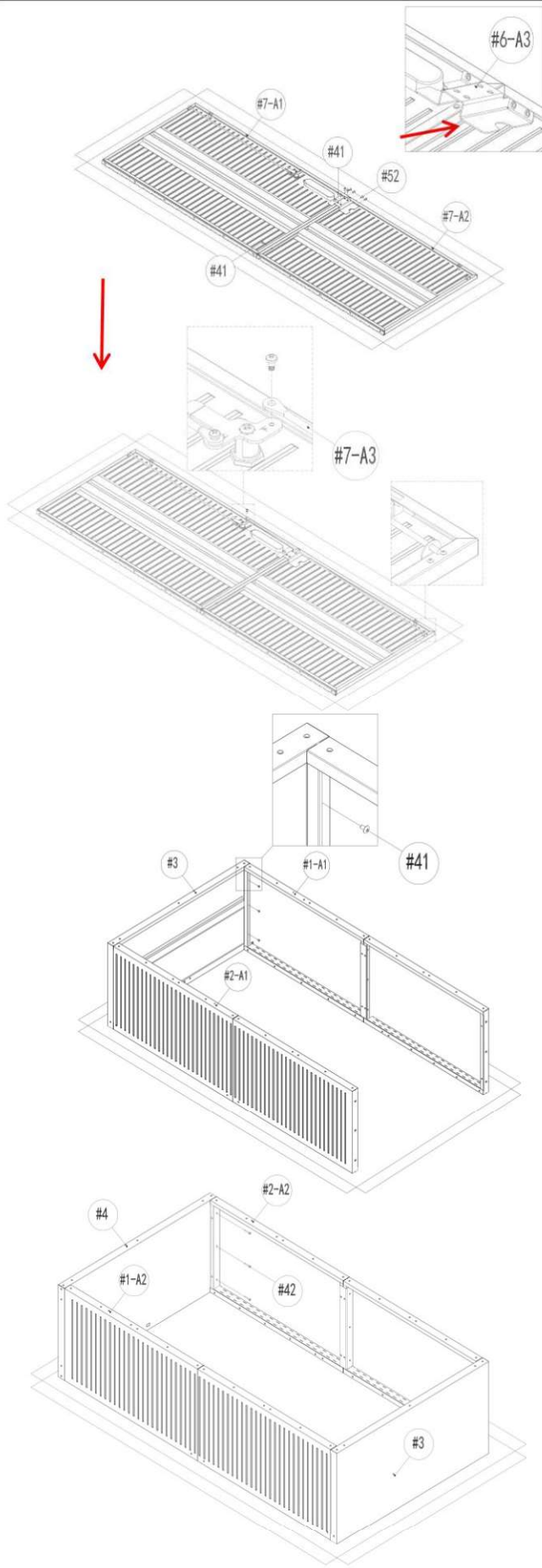
**2).** Place the (#6-A3) Door Panel Connection Part over the touching sides, line up the screw holes, use 4pcs (#41) Screw F to tighten from the top, and use 4pcs (#52) Screw K to tighten from outside edge.

**Note:** Make sure the (#6-A1) Left Door - Upper Panel is flushed with (#6-A2) Left Door - Bottom Panel.

# UltraHD® Tall Storage Cabinet (Model No. 16236, 20143, 20153, 20133)



\*NOTE: We recommend using TWO people to assemble the cabinet.



## Step 4: Install (#7-A) Right Door.

Repeat **Step 3**, use (#7-A1) Right Door - Upper Panel, (#7-A2) Right Door - Bottom Panel, (#6-A3) Door Panel Connection Part, use 1pc (#41) Screw F to tighten the touching sides, use 4pcs (#41) Screw F to tighten from the top touching side, and 4pcs (#52) Screw K to tighten from outside edge.

**Note:** Make sure the (#7-A1) Right Door - Upper Panel is flushed with (#7-A2) Right Door - Bottom Panel.

## Step 5: Install (#7-A3) Key Rod.

Insert (#7-A3) Key Rod into the bottom tab hole of (#7-A2) Right Door - Bottom Panel, twist out the pre-assembled (#53) Screw L on the key rod linkage plate, attach (#7-A3) Key Rod by lining up the screw hole and tightening back in the (#53) Screw L.

## Step 6: Install (#3) Top Panel to (#1-A1) Left Side Upper Panel and (#2-A1) Right Side Upper Panel.

Attach (#3) Top Panel to (#1-A1) Left Side Upper Panel and (#2-A1) Right Side Upper Panel. Make sure the front of the panel faces downward. Line up screw holes, use 6pcs (#41) Screw F to tighten.

**Note:** Before tightening screws, make sure the bottom corners of (#1-A1, #2-A1) Left Side Upper Panels are completely flushed with the back and front corners of (#3) Top Panel.

## Step 7: Install (#4) Bottom Panel to (#1-A2) Left Side Bottom Panel and (#2-A2) Right Side Bottom Panel.

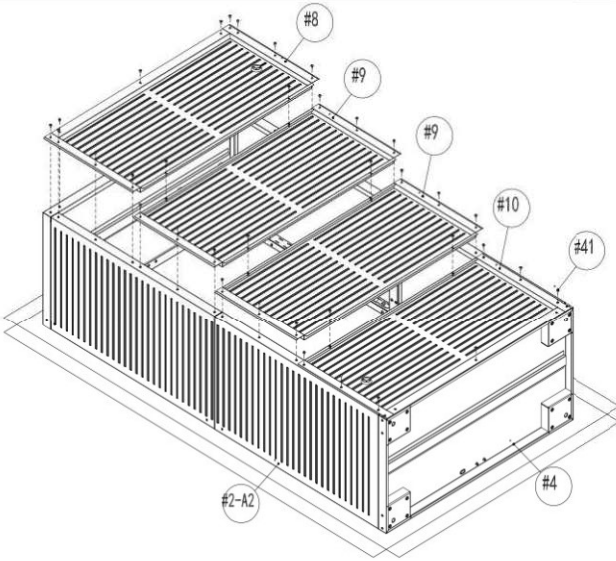
Attach (#4) Bottom Panel to (#1-A2) Left Side Bottom Panel and (#2-A2) Right Side Bottom Panel. Make sure the front of the bottom panel faces downward. Line up screw holes, use 6pcs (#42) Screw G to tighten.

**Note:** Before tightening screws, make sure the bottom corners of (#1-A2, #2-A2) Left Side Bottom Panel and Right Side Bottom Panels are completely flushed with the back and front corners of (#4) Bottom Panel.

# UltraHD® Tall Storage Cabinet (Model No. 16236, 20143, 20153, 20133)

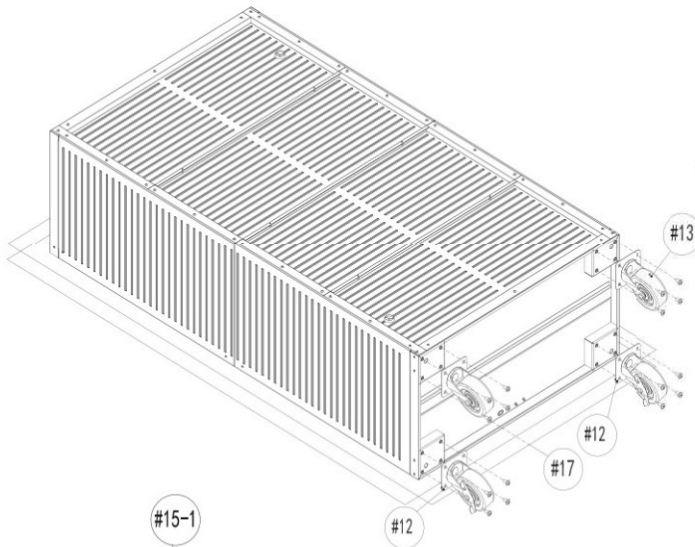


\*NOTE: We recommend using TWO people to assemble the cabinet.



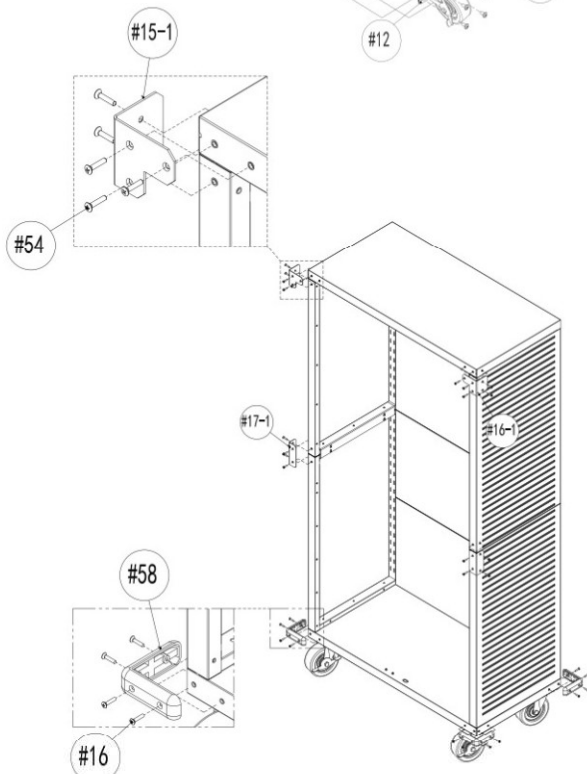
## Step 8: Install (#8, #9 and #10) Back Panels.

- 1). Attach (#10) Bottom Back Panel onto both Bottom of Left and Right Side Panels (#1-A2 and #2-A2) and Bottom Panel (#4), line up screw holes, use 7pcs (#41) Screw F to tighten.
- 2). Attach both (#9) Middle Back Panel above (#10) Bottom Back Panel the same way. Place the groove of the (#9) Middle Back Panel onto the top edge of the (#10) Bottom Back Panel, use 16pcs (#41) Screw F to tighten.
- 3). Use 13pcs (#41) Screw F to install (#8) Upper Back Panel the same way.



## Step 9: Install (#12 & #13) Wheels.

- Install the Wheels with Brake (#12) onto the front of the cabinet and screw the Wheels W/O Brake (#13) onto the back of the cabinet. Use 16pcs (#17) Screws D to tighten.



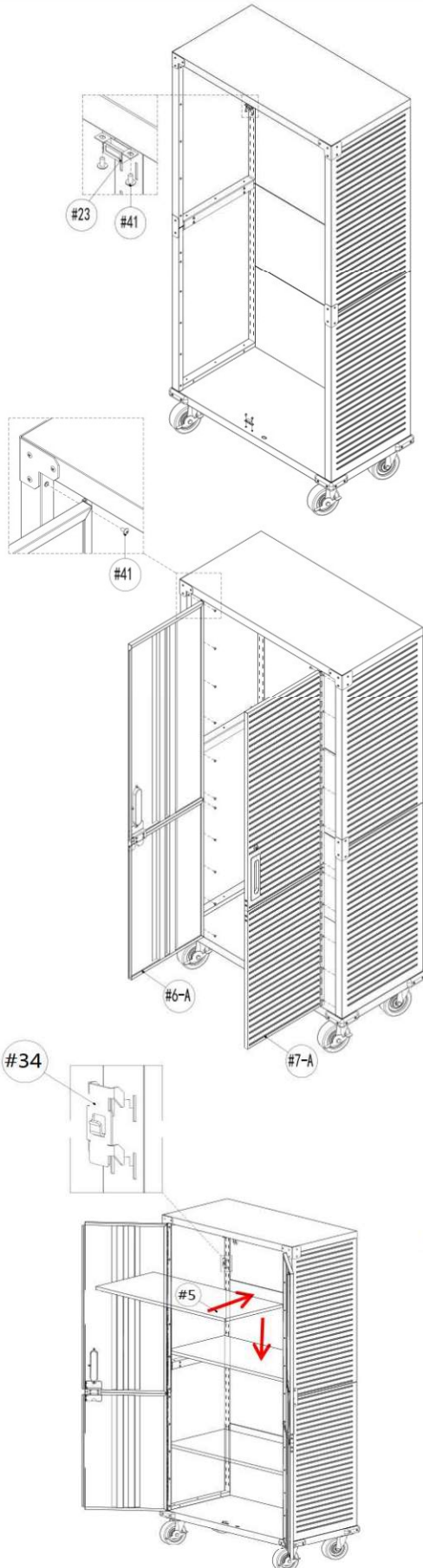
## Step 10: Install (#15-1, #16-1 and #17-1) Corner Protections.

- 1). Attach (#15-1, #16-1) Corner Protection A, B onto Top of the cabinet, use 10pcs (#54) Screw N to tighten.
- 2). Attach (#17-1) Middle Corner Protection to the middle of (#1-A) Left Side Panel and (#2-A) Right Side Panel, use 8pcs (#54) Screw N to tighten.
- 3). Attach (#58) Bumper to the corner of (#4) Bottom panel, use 16pcs (#16) Screw C to tighten.

# UltraHD® Tall Storage Cabinet (Model No. 16236, 20143, 20153, 20133)



\*NOTE: We recommend using TWO people to assemble the cabinet.



## Step 11: Install (#23) Magnet.

Place (#23) Magnet onto (#3) Top Panel and (#4) Bottom Panel facing the front, use 4pcs (#41) Screw F to tighten.

## Step 12: Install (#6-A, #7-A) Left and Right Doors.

1). Attach (#6-A) Left Door to (#1-A) Left Side Panel, use 11pcs (#41) Screw F to tighten.

**Note:** The screw holes on the door hinge have tolerance, enabling the door to be adjusted and centered in the door frame. Place top, middle and bottom Screws first. Don't tighten screws completely - this may save time by avoiding having to make slight adjustments for leveling door panels later.

2). Install (#7-A) Right Door the same way.

## Step 13: Install (#5) Middle Shelves.

1). Decide the height for the each Middle Shelf (#5). Place 1pc of (#34) Hook into the hook slot where each corner of shelf should be placed. Make sure the hooks supporting each shelf are at same height.

**Note:** All (#5) Middle Shelves need a hook at each corner to support it.

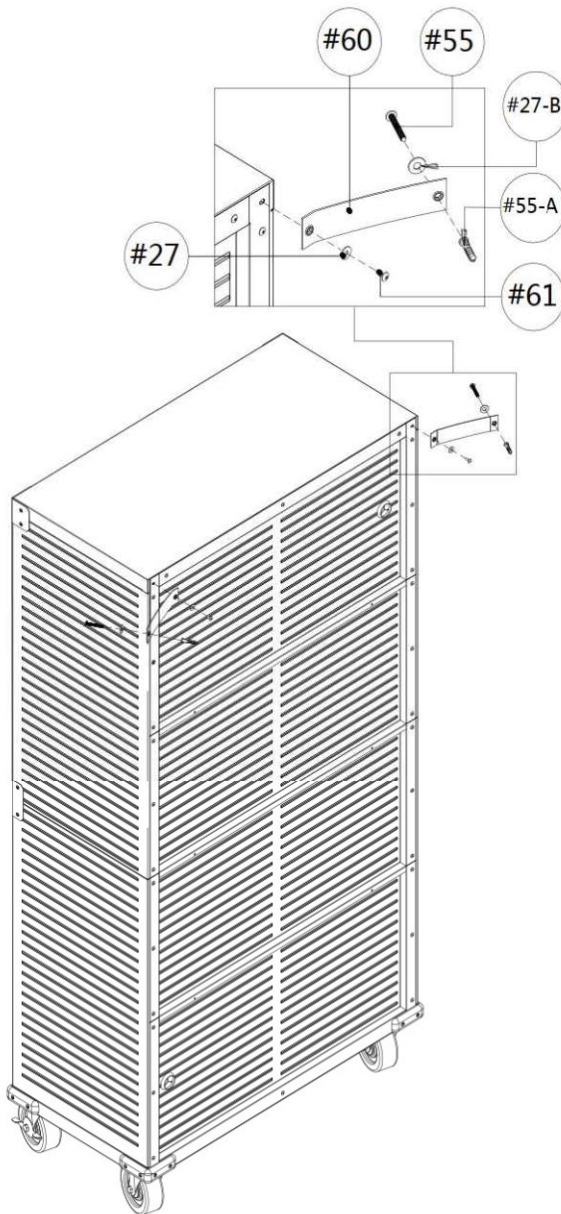
2). Place each (#5) Middle Shelf into cabinet and push down onto (#34) Hooks.

**Note:** 150 lbs. maximum loading for each shelf.

# UltraHD® Tall Storage Cabinet (Model No. 16236, 20143, 20153, 20133)



\*NOTE: We recommend using TWO people to assemble the cabinet.



## Step 14: Install Mounting Strap (#60)

A. Remove 1pc Screw F (#41) from the back panel.

B. Attach the Mounting Strap (#60) to the back panel as the left photo shows using Screw O (#61) and Washer (#27).

C. Drill a hole in the wall with a 5/16" drill bit, insert the Wall Anchor (#55-A) into the hole.

D. Attach the other end of the Mounting Strap (#60) to the wall using Screw M (#55) and Washer (#27-B).

**Repeat steps A through D to install the other mounting strap.**

## UltraHD® Stainless Steel Care Instructions

The stainless steel is protected with UltraGuard® fingerprint resistant finish.

**DO NOT** use traditional stainless-steel cleaners. To safely manage unwanted fingerprints and prevent new stains, perform the following steps once monthly:

- Lightly wipe with warm water and clean microfiber cloth
- Always wipe in the direction of the surface grain (NEVER ACROSS)
- Wipe away excess water with dry clean cloth

## CONTACT INFORMATION

If you are missing any parts, have any questions, or need additional assistance in assembly, please contact our bilingual (English and Spanish) customer service department at:



Seville Classics, Inc.  
19401 Harborage Way Torrance, CA 90501 USA  
Telephone: (800) 323-5565 within USA  
Fax: (310) 533-3899  
Hours: 9:00am - 4:30pm (Pacific Standard Time)  
E-mail: [support@sevilleclassics.com](mailto:support@sevilleclassics.com)  
Website & Online Store: [www.sevilleclassics.com](http://www.sevilleclassics.com)

**\*\*\*Please visit our website or call and inquire about our additional UltraHD Line\*\*\***



# ASSEMBLY INSTRUCTIONS

## UltraHD® Cabinet Stacker

(Model No. WEB346, WEB640, UHD20153T, UHD20133T)

Granite      Graphite      Red      White

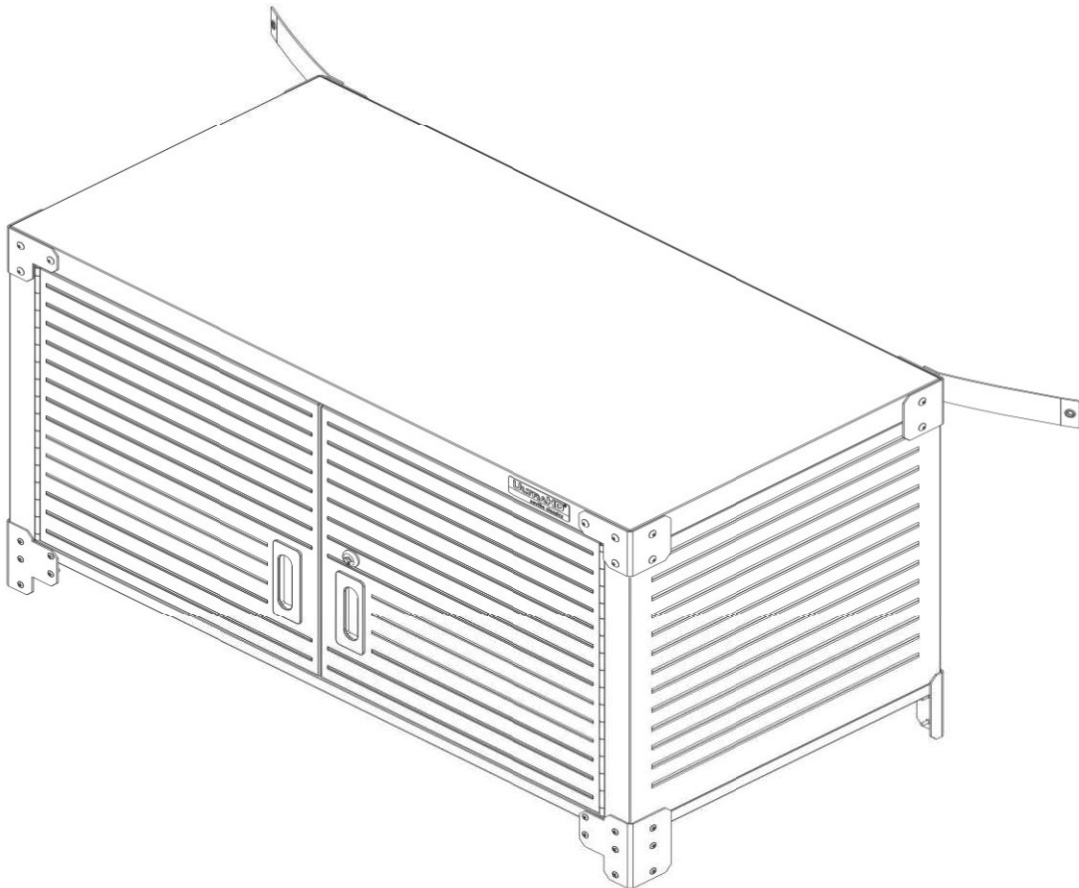
36in. W x 18in. D x 18.5in. H

(91.4cm x 45.7cm x 46.9cm H)

### ULTRAGUARD®

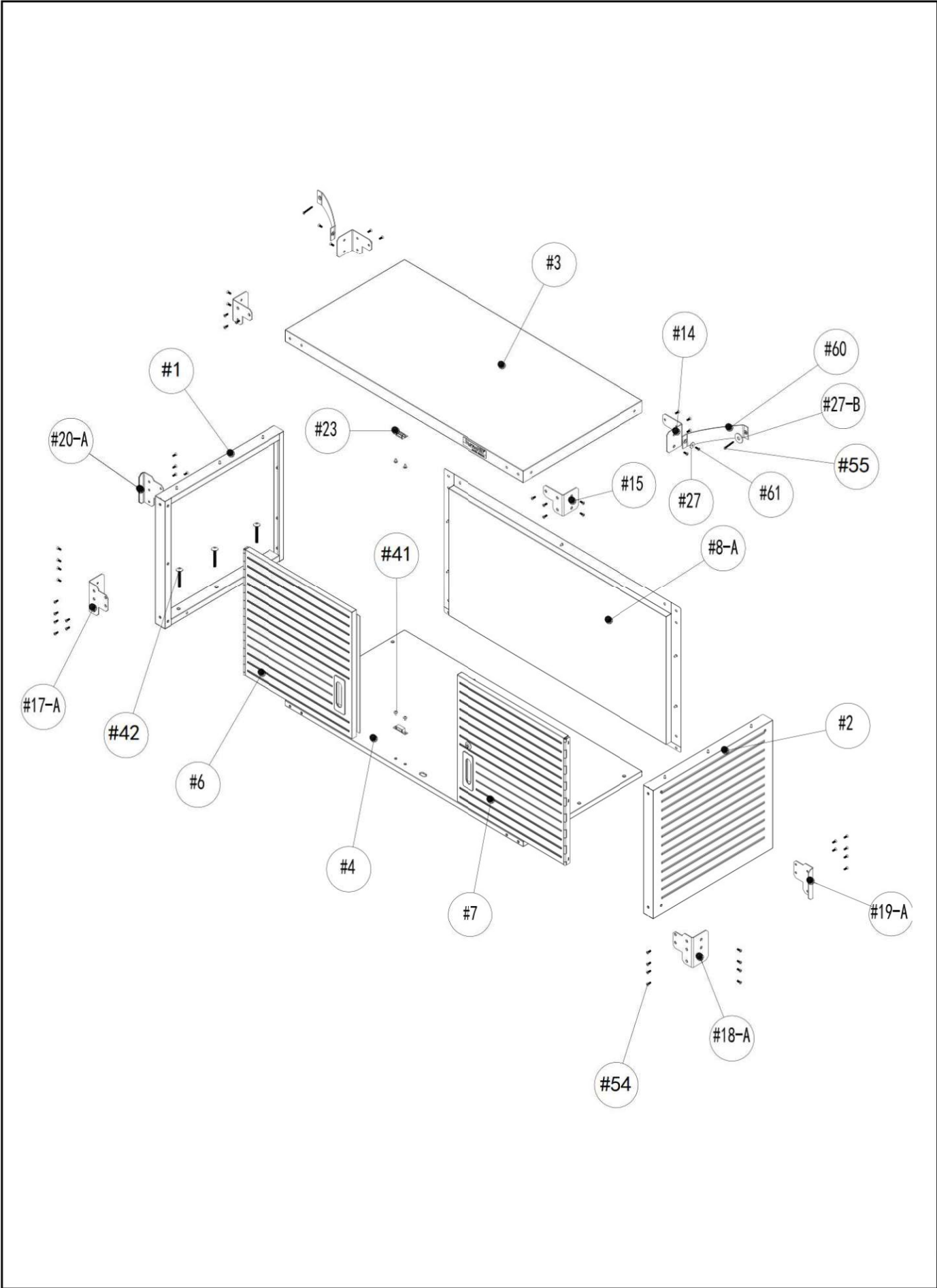
FINGERPRINT RESISTANT SURFACES  
AND INCREASED DURABILITY

Reference page 10 for special care  
and maintenance of stainless steel



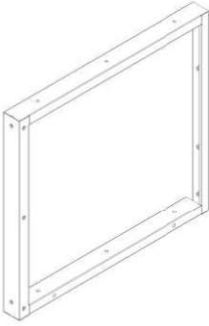


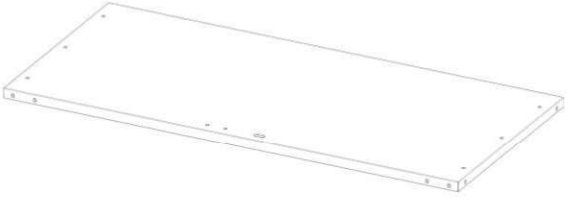



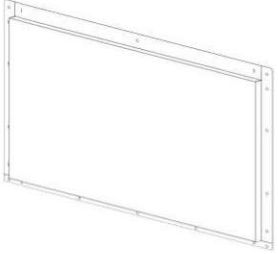
Mounts on top of UHD16236, UHD20143, UHD20153, UHD20133UltraHD Tall Cabinet

Granite      Graphite      Red      White



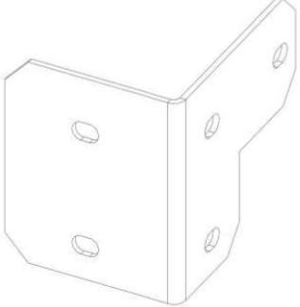
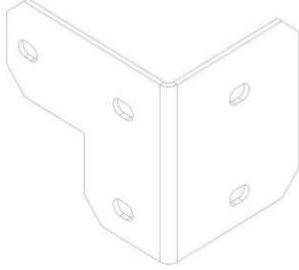
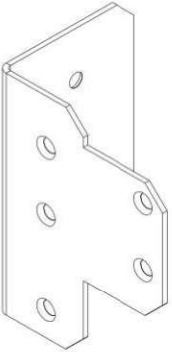
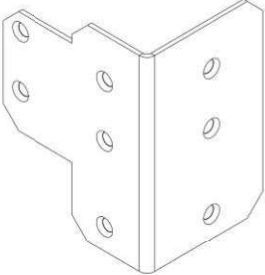
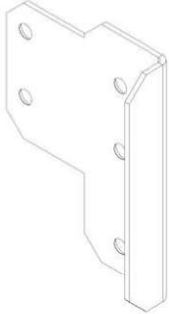
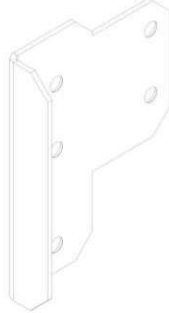


# PARTS LIST

Please check the parts carefully according to the parts list. If you are missing any parts, please call our customer service department (please see page 11.)

	
<p>(#1) Left Panel x 1 PC</p>	<p>(#2) Right Panel x 1 PC</p>
	
<p>(#3) Top Panel x 1 PC</p>	<p>(#4) Bottom Panel x 1 PC</p>
	
<p>(#60) Mounting Strap x 2 PCS</p>	<p>(#6) Left Door x 1 PC</p>
	
<p>(#7) Right Door x 1 PC</p>	<p>(#8-A) Back Panel x 1 PC</p>

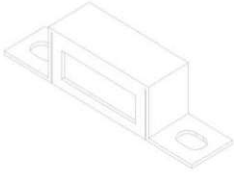
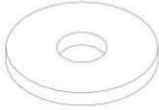






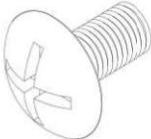
# PARTS LIST

Please check the parts carefully according to the parts list. If you are missing any parts, please call our customer service department (please see page 11.)

 A 3D line drawing of a corner protection part, labeled as part #14. It is an L-shaped metal plate with a total of six circular holes: two on the vertical flange and four on the horizontal flange.	 A 3D line drawing of a corner protection part, labeled as part #15. It is an L-shaped metal plate with a total of six circular holes: two on the horizontal flange and four on the vertical flange.
<p>(#14) Corner Protection A x 2 PCS</p>	<p>(#15) Corner Protection B x 2 PCS</p>
 A 3D line drawing of a left front bottom corner protection part, labeled as part #17-A. It is a vertical metal plate with a notch at the top and a protrusion at the bottom, featuring four circular holes.	 A 3D line drawing of a right front bottom corner protection part, labeled as part #18-A. It is a vertical metal plate with a notch at the top and a protrusion at the bottom, featuring four circular holes.
<p>(#17-A) Left Front Bottom Corner Protection x 1 PC</p>	<p>(#18-A) Right Front Bottom Corner Protection x 1 PC</p>
 A 3D line drawing of a right back bottom corner protection part, labeled as part #19-A. It is a vertical metal plate with a notch at the top and a protrusion at the bottom, featuring four circular holes.	 A 3D line drawing of a left back bottom corner protection part, labeled as part #20-A. It is a vertical metal plate with a notch at the top and a protrusion at the bottom, featuring four circular holes.
<p>(#19-A) Right Back Bottom Corner Protection x 1 PC</p>	<p>(#20-A) Left Back Bottom Corner Protection x 1 PC</p>
 A 3D line drawing of a screwdriver with a long handle and a pointed tip.	 A 3D line drawing of a key with a circular head and a notched blade.
<p>(#21) Screw Driver x 1 PC</p>	<p>(#22) KEY x 2 PCS</p>

# PARTS LIST

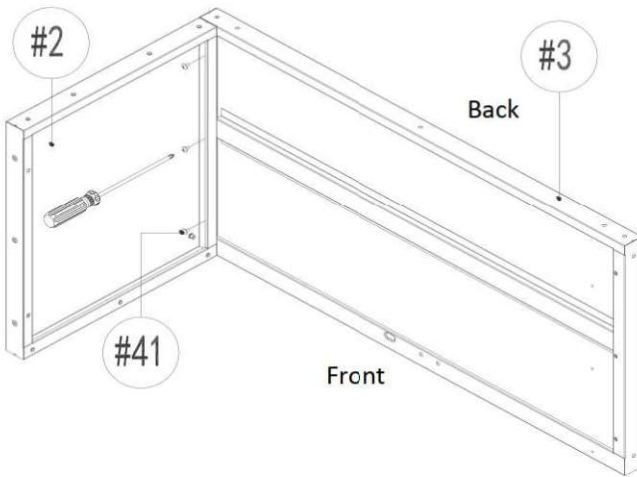
Please check the parts carefully according to the parts list. If you are missing any parts, please call our customer service department (please see page 11.)

	
(#23) Magnet x 2 PCS	(#27) WASHER (M4) x 2 PCS
	
(#27-B) WASHER (M8)x 2 PCS	(#41) Screw F (M4 x 8L) x 46 PCS
	
(#42) Screw G (M4 x 30L) x 6 PCS	(#54) Screw N (M4 x 10L) x 26 PCS
	
(#55) Screw M (M6 x 50L) x 2 PCS	(#55-A) Wall Anchor x 2 PCS
	
(#61) Screw O (M4 x 12L) x 2 PCS	

# UltraHD® Cabinet Stacker (Model No. WEB346, WEB640, UHD20153T, UHD20133T)



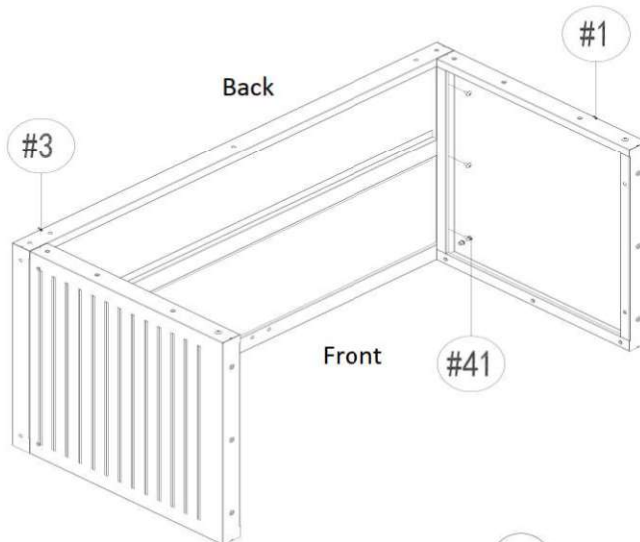
\*NOTE: We recommend using TWO people to assemble the cabinet\*



**TIP: A magnetic screwdriver is included for your convenience. If a power screwdriver is used, keep on a low torque setting.**

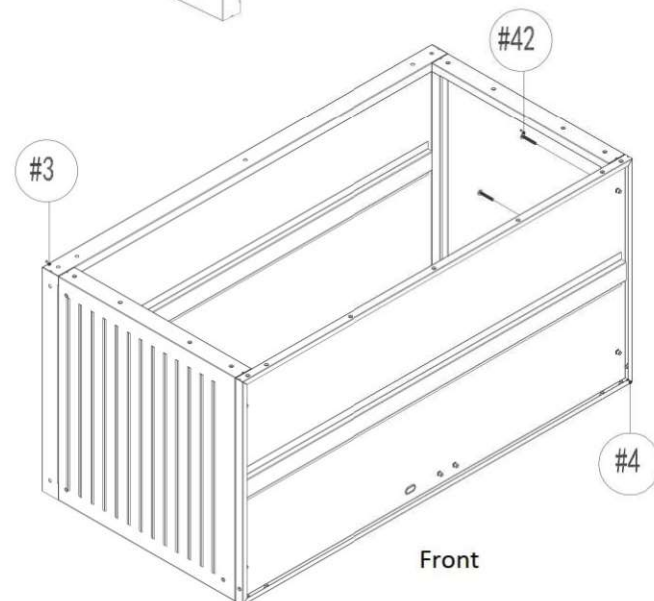
## Step 1: Install Right Panel (#2) to the Top Panel (#3)

Place the Right Panel (#2) on the ground vertically. Make sure the front of the panel faces downward. Place the Top Panel (#3) next to the Right Panel (#2). Line up the screw holes, use 3 pcs of Screw F (#41) to tighten.



## Step 2: Install Left Panel (#1)

Place the Top Panel (#3) and Left Panel (#1) vertically. Line up the screw holes, use 3 pcs of Screw F (#41) to tighten.



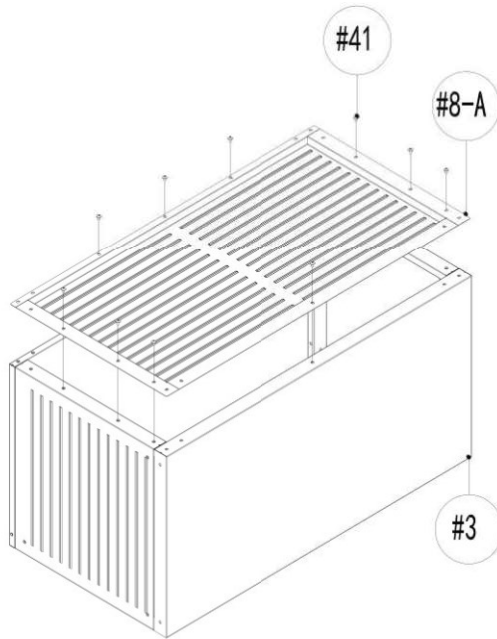
## Step 3: Install Bottom Panel (#4).

Attach the Bottom Panel (#4) to the Left and Right Side Panels (#1 and #2). Make sure the front of the panel faces downward. Use 6 pcs Screws G (#42) to assemble the panels.

# UltraHD® Cabinet Stacker (Model No. WEB346, WEB640, UHD20153T, UHD20133T)

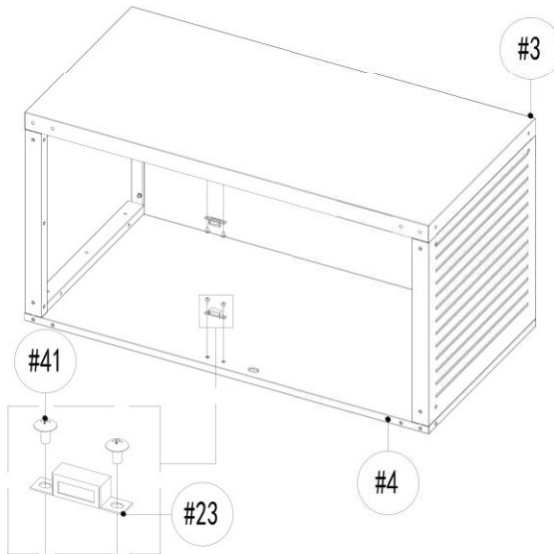


\*NOTE: We recommend using TWO people to assemble the cabinet\*



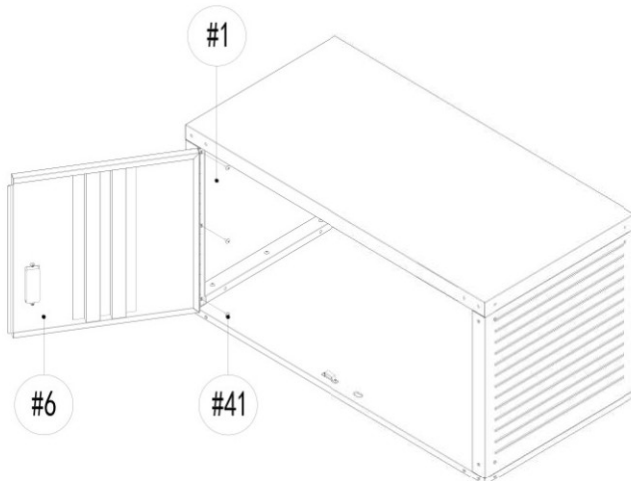
## Step 4: Install Back Panel (#8-A).

Place the Back Panel (#8-A) onto both Left and Right Side Panels (#1 and # 2) and Top and Bottom Panel (#3 and 4). Use the 10 pcs of Screw F (#41) to tighten.



## Step 5: Install Magnet (#23)

Use 4 pcs of Screw F (#41) to install the Magnet (#23) on the Top Panel (#3) and the Bottom Panel (#4).



## Step 6: Install Left Door (#6)

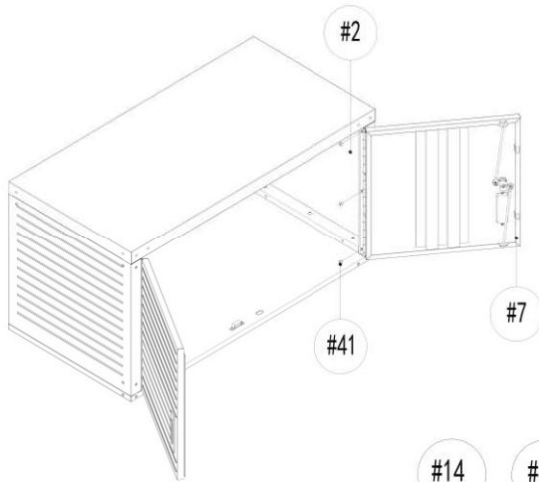
Attach the Left Door (#6) to the Left Panel (#1). Use 3 pcs Screw F (#41) to tighten the Door Panel.

Note: The screw holes on the door hinge have tolerance, enabling the door to be adjusted and centered in the door frame.

# UltraHD® Cabinet Stacker (Model No. WEB346, WEB640, UHD20153T, UHD20133T)



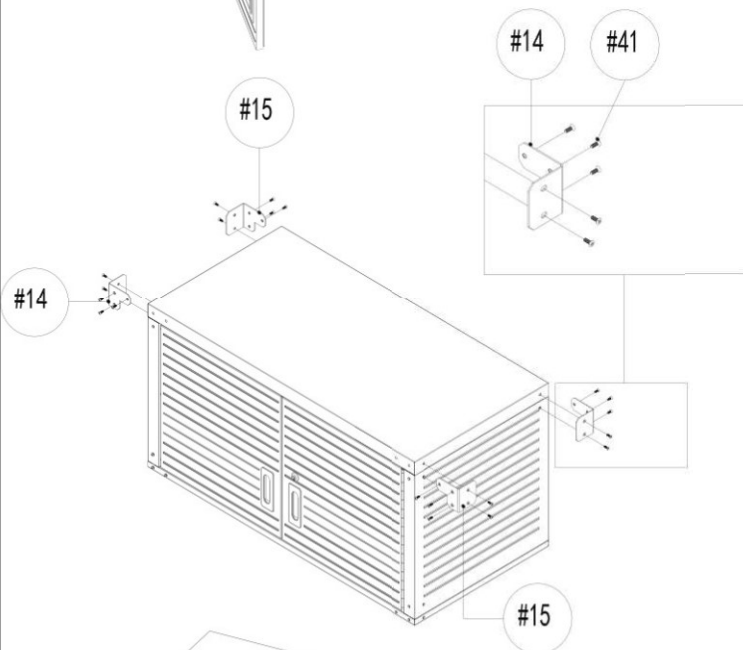
\*NOTE: We recommend using TWO people to assemble the cabinet\*



## Step 7: Install Right Door (#7)

Attach the Right Door (#7) to the Right Panel (#2). Use 3 pcs Screw F (#41) to tighten the Door Panel.

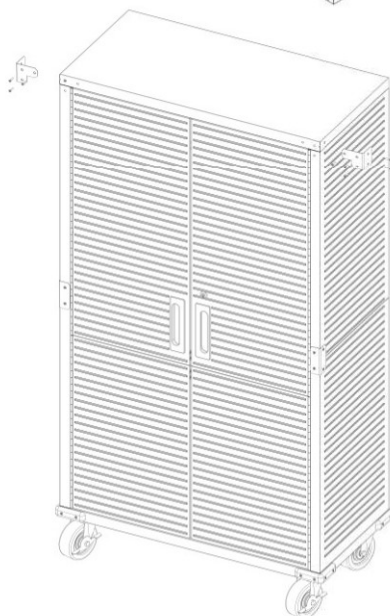
Note: The screw holes on the door hinge have tolerance, enabling the door to be adjusted and centered in the door frame.



## Step 8: Install the Corner Protection A&B (#14&15)

Use 20 pcs of Screws F (#41) to install the Corner Protection A and B (#14 and #15) onto the top of the cabinet.

**Note Fully tighten the screws after all the corner protections are attached.**

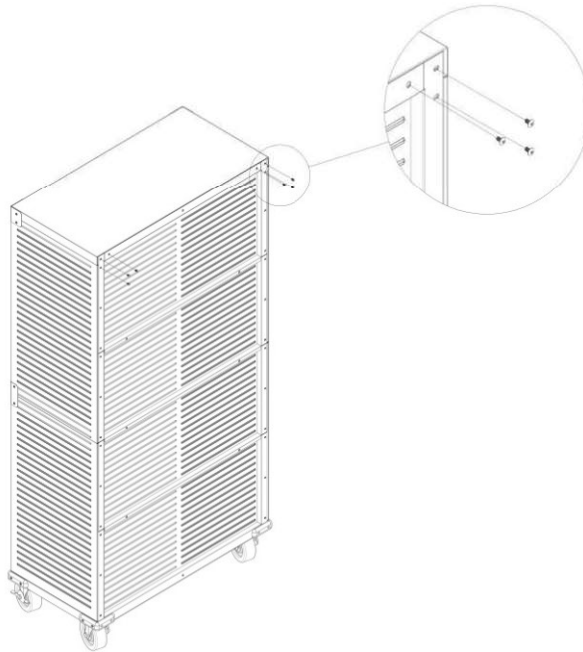


**Step 9: Remove the top Corner Protection brackets from Model No. 16236 /20143B Tall Cabinet as the left photo shows.**

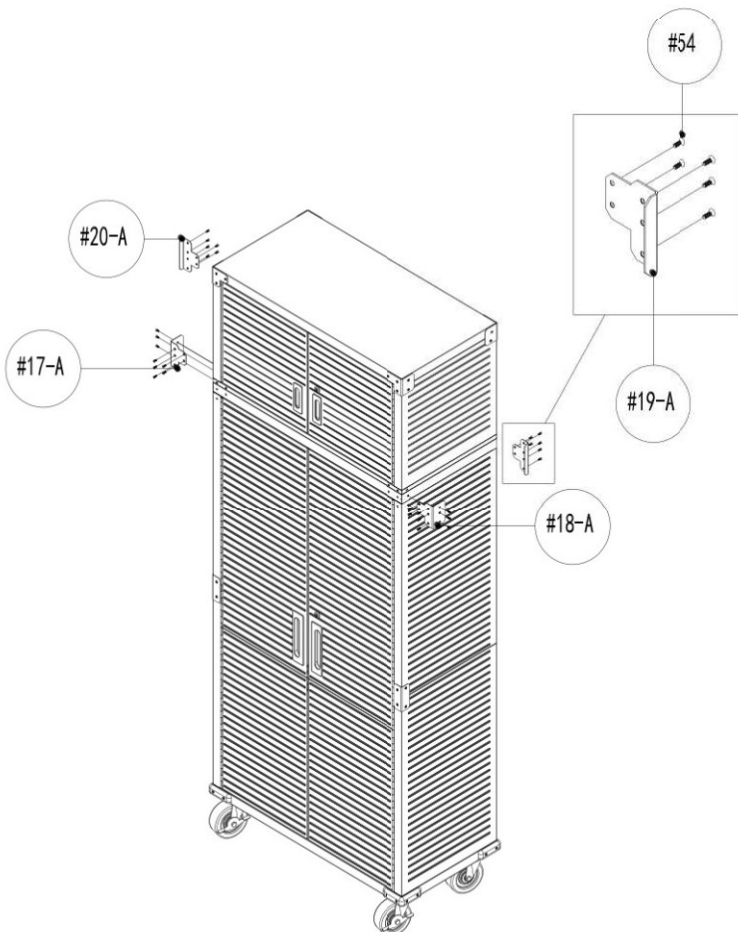
# UltraHD® Cabinet Stacker (Model No. WEB346, WEB640, UHD20153T, UHD20133T)



\*NOTE: We recommend using TWO people to assemble the cabinet\*



**Step 10: Remove the 6 corner screws from the top back panel of 16236.**



**Step 11: Attach Cabinet Stacker Model No. WEB346**

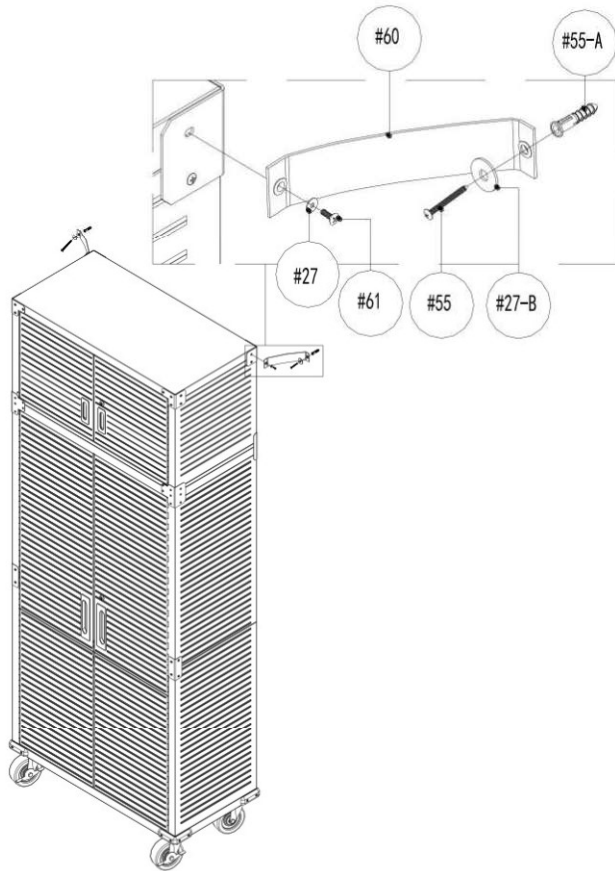
A. Place Cabinet Stacker Model No. WEB346 / WEB640 on top of 16236 / 20143B.

B. Attach the Left Front Bottom Corner Protection (#17-A), Right Front Bottom Corner Protection (#18-A), Right Back Bottom Corner Protection (#19-A), Left Back Bottom Corner Protection (#20-A) on the bottom of the cabinet, use 26 pcs of Screw N (#54) to tighten.

# UltraHD® Cabinet Stacker (Model No. WEB346, WEB640, UHD20153T, UHD20133T)



**\*NOTE: We recommend using TWO people to assemble the cabinet\***



## Step 12: Install Mounting Strap (#60)

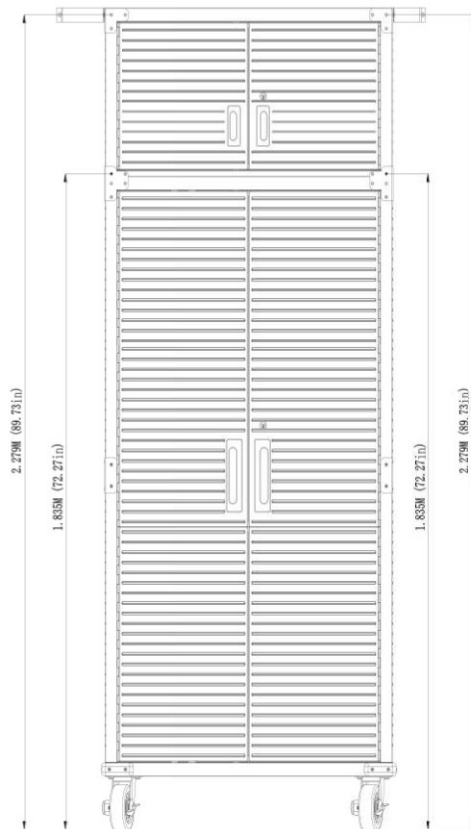
A. Remove 1 pc Screw F (#41) from the back corner protection.

B. Attach the Mounting Strap (#60) to the back Corner Protection brackets as the left photo shows using Screw O (#61) and Washer (#27).

C. Drill a hole in the wall with a 5/16" drill bit, insert the Wall Anchor (#55-A) into the hole.

D. Attach the other end of the Mounting Strap (#60) to the wall using Screw M (#55) and Washer (#27-B).

**Repeat steps A through D to install the other mounting strap.**




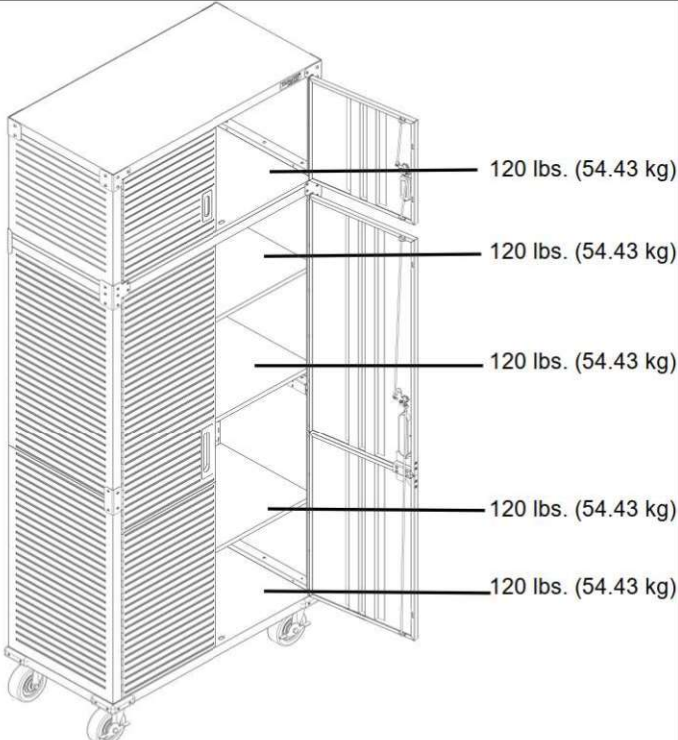
**Warning: To prevent possible tipping, it is suggested that the Mounting Straps be installed. For safety, secure the mounting straps to wood studs whenever possible.**

# UltraHD® Cabinet Stacker (Model No. WEB346, WEB640, UHD20153T, UHD20133T)



**\*NOTE: We recommend using TWO people to assemble the cabinet\***



Total Weight Capacity Stand Alone Unit - Not mounted Evenly Distributed	Total Weight Capacity Mounted on Compatible Cabinet on Wheels Evenly Distributed
300 lbs. (136.08 kg)	600 lbs. (272.16 kg)
	

### **Stainless Steel Maintenance:**

These parts have an UltraGuard® fingerprint resistant finish. Do not use traditional stainless steel cleaners on this unit. Lightly wipe off once a month with clean warm water and a soft cloth (preferably a micro fiber cloth). This is the safest formula to prevent new stains from appearing over time and manage unwanted fingerprints or grease marks. Remember to always wipe in the direction of the surface grain (NEVER ACROSS) and always use a lint-free cloth. Once the surface is clean, thoroughly wipe dry with a soft absorbent cloth.



## ASSEMBLY INSTRUCTIONS

UltraHD® Wall Cabinet (Model No. 20229, 20031, 20032, 20033)

Granite Graphite Red White

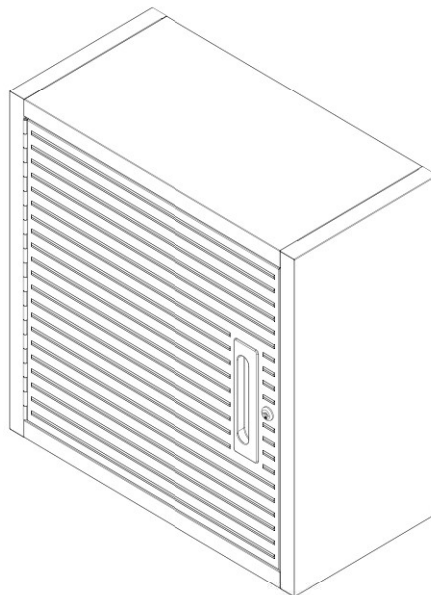
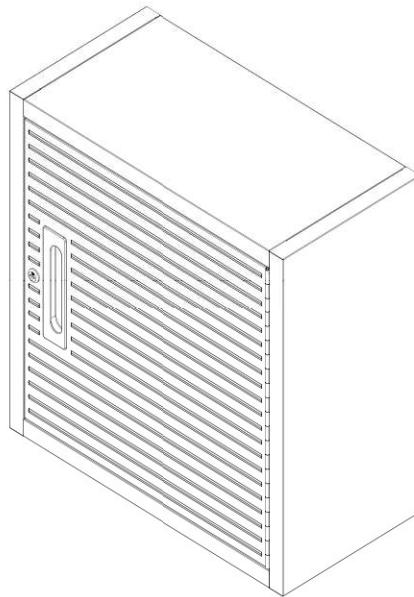
24 in. W x 12 in. D x 24 in. H

60.96 cm W x 30.47 cm D x 60.96 cm H

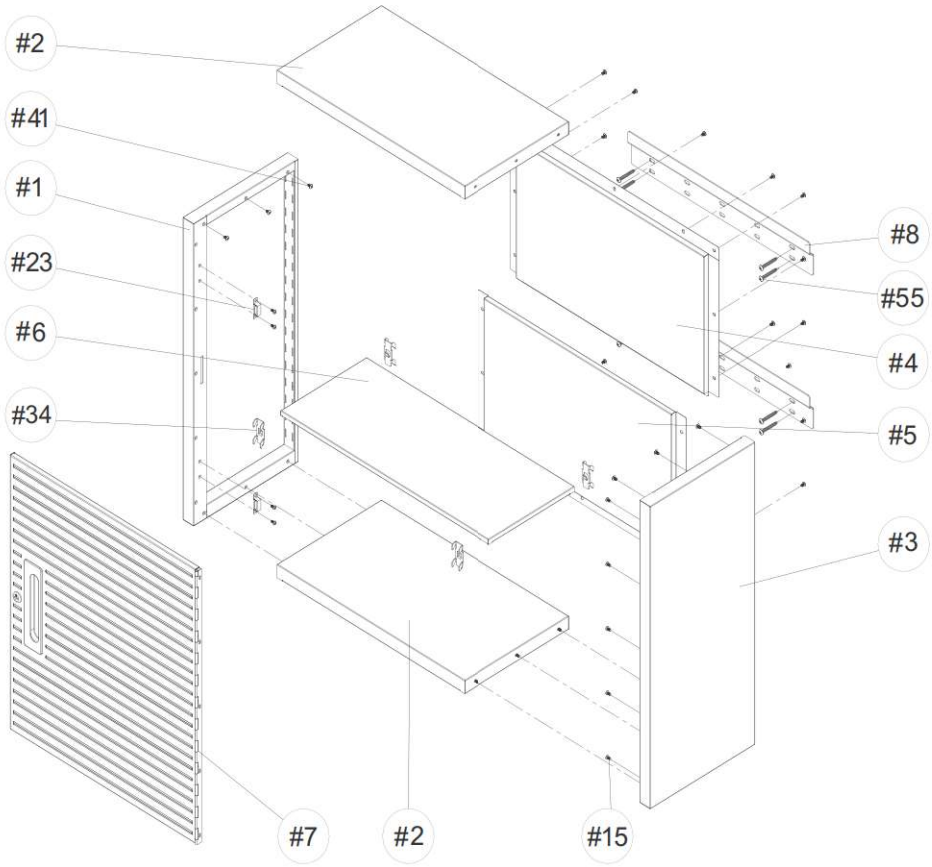
**ULTRAGUARD®**

FINGERPRINT RESISTANT SURFACES  
AND INCREASED DURABILITY

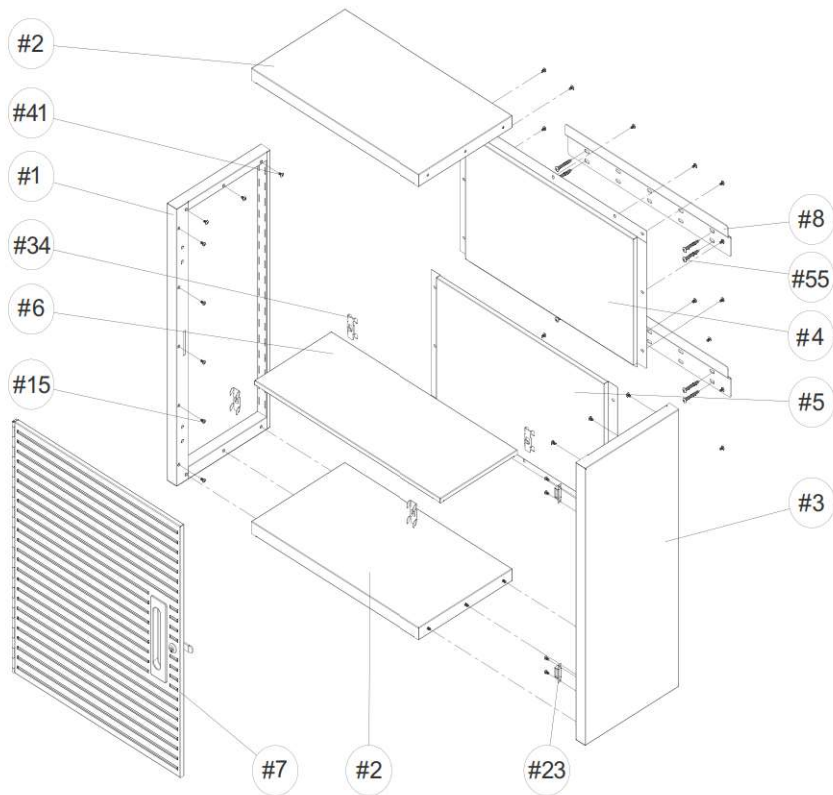
Reference page 9 for special care and  
maintenance of stainless steel



**For Door Handle on LEFT Side**


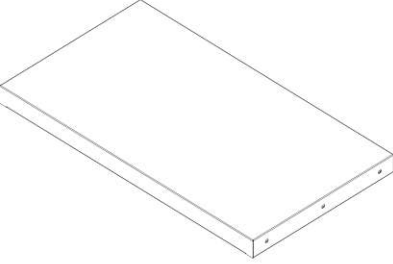

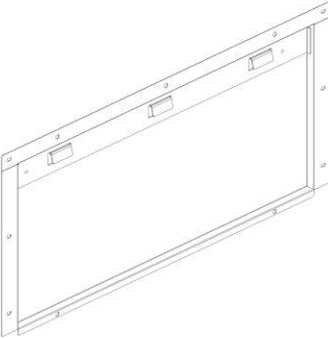
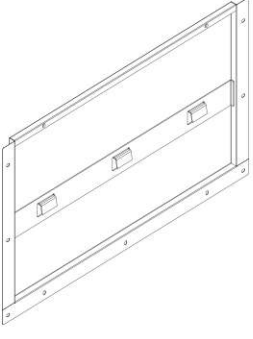
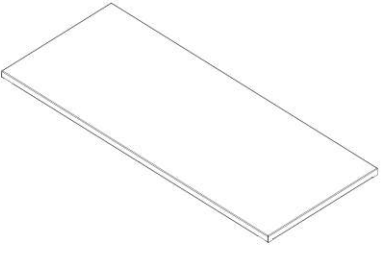
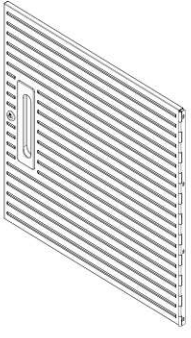
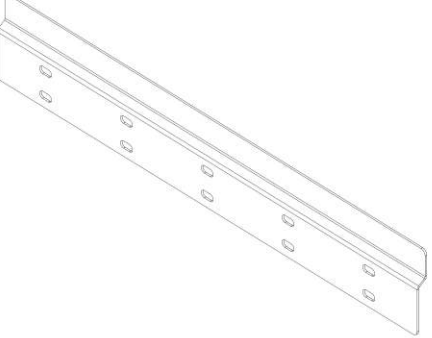


**For Door Handle on RIGHT Side**



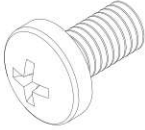
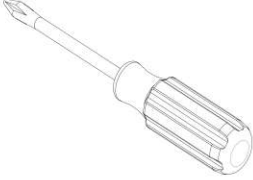
# PARTS LIST

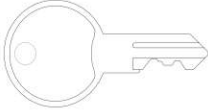
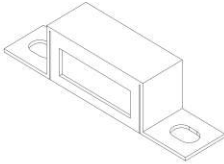
Please check the parts carefully according to the parts list. If you are missing any parts, please contact our customer service department (please refer to page 10).

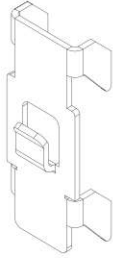
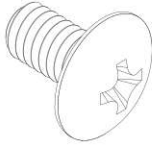
	
<p>(#1) LEFT PANEL x 1 PC</p>	<p>(#2) TOP / BOTTOM PANEL (Both panels are same) x 2 PCS</p>
	
<p>(#3) RIGHT PANEL x 1 PC</p>	<p>(#4) UPPER BACK PANEL x 1 PC</p>
	
<p>(#5) BOTTOM BACK PANEL x 1 PC</p>	<p>(#6) MIDDLE SHELF x 1 PC</p>
	
<p>(#7) LEFT / RIGHT DOOR x 1 PC</p>	<p>(#8) WALL-HANGING BRACKET x 2 PCS</p>


# PARTS LIST

Please check the parts carefully according to the parts list. If you are missing any parts, please contact our customer service department (please refer to page 10).

	
(#15) SCREW B (M4 x 8L) x 8 PCS	(#21-A) SCREW DRIVER x 1 PC

	
(#22) KEY x 2 PCS	(#23) MAGNET x 2 PCS

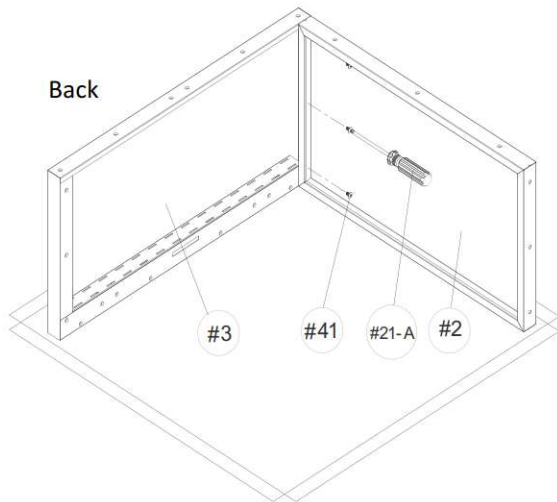
	
(#34) HOOK x 4 PCS	(#41) SCREW F (M4 x 8L) x 32 PCS


(#55) SCREW M (M6 x 50L) x 8 PCS

# UltraHD® Wall Cabinet (Model No. 20229, 20031, 20032, 20033)



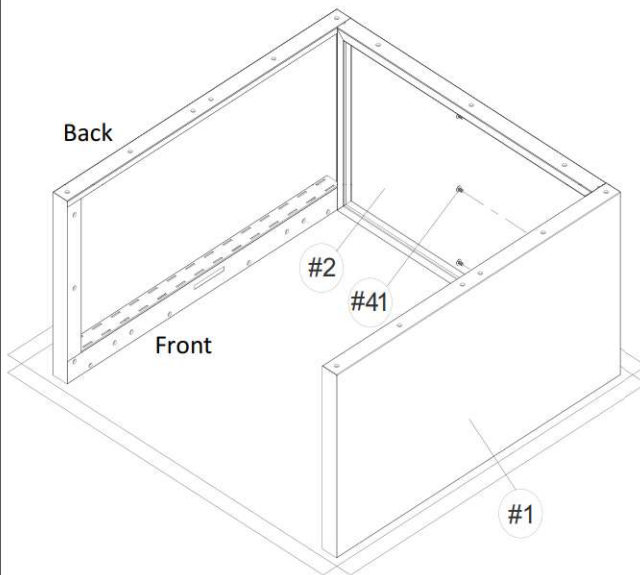
\*NOTE: We recommend TWO people to assemble the cabinet.



**TIP: TIP: A magnetic screwdriver is included for convenience. If using a power screwdriver, keep torque setting LOW.**

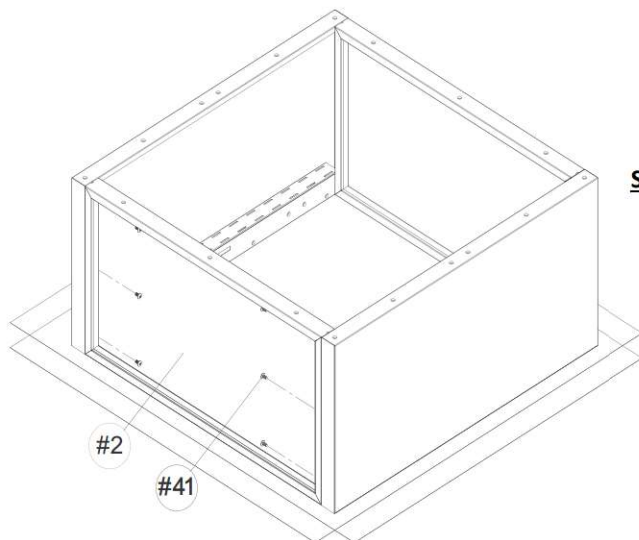
## **Step 1: Install the Right Panel (#3) onto the Top Panel (#2).**

- A.** Attach the Right Panel (#3) to the Top Panel (#2) as the left picture shows. Line up screw holes and tighten them using Screwdriver (#21-A) and Screw F (#41).



**Install the Left Panel (#1) onto the Top Panel (#2) the same way.**

- B.** Attach the Left Panel (#1) to the Top Panel (#2) as the left picture shows. Line up screw holes and tighten them using Screwdriver (#21-A) and Screw F (#41).



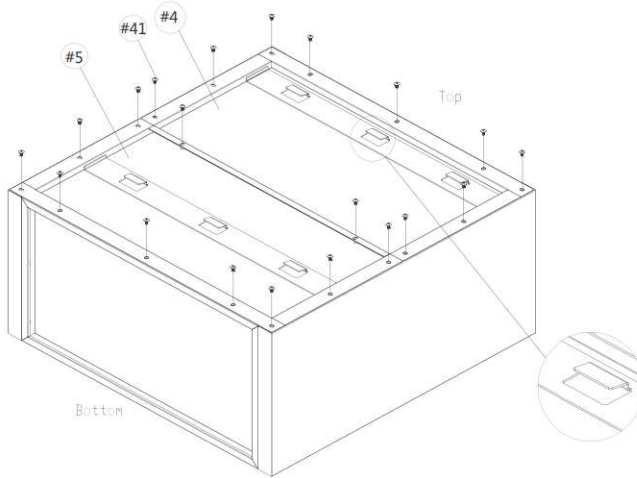
## **Step 2: Install Bottom Panel (#2).**

Attach Bottom Panel (#2) between the Left Panel (#1) and Right Panel (#3) as the left side picture shows. Line up screw holes and tighten them using Screwdriver (#21-A) and Screw F (#41).

# UltraHD® Wall Cabinet (Model No. 20229, 20031, 20032, 20033)

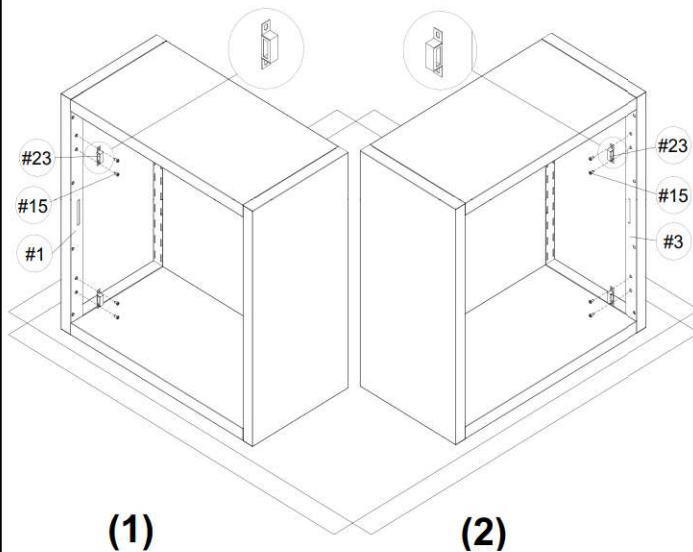


\*NOTE: We recommend TWO people to assemble the cabinet.



## Step 3: Install the Bottom Back Panel (#5) and Upper Back Panel (#4).

First place the Bottom Back Panel (#5) onto the Left Panel (#1), Right Panel (#3) and Bottom Panel (#2) as the left picture shows. Now place the Upper Back Panel (#4) onto the Left Panel (#1), Right Panel (#3) and Upper Back Panel (4). Line up screw holes and tighten them using Screwdriver (#21-A) and Screw F (#41).

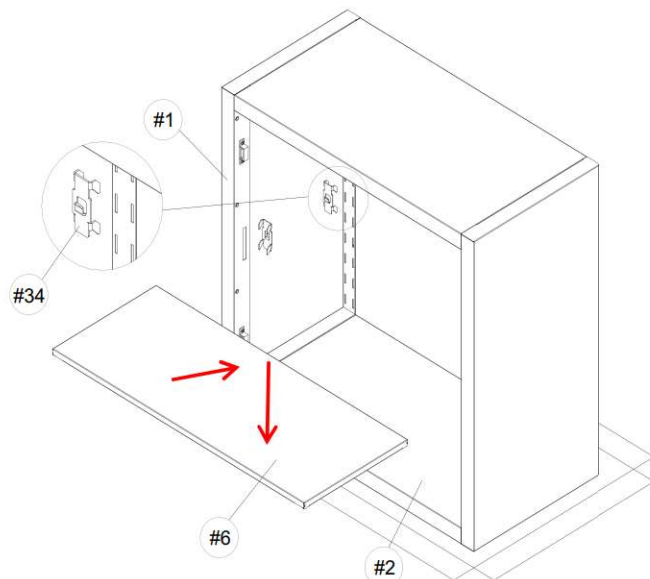


## Step 4: Fasten the Magnet (#23).

**Note: Decide the door's opening direction.**

Stand up the cabinet like the left diagram (1) shows to have the door handle on the left. Fasten Magnet (#23) to the Left Panel (#1) using Screwdriver (#21-A) and Screw B (#15).

Stand up the cabinet like the right diagram (2) shows to have the door handle on the right. Fasten Magnet (#23) to the Right Panel (#3) using Screwdriver (#21-A) and Screw B (#15).



## Step 5: Install the Middle shelf (#6).

**A.** Decide the height for the Middle Shelf (#6), place the Hooks (#34) into the hook slots and push down.

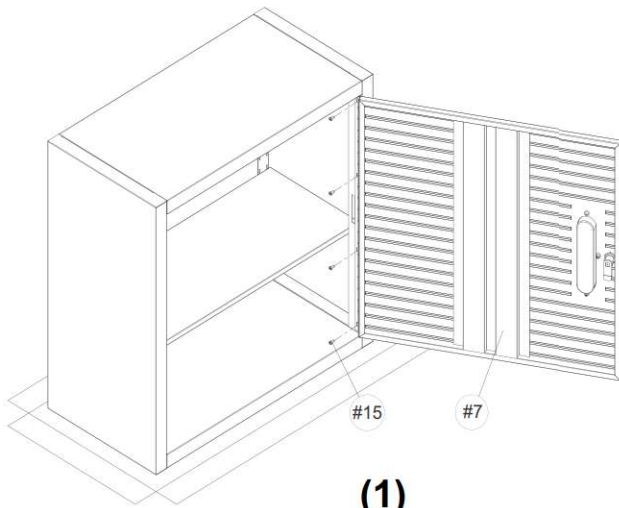
**Note:** The Middle Shelf (#6) needs the 4 hooks at each corner for support. When placing the hooks, make sure they are at the same height.

**B.** Place the Middle Shelf (#6) into the cabinet and push down onto the Hooks (#34).

# UltraHD® Wall Cabinet (Model No. 20229, 20031, 20032, 20033)

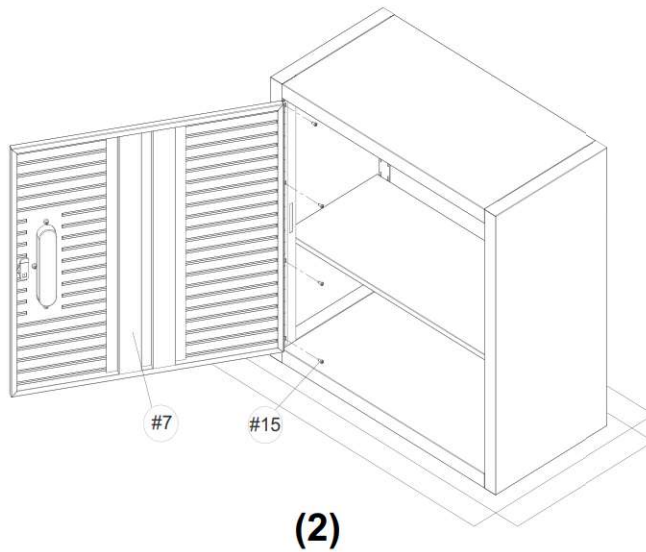


**\*NOTE:** We recommend TWO people to assemble the cabinet.



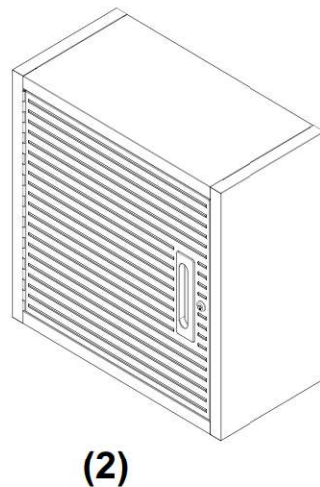
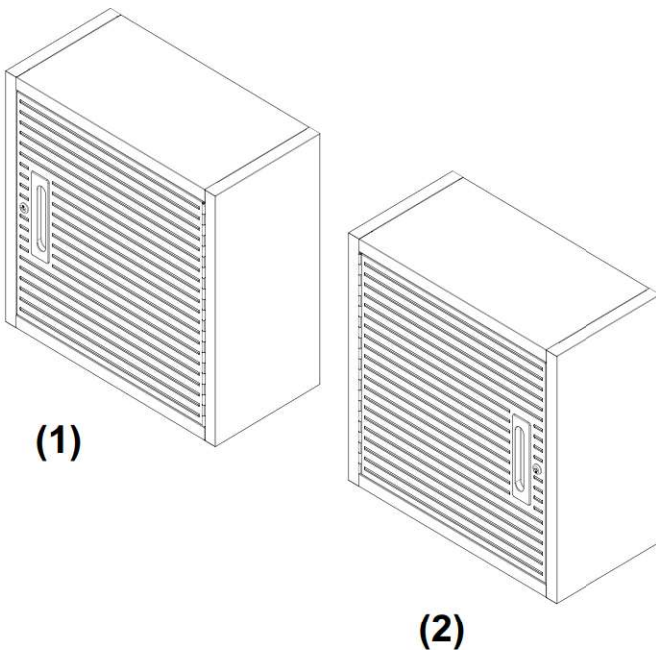
## Step 6: Install the Door (#7).

Attach the Door (#7) to the unit. Line up screw holes and tighten them using Screwdriver (#21-A) and Screw B (#15).



## Step 7: Complete Assembled Cabinet.

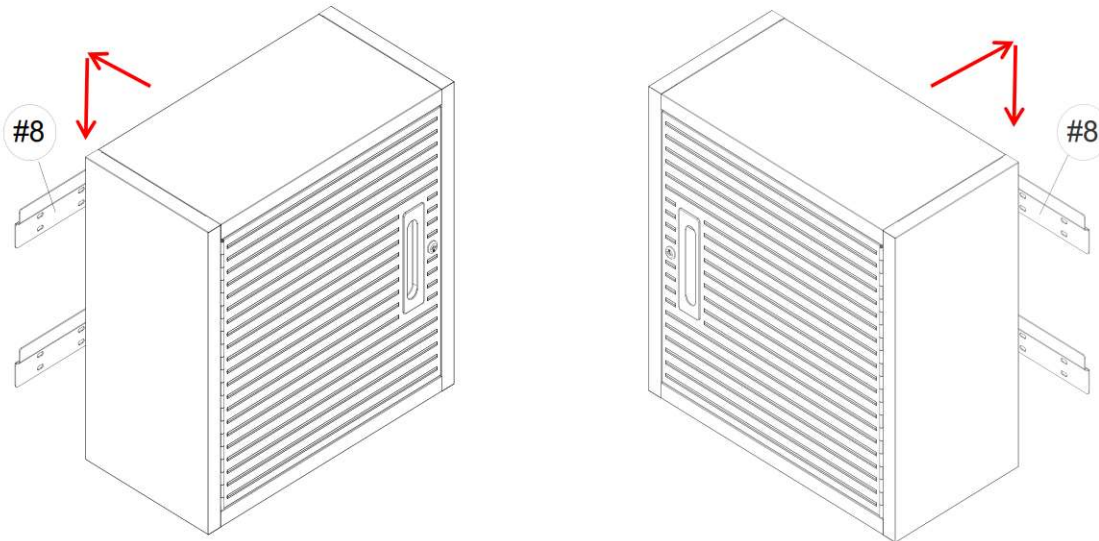
- a. Left Side Door (1)
- b. Right Side Door (2)



## UltraHD® Wall Cabinet (Model No. 20229, 20031, 20032, 20033)



\*NOTE: We recommend TWO people to assemble the cabinet.

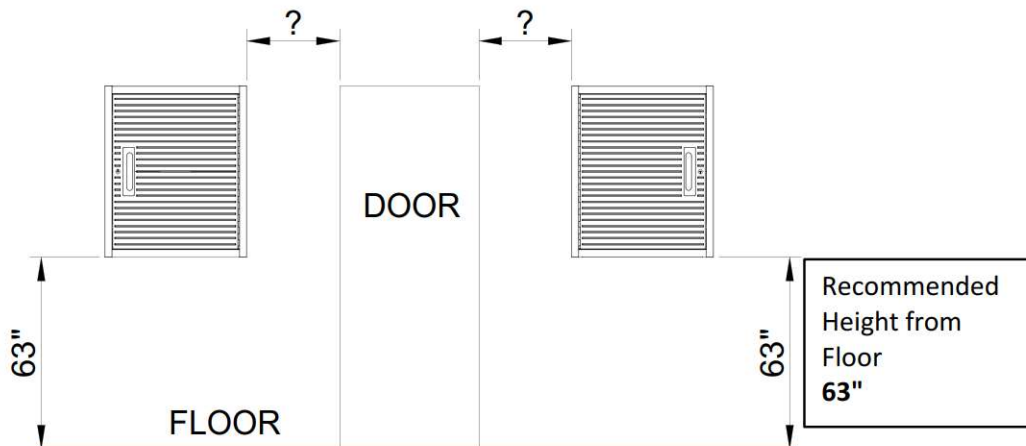


Use the Installation Guide on pages 7 and 8 to secure the two Wall-Hanging Brackets (#8) to the wall. Lift the wall cabinet up and hook its tongues (located on the back panels) over the Wall-Hanging Brackets. Assure all tongues hook securely over both Wall-Hanging Brackets. Please refer to the pictures on pages 8 and 9.

### Installation Guide for the WALL-HANGING BRACKET of the UltraHD® Wall Cabinet (Model No. 20229, 20031, 20032, 20033)

A. Decide where to hang the Wall Cabinet.

**Note:** We recommend that the cabinet be hung such that the bottom of the cabinet rests approx. 63" above the floor.



B. Start from one side of desired location to find the 1st stud location for installing the Wall-Hanging Brackets (#8). Use a stud finder to locate the stud and use a pencil to mark the center of the stud.

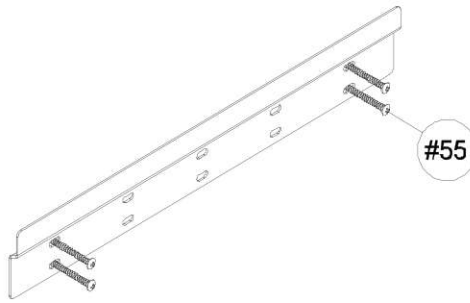
C. Locate the 2nd stud 16" from either side of the 1st stud location.

**Note:** The distance between two studs is normally 16" (center to center).

## UltraHD® Wall Cabinet (Model No. 20229, 20031, 20032, 20033)

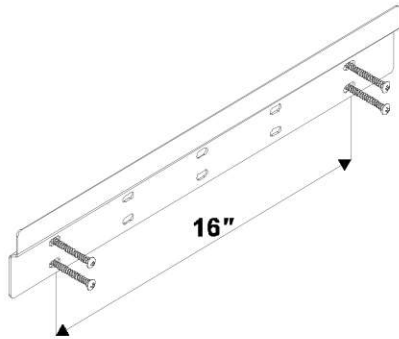


\*NOTE: We recommend TWO people to assemble the cabinet.



\*Drill a small hole (1/4" diameter) at both stud locations to ensure that the hanging anchor is secured.

D. To find the rest of the screw holes to fasten the Wall-Hanging Brackets, please refer to the accompanying shop drawing. Place the shop drawing on the wall, and align the holes in the drawing with those already drilled in the wall.

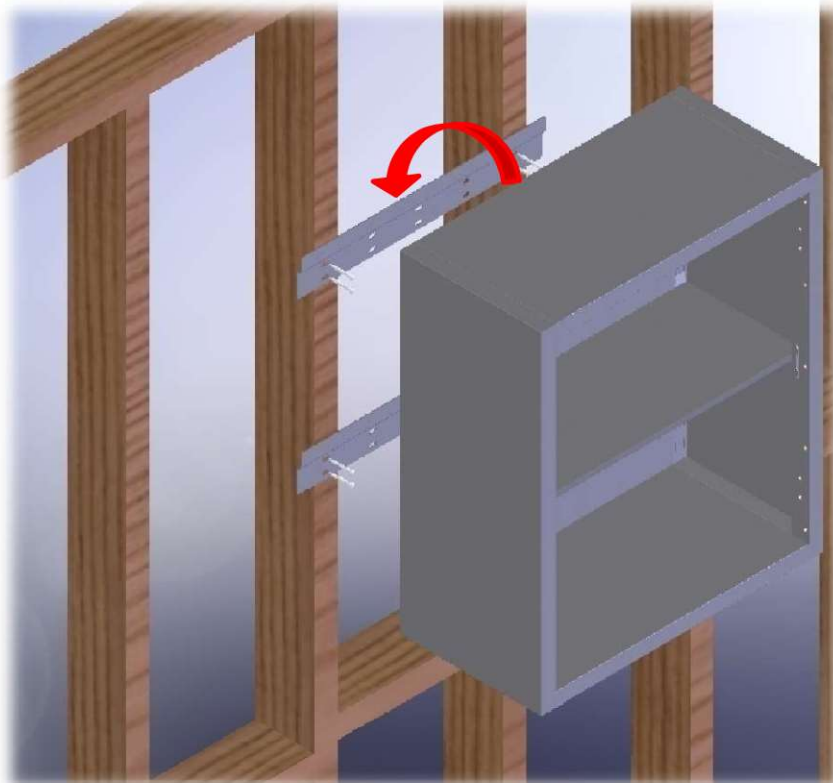


**Note:** The shop drawing shows the actual size of the Wall Cabinet (24" by 24") and indicates the locations of the holes on the Wall-Hanging Brackets. You may also want to temporarily tape the drawing to the wall for marking the locations of the screws. Use a small nail to penetrate the shop drawing and mark the eight points to fasten the Wall-Hanging Bracket. After marking locations, pre-drill a small hole (1/4" diameter) at each of the eight hole locations.

E. Use Screw M (#55) to fasten Wall-Hanging Brackets (#8). Hang the unit on the Wall-Hanging Brackets (#8) as following pictures show.

The wall cabinet can also be mounted on a brick, masonry, or basement block wall using the correct concrete wall anchors and screw set. Each wall anchor must support up to 25 lbs loading capacity.

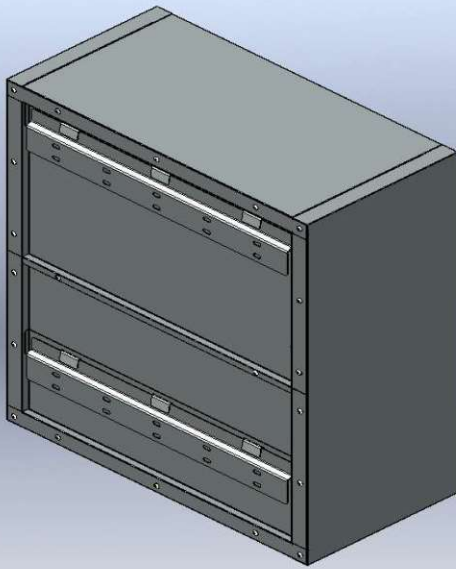
### Hang Wall Cabinet Wall-Hanging Brackets



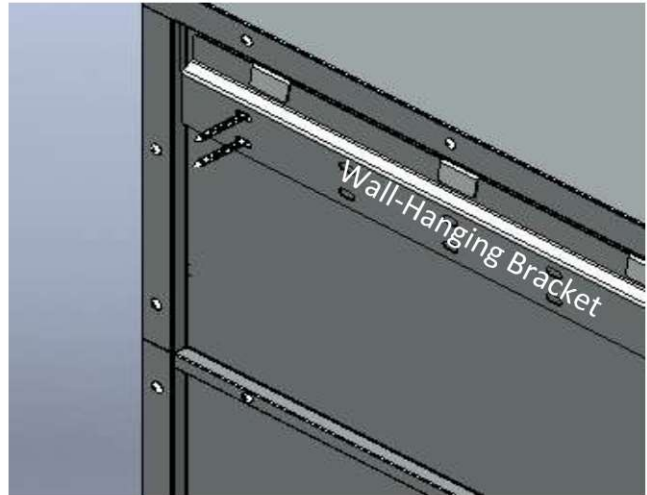
## UltraHD® Wall Cabinet (Model No. 20229, 20031, 20032, 20033)



\*NOTE: We recommend TWO people to assemble the cabinet.



Back Panel View of Wall Cabinet shows 6 flat hooks that allow the Cabinet to hang on two Wall-Hanging Brackets.



Close-up view of how the Wall-Hanging Brackets fit with the 6 flat hooks on the back of the cabinet.

Total Weight Capacity Evenly Distributed
250 lbs. (113.4 kg)

### UltraHD® Stainless Steel Care Instructions

The stainless-steel parts of this product are protected with an UltraGuard® fingerprint resistant finish.

**DO NOT** use traditional stainless-steel cleaners. To safely manage unwanted fingerprints and prevent new stains, perform the following steps once monthly:

- Lightly wipe with warm water and clean microfiber cloth
- Always wipe in the direction of the surface grain (NEVER ACROSS)
- Wipe away excess water with dry clean cloth



## ASSEMBLY INSTRUCTIONS

### UltraHD® 2-Door Rolling Workbench

(Model No. 20262, 20142, 20152, 20132)

Granite Graphite Red White

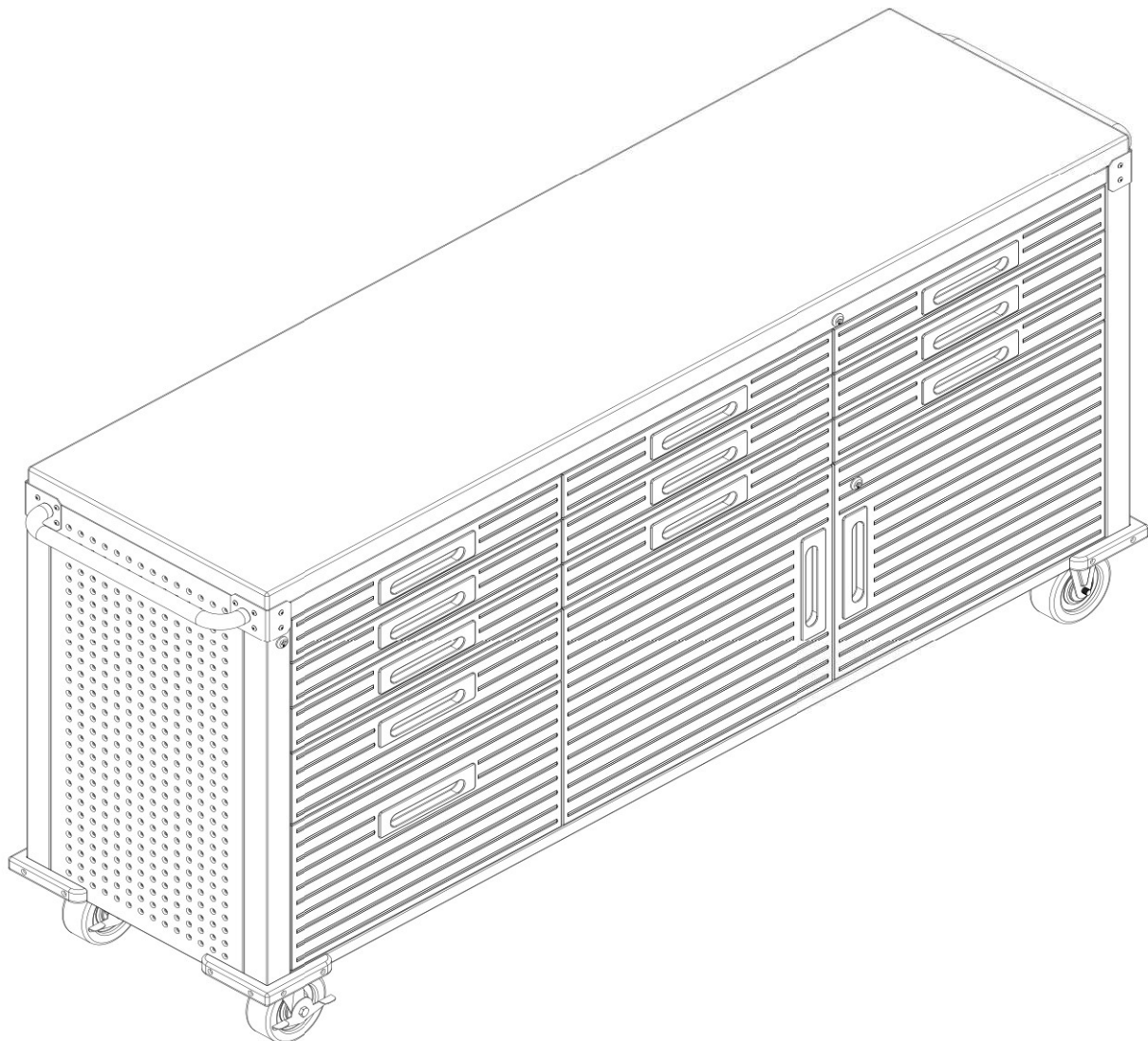
77 in. W X 20 in. D X 37.5 in. H

(1.95m W x 50.8cm D x 95.2cm H)

**ULTRAGUARD®**

FINGERPRINT RESISTANT SURFACES  
AND INCREASED DURABILITY

Reference page 14 for special care and  
maintenance of stainless steel

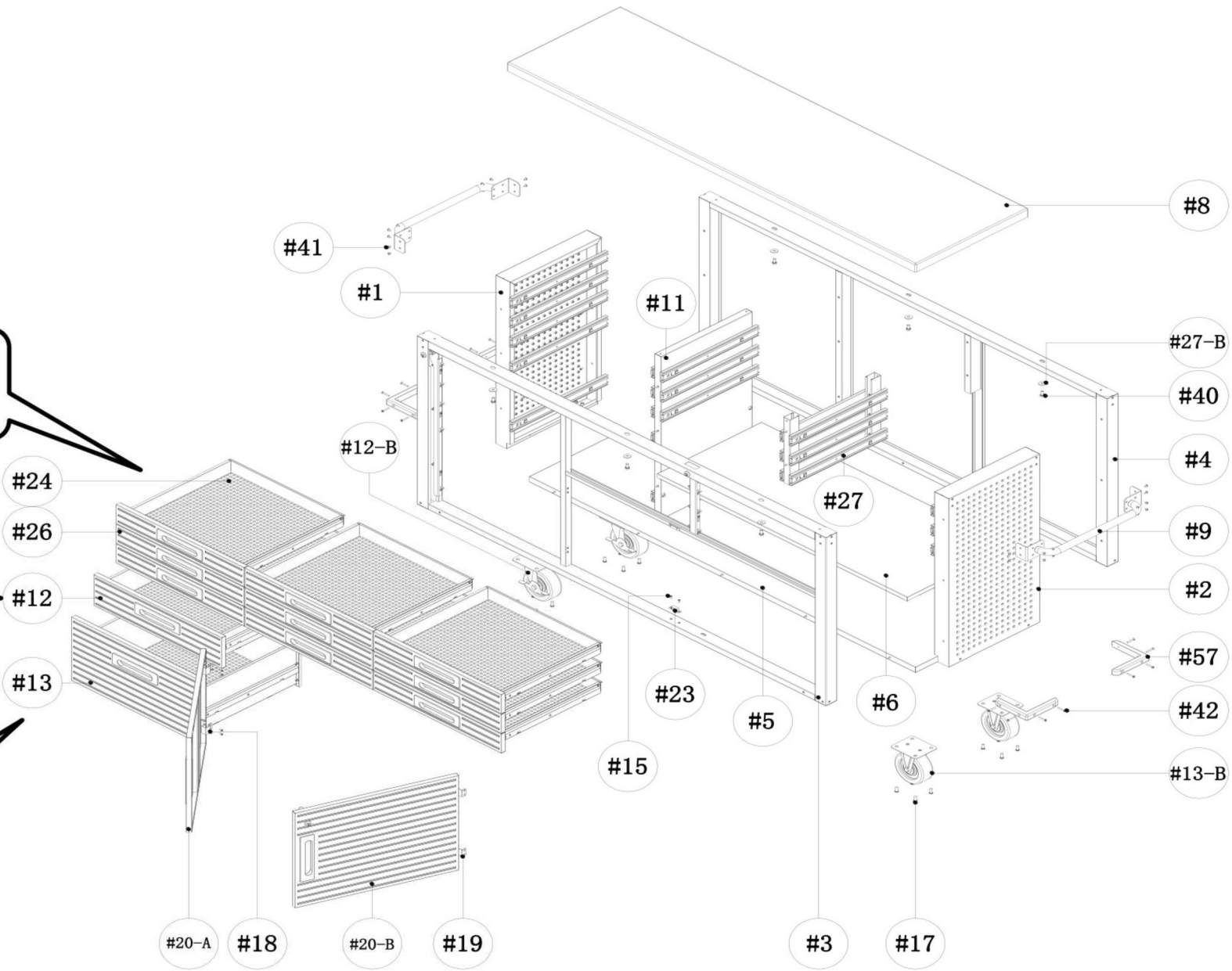


SC240808

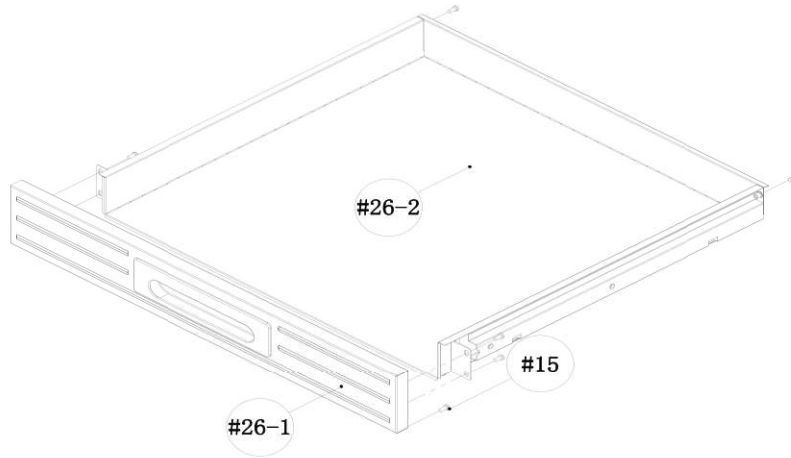
Small  
Drawers

Medium  
Drawer

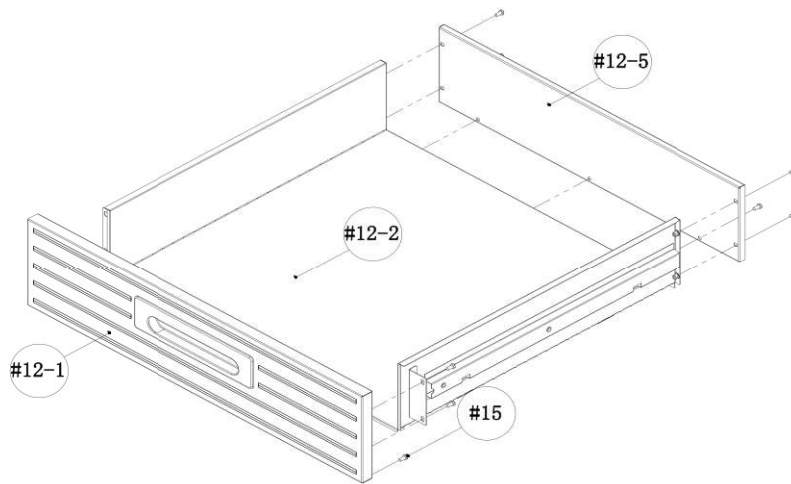
Large  
Drawer



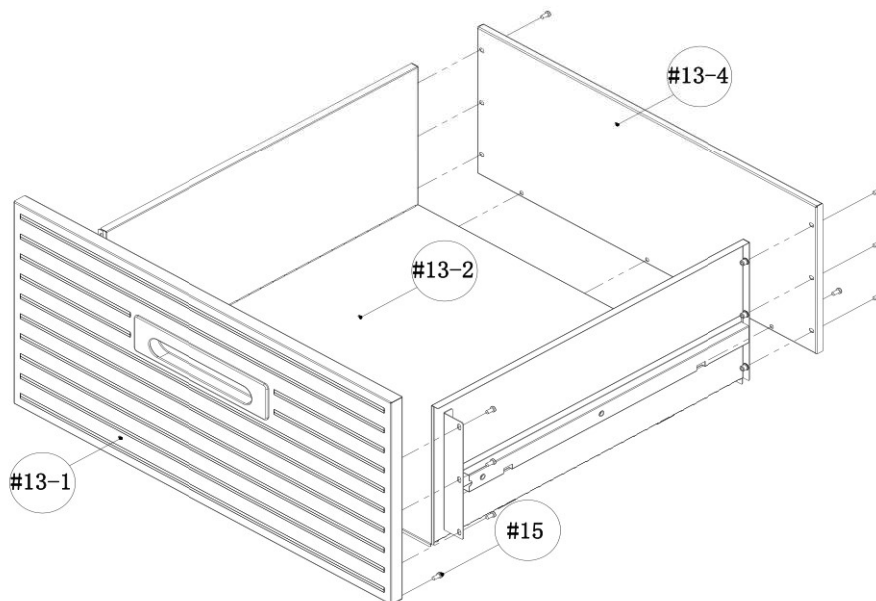
### Small Drawer



### Medium Drawer

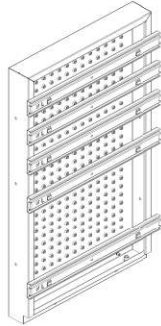


### Large Drawer

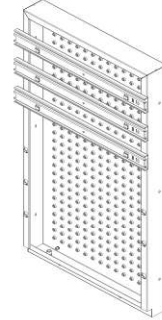


# PARTS LIST

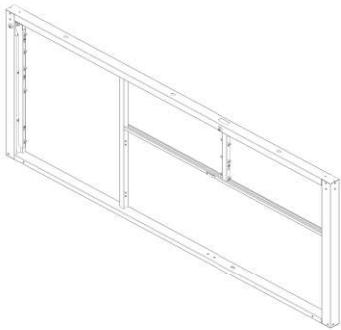
Please check the parts carefully according to the parts list. If you are missing any parts, please contact our service department (Please refer to page 15).



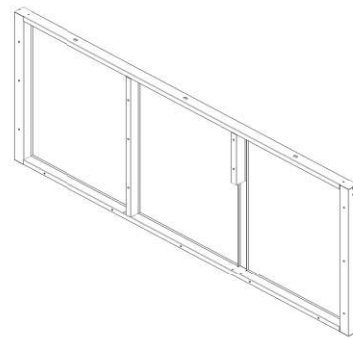
**(#1) LEFT SIDE PANEL x 1 PC**



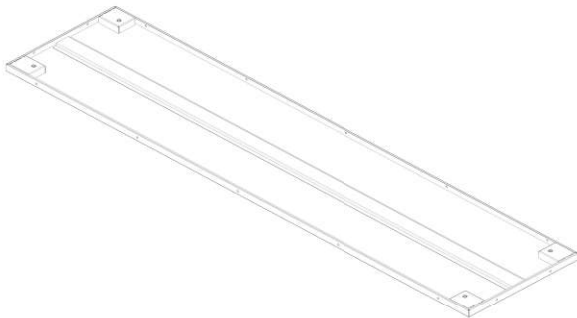
**(#2) RIGHT SIDE PANEL x 1 PC**



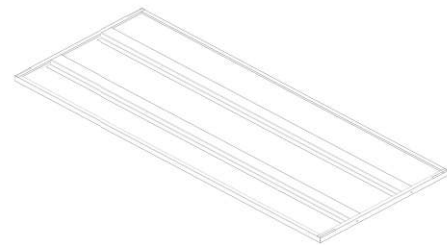
**(#3) FRONT FRAME x 1 PC**



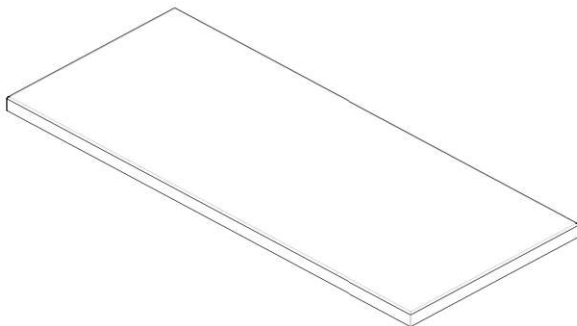
**(#4) BACK FRAME x 1 PC**



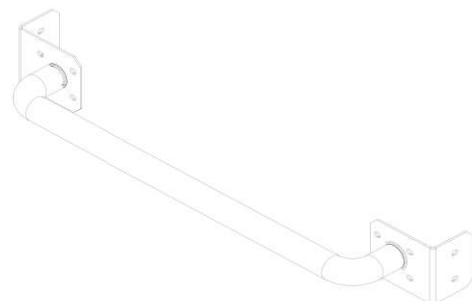
**(#5) BASE PANEL x 1 PC**



**(#6) SHELF x 1 PC**



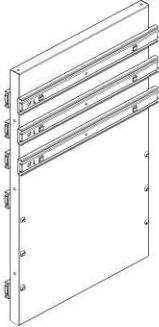
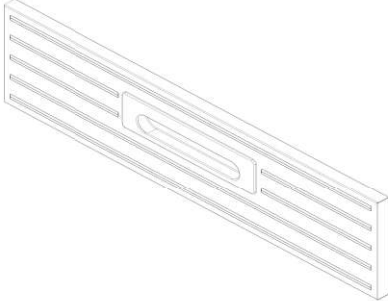
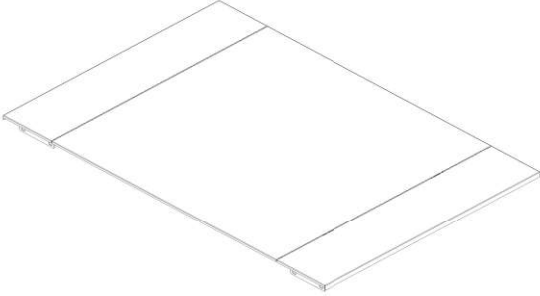
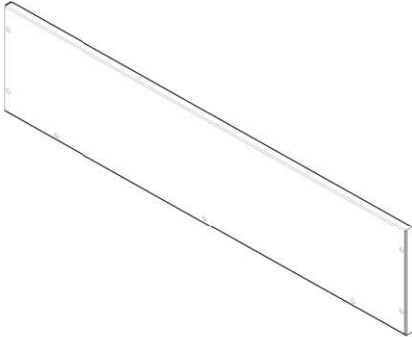
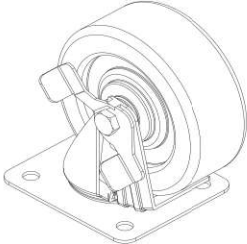
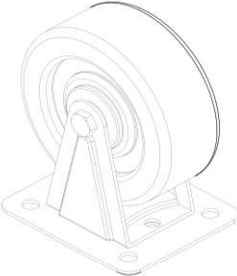
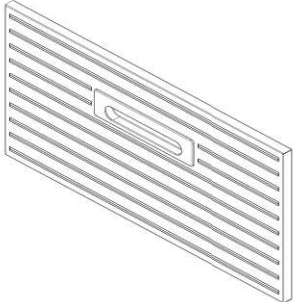
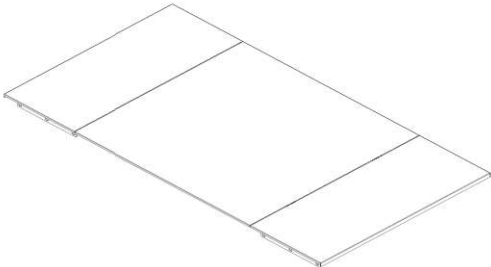
**(#8) SOLID HARDWOOD TOP x 1 PC**



**(#9) PUSH BAR x 2 PCS**

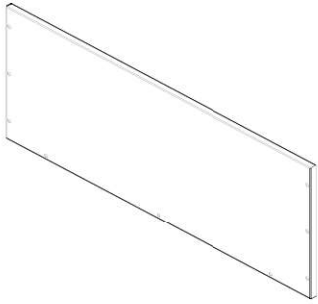


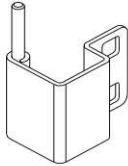
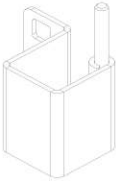
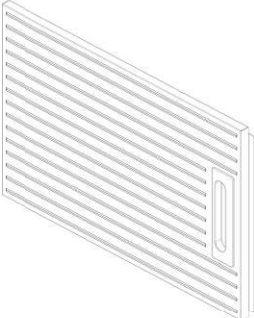
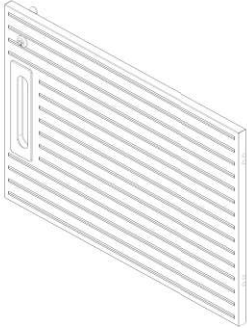
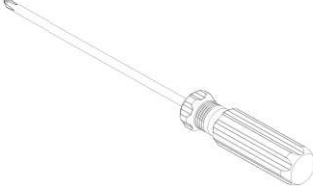
# PARTS LIST

Please check the parts carefully according to the parts list. If you are missing any parts, please contact our service department (Please refer to page 15).

	
<b>(#11) LEFT SIDE SLIDER SUPPORT x 1 PC</b>	<b>(#12-1) MEDIUM-SIZE DRAWER FRONT x 1 PC</b>
	
<b>(#12-2) MEDIUM-SIZE DRAWER BOTTOM PANEL x 1 PC</b>	<b>(#12-5) MEDIUM-SIZE DRAWER BACK PANEL x 1 PC</b>
	
<b>(#12-B) WHEEL WITH BRAKE x 2 PCS</b>	<b>(#13-B) WHEEL W/O BRAKE x 2 PCS</b>
	
<b>(#13-1) LARGE DRAWER FRONT PANEL x 1 PC</b>	<b>(#13-2) LARGE DRAWER BOTTOM PANEL x 1 PC</b>

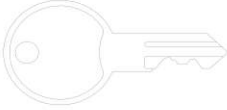
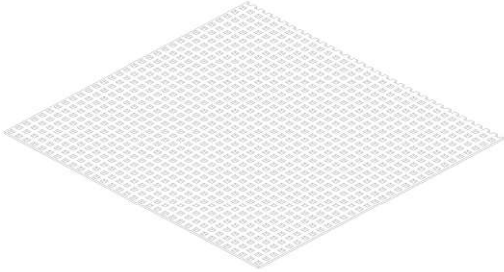
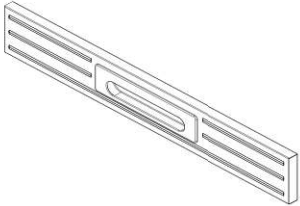
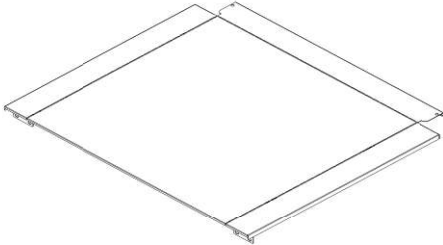
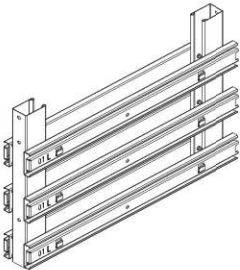

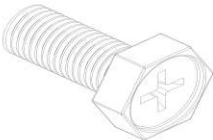
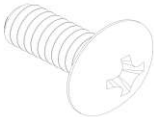
# PARTS LIST

Please check the parts carefully according to the parts list. If you are missing any parts, please contact our service department (Please refer to page 15).

	
<p><b>(#13-4) LARGE DRAWER BACK PANEL x 1 PC</b></p>	<p><b>(#15) SCREW B (M4 x 8L) x 195 PCS</b></p>
	
<p><b>(#17) SCREW D (M8 x 18L) x 16 PCS</b></p>	<p><b>(#18) LEFT DOOR HINGE x 2 PCS</b></p>
	
<p><b>(#19) RIGHT DOOR HINGE x 2 PCS</b></p>	<p><b>(#20-A) LEFT DOOR x 1 PC</b></p>
	
<p><b>(#20-B) RIGHT DOOR x 1 PC</b></p>	<p><b>(#21) SCREW DRIVER x 1 PC</b></p>

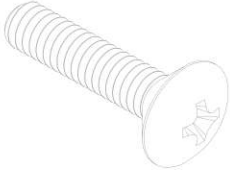
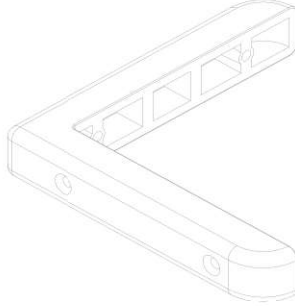
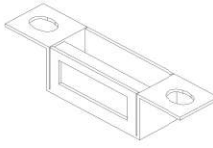
# PARTS LIST

Please check the parts carefully according to the parts list. If you are missing any parts, please contact our service department (Please refer to page 15).

	
<p><b>(#22) KEY x 6 PCS</b></p>	<p><b>(#24) DRAWER MAT x 11 PCS</b></p>
	
<p><b>(#26-1) SMALL DRAWER FRONT x 9 PCS</b></p>	<p><b>(#26-2) SMALL DRAWER CASE x 9 PCS</b></p>
	
<p><b>(#27) RIGHT SIDE SLIDER SUPPORT x 1 PC</b></p>	<p><b>(#27-B) WASHER (M8) x 6 PCS</b></p>
	
<p><b>(#40) SCREW E (M8 x 18L) x 6 PCS</b></p>	<p><b>(#41) SCREW F (M4 x 8L) x 32 PCS</b></p>

# PARTS LIST

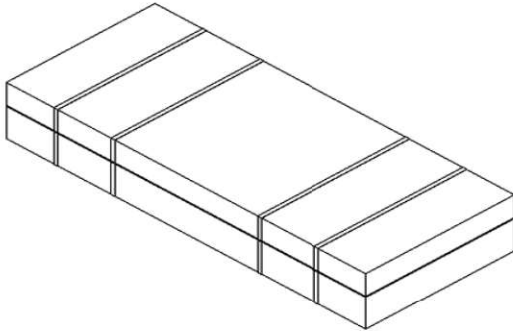
Please check the parts carefully according to the parts list. If you are missing any parts, please contact our service department (Please refer to page 15).

	
<p><b>(#42) SCREW G (M4 x 30L) x 16 PCS</b></p>	<p><b>(#57) BUMPER x 4 PCS</b></p>
	
<p><b>(#23) MAGNET x 1 PC</b></p>	

# UltraHD® 2-Door Rolling Workbench (Model No. 20262, 20142, 20152, 20132)



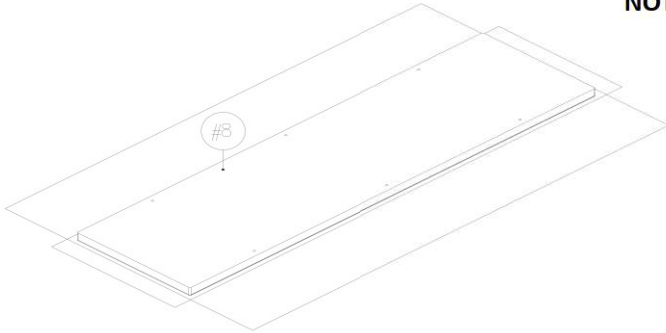
\*NOTE: We recommend using TWO people to assemble the workbench.



**TIP:** A magnetic screwdriver is included for your convenience. If using a powered screwdriver, keep torque setting on LOW.

**Step 1.** Open both boxes. Remove the cardboard box containing the Solid Hardwood Top (#8) and set the other parts to the side.

**NOTE:** Leave the Hardwood Top (#8) on top of cardboard to reduce the chance of scratching during assembly.

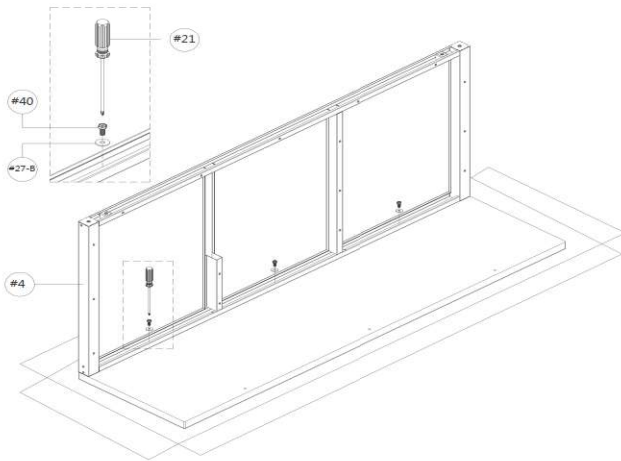


**Step 2. Install Back Frame (#4) to Solid Hardwood Top (#8).**

[Use the Screwdriver (#21) for this step]

Place the Back Frame (#4) as the left picture shows and use 3 pcs Screw E (#40) and Washers (#27-B) to fasten. Attach the "Top" of the Back Frame (#4), as indicated by the attached sticker, to the Solid Hardwood Top (#8). The Solid Hardwood Top has no set front or back end.

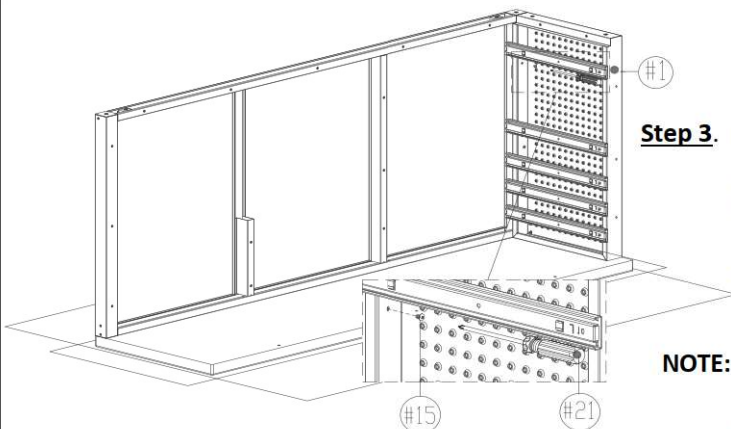
**NOTE:** Make sure the back and side are flush with the Solid Hardwood Top. Do not tighten any screws completely until all screws for that part have been partially screwed in.



**Step 3. Install Left Side Panel (#1).**

Attach Left Side Panel (#1) to Back Frame (#4), making sure the "Top" of Left Side Panel (#1) is on the Solid Hardwood Top (#8). Use 3 pcs of Screw B (#15) and Screw Driver (#21) to fasten.

**NOTE:** Once the Left Side Panel (#1) is securely fastened, test the slider to make sure it extends in the correct direction (away from the Back Frame (#4)).



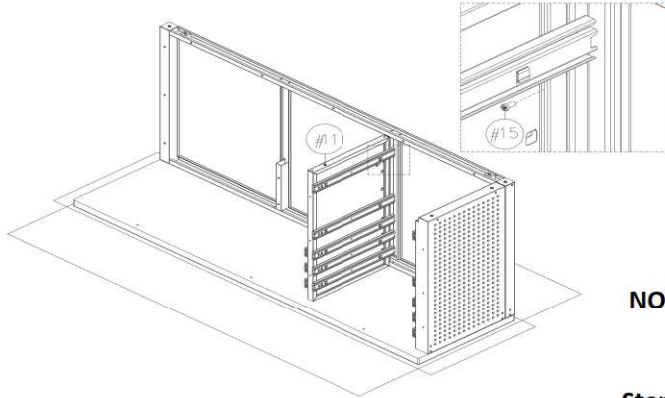
# UltraHD® 2-Door Rolling Workbench (Model No. 20262, 20142, 20152, 20132)



\*NOTE: We recommend using TWO people to assemble the workbench.



## Step 4. Install Left Side Slider Support (#11)

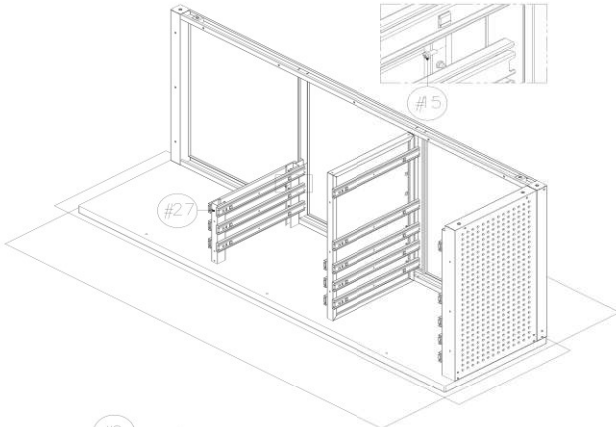


Attach the Left Side Slider Support (#11) to the Back Frame (#4), make sure the "Top" of Left Side Slider Support (#11) is close to the Solid Hardwood Top (#8). The "Top" is indicated by a sticker on one of the vertical columns.

Use 3 pcs of Screw B (#15) and Screwdriver (#21) to fasten.

**NOTE: The Drawer Slides will face those on the Left Side Panel (#1).**

## Step 5. Install Right Side Slider Support (#27)

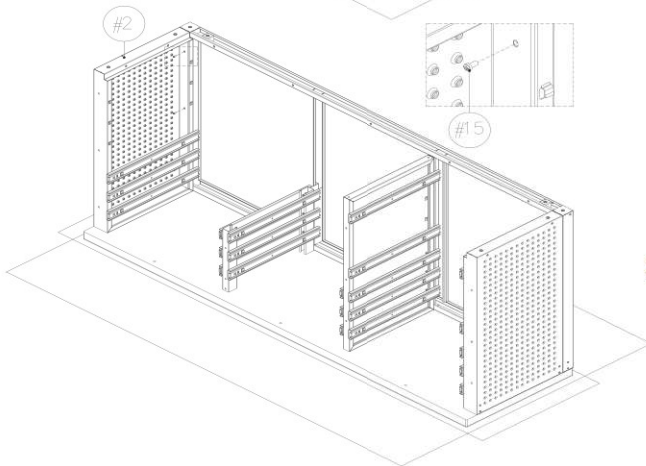


Attach the Right Side Slider Support (#27) to the Back Frame (#4), make sure the "Top" of Right Side Slider Support (#27) is close to the Solid Hardwood Top (#8). The "Top" is indicated by a sticker on one of the vertical columns.

Use 2 pcs of Screw B (#15) and Screwdriver (#21) to fasten.

**NOTE: The Drawer Slide will face those on the Right Side Panel (#2).**

## Step 6. Install the Right Side Panel (#2).



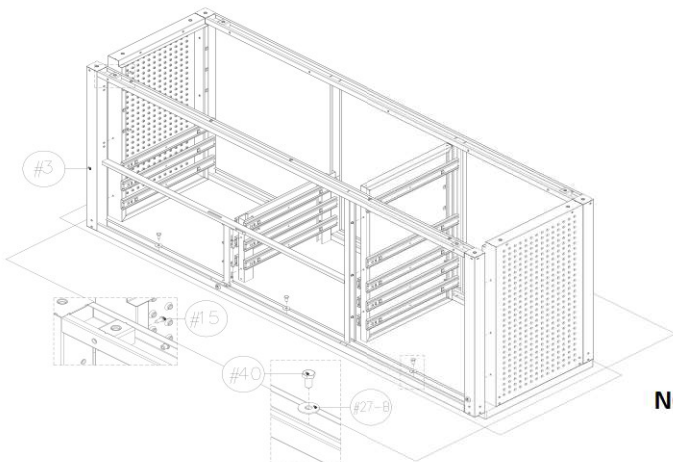
Attach the Right Side Panel (#2) to the Back Frame (#4), make sure the "Top" of Right Side Panel (#2) is close to the Solid Hardwood Top (#8). The "Top" is indicated by a sticker on one of the vertical columns. Use 3 pcs of Screw B (#15) and Screw Driver (#21) to fasten.

## Step 7. Install the Front Frame (#3).

A: Attach the "Top" of the Front Frame (#3) to the Solid Hardwood Top (#8). The other screw holes will align with the Left and Right Side Panels (#1 and #2), Left Side Slider Support (#11) and Right Side Slider Support (#27).

B: Use 11 pcs of Screw B (#15) and Screwdriver (#21) to fasten the Front Frame (#3) on the Left and Right Side Panels (#1 and #2), Left Side Slider Support (#11) and Right Side Slider Support (#27).

C: Make sure the four edges of the Cabinet are aligned, then fasten the Front Frame (#3) on the Solid Hardwood Top (#8) by using 3 pcs of Washer (#27-B) and Screw E (#40) with Screwdriver (#21).

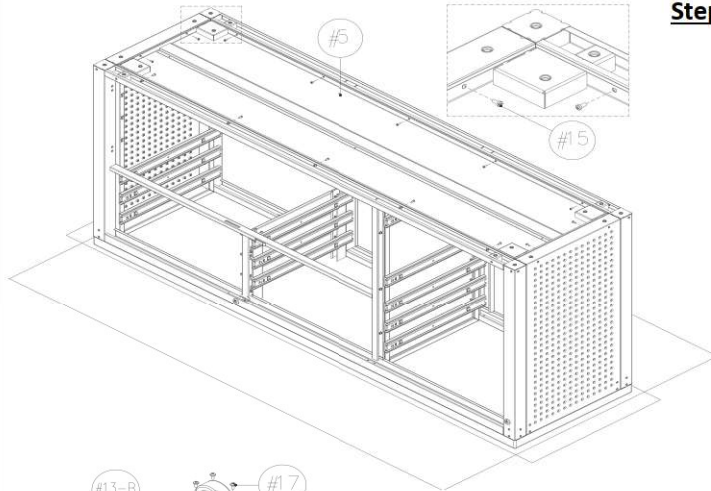


**NOTE: The ball bearing track will have to be pulled out 1" to expose the screw holes used for fastening to the Front Frame #3.**

# UltraHD® 2-Door Rolling Workbench (Model No. 20262, 20142, 20152, 20132)

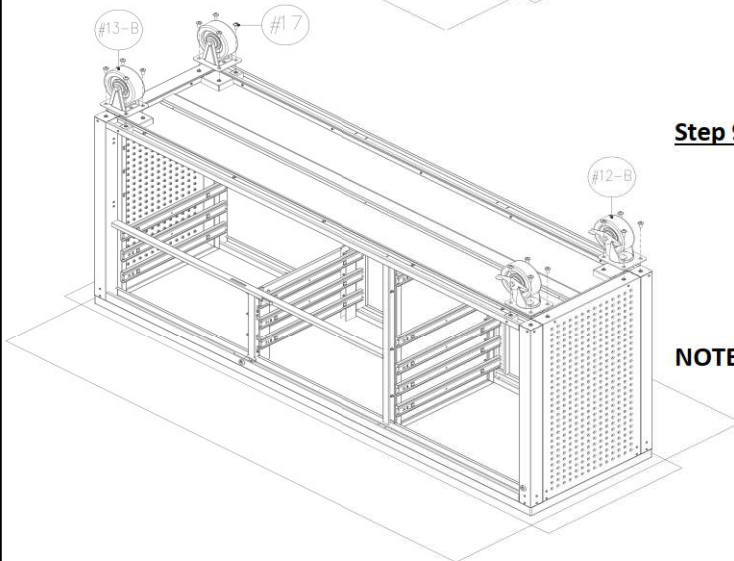


\*NOTE: We recommend using TWO people to assemble the workbench.



## Step 8. Install Base Panel (#5)

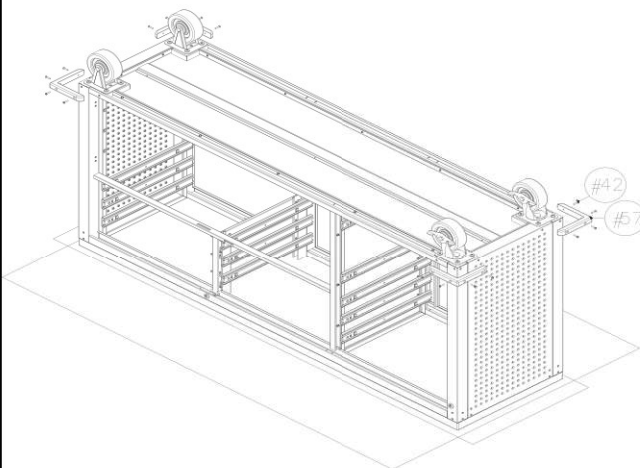
Attach Base Panel (#5) to the rest of the unit as the left picture shows. Use 14 pcs of Screw B (#15) and Screw Driver (#21) to fasten.



## Step 9. Install Wheels (#12-B and #13-B).

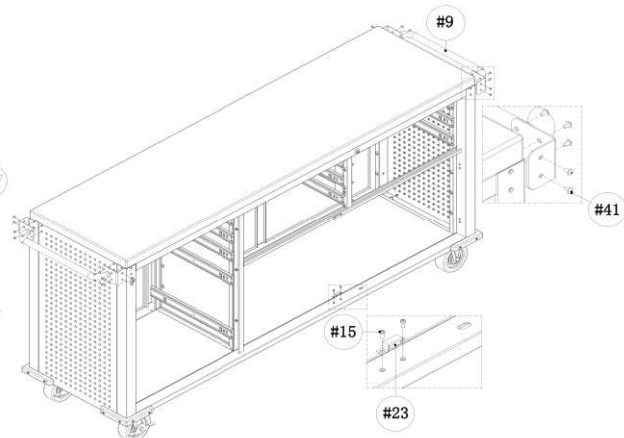
Attach Wheels (#12-B and #13-B) using 16 pcs of Screw D (#17). Make sure that the Wheels w/o Brakes (#13-B) are on the same end (right or left side) of the Workbench.

**NOTE:** There is some tolerance in the holes of the wheel frame, so make sure that the two wheels w/o brakes are parallel to each other and to the frame of the unit.



## Step 10.

Attach Bumpers (#57) to the bottom four corners of Workbench. Use 16 pcs of Screw G (#42) to fasten. Then, rotate/stand the Workbench upright.



## Step 11.

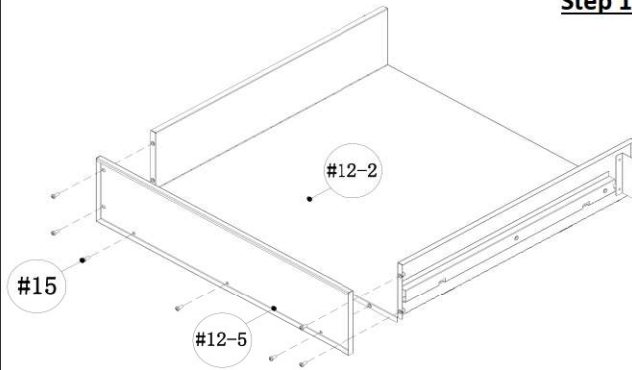
A: Attach Push Bars (#9) on both the Left and Right Side Panels (#1 and #2). Use 24 pcs of Screw F (#41) to fasten.

B: Use 2 pcs of Screw B (#15) to fasten the Magnet (#23) on the Front Frame (#3).

# UltraHD® 2-Door Rolling Workbench (Model No. 20262, 20142, 20152, 20132)



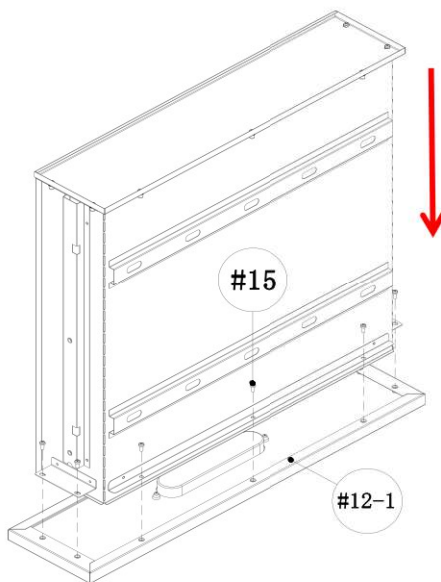
\*NOTE: We recommend using TWO people to assemble the workbench.



## **Step 12. Install Medium Drawer Bottom Panel (#12-2) and Medium Drawer Back Panel (#12-5).**

A. Fold the Left and Right panel of the Medium Drawer Bottom Panel (#12-2) up so that the ball bearing track will be attached to the outside of the drawer.

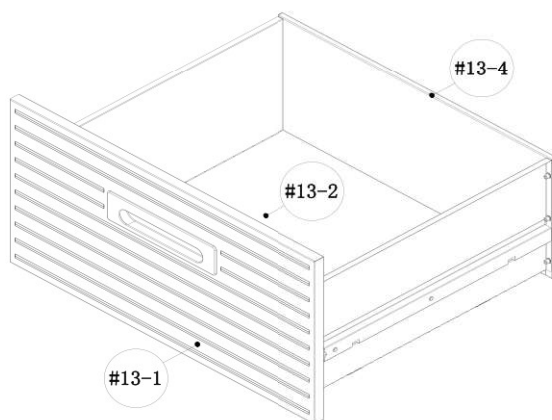
B. Attach the Medium-size Drawer Back Panel (#12-5) to the folded drawer panel, use 7 pcs Screw B (#15) to tighten.



## **Step 13. Install Medium Drawer Front (#12-1).**

From above, align the folded Drawer Panel with the Medium Drawer Front (#12-1) as detail picture shows, use 7 pcs Screw B (#15) to tighten.

**NOTE: Do not fully tighten the screws. This will help you make any adjustments to alignment later.**



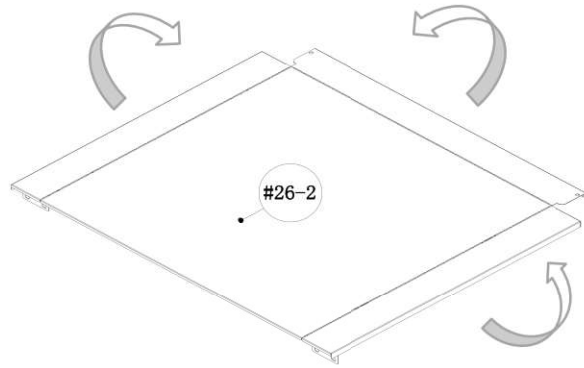
## **Assemble Large Drawer (#13) the same way.**

Repeat Step 13 and Step 14, but using Large Drawer Front Panel (#13-1), Large Drawer Bottom Panel (#13-2) and Large Drawer Back Panel (#13-4).

# UltraHD® 2-Door Rolling Workbench (Model No. 20262, 20142, 20152, 20132)

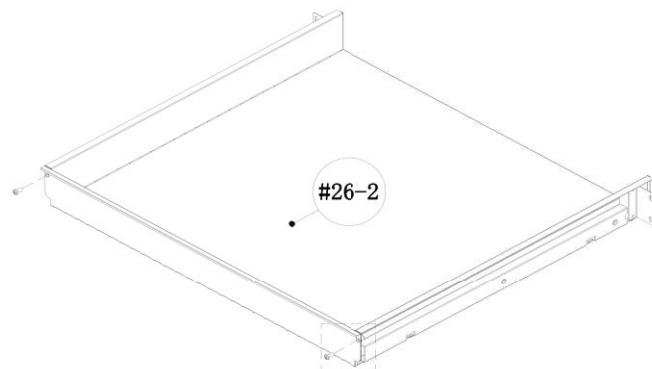


\*NOTE: We recommend using TWO people to assemble the workbench.

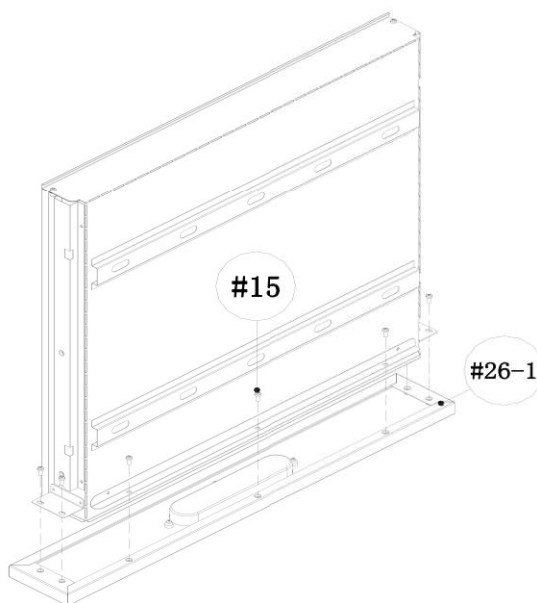
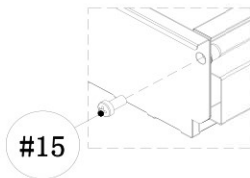


**Step 14.** A. Fold up all three panels of the Small Drawer Body (#26-2).

Use Screw B (#15) to tighten the back panel to the left and right panel.



**NOTE:** Do not tighten the screws all the way, until part B is completed.



B. Slide the Left and Right Drawer Panel into Small Drawer Front (#26-1) as the detail picture shows. Use 7pcs Screw B (#15) to tighten.

**NOTE:** Once all the drawer panels are aligned, tighten all the drawer screws.

# UltraHD® 2-Door Rolling Workbench (Model No. 20262, 20142, 20152, 20132)



\*NOTE: We recommend using TWO people to assemble the workbench.



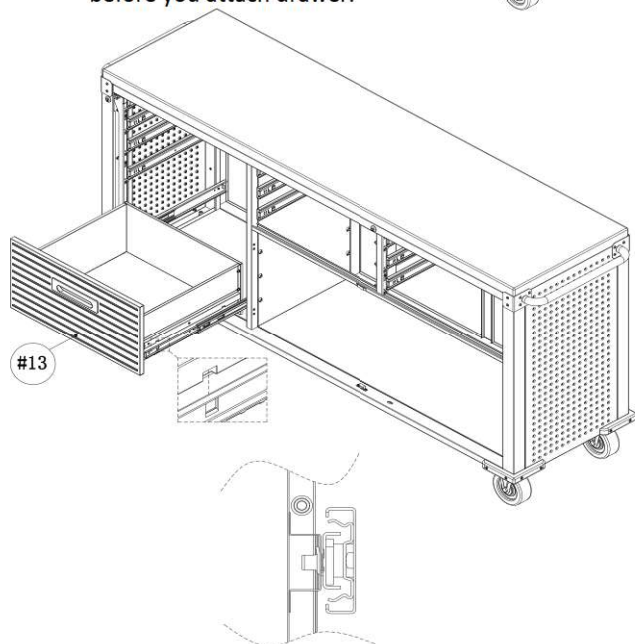
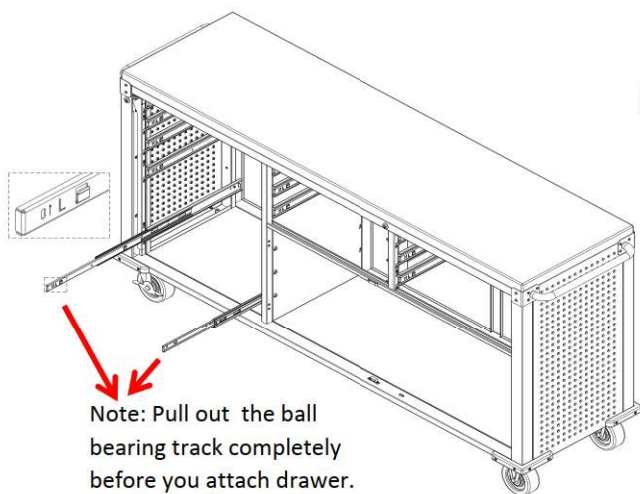
## Step 15. Place the Drawers.

A. Pull out the sliders completely, then attach the drawer to the sliders. Make sure the square holes on the drawer side panels are line up, and the drawer is hooked onto the sliders completely.

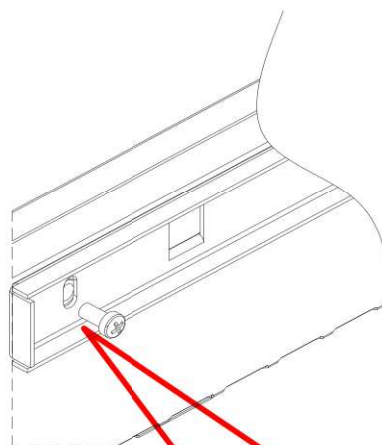
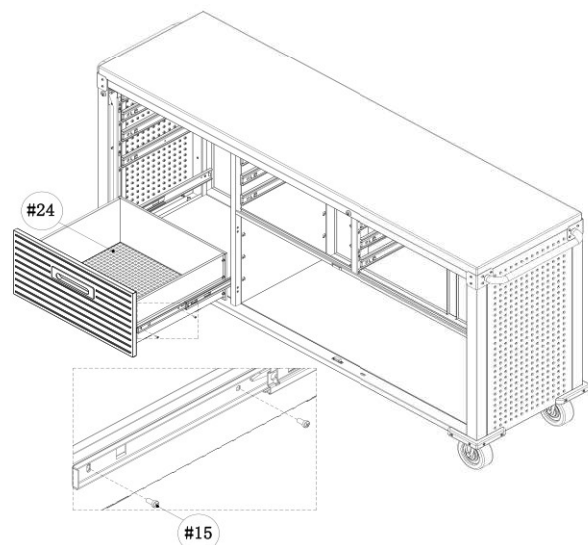
B. Use 4pcs Screw B (#15) to tighten the drawer, and put the Drawer Mat (#24) into the drawer.

Repeat above steps to place other drawers.

Note: Do not tighten any screws completely until all the drawers are adjusted well.



**Hook cutaway view**



The oval hole at the front of the slider allows for the gaps between the drawers to be adjusted. Make the adjustments once all the drawers are installed.

## CAUTION

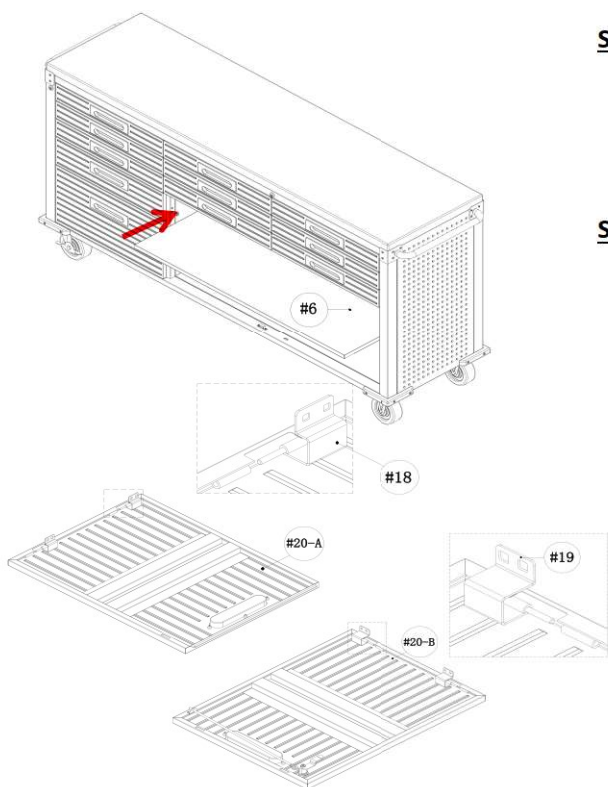


Only open one drawer at a time to avoid tipping. 40 lbs. maximum loading for each drawer.

# UltraHD® 2-Door Rolling Workbench (Model No. 20262, 20142, 20152, 20132)



\*NOTE: We recommend using TWO people to assemble the workbench.



## Step 16. Install the Shelf (#6).

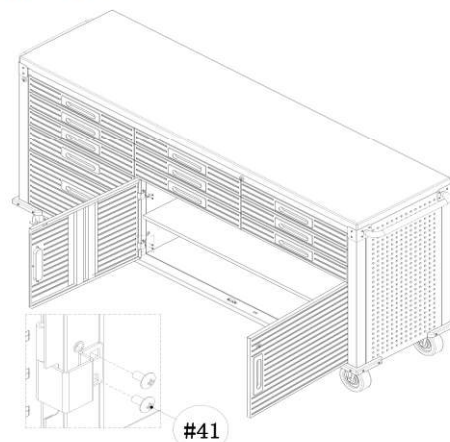
Place the Shelf (#6) in the unit at the desired height and ensure that all four corners are secured on the hooks on the front and back frame.

## Step 17. Install the Left Door (#20-A) and Right Door (#20-B).

A. Insert 2 pcs of Left Door Hinge (#18) on to the Left Door (#20-A). Insert 2 pcs of Right Door Hinge (#19) on to the Right Door (#20-B).

B. Attach the Left Door (#20-A) to the left side of the door frame and Right Door (#20-B) to the right side of the door frame. Use 8 pcs Screw F (#41) to fasten.

**Note: The door hinge screw holes have tolerance, enabling the doors to be adjusted and centered in the frame.**



Total Weight Capacity Evenly Distributed	Weight Capacity per drawer Evenly Distributed
500 lbs. (226.8 kg)	30 lbs. (13.61kg)

### UltraHD® Stainless Steel Care Instructions

The stainless-steel parts of this product are protected with an UltraGuard® fingerprint resistant finish.

**DO NOT** use traditional stainless-steel cleaners. To safely manage unwanted fingerprints and prevent new stains, perform the following steps once monthly:

- Lightly wipe with warm water and clean microfiber cloth
- Always wipe in the direction of the surface grain (NEVER ACROSS)
- Wipe away excess water with dry clean cloth

### UltraHD® Wood Top Care Instructions

Our tops are made with real wood, and while great care is taken to ensure consistent top color and graining, there may be natural variations between finished products. We hand select the wood for every top to ensure the material is undamaged and naturally beautiful. If the wood top is received with excessive damage or splitting, Seville Classics will guarantee replacement of the top. Variations of color, and minor scratches in the clear coat finish will not be reason for replacement.

### Restore Shallow Scratches or Chips

The wood surface of this product is finished with a polyurethane coat. If the wood top becomes chipped or scratched, a polyurethane coat can be reapplied to restore a smooth texture and protect from future damage.

- Please follow the manufacturer's instruction on the product for application.

## CONTACT INFORMATION

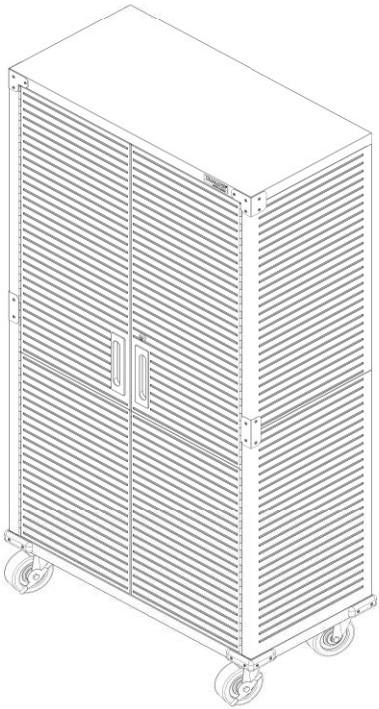
If you are missing any parts, have any questions, or need additional assistance in assembly, please contact our bilingual (English and Spanish) customer service department at:



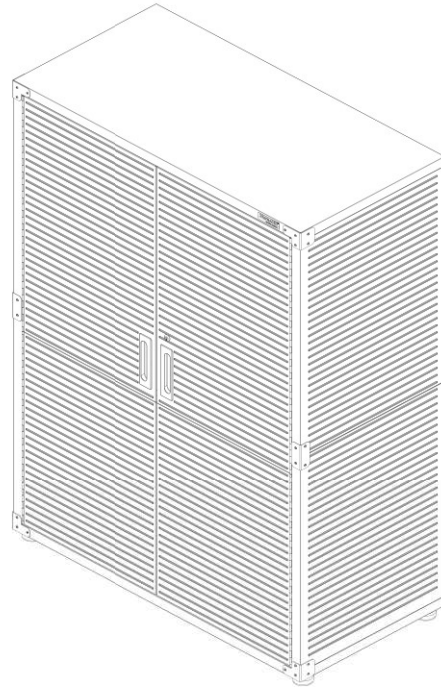
Seville Classics, Inc.  
19401 Harborage Way Torrance, CA 90501 USA  
Telephone: (800) 323-5565 within USA  
Fax: (310) 533-3899  
Hours: 8:30am - 4:30pm (Pacific Standard Time)  
E-mail: support@sevilleclassics.com  
Website & Online Store: www.sevilleclassics.com

**\*\*\*Please visit our website or call and inquire about our additional UltraHD® Line\*\*\***

## UltraHD® Line

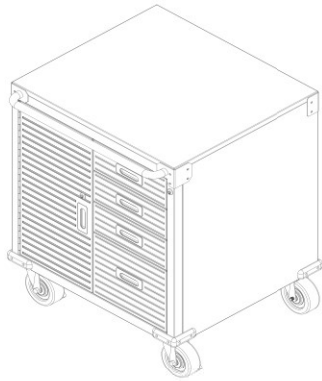


**UltraHD® Tall Storage Cabinet**  
Model No. 16236 (Granite)  
Model No. 20143 (Graphite)  
Model No. 20153 (Red)  
Model No. 20133 (White)



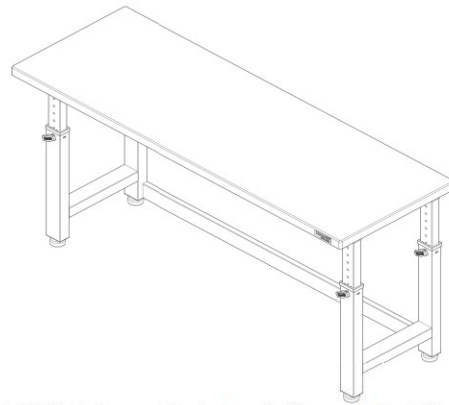
**UltraHD® Mega Storage Cabinet**  
Model No. 16238 (Granite)  
Model No. 20148 (Graphite)  
Model No. 20158 (Red)  
Model No. 20138 (White)

# UltraHD® Line



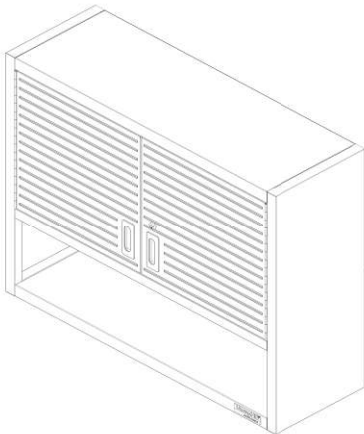
## UltraHD® Rolling Cabinet

Model No. 20225 (Granite)  
Model No. 20081 (Graphite)  
Model No. 20082 (Red)  
Model No. 20083 (White)



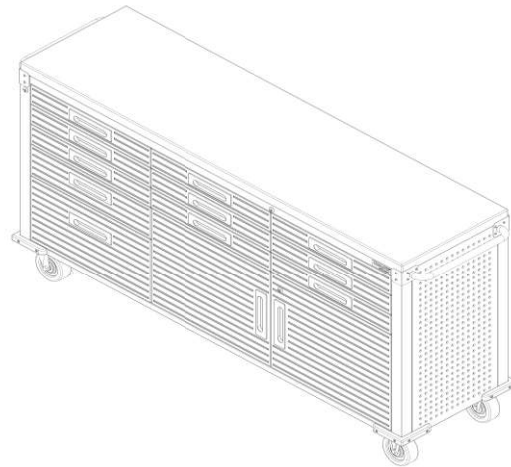
## UltraHD® 6-Foot Height Adjustable Workbench

Model No. 20292 (Granite)  
Model No. 20293 (Graphite)



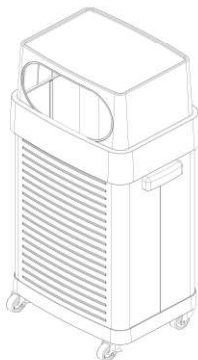
## UltraHD® Wall Cabinet with Open Shelf

Model No. 20230 (Granite)  
Model No. 20140 (Graphite)  
Model No. 20150 (Red)  
Model No. 20130 (White)



## UltraHD® 2-Door Rolling Workbench

Model No. 20262 (Granite)  
Model No. 20142 (Graphite)  
Model No. 20152 (Red)  
Model No. 20132 (White)



## UltraHD® Rolling Trash Bin

Model No. 20215



## UltraHD® Lighted Workcenter

Model No. 20247 (Granite)  
Model No. 20246 (Graphite)  
Model No. 20157 (Red)