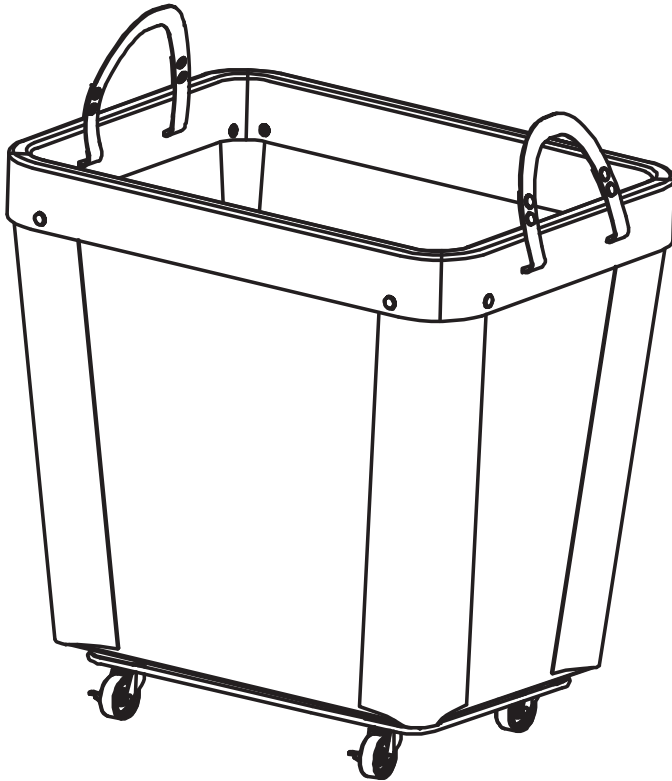


# seville classics®

[www.sevilleclassics.com](http://www.sevilleclassics.com)

## Commercial Heavy-Duty Laundry Hamper with Wheels



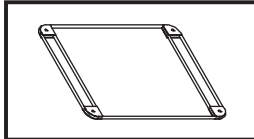
Model: SHE16150

Thank you for choosing Seville Classics! We hope that you enjoy your new laundry cart. Please read through this user guide for parts list, assembly instructions, care instructions, and contact information.

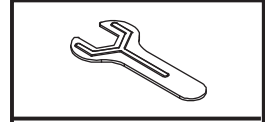
091020

# Parts List

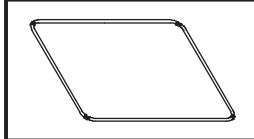
A. Base



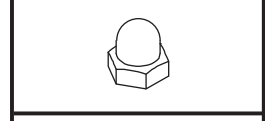
I. Large wrench



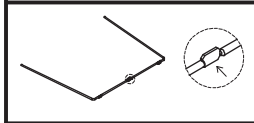
B. Top frame



J. Caps (4)



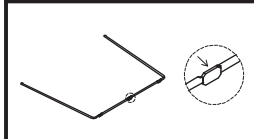
C. Upper body frame



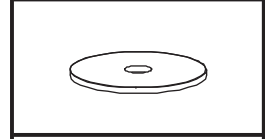
K. Screws (4)



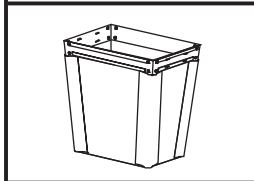
D. Lower body frame



L. Washers (4)



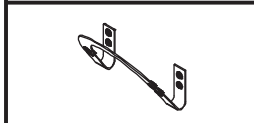
E. Bag



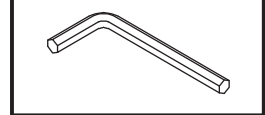
M. Small wrench



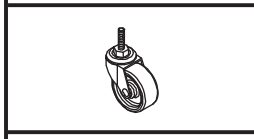
F. Handles (2)



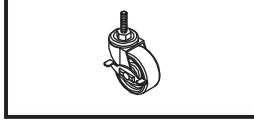
N. Hex key



G. Wheels (2)



H. Locking wheels (2)



**Please make sure you have all the parts on this list.**

If you're missing parts, contact us for replacements at (800) 323-5565 or send an email to [Support@SevilleClassics.com](mailto:Support@SevilleClassics.com)

# Assembly Instructions

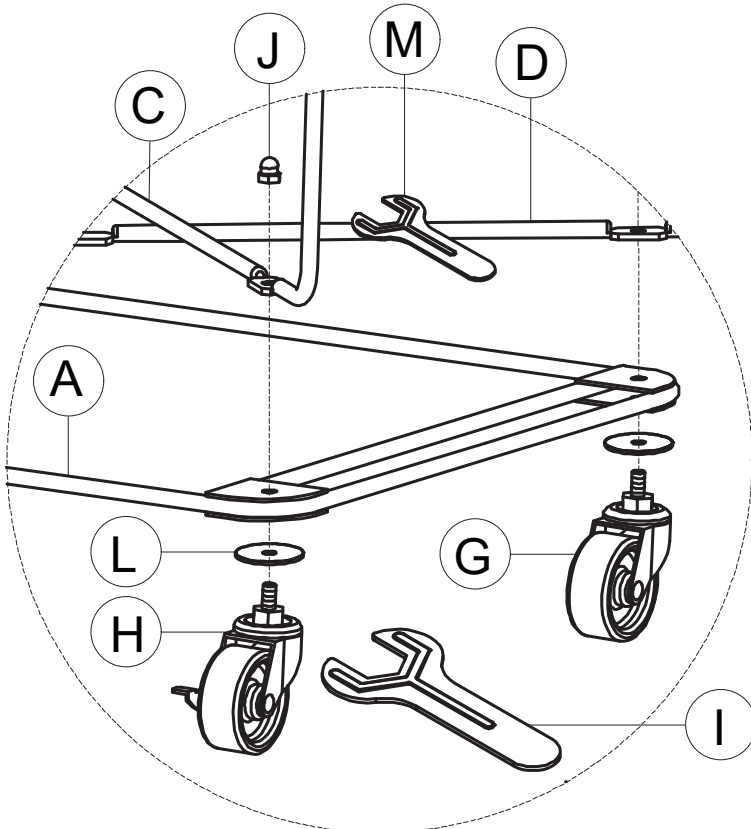
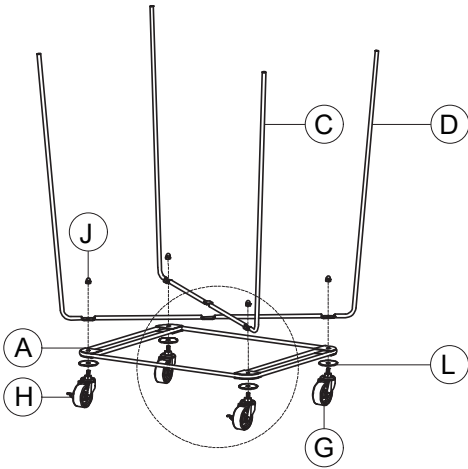
## STEP 1.

Fit **WASHERS (L)** over stems of **WHEELS (G)** and **LOCKING WHEELS (H)**. Fit wheel stems into holes on **BASE (A)**. Keep the same type of wheels on the same side.

Fit **LOWER BODY FRAME (D)** diagonally over wheel stems. Screw **CAPS (J)** onto wheel stems to fasten.

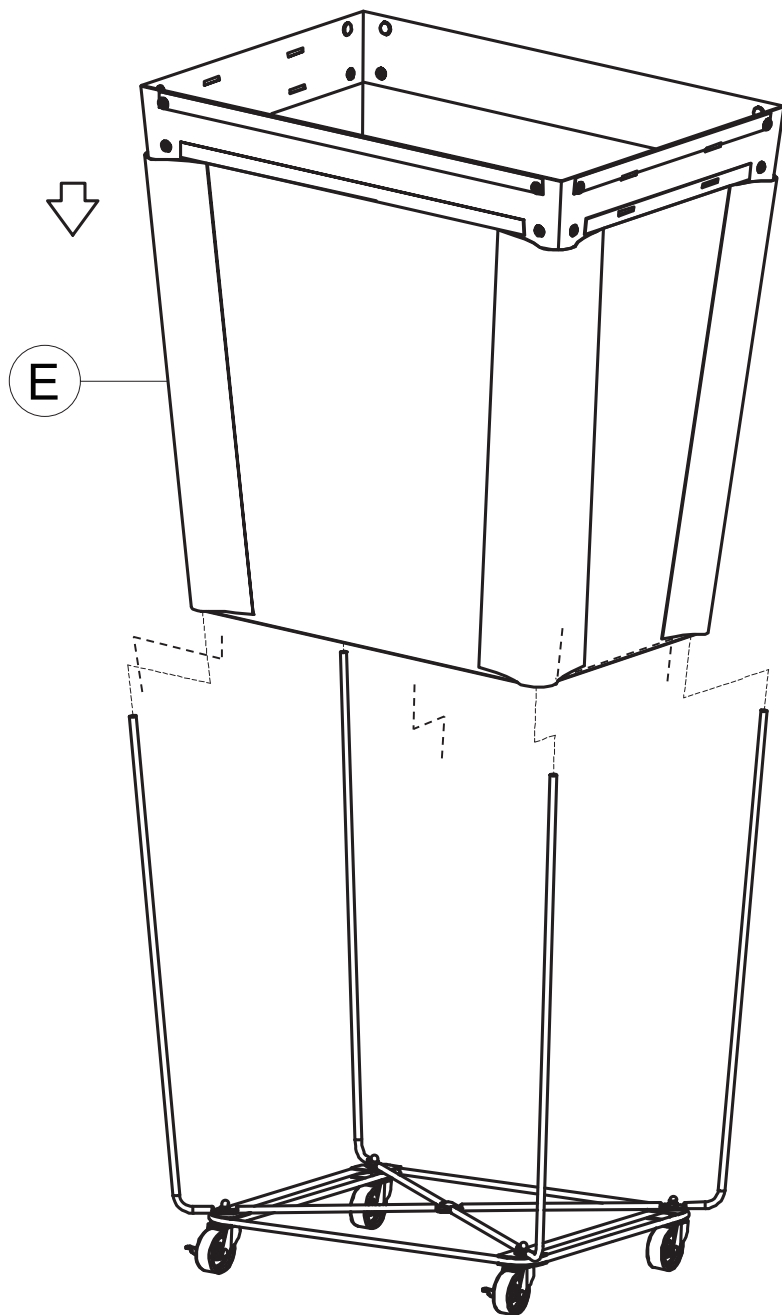
TIP: Use **SMALL WRENCH (M)** to hold **CAPS (J)** steady and tighten wheels with **LARGE WRENCH (I)**.

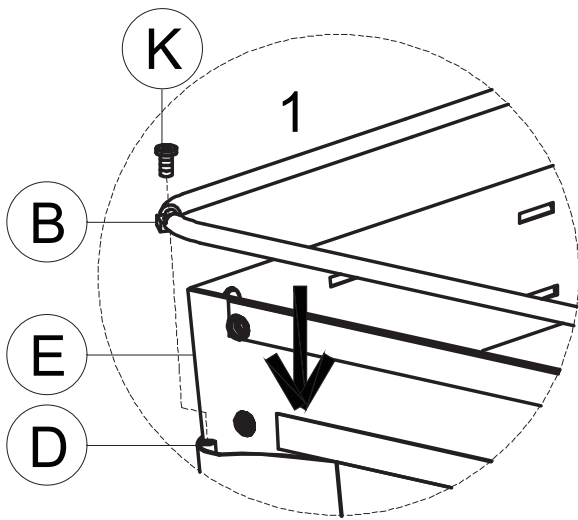
Repeat for **UPPER BODY FRAME (C)**.



## STEP 2.

Fit the four corner pockets on **BAG (E)** over the frame.





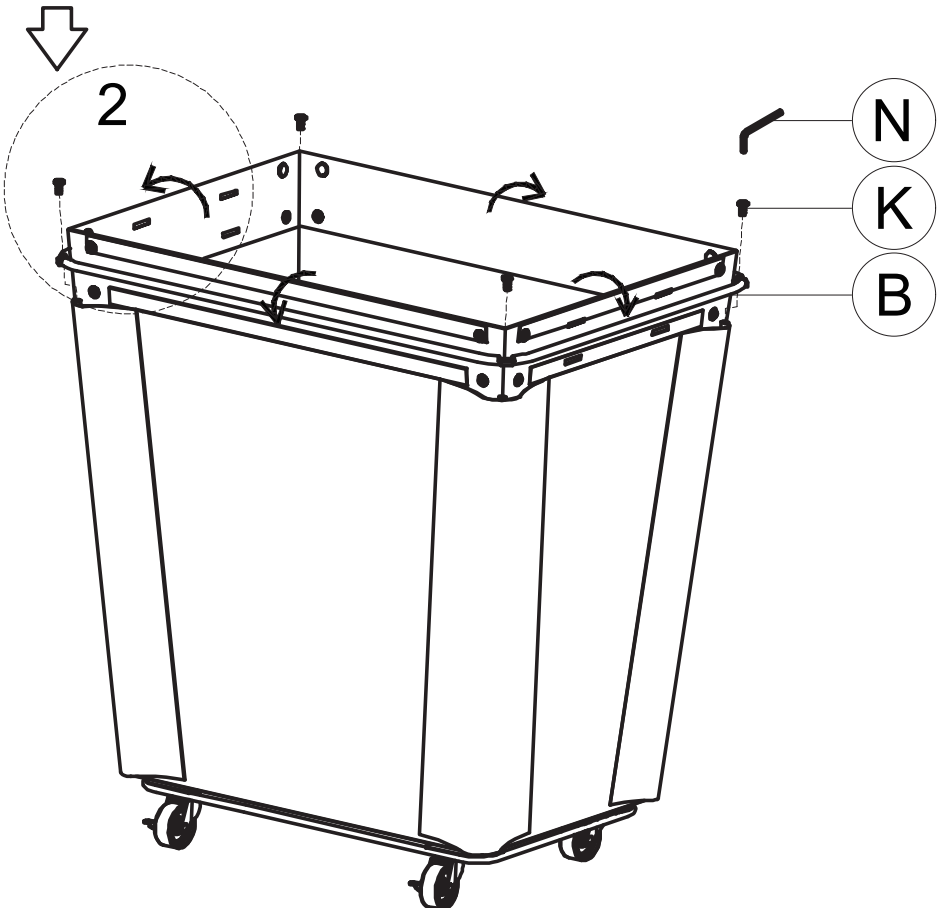
### STEP 3.

Align holes at the corners of **TOP FRAME (B)** with tops of **BODY FRAMES (C, D)**.

Attach with **SCREWS (K)** using **HEX KEY (N)**.

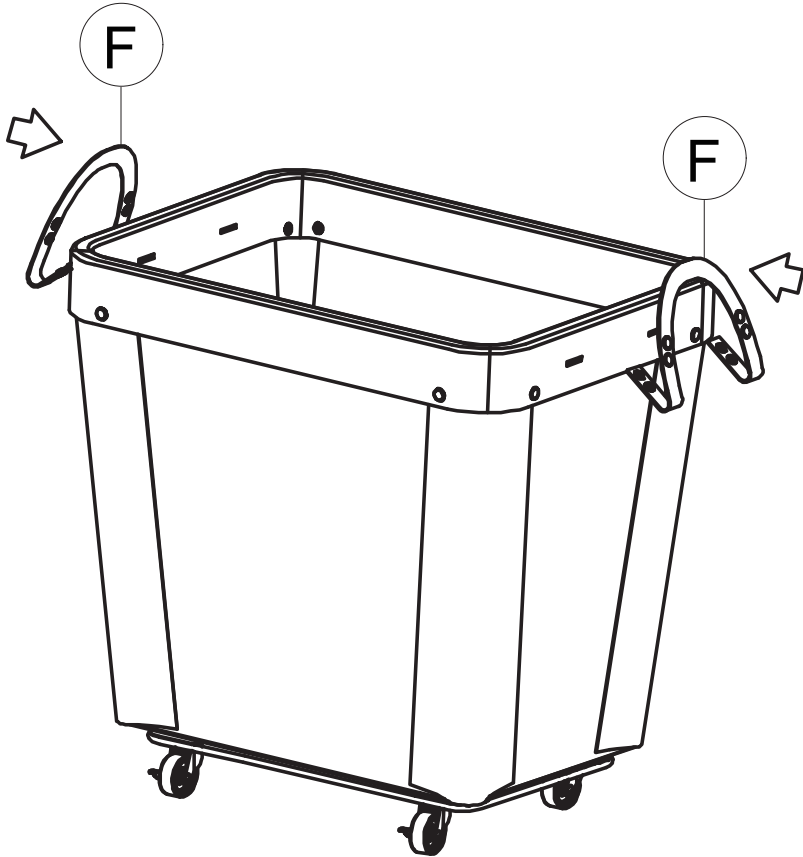
Fold the **BAG (E)** top liner down over the **TOP FRAME (B)**.

Fasten buttons on the bag to secure.



**STEP 4.**

Fit the ends of each **HANDLE (F)** through the slits on the bag.  
Button together to finish.



Congratulations!  
Enjoy your new commercial laundry hamper!

# Use Instructions

1. Lock the wheels to keep the cart from rolling while being loaded.
2. Load up to 80 lbs. into the bag.
3. Unlock the wheels and use the handles to move cart where you need it.

# Care Instructions

The bag is made of polyester and trimmed with PVC lip.  
Remove for easy cleaning.

1. Unbutton the handles and remove them from hamper.
2. Unbutton and unfold the top of the bag liner.
3. Lift the bag liner from the basket.
4. Hand wash with mild detergent and warm, damp sponge.
5. Spot clean outer bag with mild detergent and warm, damp sponge.
6. Wipe away excess water with clean towel.
7. Air dry in clean area out of direct sunlight.

**DO NOT** machine dry the bag.

**DO NOT** iron the bag.

**DO NOT** overload the bag with more than 80 lbs.

**DO NOT** use the cart if wheels are damaged or worn.

# Specifications

Dimensions: 22"L x 16"W x 27"H

Weight capacity: 80 lbs.

Weight: 9.10 lbs.

## Customer Service Information

**Telephone:** (800) 323-5565

**Fax:** (310) 533-3899

**Hours:** 8:30 AM – 4:30 PM (PST)

**Email:** [Support@SevilleClassics.com](mailto:Support@SevilleClassics.com)

**Homepage:** [www.SevilleClassics.com](http://www.SevilleClassics.com)