

C18 ACERT™

MARINE AUXILIARY ENGINE



499 bhp 372 bkW 1800 rpm
624 bhp 465 bkW 1800 rpm



Image shown may not reflect actual engine

SPECIFICATIONS

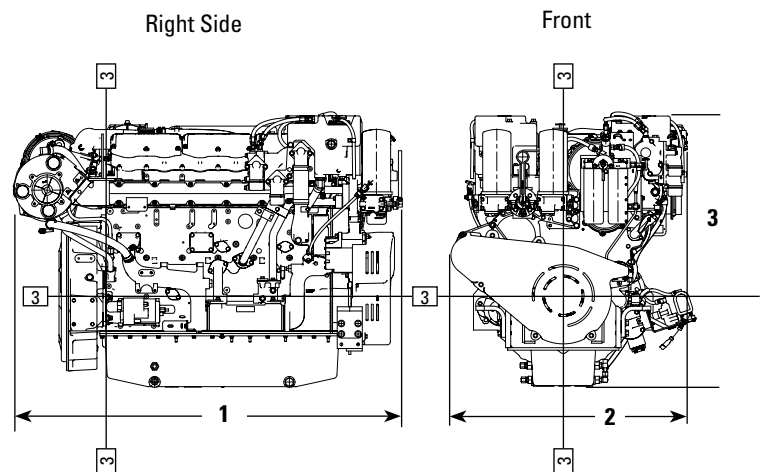
I-6, 4-Stroke-Cycle-Diesel

- IMO II compliant
- 18.0 L (1098 cu in) displacement
- 1800 rpm rated engine speed
- 145 mm (5.7 in) bore x 183 mm (7.2 in) stroke
- Turbocharged and aftercooled aspiration
- Electronically governed
- Heat exchanger or keel cooled
- Refill capacity
 - Cooling system: 45 L (12 gal)
 - Lube oil system: 49 L (13 gal) shallow pan
 - Lube oil system: 68 L (18 gal) deep pan
- 250-hour oil change interval shallow pan
- 500-hour oil change interval deep pan
- Caterpillar Diesel Engine Oil 10W30 or 15W40
- SAE No. 0 flywheel and flywheel housing
136 flywheel teeth (18 inch)
- Counterclockwise rotation from flywheel end

STANDARD ENGINE EQUIPMENT

- Separate circuit aftercooler (SCAC)
- Heavy-duty inlet air filter
- Heat exchanger or keel cooling
- SCAC and JW shunt tanks with sight glass
- Watercooled exhaust manifold and turbocharger
- Center sump oil pan, deep or shallow
- Oil filler, filter, and dipstick, front service
- MEUI fuel system
- Fuel filter, front service
- Fuel transfer and priming pumps
- Hybrid fuel lines
- Electronic fuel/air ratio control
- Electronic diagnostics and fault logging
- Front support adjustable mounting system
- Front damper guard
- Customer wiring and service tool connector

DIMENSIONS



ENGINE DIMENSIONS & WEIGHT

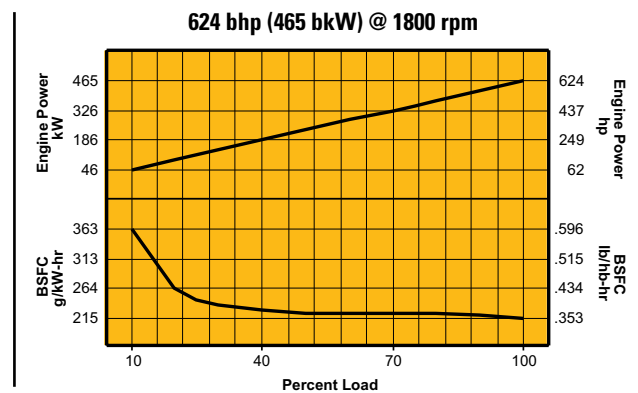
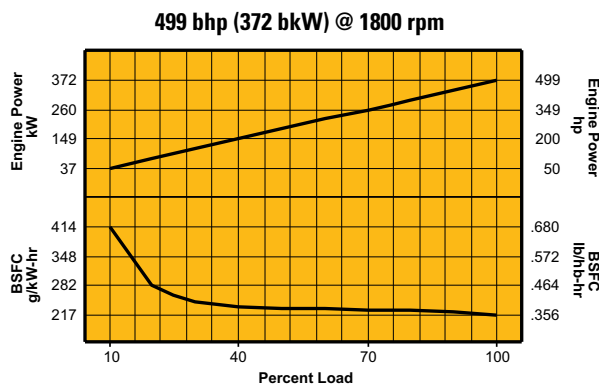
(1) Length	1854 mm	73.0 in
(2) Width	1134 mm	44.6 in
(3) Height	1300 mm	51.2 in
Weight, Net Dry (approx)	*1950 kg	*4,299 lb

Note: Do not use these dimensions for installation design. See general dimension drawings for detail.

*Weight includes electric starting motor and charging alternator.

MARINE ENGINE PERFORMANCE

% Load	MA Rating – EM0084-00				MA Rating – EM0085-00			
	bhp	g/hr	bkW	g/bkW-hr	bhp	g/hr	bkW	g/bkW-hr
100	499	25.4	372	217	624	31.5	465	215
75	374	20.2	279	228	468	24.5	349	223
50	249	13.3	186	229	312	16.4	233	223
25	125	7.7	93	261	156	9.0	116	246
10	50	4.8	37	414	62	5.3	47	363



OPTIONAL EQUIPMENT

- Air inlet adapter
- Auxiliary expansion tank flange kit
- Battery charger 10 amp
- Charging alternator 24V 105 amp
- Exhaust elbows, dry or watercooled
- Exhaust flange, flexible fitting, muffler
- Duplex fuel filter – front service
- Fuel cooler, flexible fuel lines
- Primary fuel/water separator
- Duplex oil filter – front service
- Manual sump pump
- Starting motors – electric or air
- Jacket water heaters
- Battery sets – 24V 950-1300 CCA
- MECP I control panel
- MECP III control panel with Cat® alarm and protection system
- OEM wiring harness – 30, 50, 80 foot lengths
- Front supports and rear supports
- Power take-offs
- Fumes disposal (closed system)

CAT, CATERPILLAR, their respective logos, ACERT, "Caterpillar Yellow" and the "Power Edge" trade dress, as well as corporate and product identity used herein, are trademarks of Caterpillar and may not be used without permission.