



Progress Rail's Maintenance-of-Way (MOW) division was born out of the movement toward mechanization in the railroad industry and introduced the first Kershaw® Ballast Regulator in 1945.

Today, Progress Rail supplies Kershaw® MOW equipment, providing machines to all Class I railroads, transit and short lines and contractors around the world.

The SkyTrim mini 55 TH is a compact, mobile, self-powered tree trimmer based on a telehandler platform.

The SkyTrim mini 55 TH is ideal for residential applications, golf courses, rental properties and municipalities.



## Progress Rail

A Caterpillar Company

+1 800-633-5766  
progressrail.com

 @progressrail

 @Progress\_Rail



The SkyTrim mini is a compact single operator self-contained tree trimming machine based on a telehandler. The upper unit is a two-stage insulated telescopic boom equipped with a single large saw blade with a cutting height of 55 feet (17 m). The saw is capable of rotating on its own axis (185 degrees) providing for accurate cutting of tree limbs at any angle. The entire boom assembly pivots on a slewing ring providing 27 degrees of movement which allows the boom and saw blade 25 feet of side-to-side movement at the blade tip, allowing for extreme cutting accuracy without repositioning the entire machine. The upper tree trimmer is mounted on a telescopic handler base machine equipped with the latest tier 4 engine, 4-wheel steer and crab steer providing a highly maneuverable stable machine package. The chassis is fitted with outriggers for trimming on slight inclines. The operator cab is EROPS certified, air conditioned and comes with tinted glass and external screen guards with optional beacon and light kits.

**Frame:** All welded construction using plate steel.

**Weight:** 12,500 lbs. (5669 kg) with standard 14" x 17.5" tires.

**Engine:** Deutz TD 2.9L L4, 74 hp (55 kW) @ 2200 rpm, 2.9 L. (Meets U.S. EPA Tier 4 Final emission standards)

**Dimensions:** Cab: Length 11' 7", Height 9' 6", Width 6'

**Boom - 32'** (closed)

**Propel System:** Hydrostatic transmission with variable speed forward and reverse. Maximum travel speed is 15 mph (24 kph).

**Transmission and Axles:** Hydrostatic transmission with Shuttle shift on the steering column. Front and rear axles are planetary drive with a hi bias limited slip differential on the front axle.

**Wheels, Tires and Brakes:** 17.5" wheels with 14.00 x 17.5 tires. Service Brakes are inboard wet disc brakes on front axles. Parking Brakes are wet disc spring-applied hydraulic release. Light on dash indicates when Parking Brake is on.

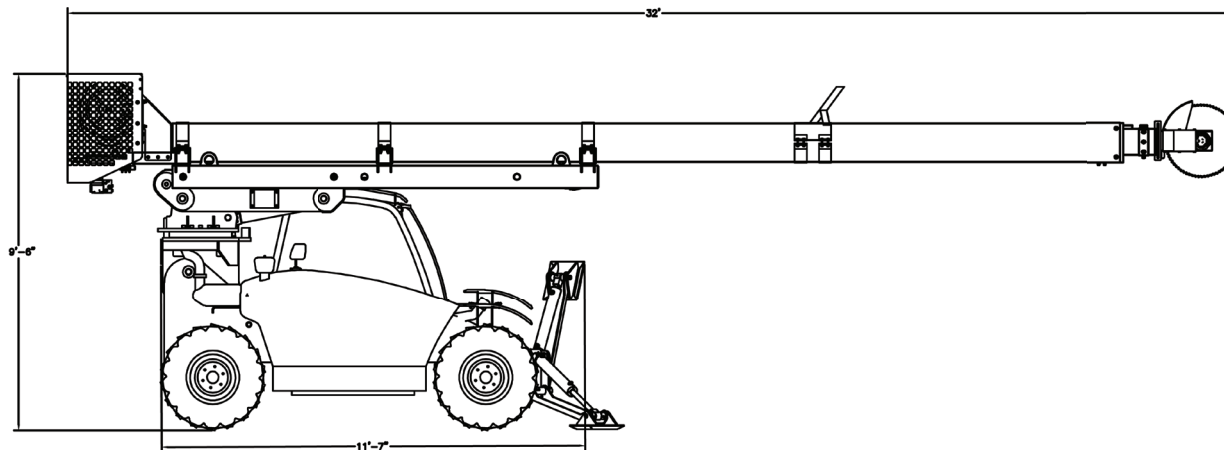
**Hydraulic System:** Engine flywheel drives a closed loop hydrostatic pump used for propel. Engine auxiliary PTO drives open loop gear pump used for hydraulic work functions. 4-section directional control valve with hydraulic actuators operates the boom up/down, boom in/out, boom rotate, and boom swing. 4-section directional control valve with 12VDC solenoid actuators operates the saw on/off, outrigger up/down, and boom slide.

**Electrical System:** 12 volt dc negative ground, 75 amp alternator, color coded and numbered wiring. Includes work lights, driving lights, horn, amber strobe light.

**Service Refill Capacities:** Fuel: 24 gal (90.85 L), Hydraulic System: 24 gal (90.85 L), Engine Crankcase Oil: 7.5 qt (7.1 L), Cooling System: 14 qt. (13.2 L).

**Brake System:** .7 qt. (.7 L)

**Cab:** Fully enclosed and insulated. Automatic climate control controls temperature and air flow. Ergonomic hydraulic piloted joystick used for boom functions. Includes cup holder, storage trays, 12 VDC auxiliary socket, and rocker style switches for lighting and work functions. Includes Falling Object Guard Structure (FOGS) that bolts to cab. Large skylight provides upward visibility.



**Progress Rail**  
A Caterpillar Company

+1 800-633-5766

progressrail.com

f @progressrail

t @Progress\_Rail