

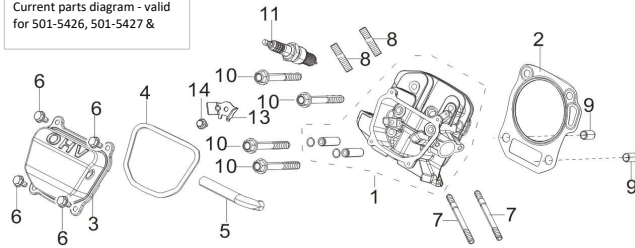
EPA Version

Primary Parts Listing for RP8000/RP8000E. Content does contain some information on RP6500E/RP7500E/RP6500 models.

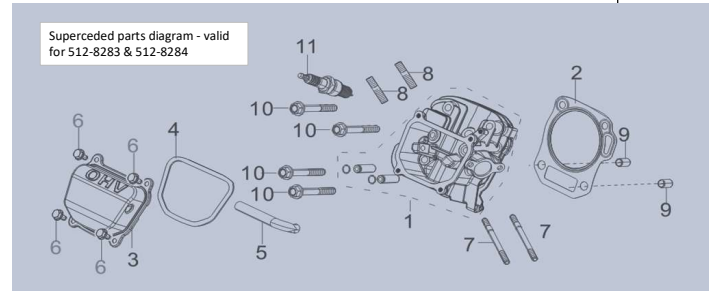
REF.NO.	Description	CAT Part Number	Group QTY	L mm	W mm	H mm	Weight g	Model	CAT Group Part Number	Group Name	L mm	W mm	H mm	Weight kg	Valid From
---------	-------------	-----------------	-----------	------	------	------	----------	-------	-----------------------	------------	------	------	------	-----------	------------

Note: Compatibility rules apply - refer to notes in

Current parts diagram - valid for 501-5426, 501-5427 &



Superceded parts diagram - valid for 512-8283 & 512-8284

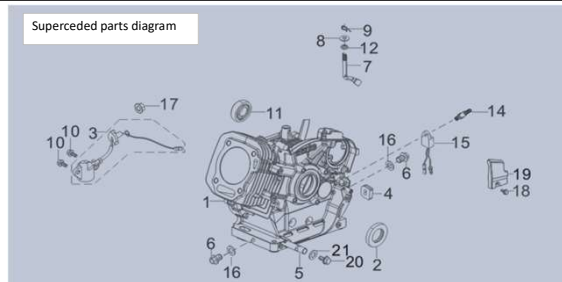
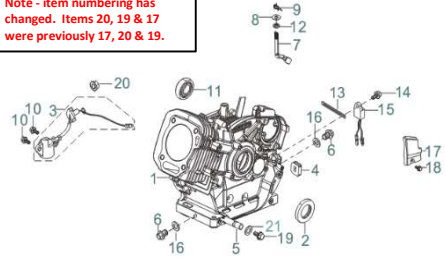


CYLINDER ASSY.

REF.NO.	Description	CAT Part Number	Group QTY	L mm	W mm	H mm	Weight g	Model	CAT Group Part Number	Group Name	L mm	W mm	H mm	Weight kg	Valid From
3	COVER SUBASSEMBLY, CYLINDER HEAD		1	140	41	115	259.2	RP8000/RP8000E							
4	GASKET, CYLINDER HEAD COVER	501-5425	1	135	112	3	4.6	RP8000/RP8000E	501-5426	COVER GP-CYL HD	140	115	60	0.3518	R420-VC1704000201 R420-VC1704000201 R420-VC1704000201
6	BOLT		4	19	16	16	208	RP8000/RP8000E							
5	TUBE, BREATHER	511-8860	1	125	17	15	16.6	RP8000/RP8000E							
1	HEAD SUBASSEMBLY, CYLINDER		1	200	200	100	1720	RP8000/RP8000E							R420-VC1907001401 R420-VC1907001401 R420-VC1907001401 R420-VC1907001401 R420-VC1907001401 R420-VC1907001401
2	GASKET, CYLINDER HEAD	511-7251	1	140	130	2	16.5	RP8000/RP8000E							
7	STUD		2	34	8	8	10	RP8000/RP8000E	530-1267	HEAD GP-CYL BSC	200	200	140	2.0523	
8	STUD		2	112	9	9	30.4	RP8000/RP8000E							
9	PIN		2	20	13	13	4.5	RP8000/RP8000E							
10	BOLT, CYLINDER HEAD		4	190	20	20	51.5	RP8000/RP8000E							
11	PLUG, SPARK	511-7297	1	185	20	20	60	RP8000/RP8000E							
12	GASKET, CYLINDER HEAD COVER		1	140	41	115	259.2	RP8000/RP8000E							
13	RETAINER		1					RP8000/RP8000E	530-1256	RETAINER GP	40	40	40	0.200	R420-VC1704000201 R420-VC1704000201
14	BOLT		1					RP8000/RP8000E							

Note - item numbering has changed. Items 20, 19 & 17 were previously 17, 20 & 19.

Superceded parts diagram



RP6500E/RP7500E/ RP8000/RP8000EE CRANKCASE ASSY.

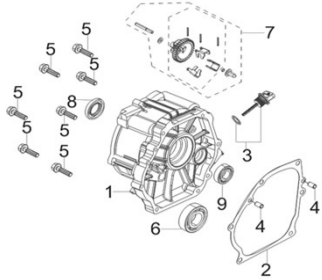
REF.NO.	Description	CAT Part Number	Group QTY	L mm	W mm	H mm	Weight g	Model	CAT Group Part Number	Group Name	L mm	W mm	H mm	Weight kg	Valid From
3	SENSOR, ENGINE OIL		1	110	50	50	45	RP8000/RP8000E							
10	BOLT		2	15	15	15	5.5	RP8000/RP8000E	512-8285	SENSOR GP-LEVEL	110	50	70	0.0638	
20	NUT		1	127	90	58	41.6	RP8000/RP8000E							

7	ARM, GOVERNOR		1	115	50	50	37.8	RP8000/RP8000E							
8	WASHER, FLAT		1	12	12	1	1.6	RP8000/RP8000E	512-8286	LEVER GP-CAL	115	50	60	0.0408	
9	COTTER		1	20	8	2	0.6	RP8000/RP8000E							
12	SEAL, OIL		1	16	16	5	0.8	RP8000/RP8000E							
2	SEAL, OIL		1	55	55	8	15	RP8000/RP8000E	501-5442	BEARING GP -B	55	55	25	0.055	
11	BEARING, DEEP GROOVE BALL		1	40	40	13	40	RP8000/RP8000E							
1	CRANKCASE SUBASSEMBLY.		1	370	280	190	5000	RP8000/RP8000E	512-8288	CRANKCASE GP	370	280	220	5.0754	
4	PLUG, RUBBER		1	25	20	8	3.2	RP8000/RP8000E							
5	DRAIN PIPE		1	50	14	14	30	RP8000/RP8000E							
6	BOLT, DRAIN PLUG		3	23	18	7	3	RP8000/RP8000E							
13	CLIP		1	100	12	2	5	RP8000/RP8000E							
16	WASHER, FLAT		2	21	21	2	1	RP8000/RP8000E							
19	Drain Bolt	501-5404	1	19	19	9	8	RP8000/RP8000E							
21	WASHER, FLAT		1	16	16	1.5	0.4	RP8000/RP8000E							
17	WIRE PROTECT COVER		1	23	18	7	3	RP8000/RP8000E							
15	PROTECTOR, OIL		1	50	30	20	22	RP8000/RP8000E							512-8289
18	BOLT		1	31	14	14	8.8	RP8000/RP8000E							
14	BOLT		1	19	16	16	208	RP8000/RP8000E							



RP6500 CRANKCASE ASSY.

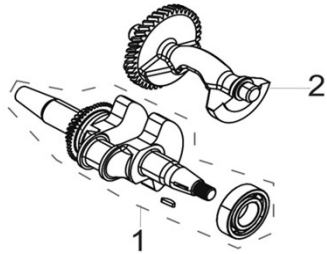
REF.NO.	Description	CAT Part Number	Group QTY	L mm	W mm	H mm	Weight g	Model	CAT Group Part Number	Group Name	L mm	W mm	H mm	Weight kg	Valid From
1	CRANKCASE SUBASSEMBLY.		1	370	280	190	5000	RP6500	530-1246	CRANKCASE GP	370	280	220	5.0754	
4	PLUG, RUBBER		1	25	20	8	3.2	RP8000/RP8000E							
5	DRAIN PIPE		1	50	14	14	30	RP8000/RP8000E							
6	BOLT, DRAIN PLUG		3	23	18	7	3	RP8000/RP8000E							
13	CLIP		1	100	12	2	5	RP8000/RP8000E							
16	WASHER, FLAT		2	21	21	2	1	RP8000/RP8000E							
19	Drain Bolt	501-5404	1	19	19	9	8	RP8000/RP8000E							
21	WASHER, FLAT		1	16	16	1.5	0.4	RP8000/RP8000E							
15	PROTECTOR, OIL		1					RP8000/RP8000E							
17	WIRE PROTECT COVER		1					RP6500							530-1247
22	BOLT		1					RP6500							
23	NUT		1					RP6500							



CRANKCASE COVER

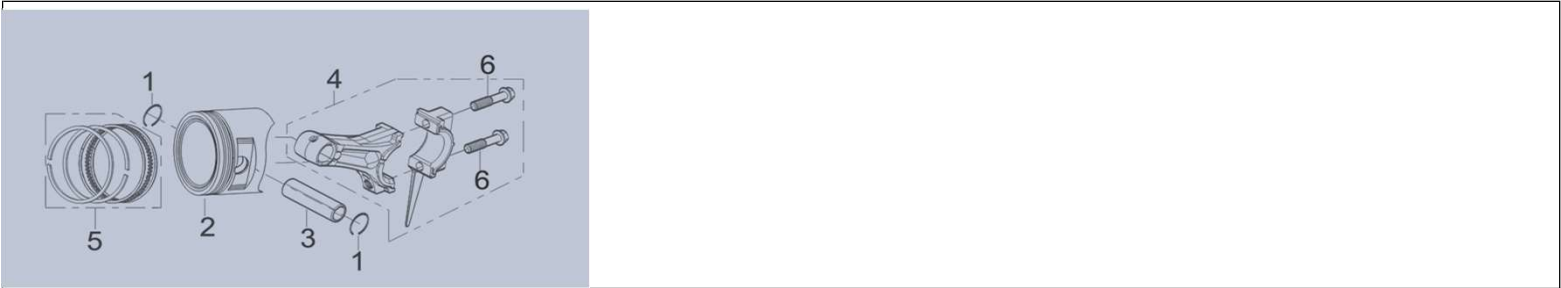
REF.NO.	Description	CAT Part Number	Group QTY	L mm	W mm	H mm	Weight g	Model	CAT Group Part Number	Group Name	L mm	W mm	H mm	Weight kg	Valid From
1	COVER, CRANKCASE		1	270	240	114	1580	RP6500/RP6500E/7500E/8000E							
2	GASKET, CRANKCASE	511-7243	1	270	215	1	4.5	RP8000/RP8000E	512-8290	COVER GP-REAR	270	240	130	1.7275	
4	PIN		2	11	7	7	1.5	RP8000/RP8000E							
5	BOLT		7	50	18	18	20	RP8000/RP8000E							
6	BEARING, DEEP GROOVE BALL		1	80	80	20	280	RP8000/RP8000E							
8	SEAL, OIL		1	55	55	8	15	RP8000/RP8000E	501-5443	BEARING GP -B	80	80	50	0.335	
9	BEARING, DEEP GROOVE BALL		1	40	40	13	40	RP8000/RP8000E							
3	DIPSTICK SUBASSEMBLY, OIL	501-5087	1	86	37	31	20	RP8000/RP8000E							
7	GEAR ASSY, GOVERNOR	511-8847	1	65	60	60	62.8	RP8000/RP8000E							

R420-VC1711000605 Note: bearing assembly process revised from R420-VC1712000903
R420-VC1711000605 Note: bearing assembly process revised from R420-VC1712000903
R420-VC1711000605 Note: bearing assembly process revised from R420-VC1712000903



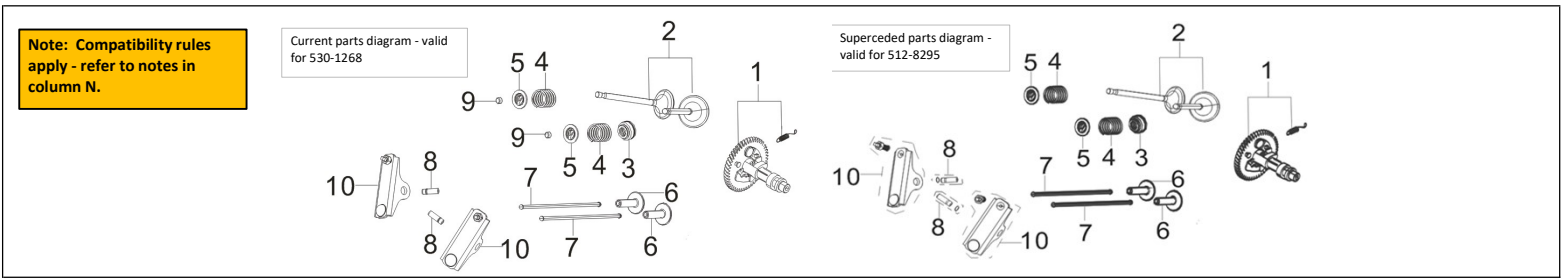
CRANKSHAFT ASSY.

REF.NO.	Description	CAT Part Number	Group QTY	L mm	W mm	H mm	Weight g	Model	CAT Group Part Number	Group Name	L mm	W mm	H mm	Weight kg	Valid From
1	CRANKSHAFT ASSY.		1	300	110	115	3860	RP8000/RP8000E							
2	SHAFT ASSY, BALANCING		1	140	90	90	760	RP8000/RP8000E	512-8292	CRANKSHAFT GP	300	115	200	4.62	



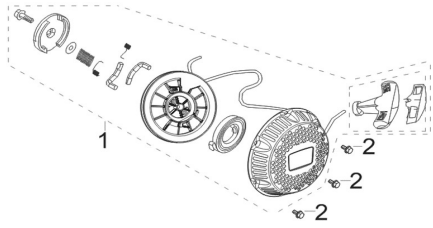
PISTON/CONNECTING ROD

REF.NO.	Description	CAT Part Number	Group QTY	L mm	W mm	H mm	Weight g	Model	CAT Group Part Number	Group Name	L mm	W mm	H mm	Weight kg	Valid From
5	PISTON RINGS SET	511-7264	1	95	95	3	20	RP8000/RP8000E							
1	CLIP, PISTON PIN		2	25	25	1	0.4	RP8000/RP8000E							
2	PISTON		1	65	25	25	39	RP8000/RP8000E	512-8293	PISTON GP	100	100	100	0.3518	
3	PIN, PISTON		1	100	100	70	312	RP8000/RP8000E							
4	ROD, CONNECTING		1	170	160	30	260	RP8000/RP8000E	512-8294	ROD GP-CONN	170	160	45	0.293	
6	BOLT, CONNECTING ROD		2	44	15	15	16.5	RP8000/RP8000E							



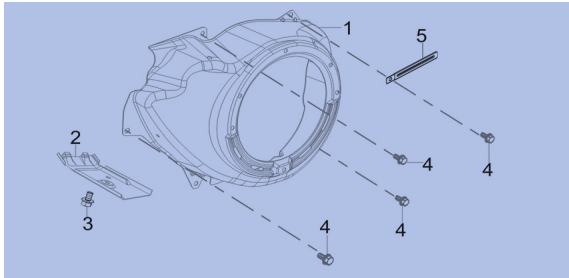
CAMSHAFT ASSY.

REF.NO.	Description	CAT Part Number	Group QTY	L mm	W mm	H mm	Weight g	Model	CAT Group Part Number	Group Name	L mm	W mm	H mm	Weight kg	Valid From
1	CAMSHAFT ASSY.		1	125	120	120	835	RP8000/RP8000E	530-1268	CAMSHAFT GP	192	120	180	1.2628	R420-VC1907001401
2	VALVES SET		1	95	35	35	75	RP8000/RP8000E							R420-VC1907001401
3	GUIDE, SEAL		1	10	10	8	0.8	RP8000/RP8000E							R420-VC1907001401
4	SPRING, VALVE		2	40	25	25	14	RP8000/RP8000E							R420-VC1907001401
5	SEAT, VALVE SPRING		2	22	25	5	5	RP8000/RP8000E							R420-VC1907001401
6	TAPPET, VALVE		2	50	30	30	29	RP8000/RP8000E							R420-VC1907001401
7	LIFTER SUBASSEMBLY, VALVE		2	192	5	5	60.2	RP8000/RP8000E							R420-VC1907001401
8	ROCKER SHAFT		2	38	10	10	12	RP8000/RP8000E							R420-VC1907001401
9	ROTATOR, VALVE		2	10	10	10	6	RP8000/RP8000E							R420-VC1907001401
10	ROCKER ARM, VALVE		2	165	25	22	109.4	RP8000/RP8000E							R420-VC1907001401



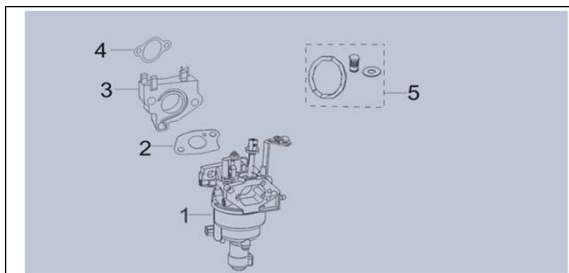
RECOIL ASSY.

REF.NO.	Description	CAT Part Number	Group QTY	L mm	W mm	H mm	Weight g	Model	CAT Group Part Number	Group Name	L mm	W mm	H mm	Weight kg	Valid From
1	STARTER ASSY, RECOIL		1	258	258	48	709.8	RP8000/RP8000E	512-8296	PULLEY GP-CSHAFT	258	258	60	0.7536	
2	BOLT		3	15	15	11	14.6	RP8000/RP8000E							



SHROUD ASSY.

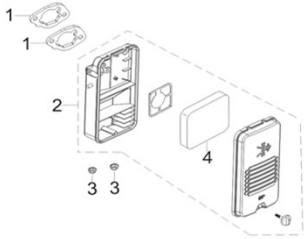
REF.NO.	Description	CAT Part Number	Group QTY	L mm	W mm	H mm	Weight g	Model	CAT Group Part Number	Group Name	L mm	W mm	H mm	Weight kg	Valid From
1	SHROUD		1	380	142	264	842.5	RP8000/RP8000E	512-8297	SHROUD GP-AIR	380	264	210	1.1001	
2	SHROUD, CYLINDER BODY		1	170	55	75	120.6	RP8000/RP8000E							
3	BOLT		1	19	16	16	208	RP8000/RP8000E							
4	BOLT		5	19	16	16	208	RP8000/RP8000E							
5	CLIP		1	100	12	2	5	RP8000/RP8000E							



CARBURETOR ASSY.

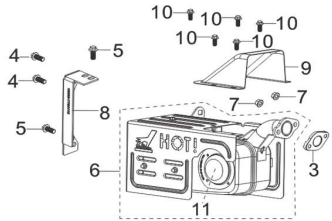
REF.NO.	Description	CAT Part Number	Group QTY	L mm	W mm	H mm	Weight g	Model	CAT Group Part Number	Group Name	L mm	W mm	H mm	Weight kg	Valid From
1	CARBURETOR ASSY.	511-7277	1	190	90	60	437.8	RP8000/RP8000E	512-8298	CARBURETOR GP-R	190	90	70	0.4868	
2	GASKET, CARBURETOR	511-7269	1	65	43	2	1	RP8000/RP8000E							

3	PLATE, CARBURETOR INSULATOR	511-7271	1	70	16	2	47.4	RP8000/RP8000E							
4	GASKET, INLET	511-8857	1	68	38	2	0.6	RP8000/RP8000E							
5	High Altitude Kit(3000-6000ft)	501-5088	1					RP8000/RP8000E							
	High Altitude Kit(6000-8000ft)	501-5089	1					RP8000/RP8000E							



AIR CLEANER ASSY.

REF.NO.	Description	CAT Part Number	Group QTY	L mm	W mm	H mm	Weight g	Model	CAT Group Part Number	Group Name	L mm	W mm	H mm	Weight kg	Valid From
1	GASKET, AIR CLEANER	511-7286	2	70	45	2	1.2	RP8000/RP8000E	512-8299	CLEANER GP-AIR-B	260	75	40	0.4764	
2	CLEANER, AIR		1	260	15	75	448.2	RP8000/RP8000E							
3	NUT		2	15	6	15	6.8	RP8000/RP8000E							
4	FILTER, AIR CLEANER	511-7290	1	40	17	22	12.2	RP8000/RP8000E							

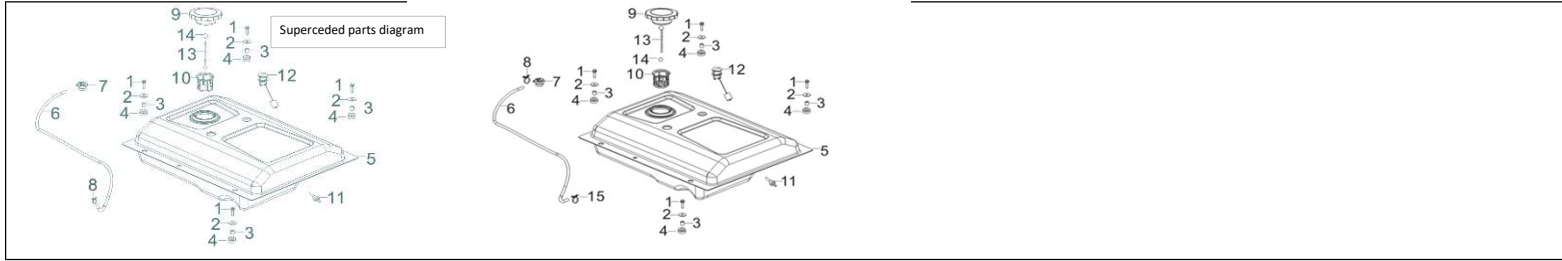


RP7500E/ RP8000/RP8000EE MUFFLER ASSY.

REF.NO.	Description	CAT Part Number	Group QTY	L mm	W mm	H mm	Weight g	Model	CAT Group Part Number	Group Name	L mm	W mm	H mm	Weight kg	Valid From
3	GASKET, EXHAUST OUTLET	511-7291	1	70	46	1	8.4	RP8000/RP8000E	512-8300	MUFFLER GP	280	240	280	3.7497	
4	BOLT		2	24	18	18	23	RP8000/RP8000E							
5	BOLT		2	24	18	18	23	RP8000/RP8000E							
8	BRACKET, MUFFLER		1	165	49	5	152.6	RP8000/RP8000E							
6	MUFFLER ASSEMBLY		1	280	200	240	3352	RP8000/RP8000E							
7	NUT		2	13	13	7	4.6	RP8000/RP8000E							
9	Muffer Air Guide Cover		1	150	130	70	216	RP8000/RP8000E							
10	BOLT		5	18	13.5	13.5	6.5	RP8000/RP8000E							
11	SPARK ARRESTOR	501-5080	1	85	15	93	30	RP8000/RP8000E							

RP6500/RP6500E MUFFLER ASSY.

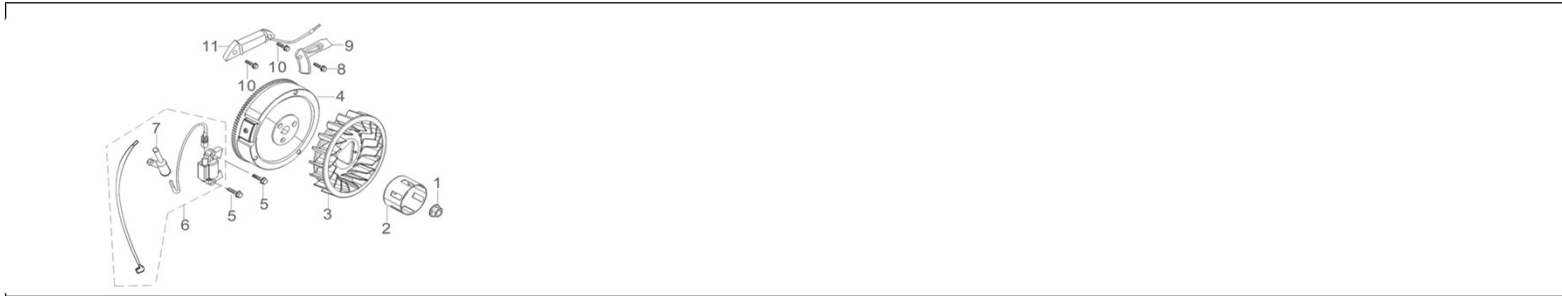
4	BOLT		2	24	18	18	23	RP8000/RP8000E	512-8301	MUFFLER GP	280	240	280	3.8065
5	BOLT		2	24	18	18	23	RP8000/RP8000E						
8	BRACKE,MUFFLER MUFFLER		1	165	49	5	152.6	RP8000/RP8000E						
2	BOLT		2	40	18	18	31.8	RP8000/RP8000E						
6	MUFFLER ASSEMBLY		1	280	200	240	3352	RP6500/RP6500E						
7	NUT		2	13	13	7	4.6	RP8000/RP8000E						
9	Muffer Air Guide Cover		1	150	130	70	216	RP8000/RP8000E						
10	BOLT		4	18	13.5	13.5	6.5	RP8000/RP8000E						
11	SPARK ARRESTOR	501-5080	1	85	15	93	30	RP8000/RP8000E						



FUEL TANK ASSY.

REF.NO.	Description	CAT Part Number	Group QTY	L mm	W mm	H mm	Weight g	Model	CAT Group Part Number	Group Name	L mm	W mm	H mm	Weight kg	Valid From
6	HOSE, FUEL STEAM RUBBER		1	870	10	10	43	RP8000/RP8000E	512-8302	VENT GP-FUEL	250	250	80	0.0704	
7	ROLLOVER VALVE		1	33	50	33	24.2	RP8000/RP8000E							
8	CLAMP		1	20	8	20	1.6	RP8000/RP8000E							
9	FUEL CAP		1	96	40	96	189.6	RP8000/RP8000E	512-8303	CAP GP-FUEL	165	165	60	0.1952	
13	CHAIN, FUEL CAP		1	165	10	165	5.4	RP8000/RP8000E							
14	CLIP, FUEL CAP CHAIN		1	11	11	2	0.2	RP8000/RP8000E							
1	BOLT		4	31	14	14	8.8	RP8000/RP8000E	501-5423	TANK GP-FUEL (B)	640	510	200	6.1764	
2	WASHER		4	25	2	25	27.4	RP8000/RP8000E							
3	BUSH		4	14	12	14	19	RP8000/RP8000E							
4	SLEEVE, FUEL TANK RUBBER		4	14	26	14	21	RP8000/RP8000E							
5	TANK, FUEL	511-7281	1	640	510	180	5748.2	RP8000/RP8000E							
12	LEVELER GAUGE, FUEL	501-5422	1	145	35	35	17.8	RP8000/RP8000E							
10	STRAINER, FUEL	511-8851	1	51	59	51	7.2	RP8000/RP8000E							
11	FUEL OUTLET NOZZLE	511-8853	1	54	21	21	4.2	RP8000/RP8000E							

R420-VC1704000001
R420-VC1704000001
R420-VC1704000001
R420-VC1704000001
R420-VC1704000001
R420-VC1704000001



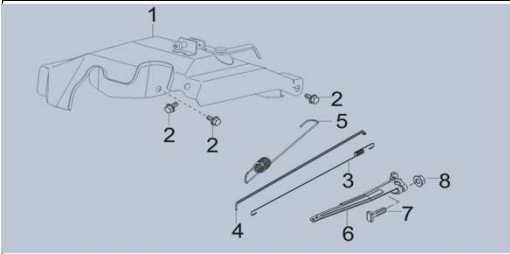
RP6500E/RP7500E/ RP8000/RP8000EE FLYWHEEL ASSY.

REF.NO.	Description	CAT Part Number	Group QTY	L mm	W mm	H mm	Weight g	Model	CAT Group Part Number	Group Name	L mm	W mm	H mm	Weight kg	Valid From
5	BOLT		2	35	15	15	8.6	RP8000/RP8000E	512-8305	COIL GP-IGNITION	395	50	60	0.2898	
6	COIL, IGNITION		1	395	50	30	241	RP8000/RP8000E							
7	CAP, SPARK PLUG		1	85	32	22	32	RP8000/RP8000E							
1	NUT, FLYWHEEL		1	30	30	25	35.2	RP8000/RP8000E	512-8306	FLYWHEEL GP	210	210	170	6.4492	
2	CUP, STARTER		1	75	75	65	191.2	RP8000/RP8000E							
3	IMPELLER		1	210	210	45	221.4	RP8000/RP8000E							
4	FLYWHEEL SUBASSEMBLY		1	210	210	58	6000	RP8000/RP8000E	512-8307	CHARGER GP-BTRY	110	50	40	0.2178	
8	BOLT		1	19	16	16	208	RP8000/RP8000E							
9	CLAMP, CHARGE COIL		1	70	50	5	13.8	RP8000/RP8000E							
10	BOLT		2	40	16	16	8.5	RP8000/RP8000E							
11	COIL SUBASSEMBLY, CHARGE		1	110	28	24	165	RP8000/RP8000E							



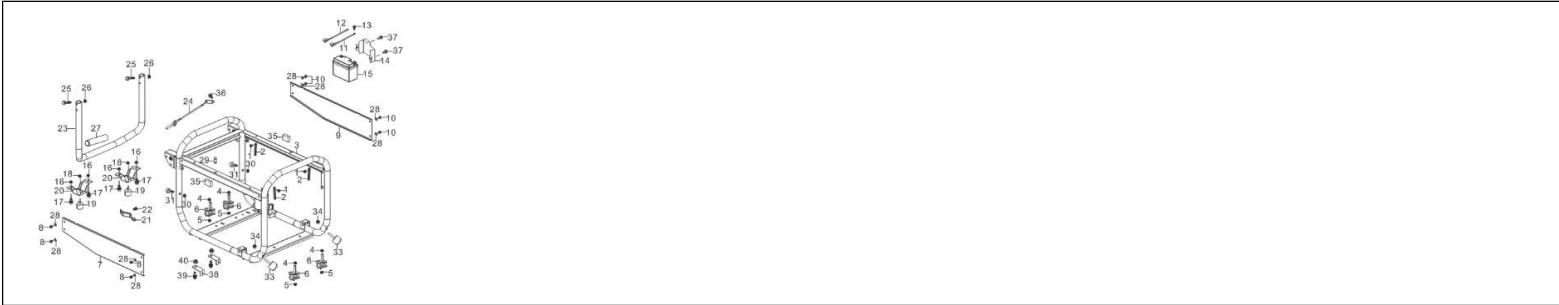
RP6500 FLYWHEEL ASSY.

REF.NO.	Description	CAT Part Number	Group QTY	L mm	W mm	H mm	Weight g	Model	CAT Group Part Number	Group Name	L mm	W mm	H mm	Weight kg	Valid From
1	NUT, FLYWHEEL		1	30	30	25	35.2	RP8000/RP8000E	530-1248	FLYWHEEL GP	210	210	170	6.4492	
2	CUP, STARTER		1	75	75	65	191.2	RP8000/RP8000E							
3	IMPELLER		1	210	210	45	221.4	RP8000/RP8000E							
4	FLYWHEEL SUBASSEMBLY		1	210	210	58	6000	Not Available							



GOVERNOR CONTROL ASSY.

REF.NO.	Description	CAT Part Number	Group QTY	L mm	W mm	H mm	Weight g	Model	CAT Group Part Number	Group Name	L mm	W mm	H mm	Weight kg	Valid From
1	CONTROL ASSY, THROTTLE		1	280	220	50	356	RP8000/RP8000E	512-8309	GOVERNOR GP -E	280	220	100	0.514	
2	BOLT		3	19	16	16	208	RP8000/RP8000E							
3	SPRING, THROTTLE VALVE RETURNING		1	221	6	15	0.8	RP8000/RP8000E							
4	ROD, GOVERNEOR		1	238	10	10	7.6	RP8000/RP8000E							
5	SPRING, GOVERNOR	511-7275	1	137	12	12	23.6	RP8000/RP8000E							
6	SUPPORT SUBASSEMBLY, GOVERNOR		1	180	42	15	50.4	RP8000/RP8000E							
7	BOLT, GOVERNOR SUPPORT		1	25	13.5	25	2.8	RP8000/RP8000E							
8	NUT		1	15	6	15	6.8	RP8000/RP8000E							

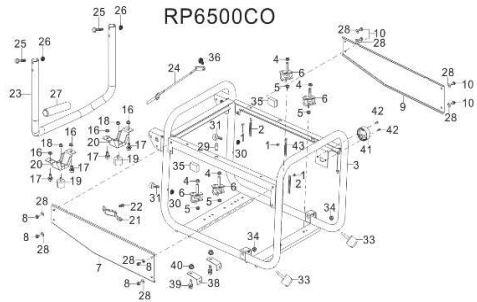


RP7500E FRAME ASSY.

REF.NO.	Description	CAT Part Number	Group QTY	L mm	W mm	H mm	Weight g	Model	CAT Group Part Number	Group Name	L mm	W mm	H mm	Weight kg	Valid From
1	BOLT		3	18	13.5	13.5	6.5	RP8000/RP8000E							
2	CLIP		3	100	12	2	5	RP8000/RP8000E							
3	FRAME ASSY		1	780	530	580	8400	RP7500E							
29	PROTECT RUBBER		1	13	10	10	1	RP8000/RP8000E							
30	NYLON NUT		2	8.65	8	5	3	RP8000/RP8000E							
31	ISOLATOR		2	11.5	19.5	19.5	5	RP8000/RP8000E	512-8310	FRAME GP	780	580	530	8.5675	
33	RUBBER CUSHION		2	67	34	34	55	RP8000/RP8000E							
34	CAP NUT		2	8.7	8.7	5	0.5	RP8000/RP8000E							
35	SOUND ABSORBING COTTON		2	50	25	25	0.5	RP8000/RP8000E							
4	NUT		4	21	12	21	47	RP8000/RP8000E							
5	NUT		4	8	17	8	26.6	RP8000/RP8000E	512-8311	ISOLATOR GP	86	80	60	0.6384	
6	ISOLATOR, FRAME		4	86	80	45	86	RP8000/RP8000E							
7	LEFT SIDE PANEL		1	650	120	10	996.6	RP8000/RP8000E							
8	BOLT		4	18	13.5	13.5	6.5	RP8000/RP8000E	512-8312	COVER GP-LH	650	120	30	1.027	
28	WASHER		8	12	12	1	0.4	RP8000/RP8000E							
9	RIGHT SIDE PANEL		1	650	120	10	996.6	RP8000/RP8000E							
10	BOLT		4	18	13.5	13.5	6.5	RP8000/RP8000E	512-8313	COVER GP-RH	650	120	30	1.0242	
28	WASHER		1	12	12	1	0.4	RP8000/RP8000E							
11	WIRE, POSITIVE		1	35	10	5	23.6	RP8000/RP8000E							
12A	WIRE, NEGATIVE (FROM BATTERY)		1					RP8000/RP8000E							R420-VC1704000001
12B	WIRE, NEGATIVE (FROM G-HEAD)		1					RP8000/RP8000E							R420-VC1704000001
13	BOLT		1	19	8	19	36	RP8000/RP8000E	501-5428	BATTERY GP-MTG&	150	85	120	0.7	R420-VC1704000001
14	BATTERY PRESSURE PLATE	501-5090	1	150	85	32	189	RP8000/RP8000E							R420-VC1704000001
15	BATTERY	511-7304	1	105	54	85	412	RP8000/RP8000E							R420-VC1704000001
37	BOLT		2	22.5	14	14	7	RP8000/RP8000E							R420-VC1704000001
16	NUT		4	8	17	8	27.2	RP8000/RP8000E							
17	BOLT		4	25	17	25	47	RP8000/RP8000E							
18	NUT		2	8	17	8	13.6	RP8000/RP8000E	512-8315	SUPPORT GP-FRAME	154	55	100	1.7532	
19	FOOT, FRAME SUPPORT BRACKET		2	37	37	37	109.2	RP8000/RP8000E							
20	SUPPORT BRACKET, FRAME		2	154	55	53	605.4	RP8000/RP8000E							
21	SUPPORT BRACKET, ATR CLEANER		1	140	21	30	6.6	RP8000/RP8000E	512-8316	SUPPORT GP-ACL	140	30	40	0.0286	
22	BOLT		1	19	16	16	208	RP8000/RP8000E							
23	HANDLE		1	440	515	130	1600	RP8000/RP8000E							
24	LOCK PIN		1	25	2	25	37.4	RP8000/RP8000E							
25	BOLT		2	60	17	17	56.8	RP8000/RP8000E	512-8317	BRACKET GP -D	515	440	200	1.8236	
26	NUT		2	8	17	8	27.2	RP8000/RP8000E							
27	FOAM, HANDLE		1	208	40	40	21	RP8000/RP8000E							
36	BOLT		1	18	13.5	13.5	6.5	RP8000/RP8000E							
38	FOOT, FRAME SUPPORT BRACKET		2					RP8000/RP8000E							
39	BOLT		2					RP8000/RP8000E							
40	NUT		2					RP8000/RP8000E							

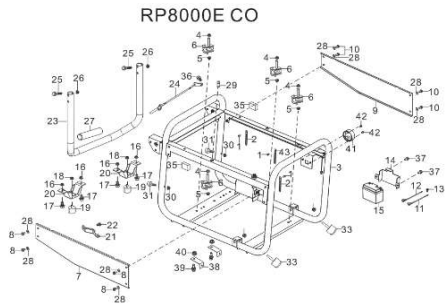
RP6500E FRAME ASSY.

1	BOLT		3	18	13.5	13.5	6.5	RP8000/RP8000E	512-8318	FRAME GP	780	580	530	8.5675
2	CLIP		3	100	12	2	5	RP8000/RP8000E						
3	FRAME ASSY		1	780	530	580	8400	RP6500E						
29	PROTECT RUBBER		1	13	10	10	1	RP8000/RP8000E						
30	NYLON NUT		2	8.65	8	5	3	RP8000/RP8000E						
31	ISOLATOR		2	11.5	19.5	19.5	5	RP8000/RP8000E						
33	RUBBER CUSHION		2	67	34	34	55	RP8000/RP8000E						
34	CAP NUT		2	8.7	8.7	5	0.5	RP8000/RP8000E						
35	SOUND ABSORBING COTTON		2	50	25	25	0.5	RP8000/RP8000E						



RP6500 CO FRAME ASSY.

1	BOLT		3	18	13.5	13.5	6.5	RP8000/RP8000E	530-1249	FRAME GP	780	580	530	8.5675
2	CLIP		2	100	12	2	5	RP8000/RP8000E						
43	CLIP		1					RP8000/RP8000E						
3	FRAME ASSY		1	780	530	580	8400	RP6500						
29	PROTECT RUBBER		1	13	10	10	1	RP8000/RP8000E						
30	NYLON NUT		2	8.65	8	5	3	RP8000/RP8000E						
31	ISOLATOR		2	11.5	19.5	19.5	5	RP8000/RP8000E						
33	RUBBER CUSHION		2	67	34	34	55	RP8000/RP8000E						
34	CAP NUT		2	8.7	8.7	5	0.5	RP8000/RP8000E						
35	SOUND ABSORBING COTTON		2	50	25	25	0.5	RP8000/RP8000E						



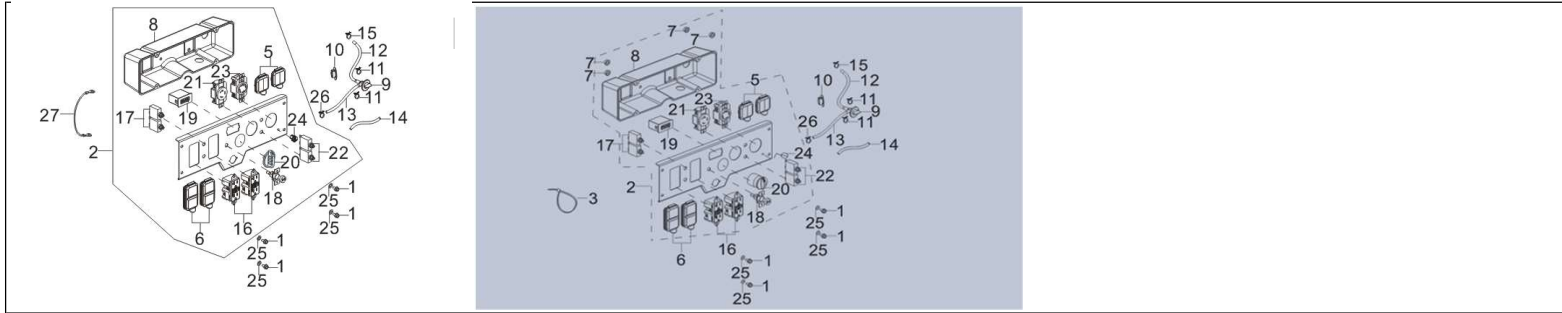
RP8000/RP8000EE CO FRAME ASSY.

1	BOLT		3	18	13.5	13.5	6.5	RP8000/RP8000E	530-1250	FRAME GP	780	580	530	8.5675
2	CLIP		2	100	12	2	5	RP8000/RP8000E						
43	CLIP		1					RP8000/RP8000E						
3	FRAME ASSY		1	780	530	580	8400	RP8000/RP8000EE						
29	PROTECT RUBBER		1	13	10	10	1	RP8000/RP8000E						
30	NYLON NUT		2	8.65	8	5	3	RP8000/RP8000E						
31	ISOLATOR		2	11.5	19.5	19.5	5	RP8000/RP8000E						
33	RUBBER CUSHION		2	67	34	34	55	RP8000/RP8000E						

34	CAP NUT		2	8.7	8.7	5	0.5	RP8000/RP8000E					
35	SOUND ABSORBING COTTON		2	50	25	25	0.5	RP8000/RP8000E					

CO MODULE

41	CO MODULE		1					RP8000/RP8000E	530-1238	DETECTOR-CO	65	65	40	0.4
42	BOLT		2					RP8000/RP8000E						

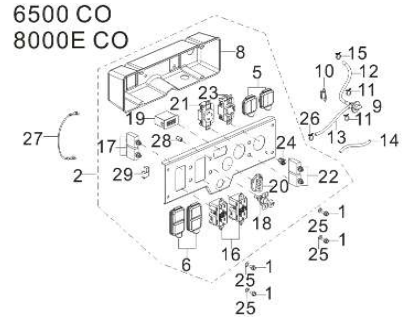


RP7500E CONTROL PANEL ASSY.

REF.NO.	Description	CAT Part Number	Group QTY	L mm	W mm	H mm	Weight g	Model	CAT Group Part Number	Group Name	L mm	W mm	H mm	Weight kg	Valid From
1	BOLT		4	18	13.5	13.5	6.5	RP8000/RP8000E							
2	PANEL SUBASSEMBLY, CONTROL		1	450	140	150	1958	RP7500E	512-8319	PANEL GP-CONT-B	450	150	160	1.9884	
25	WASHER		4					RP8000/RP8000E							
9	FUEL VALVE	511-7283	1	57	33	57	8.2	RP8000/RP8000E							
10	FUEL VALVE BASEMENT		1	40	1.3		2.8	RP8000/RP8000E							
11	CLAMP		2	20	8	20	1.6	RP8000/RP8000E							
12	TUBE, FUEL		1	35	9		21	RP8000/RP8000E	512-8320	VALVE GP-FUEL	57	57	60	0.0576	
13	TUBE, FUEL		1	18	9		13.4	RP8000/RP8000E							
14	JACKET, RUBBER		1	45	13		2.6	RP8000/RP8000E							
15	CLAMP		1	20	9	10	1.6	RP8000/RP8000E							
26	CLAMP		1	20	9	10	1.6	RP8000/RP8000E							
5	RAIN COVER	511-8897	2	65	50	15	26.4	RP8000/RP8000E							
6	RAIN COVER, DUPLEX	511-8898	2	95	47	20	40.8	RP8000/RP8000E							
8	COVER, PANEL REAR	511-8894	1	392	115	100	224	RP5500/RP6500E/7500E							
16	SOCKET SUBASSEMBLY, POWER SUPPLY	511-8058	2					RP5500/RP6500E/7500E							
17	PROTECTOR, OVERCURRENT	511-8047	2					RP3600/RP5500/RP6500E/7500E							
18	CHOKE CABLE	511-8036	1					RP3600/RP5500/RP6500E/7500E							
19	TIMER	511-8060	1					RP3600/RP5500/RP6500E/7500E							
20	SWITCH SUBASSEMBLY	511-8054	1					RP8000/RP8000E							
21	SOCKET SUBASSEMBLY, POWER SUPPLY	511-8057	1					RP6500E/7500E							
22	PROTECTOR, OVERCURRENT	501-5091	2					RP7500E							
23	SOCKET SUBASSEMBLY, POWER SUPPLY	511-8056	1					RP6500E/7500E							
24	LED LIGHT	501-5092	1					RP7500E							
27	GROUND WIRE	530-1269	1					RP8000/RP8000E CSA/EPA/CARB							
30	ON / OFF KNOB	501-5455	1	50	50	40	15	RP3600/RP5500/RP6500E/7500E							

RP6500E CONTROL PANEL ASSY.

1	BOLT		4	18	13.5	13.5	6.5	RP8000/RP8000E							
2	PANEL SUBASSEMBLY, CONTROL		1	450	140	150	1958	RP6500E	512-8321	PANEL GP-CONT-B	450	150	170	1.9884	
25	WASHER		4	12	12	1	0.4	RP8000/RP8000E							
22	PROTECTOR, OVERCURRENT	511-8050	2					RP6500/RP6500E							
24	LED LIGHT	501-5081	1					RP3600/5500/6500E							

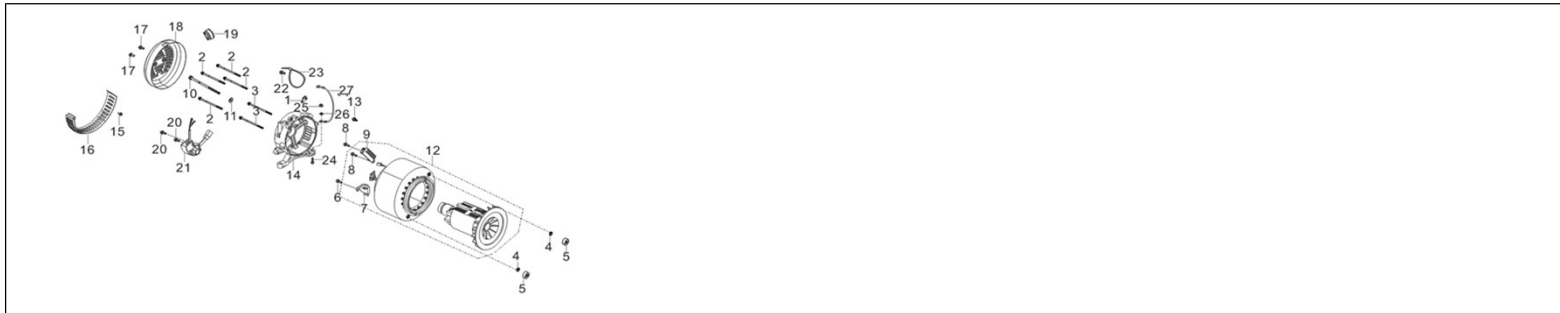


RP6500 CO CONTROL PANEL ASSY.

1	BOLT		4	18	13.5	13.5	6.5	RP8000/RP8000E								
2	PANEL SUBASSEMBLY, CONTROL		1	450	140	150	1958	RP6500	530-1239	PANEL GP-CONT-B	450	150	170	1.9884		
25	WASHER		4	12	12	1	0.4	RP8000/RP8000E								
20	SWITCH SUBASSEMBLY	511-8053	1					RP6500								
28	LED INDICATOR	530-1252	1					RP8000/RP8000E								
29	CONTROLLER	530-1261	1					RP8000/RP8000E								

RP8000/RP8000EE CO CONTROL PANEL ASSY.

1	BOLT		4	18	13.5	13.5	6.5	RP8000/RP8000E								
2	PANEL SUBASSEMBLY, CONTROL		1	450	140	150	1958	RP8000/RP8000E	530-1240	PANEL GP-CONT-B	450	150	170	1.9884		
25	WASHER		4	12	12	1	0.4	RP8000/RP8000E								
20	SWITCH SUBASSEMBLY	530-1255	1					RP8000/RP8000E								
22	PROTECTOR, OVERCURRENT	530-1257	2					RP8000/RP8000E								
24	LED LIGHT	530-1251	1					RP8000/RP8000E								



RP7500E GENERATOR ASSY.

REF.NO.	Description	CAT Part Number	Group QTY	L mm	W mm	H mm	Weight g	Model	CAT Group Part Number	Group Name	L mm	W mm	H mm	Weight kg	Valid From
1	TERMINAL SUBASSEMBLY, GROUNDING							RP6500E/7500E							
2	BOLT							RP7500E							
3	BOLT							RP7500E							
4	WASHER							RP6500E/7500E							
5	NUT							RP6500E/7500E							
6	BOLT		1	21	12	12	4	RP5500/RP6500E/7500E	501-5402	BRUSH GP	65	40	36	0.02	
7	BRUSH SUBASSEMBLY, CARBON		1	40	40	36	16	RP5500/RP6500E/7500E							
8	BOLT							RP6500E/7500E							
9	BLOCK, TERMINAL							RP6500E/7500E							
10	BOLT							RP7500E							
11	WASHER							RP6500E/7500E							
12	MOTOR ASSY.							RP7500E							

13	BOLT								RP6500E/7500E										
14	BRACKET, MOTOR								RP6500E/7500E										
15	BOLT								RP6500E/7500E										
16	SHROUD, MOTOR								RP6500E/7500E										
22	BOLT								RP6500E/7500E										
23	BAND								RP6500E/7500E										
24	BOLT								RP7500E										
25	NUT								RP7500E										
26	LOCK WASHER								RP7500E										
27	GROUND WIRE								RP6500E/7500E										
17	BOLT		2	16	12	12	6.8		RP5500/RP6500E/7500E										
18	COVER, MOTOR TAIL		1	190	47	50	281		RP5500/RP6500E/7500E	512-8322	COVER GP	190	50	80					0.2984
19	STOPPER, MOTOR RIGHT COVER		1	30	20	14	3.8		RP5500/RP6500E/7500E										
20	BOLT		2	21	11	11	4		RP6500E/7500E										
21	REGULATOR, VOLTAGE	511-7300	1	155	65	55	256.8		RP6500E/7500E	512-8323	REGULATOR GP -H	240	65	60					0.257
28	GEN HEAD ASSY(Include items 1 - 27)	501-5093	1	400	250	250			RP7500E/ RP8000/RP8000EE										

RP6500E GENERATOR ASSY.

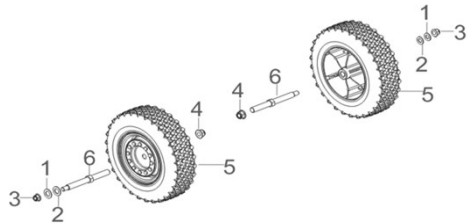
2	BOLT								RP6500/RP6500E										
3	BOLT								RP6500/RP6500E										
10	BOLT								RP6500/RP6500E										
12	MOTOR ASSY.								RP6500E										
28	GEN HEAD ASSY(Include items 1 - 27)	501-5094	1	400	250	250			RP6500E										

RP6500 GENERATOR ASSY.

2	BOLT								RP6500/RP6500E										
3	BOLT								RP6500/RP6500E										
10	BOLT								RP6500/RP6500E										
12	MOTOR ASSY.								RP6500										
28	GEN HEAD ASSY(Include items 1 - 27)	530-1253	1	400	250	250			RP6500										

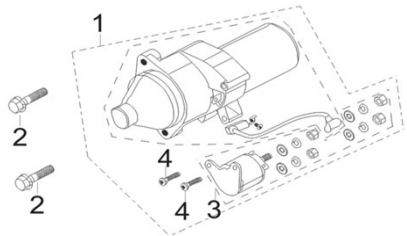
RP8000/RP8000EE GENERATOR ASSY.

12	MOTOR ASSY.								RP8000/RP8000EE										
28	GEN HEAD ASSY(Include items 1 - 27)	501-5093	1	400	250	250			RP7500E/ RP8000/RP8000EE										



WHEEL ASSY.

REF.NO.	Description	CAT Part Number	Group QTY	L mm	W mm	H mm	Weight g	Model	CAT Group Part Number	Group Name	L mm	W mm	H mm	Weight kg	Valid From
1	WASHER		2	20	0.5	20	4.8	RP8000/RP8000E							
2	WASHER		2	24	24	1.2	3	RP8000/RP8000E							
3	NUT		2	10	18.5	10	16.4	RP8000/RP8000E							
4	NUT		2	10	18.5	10	16.4	RP8000/RP8000E							
6	AXLE, WHEEL		2	142	17	142	137.4	RP8000/RP8000E							
5	WHEEL	511-7307	2	240	80	240	1556.4	RP8000/RP8000E	512-8324	WHEEL GP-TIRE&	240	240	50	3.4688	



STARTER MOTOR ASSY.

REF.NO.	Description	CAT Part Number	Group QTY	L mm	W mm	H mm	Weight g	Model	CAT Group Part Number	Group Name	L mm	W mm	H mm	Weight kg	Valid From
1	MOTOR, STARTING	511-8812	1	210	140	140	1850	RP6500E/7500E	512-8325	MOTOR GP-ELECSTG	210	140	200	1.985	
2	BOLT			45	20	20	18.4	RP6500E/7500E							
3	RELAY, STARTING	501-5095	1	66	58	40	135	RP6500E/7500E							
4	BOLT			21	11	11	4	RP6500E/7500E							

FULL ENGINE ASSY.

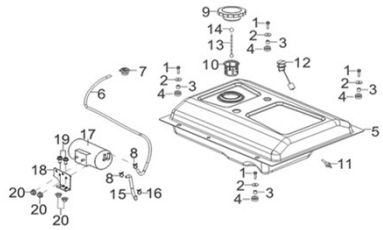
REF.NO.	Description	CAT Part Number	Group QTY	L mm	W mm	H mm	Weight g	Model	CAT Group Part Number	Group Name	L mm	W mm	H mm	Weight kg	Valid From
E00-1	ENGINE R420D-V	511-8016	1					RP8000/RP8000E							
E00-1	ENGINE R420-V	530-1259	1					RP6500							



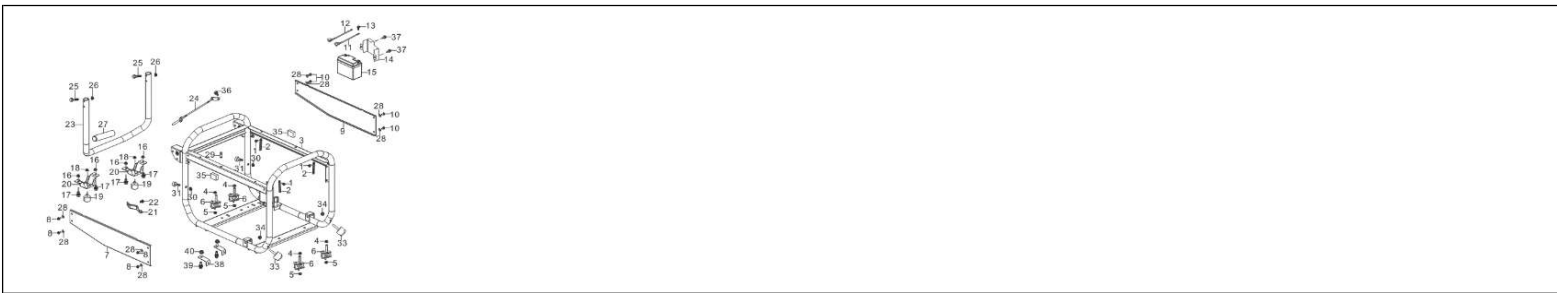
TOOL KIT.

REF.NO.	Description	CAT Part Number	Group QTY	L mm	W mm	H mm	Weight g	Model	CAT Group Part Number	Group Name	L mm	W mm	H mm	Weight kg	Valid From
1	SPARK PLUG WRENCH KIT		1	155	23	23	137	RP8000/RP8000E	501-5146	TOOL GP	230	120	40	0.424	
2	SCREWDRIVER		1	210	33	33	85	RP8000/RP8000E							
3	SPANNER, DOUBLE ENDED		2	135	30	5	67	RP8000/RP8000E							
4	SPANNER, DOUBLE ENDED		1	120	13	4	48	RP8000/RP8000E							
5	TOOL KIT BAG		1	230	120	20	20	RP8000/RP8000E							
6	FUNNEL, FILLING OIL	501-5147	1	380	110	80		RP8000/RP8000E							
7	POWER CORD 25' L14-30P TO (4) 5-20R	502-3692	1					RP6500							

CARB Version



REF.NO.	Description	CAT Part Number	Group QTY	L mm	W mm	H mm	Weight g	Model	CAT Group Part Number	Group Name	L mm	W mm	H mm	Weight kg	Valid From
6	HOSE, FUEL STEAM RUBBER		1	870	10	10	43	RP5500/RP6500E/RP7500E	512-8326	VENT GP-FUEL	150	150	50	0.072	
7	ROLLOVER VALVE		1	33	50	33	24.2	RP5500/RP6500E/RP7500E							
8	CLAMP		2	20	9	10	1.6	RP5500/RP6500E/RP7500E							
16	CLAMP		1	20	8	20	1.6	RP5500/RP6500E/RP7500E							
15	HOSE, AIR CLEANER RUBBER		1	175	38	10	16	RP5500/RP6500E/RP7500E	512-8327	DISPOSAL GP -A	185	105	150	0.5936	
17	COLLECTOR, FUEL STEAM		1	185	105	90	422	RP5500/RP6500E/RP7500E							
18	ASSEMBLY PLATE, FUEL STEAM COLLECTOR		1	102	70	23	136	RP5500/RP6500E/RP7500E							
19	BOLT		2	18	13.5	13.5	6.5	RP5500/RP6500E/RP7500E							
20	NUT		4	15	6	15	6.8	RP5500/RP6500E/RP7500E							



RP7500E CARB

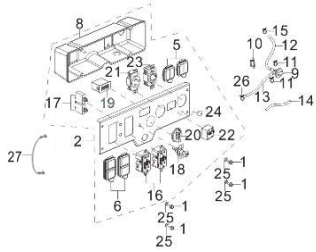
REF.NO.	Description	CAT Part Number	Group QTY	L mm	W mm	H mm	Weight g	Model	CAT Group Part Number	Group Name	L mm	W mm	H mm	Weight kg	Valid From
1	BOLT		2	18	13.5	13.5	6.5	RP6500E/7500E	512-8328	FRAME GP	780	580	530	8.5675	
2	CLIP		2	100	12	2	5	RP6500E/7500E							
3	FRAME ASSY		1	780	530	580	8400	RP7500E							
29	PROTECT RUBBER		1	13	10	10	1	RP6500E/7500E							
30	NYLON NUT		2	8.65	8	5	3	RP6500E/7500E							
31	ISOLATOR		2	11.5	19.5	19.5	5	RP6500E/7500E							
33	RUBBER CUSHION		2	67	34	34	55	RP6500E/7500E							
34	CAP NUT		2	8.7	8.7	5	0.5	RP6500E/7500E							
35	SOUND ABSORBING COTTON		2	50	25	25	0.5	RP6500E/7500E							

RP6500E CARB

1	BOLT		2	18	13.5	13.5	6.5	RP6500E/7500E	512-8329	FRAME GP	780	580	530	8.5675	
2	CLIP		2	100	12	2	5	RP6500E/7500E							
3	FRAME ASSY		1	780	530	580	8400	RP6500E							
29	PROTECT RUBBER		1	13	10	10	1	RP6500E/7500E							
30	NYLON NUT		2	8.65	8	5	3	RP6500E/7500E							
31	ISOLATOR		2	11.5	19.5	19.5	5	RP6500E/7500E							
33	RUBBER CUSHION		2	67	34	34	55	RP6500E/7500E							
34	CAP NUT		2	8.7	8.7	5	0.5	RP6500E/7500E							
35	SOUND ABSORBING COTTON		2	50	25	25	0.5	RP6500E/7500E							

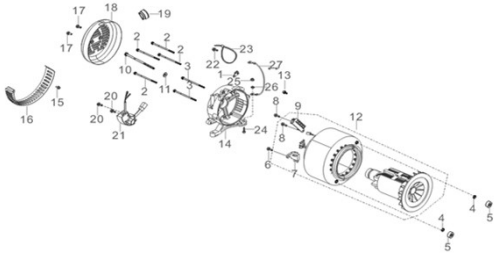
RP6500E CSA Version

FIG.17 PANEL SUBASSEMBLY, CONTROL (F62)



REF.NO.	Description	CAT Part Number	Group QTY	L mm	W mm	H mm	Weight g	Model	CAT Group Part Number	Group Name	L mm	W mm	H mm	Weight kg	Valid From
2	PANEL SUBASSEMBLY, CONTROL	501-5154	1	450	140	150	1958	RP6500E							
8	COVER, PANEL REAR	511-8894	1	392	115	100	224	RP5500/6500E/7500E CSA							
19	TIMER	511-8060	1	56	50	30	75	RP6500E							
20	SWITCH SUBASSEMBLY	511-8054	1	50	45	45	100	RP6500E							
22	BREAKER, DOUBLE-POLE	501-5155	1					RP6500E							
27	GROUND WIRE	530-1269	1					RP8000/RP8000E CSA/EPA/CARB							

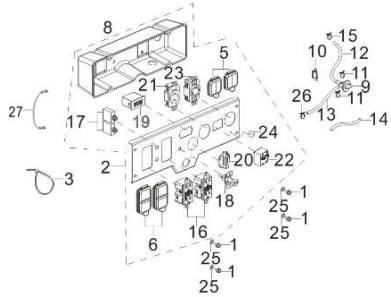
FIG.18 ROTOR/STATOR (F63)



REF.NO.	Description	CAT Part Number	Group QTY	L mm	W mm	H mm	Weight g	Model	CAT Group Part Number	Group Name	L mm	W mm	H mm	Weight kg	Valid From
20	BOLT		2	21	11	11	4	RP5500/6500E/7500E CSA							
21	REGULATOR, VOLTAGE		1	155	65	55	256.8	RP5500/6500E/7500E CSA	530-1263	REGULATOR GP -H	240	65	60	0.257	
28	GEN HEAD ASSY(Include F17-1 to 27)	501-5440	1	400	250	250	31280	RP6500E							

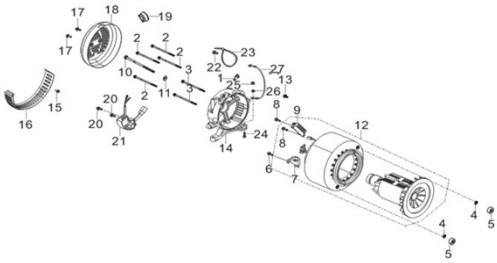
RP7500E CSA Version

FIG.17 PANEL SUBASSEMBLY, CONTROL (F62)



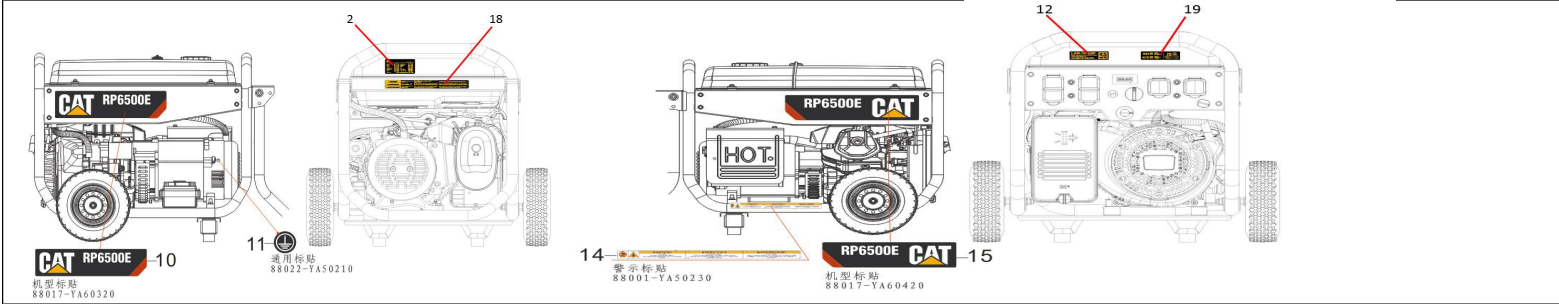
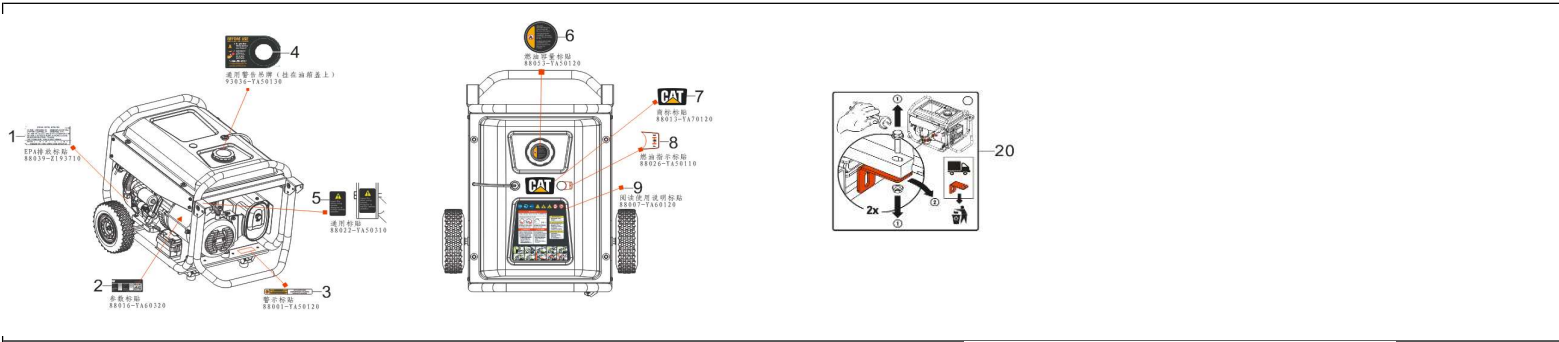
REF.NO.	Description	CAT Part Number	Group QTY	L mm	W mm	H mm	Weight g	Model	CAT Group Part Number	Group Name	L mm	W mm	H mm	Weight kg	Valid From
2	PANEL SUBASSEMBLY, CONTROL	501-5110	1	450	140	150	1958	RP7500E							
8	COVER, PANEL REAR	511-8894	1	392	115	100	224	RP6500E/7500E CSA							
22	CIRCUIT BREAKER, TWO-POLE	501-5111	1					RP7500E							
27	GROUND WIRE	530-1269	1					RP8000/RP8000E CSA/EPA/CARB							

FIG.18 ROTOR/STATOR (F63)

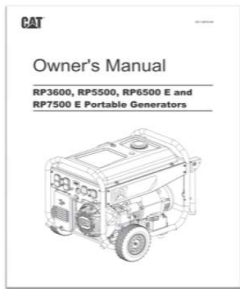


REF.NO.	Description	CAT Part Number	Group QTY	L mm	W mm	H mm	Weight g	Model	CAT Group Part Number	Group Name	L mm	W mm	H mm	Weight kg	Valid From
12	MOTOR ASSY.		1	300	193	193	29000	RP7500E							
20	BOLT		2	21	11	11	4	RP5500/6500E/7500E CSA	530-1263	REGULATOR GP -H	240	65	60	0.257	
21	REGULATOR, VOLTAGE		1	155	65	55	256.8	RP5500/6500E/7500E CSA							
28	GEN HEAD ASSY(Include items 1 - 27)	501-5441	1	400	250	250	31680	RP7500E							

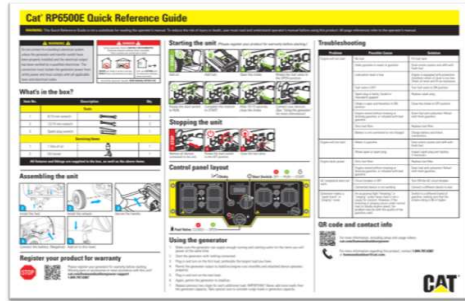
RP6500E FIG.21 DECALS/MANUAL/QSG(E00)



REF.NO.	Description	CAT Part Number	Group QTY	L mm	W mm	H mm	Weight g	Model	CAT Group Part Number	Group Name	L mm	W mm	H mm	Weight kg	Valid From
2	LABEL, SPEC EPA	501-5409	1	114	51			RP6500E							
2	LABEL, SPEC CARB		1	114	51			RP6500E							
3	LABEL, HOT SURFACE		1	135	15										
5	LABEL, HANDLE WARNING		1	45	28										
6	LABEL, FUEL SPEC		1	65	65			RP6500E/RP7500E	501-5121	FILM GP	255	206	10	0.063	
9	LABEL, GENERAL WARNING		1	206	223										
11	LABEL, GROUND		1	11	11										
14	LABEL, HOT EXHAUST		1	255	15										
18	LABEL, COMBINED WARNING	501-5416	1	238	25			RP3600/RP5500/RP6500E/RP7500E							R420-VC1704000201
4	HANGTAG	501-5417	1	202	125			RP3600/RP5500/RP6500E/RP7500E							R420-VC1704000201
7	LABEL, TRADEMARK		1	105	64										
10	LABEL, MODEL LEFT		1	363	90			RP6500E	501-5123	FILM GP	363	90	6	0.057	
15	LABEL, MODEL RIGHT		1	363	90										
17	LABEL, RECOIL LOGO		1	62	38										
8	LABEL, FUEL GAUGE	501-5124	1	28	30			RP3600/RP5500/RP6500E/RP7500E							
12	LABEL, QR CODE		1	87.5	25			RP6500/RP6500E	501-5429	FILM GP	105	25	4	0.004	R420-VC1704000201
19	LABEL, COMBINED WEIGHT & RATING		1	105	25										R420-VC1704000201
20	HANGTAG							RP3600/5500/6500/6500E/7500E							



18

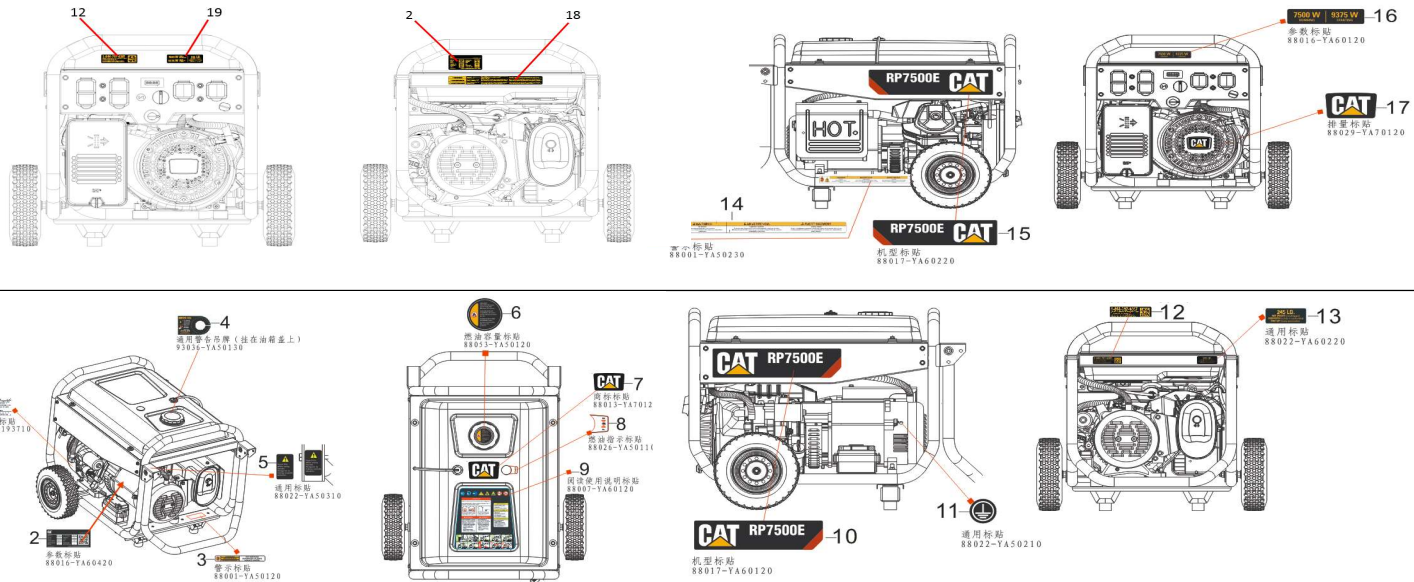


19

REF.NO.	Description	CAT Part Number	Group QTY	L mm	W mm	H mm	Weight g	Model	CAT Group Part Number	Group Name	L mm	W mm	H mm	Weight kg	Valid From
18	MANUAL	501-6075	1	212	275			RP3600/RP5500/RP6500E/RP7500E							
19	QUICK START GUIDE EPA/CARB	501-5132	1	207	142.5			RP6500E							
19	QUICK START GUIDE CSA	501-5126	1	207	142.5			RP6500E							

RP7500E FIG.21 DECALS/MANUAL/QSG(E00)

FIG.21 DECALS/MANUAL/QSG(E00)



REF.NO.	Description	CAT Part Number	Group QTY	L mm	W mm	H mm	Weight g	Model	CAT Group Part Number	Group Name	L mm	W mm	H mm	Weight kg	Valid From
2	LABEL, SPEC EPA	501-5410	1	114	51			RP7500 E							
2	LABEL, SPEC CARB		1	114	51			RP7500 E							

