

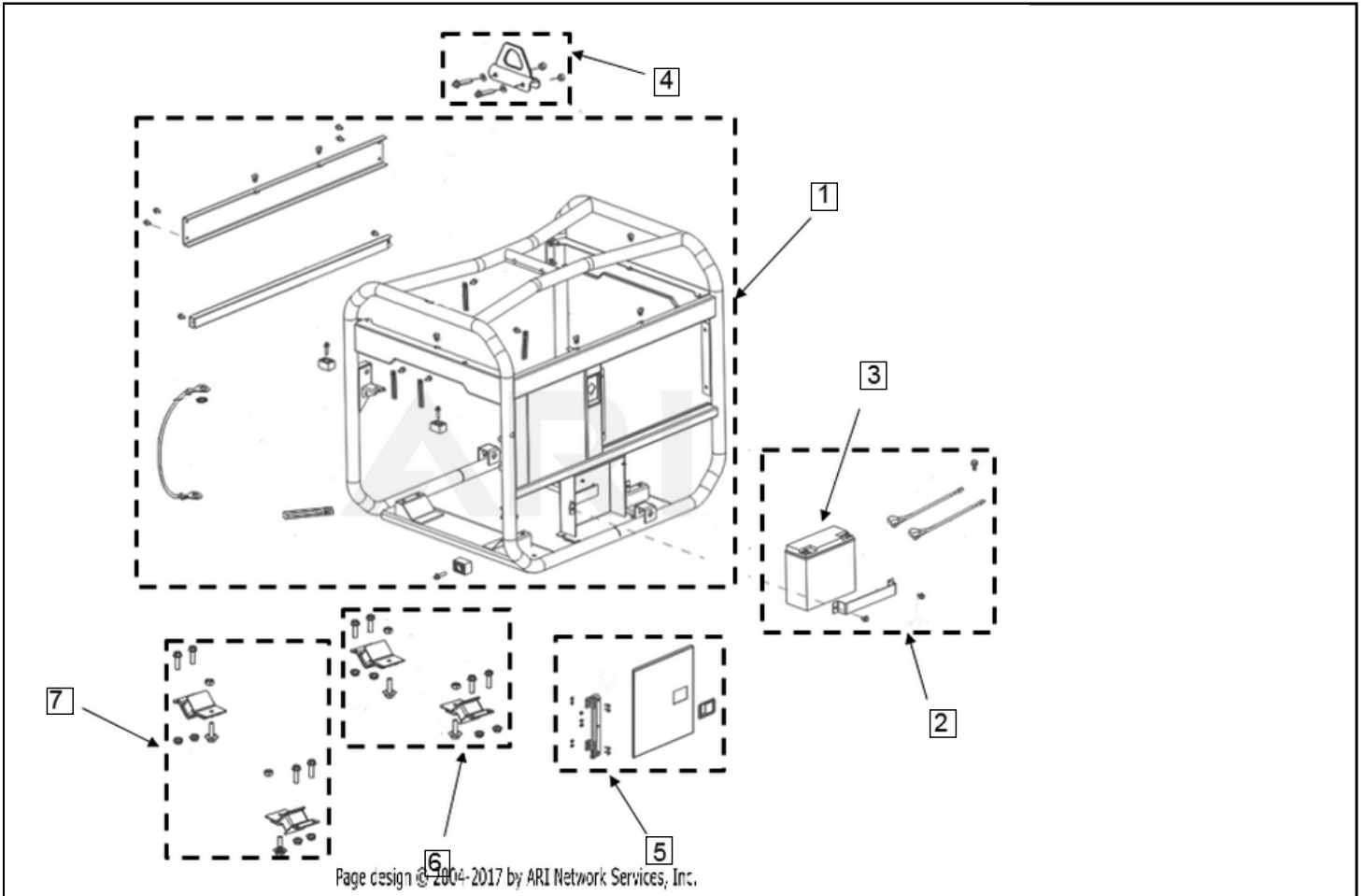
ASSEMBLY

CARB Frame Group

< NEW MODEL

RP12000 E CARB CARB Frame Group

IN OUT



Page design © 2004-2017 by ARI Network Services, Inc.

Click and drag to move diagram view

Tag	Part #	Description	USD	CAD
1	501-5357	CARB Frame Group Includes frame assembly, grounding wire, clips, rubber cushions, sound deadening material, cross rails, and mounting hardware for the CARB version	Call Us	Call Us
2	501-5352	Battery Group Includes battery, mounting plate, positive and negative cables, and mounting hardware	Call Us	Call Us
3	501-5395	Battery Battery for RP12000E	Call Us	Call Us
4	501-5355	Lifting Group Includes lifting eye and mounting hardware	Call Us	Call Us
5	501-5353	Door Group Includes service door, hinge, lock, and mounting hardware	Call Us	Call Us
6	501-5354	Rear Isolator Group Includes rear isolating mounts and mounting hardware	Call Us	Call Us
7	501-5356	Front Isolator Group Includes front isolating mounts and mounting hardware	Call Us	Call Us

Tag	Part #	Description	USD	CAD
N/A	501-5412	Trickle Charger Trickle charger for the RP12000 E	Call Us	Call Us

PRODUCTS

SUPPORT

COMPANY

SOCIAL

[Contact Us](#) | [Cookies](#) | [Legal](#) | [Privacy](#)
Caterpillar© 2020 All Rights Reserved