

ASSEMBLY

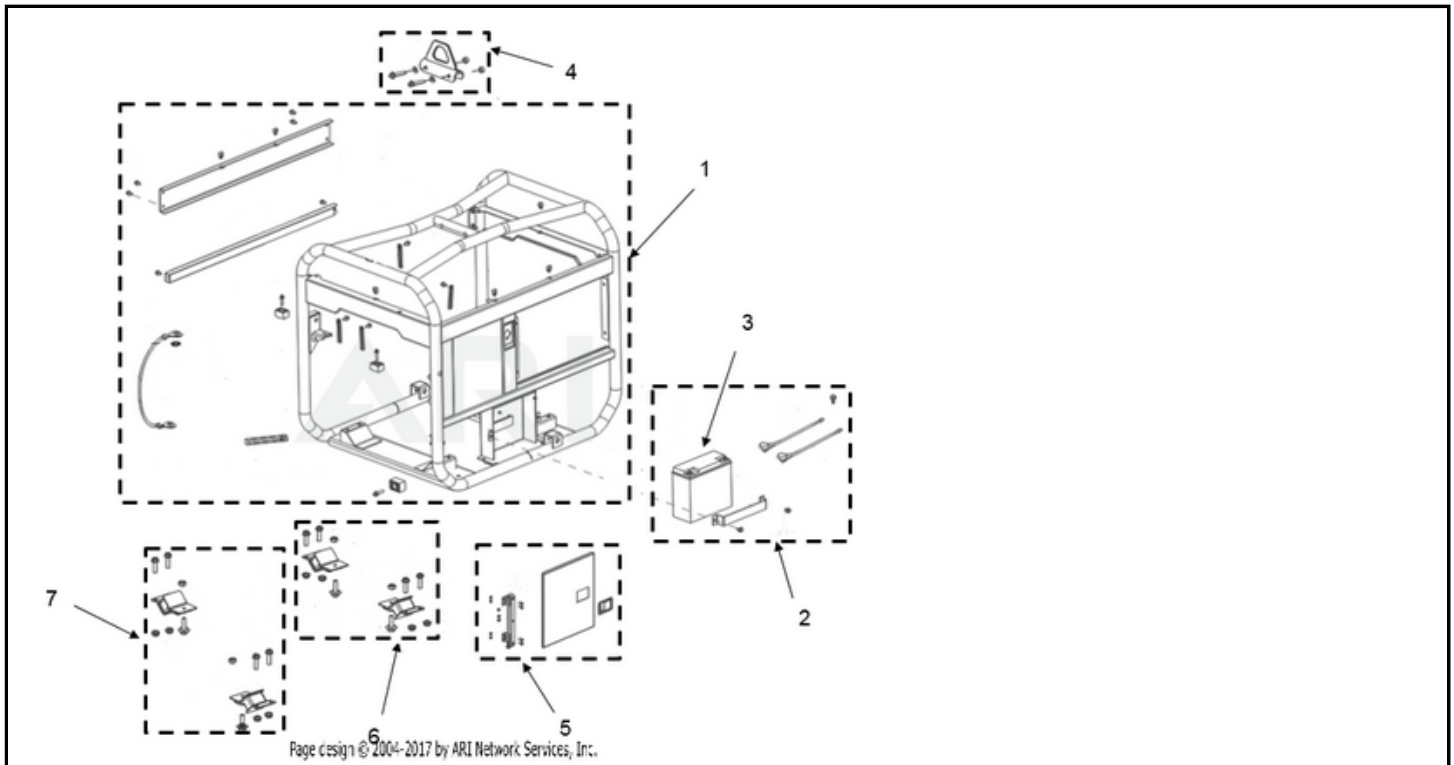
Frame Group

<- NEW MODEL

RP12000 E *Frame Group*

IN

OUT



Click and drag to move diagram view

Tag	Part #	Description	USD	CAD
1	501-5351	Frame Group Includes frame assembly, grounding wire, clips, rubber cushions, sound deadening material, cross rails, and mounting hardware	Call Us	Call Us
2	501-5352	Battery Group Includes battery, mounting plate, positive and negative cables, and mounting hardware	Call Us	Call Us
3	501-5395	Battery Battery for RP12000E	Call Us	Call Us
4	501-5355	Lifting Group Includes lifting eye and mounting hardware	Call Us	Call Us
5	501-5353	Door Group Includes service door, hinge, lock, and mounting hardware	Call Us	Call Us
6	501-5354	Rear Isolator Group Includes rear isolating mounts and mounting hardware	Call Us	Call Us
7	501-5356	Front Isolator Group Includes front isolating mounts and mounting hardware	Call Us	Call Us