

ASSEMBLY

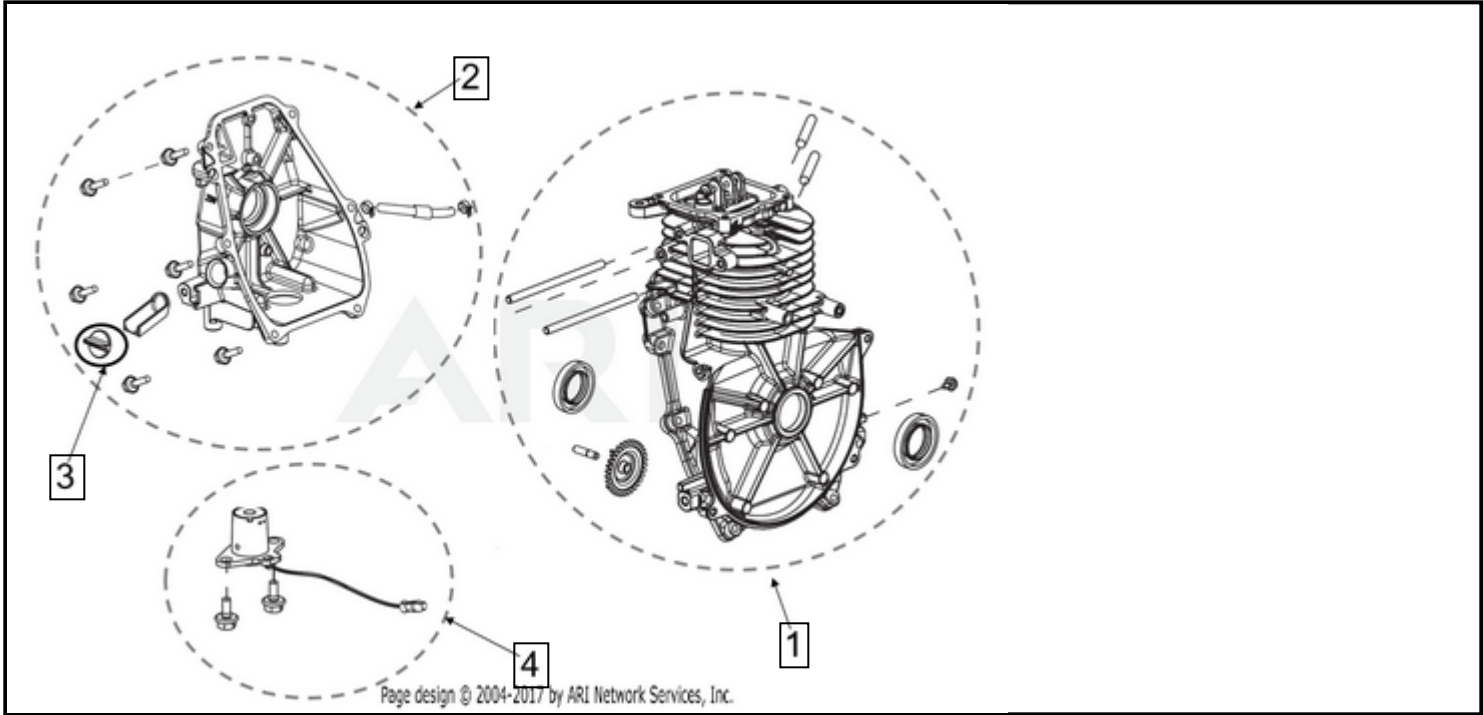
Crankcase Group ▾

<- NEW MODEL

INV1250 *Crankcase Group*

IN

OUT



Page design © 2004-2017 by ARI Network Services, Inc.

Click and drag to move diagram view

Tag	Part #	Description	USD	CAD
1	589-6110	Crankcase Group Includes crankcase, oil mix gear, oil stirring gear shaft, oil seal, and cross pan head screw	Call Us	Call Us
2	589-6112	Crankcase Cover Group Includes crankcase cover, oil dipstick, negative pressure tube assembly, rubber jacket, pin, and hardware	Call Us	Call Us
3	501-5076	Oil Level Gauge Oil cap/ dipstick	Call Us	Call Us
4	589-6113	Oil Level Sensor Group Includes oil sensor and hardware	Call Us	Call Us